



US00D787314S

(12) **United States Design Patent** (10) **Patent No.:** **US D787,314 S**
Sill et al. (45) **Date of Patent:** **** May 23, 2017**

- (54) **CLOSEABLE CONTAINER**
- (71) Applicant: **Inno-Pak, LLC**, Delaware, OH (US)
- (72) Inventors: **Jonathan D. Sill**, Powell, OH (US);
Steven A. Mayer, Indianapolis, IN (US)
- (73) Assignee: **Inno-Pak LLC**, Delaware, OH (US)
- (**) Term: **15 Years**
- (21) Appl. No.: **29/573,472**
- (22) Filed: **Aug. 5, 2016**

- D365,755 S 1/1996 Kanfer et al.
- D372,401 S * 8/1996 Lillelund D7/612
- D401,147 S 11/1998 Miller
- D415,960 S * 11/1999 Majdanski D9/415
- D464,878 S 10/2002 Thompson
- D469,349 S 1/2003 Meeker et al.
- D469,692 S * 2/2003 Meeker D9/431
- D485,172 S 1/2004 Defino
- D519,366 S * 4/2006 Epstein D9/431
- D536,245 S * 2/2007 Bruun D9/422
- D536,612 S * 2/2007 Geurts D9/432
- D578,883 S 10/2008 Kisch
- D580,751 S 11/2008 Blick
- D593,211 S 5/2009 Dewitt
- D595,104 S 6/2009 Goodrich
- D602,353 S 10/2009 Anderson et al.
- D607,987 S 1/2010 Paxton
- D617,636 S 6/2010 Vanhoutte
- D618,543 S 6/2010 Polaski

(Continued)

Related U.S. Application Data

- (60) Division of application No. 29/545,297, filed on Nov. 11, 2015, which is a continuation-in-part of application No. 29/516,707, filed on Feb. 5, 2015, now Pat. No. Des. 774,891.
- (51) **LOC (10) Cl.** **09-03**
- (52) **U.S. Cl.**
USPC **D9/418**
- (58) **Field of Classification Search**
USPC D9/414-419, 499, 431, 432, 420-422;
D19/91; D7/612; 206/589
CPC B65D 5/4204
See application file for complete search history.

Primary Examiner — Rhea Shields

(74) *Attorney, Agent, or Firm* — Ward and Smith, P.A.;
Ryan K. Simmons

(56) **References Cited**

U.S. PATENT DOCUMENTS

- D259,253 S 5/1981 Nelson
- D291,065 S 7/1987 Pugh
- D295,958 S 5/1988 Pugh
- 4,911,298 A 3/1990 Miyagawa
- D309,262 S 7/1990 Coiner
- D332,347 S 1/1993 Raadt
- D332,744 S 1/1993 McCooey
- D333,781 S 3/1993 Kobel

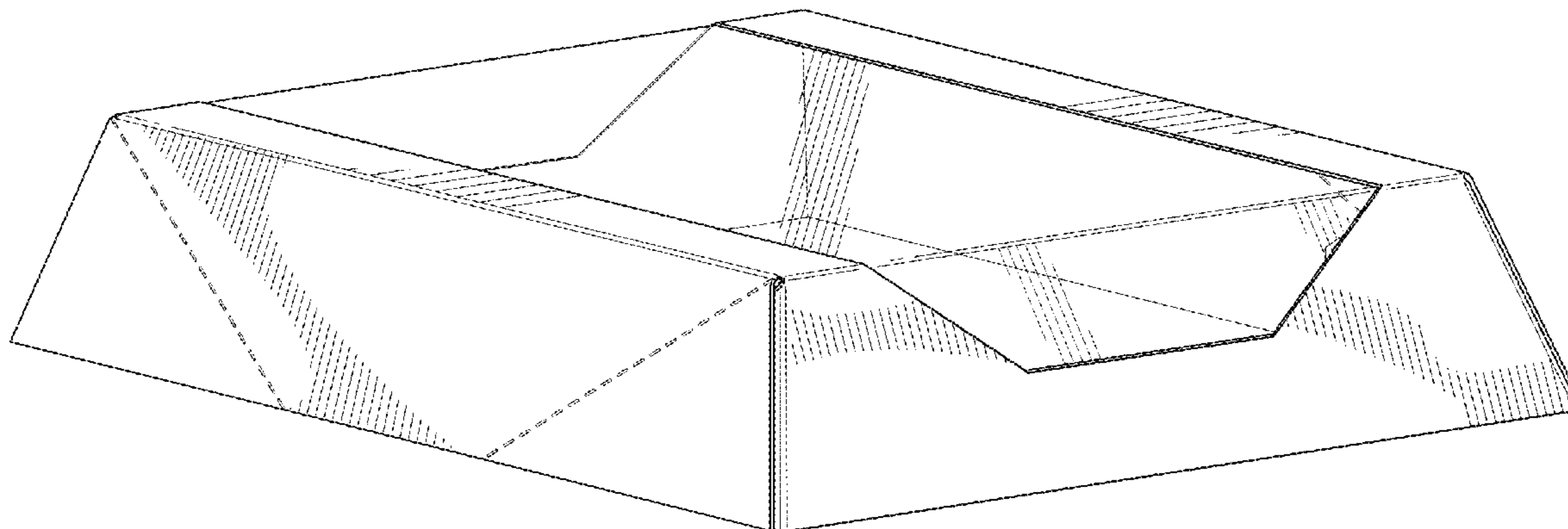
(57) **CLAIM**

The ornamental design for a closeable container, as shown and described.

DESCRIPTION

FIG. 1 is a perspective view of a closeable container showing a new design;
 FIG. 2 is a front elevation view thereof, the rear being a mirror image;
 FIG. 3 is a top plan view thereof;
 FIG. 4 is a bottom plan view thereof; and,
 FIG. 5 is another perspective view thereof, showing the closeable container in an open configuration.
 In FIGS. 1, 3, and 5 the dash-dash dotted lines are for the purpose of illustrating perforations and form part of the claimed design.

1 Claim, 5 Drawing Sheets



(56)

References Cited

U.S. PATENT DOCUMENTS

7,780,004 B2 8/2010 Carlozzi
 D623,939 S 9/2010 Tearle
 D626,831 S 11/2010 Nicholas
 D636,662 S * 4/2011 Ignacio D9/418
 D637,078 S 5/2011 Peng
 D638,702 S 5/2011 Lowery
 D644,099 S 8/2011 Martinez Rodriguez
 D644,508 S 9/2011 Martinez Rodriguez
 D646,964 S 10/2011 Ampadu
 D647,398 S 10/2011 Winkler
 D649,067 S * 11/2011 Birdwell D9/418
 D649,886 S 12/2011 Ocampo
 D651,074 S 12/2011 Lacey
 D655,153 S 3/2012 Mitten
 D668,540 S 10/2012 Lutzig
 D675,092 S * 1/2013 Sill D9/431
 D678,779 S 3/2013 Lee
 D679,950 S 4/2013 Cooper
 D681,444 S 5/2013 Oja et al.
 D688,568 S 8/2013 Noel
 D693,215 S 11/2013 Sill
 D693,216 S * 11/2013 Sill D9/418
 D693,217 S * 11/2013 Sill D9/418

D693,218 S 11/2013 Sill
 D695,104 S * 12/2013 Sill D9/418
 D696,725 S * 12/2013 Sasken-Duff D19/91
 8,607,987 B2 12/2013 Oja et al.
 D706,132 S * 6/2014 Sill D9/432
 D708,511 S 7/2014 Green
 D712,275 S * 9/2014 Irek D9/418
 D713,716 S 9/2014 Oja et al.
 D716,649 S * 11/2014 McAdam D9/418
 D717,162 S 11/2014 Baker
 D717,163 S 11/2014 Paulsen
 D717,645 S 11/2014 Wilmers
 D719,440 S 12/2014 Matloff
 D727,732 S * 4/2015 Petty D9/415
 D728,357 S 5/2015 Pierce
 D729,055 S 5/2015 Lemnios et al.
 D729,058 S 5/2015 Ishikawa
 D739,228 S * 9/2015 Jondal D9/421
 D746,673 S 1/2016 Sanfilippo
 D746,700 S 1/2016 Boehnen et al.
 D753,919 S 4/2016 Parker
 D760,598 S 7/2016 White
 D766,108 S 9/2016 Brown
 2009/0236351 A1 9/2009 Chu et al.
 2015/0344216 A1 * 12/2015 Petty B65D 5/4204
 206/589

* cited by examiner

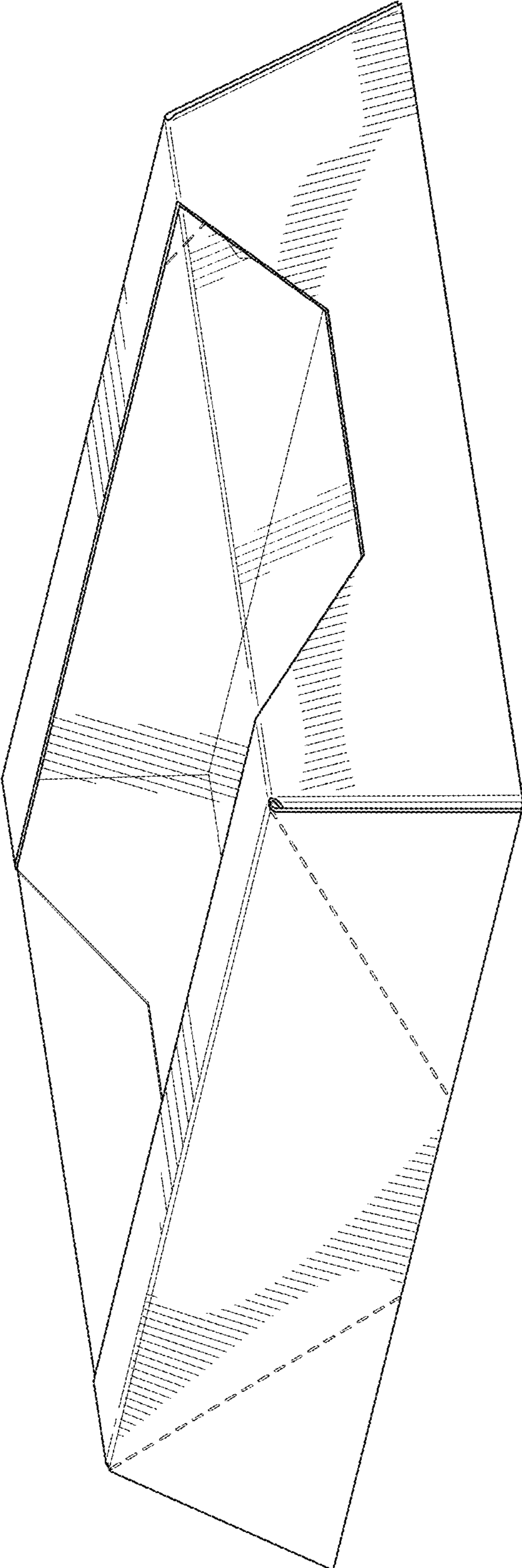


FIG. 1

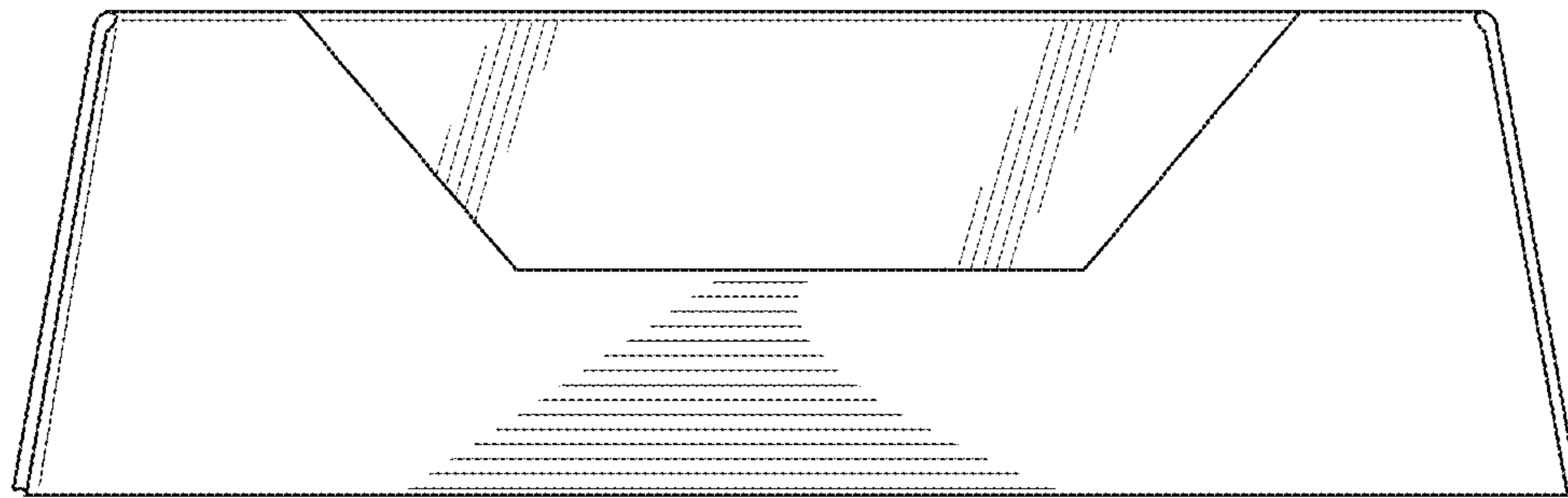


FIG. 2

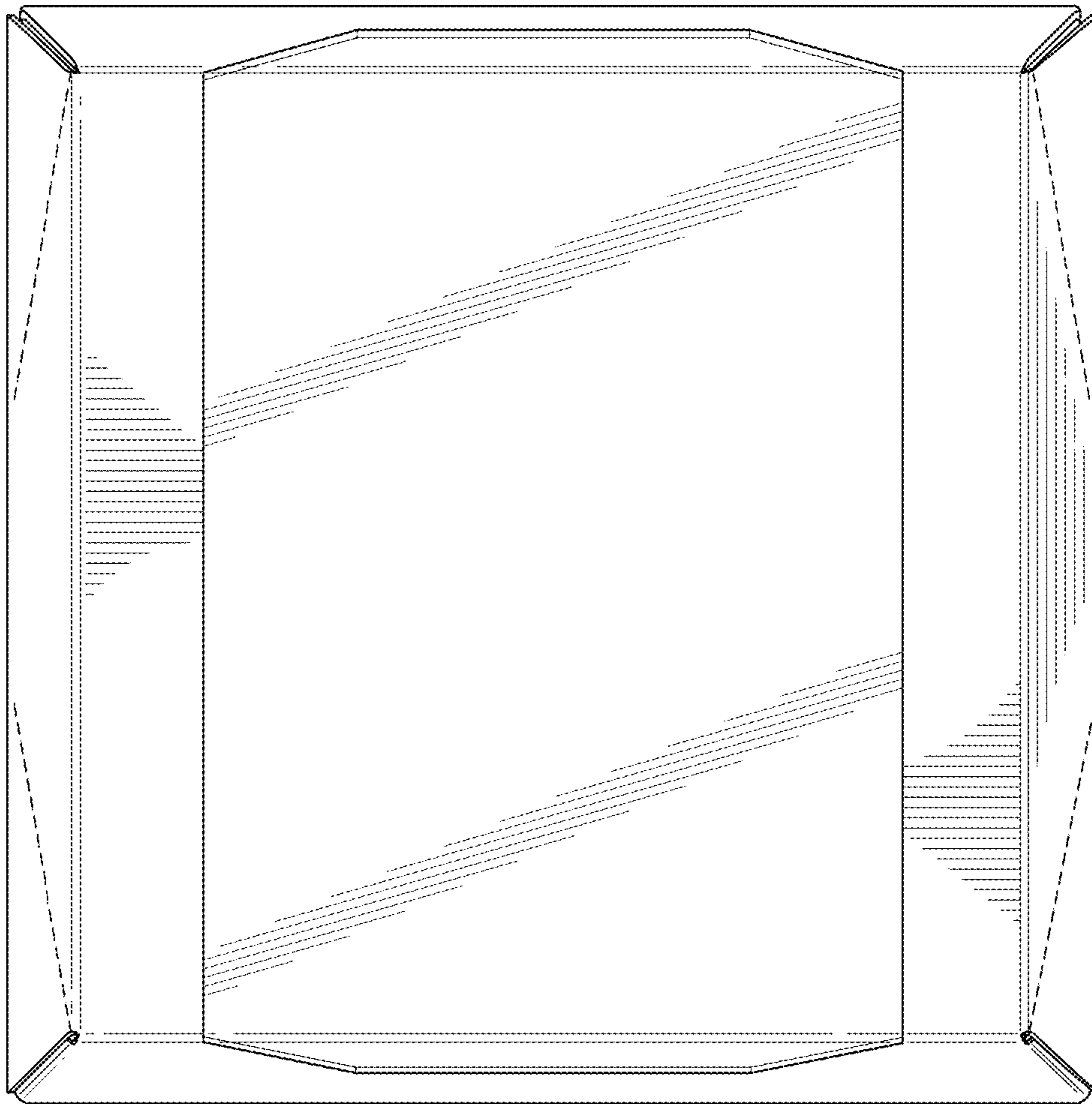


FIG. 3

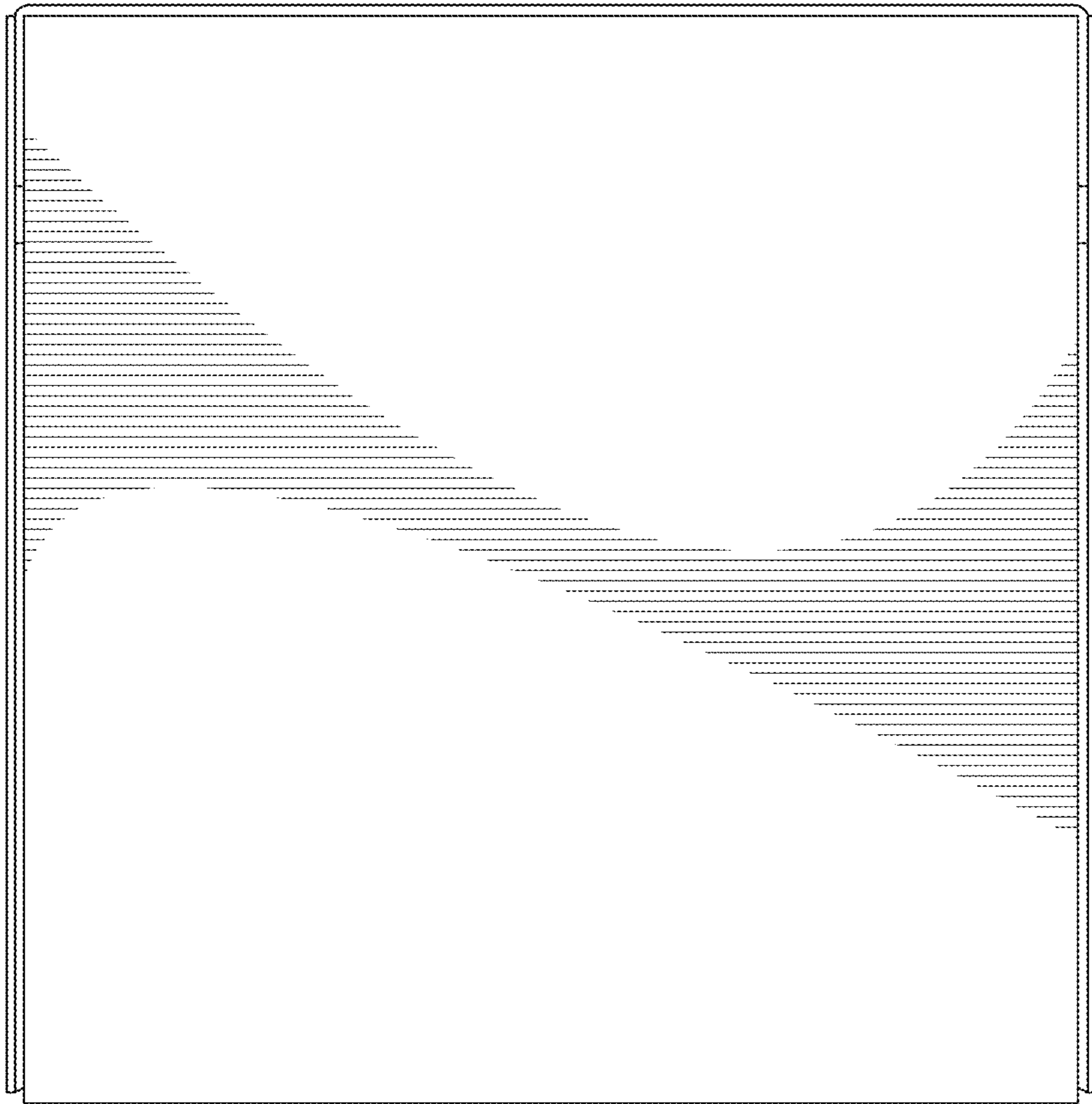


FIG. 4

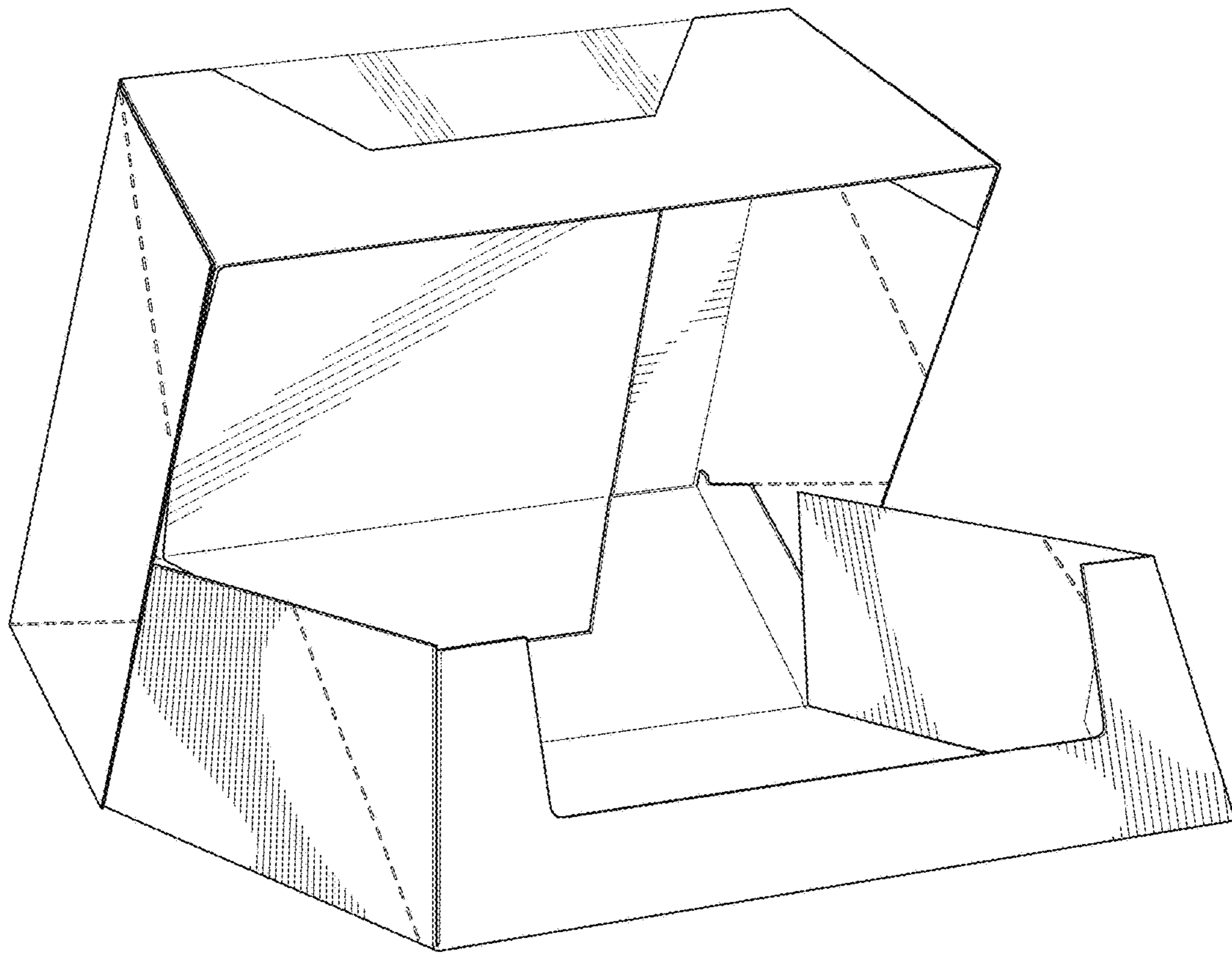


FIG. 5