



US00D787313S

(12) **United States Design Patent** (10) **Patent No.:** **US D787,313 S**
Mayer et al. (45) **Date of Patent:** **** May 23, 2017**

(54) **CLOSEABLE CONTAINER**
 (71) Applicant: **Inno-Pak, LLC**, Delaware, OH (US)
 (72) Inventors: **Steven A. Mayer**, Indianapolis, IN (US); **Jonathan D. Sill**, Powell, OH (US)
 (73) Assignee: **Inno-Pak, LLC**, Delaware, OH (US)

D636,662 S * 4/2011 Ignacio D9/418
 D649,067 S * 11/2011 Birdwell D9/418
 D675,092 S * 1/2013 Sill D9/431
 D678,779 S 3/2013 Lee
 D679,950 S 4/2013 Cooper
 D681,444 S 5/2013 Oja et al.
 D693,215 S 11/2013 Sill
 D693,216 S * 11/2013 Sill D9/418

(Continued)

(**) Term: **15 Years**

(21) Appl. No.: **29/545,304**

(22) Filed: **Nov. 11, 2015**

Related U.S. Application Data

(63) Continuation-in-part of application No. 29/527,085, filed on May 15, 2015, now Pat. No. Des. 762,113.

(51) **LOC (10) Cl.** **09-03**

(52) **U.S. Cl.**
USPC **D9/418**

(58) **Field of Classification Search**
USPC D9/414-419, 499, 431, 432, 422, 421;
D19/91; D7/612; 206/589
CPC B65D 5/4204
See application file for complete search history.

(56) **References Cited**

U.S. PATENT DOCUMENTS

D259,253 S 5/1981 Nelson
 D365,755 S 1/1996 Kanfer et al.
 D372,401 S * 8/1996 Lillelund D7/612
 D415,960 S * 11/1999 Majdanski D9/415
 D469,349 S 1/2003 Meeker et al.
 D469,692 S * 2/2003 Meeker D9/431
 D519,366 S * 4/2006 Epstein D9/431
 D536,245 S * 2/2007 Bruun D9/422
 D536,612 S * 2/2007 Geurts D9/432
 D578,883 S 10/2008 Kisch
 D602,353 S 10/2009 Anderson et al.
 D626,831 S 11/2010 Nicholas

OTHER PUBLICATIONS

Notice of Allowance dated Apr. 18, 2016 from U.S. Appl. No. 29/527,085.

Office Action dated Feb. 1, 2016 from U.S. Appl. No. 29/516,707.

Primary Examiner — Rhea Shields

(74) *Attorney, Agent, or Firm* — Ward and Smith, P.A.;
Ryan K. Simmons

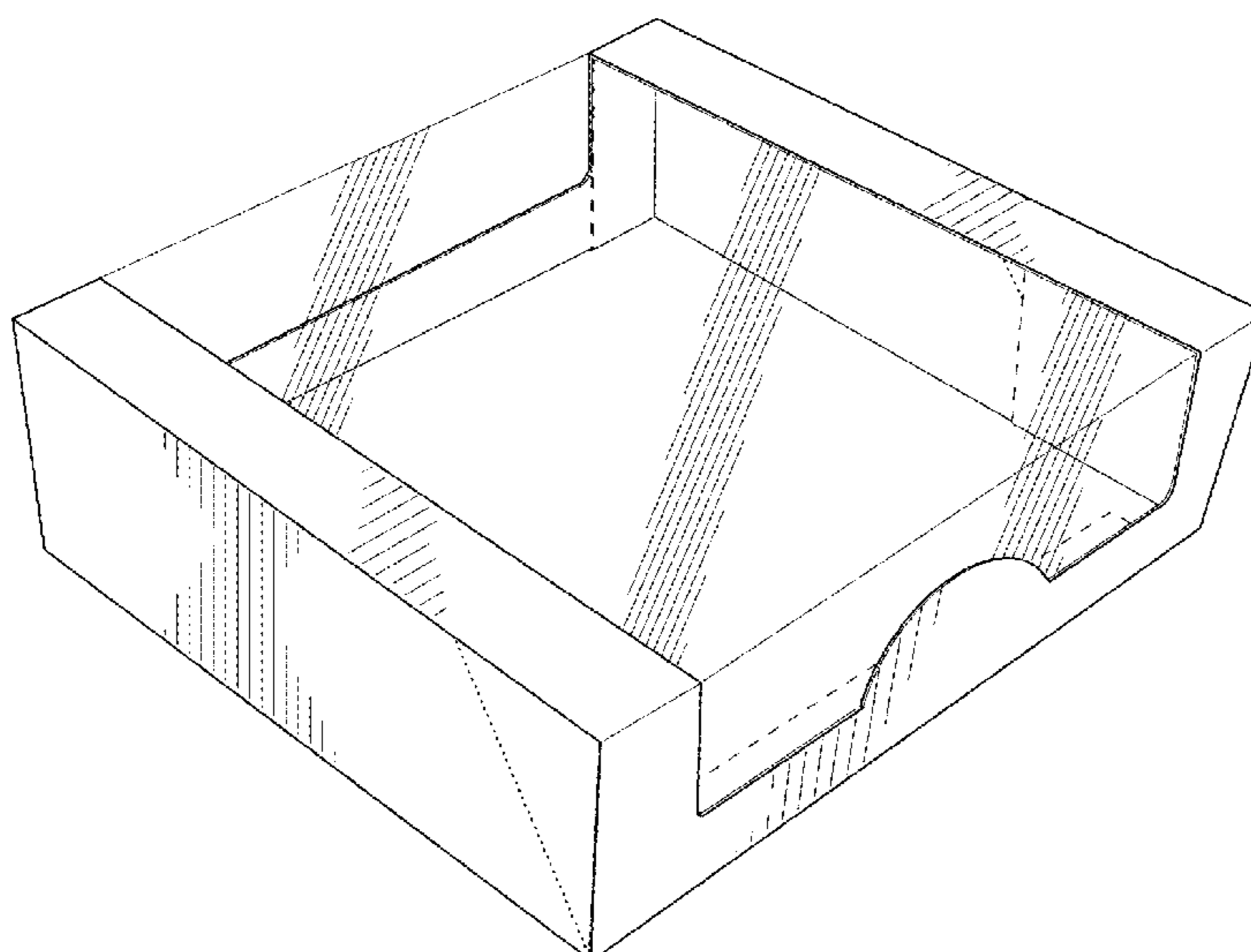
(57) **CLAIM**

The ornamental design for a closeable container, as shown and described.

DESCRIPTION

FIG. 1 is a perspective view of a closeable container in accordance with an embodiment of the invention;
 FIG. 2 is a left side elevation view thereof, the right side being a mirror image;
 FIG. 3 is a front elevation view thereof;
 FIG. 4 is a rear elevation view thereof;
 FIG. 5 is a top plan view thereof;
 FIG. 6 is a bottom plan view thereof; and,
 FIG. 7 is another perspective view thereof, showing the closeable container in an open configuration.
 In FIGS. 1, 2, and 7 the dotted lines are for the purpose of illustrating perforations.
 In FIGS. 1, 5, and 7 the broken lines are for the purpose of illustrating environment only and form no part of the claimed design.

1 Claim, 7 Drawing Sheets



(56)

References Cited

U.S. PATENT DOCUMENTS

| | | | |
|-------------------|---------|-------------------|------------------------|
| D693,217 S * | 11/2013 | Sill | D9/418 |
| D693,218 S | 11/2013 | Sill | |
| D695,104 S * | 12/2013 | Sill | D9/418 |
| D696,725 S * | 12/2013 | Sasken-Duff | D19/91 |
| 8,607,987 B2 | 12/2013 | Oja et al. | |
| D706,132 S * | 6/2014 | Sill | D9/432 |
| D712,275 S * | 9/2014 | Irek | D9/418 |
| D713,716 S | 9/2014 | Oja et al. | |
| D716,649 S * | 11/2014 | McAdam | D9/418 |
| D719,440 S | 12/2014 | Matloff | |
| D727,732 S * | 4/2015 | Petty | D9/415 |
| D729,055 S | 5/2015 | Lemnios et al. | |
| D739,228 S * | 9/2015 | Jondal | D9/421 |
| D746,700 S | 1/2016 | Boehnen et al. | |
| 2009/0236351 A1 | 9/2009 | Chu et al. | |
| 2015/0344216 A1 * | 12/2015 | Petty | B65D 5/4204 206/589 |

* cited by examiner

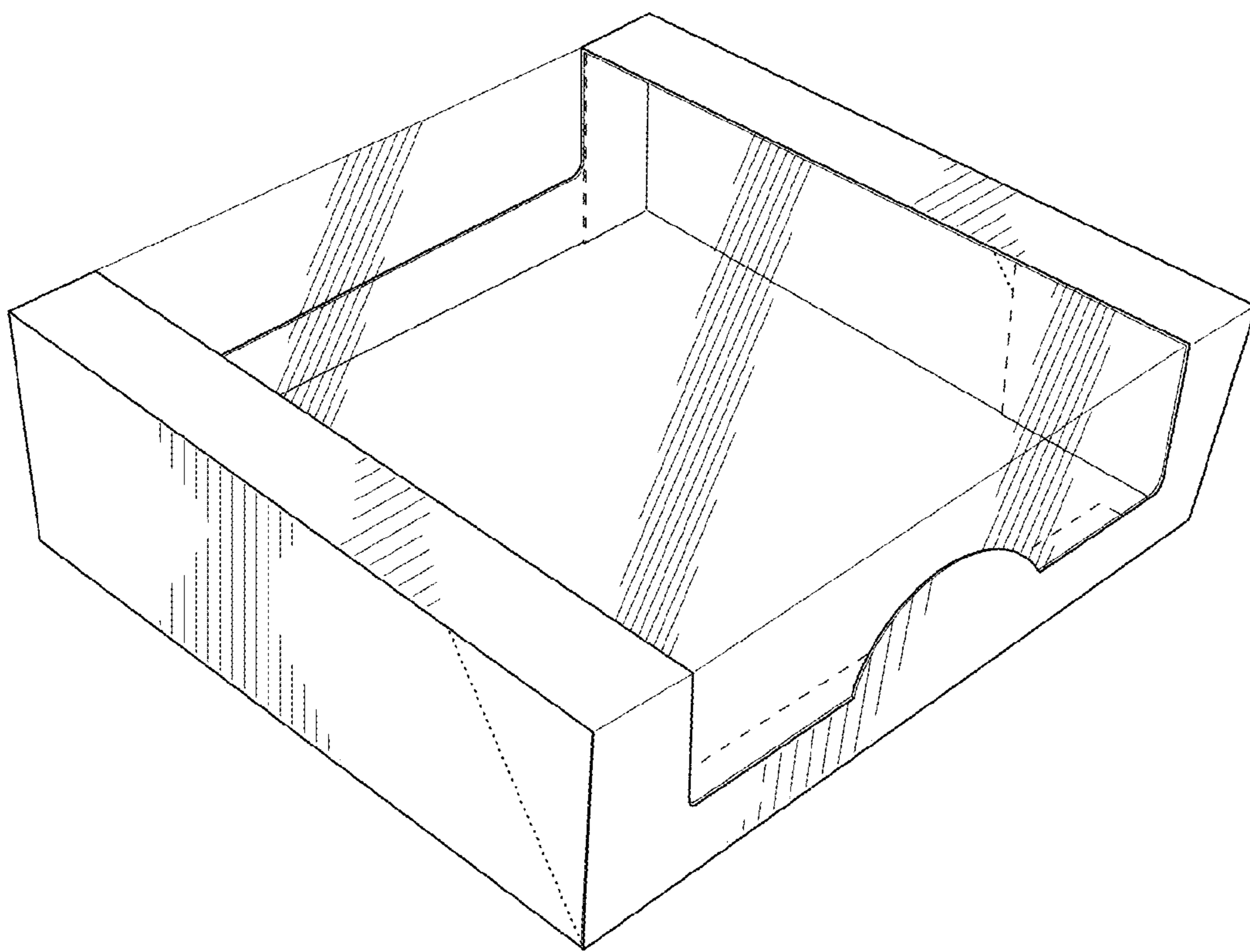


FIG. 1

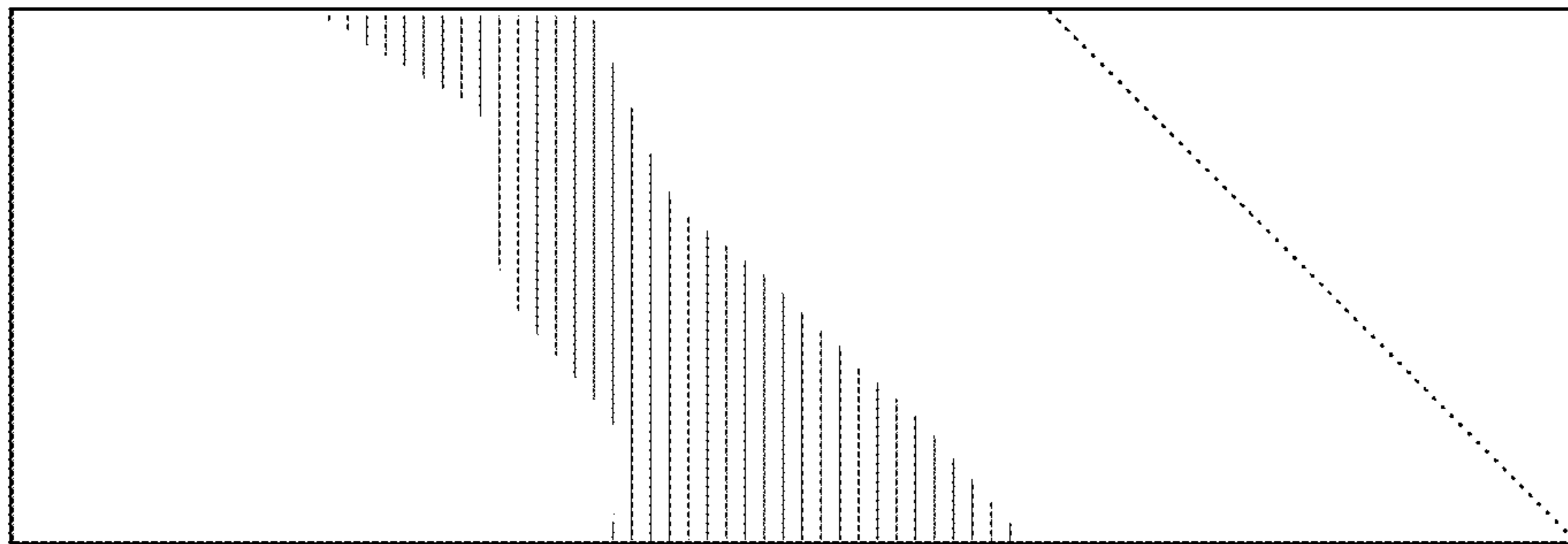


FIG. 2

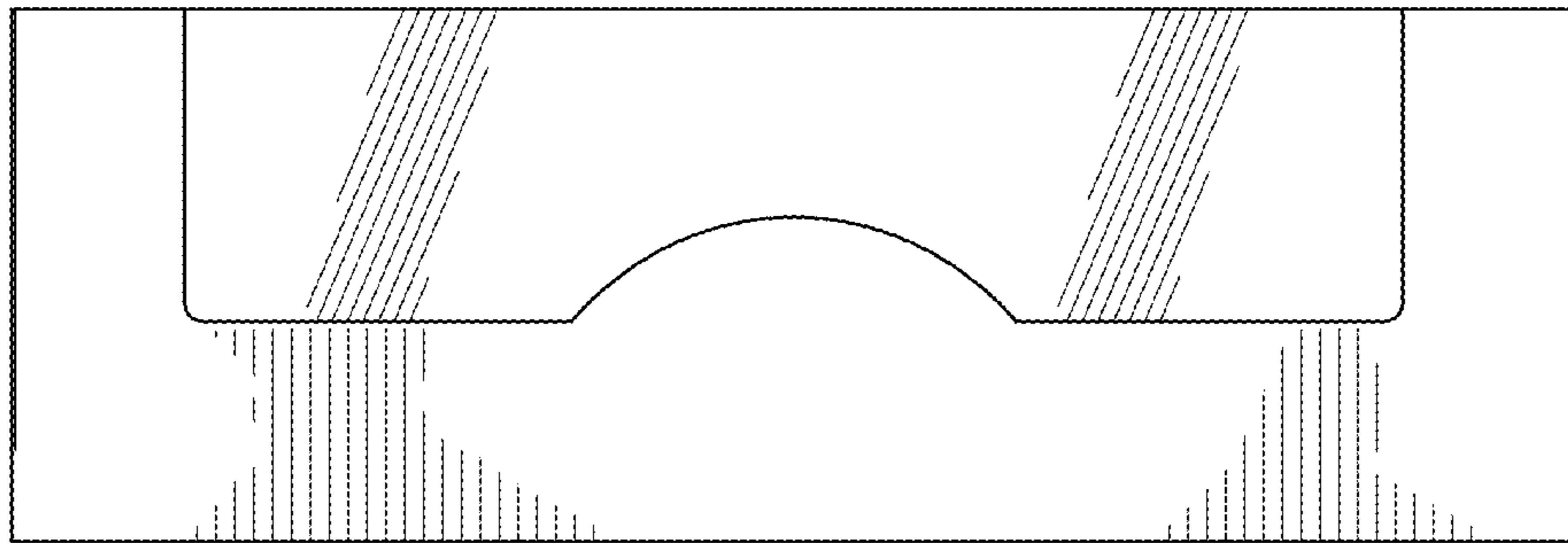


FIG. 3

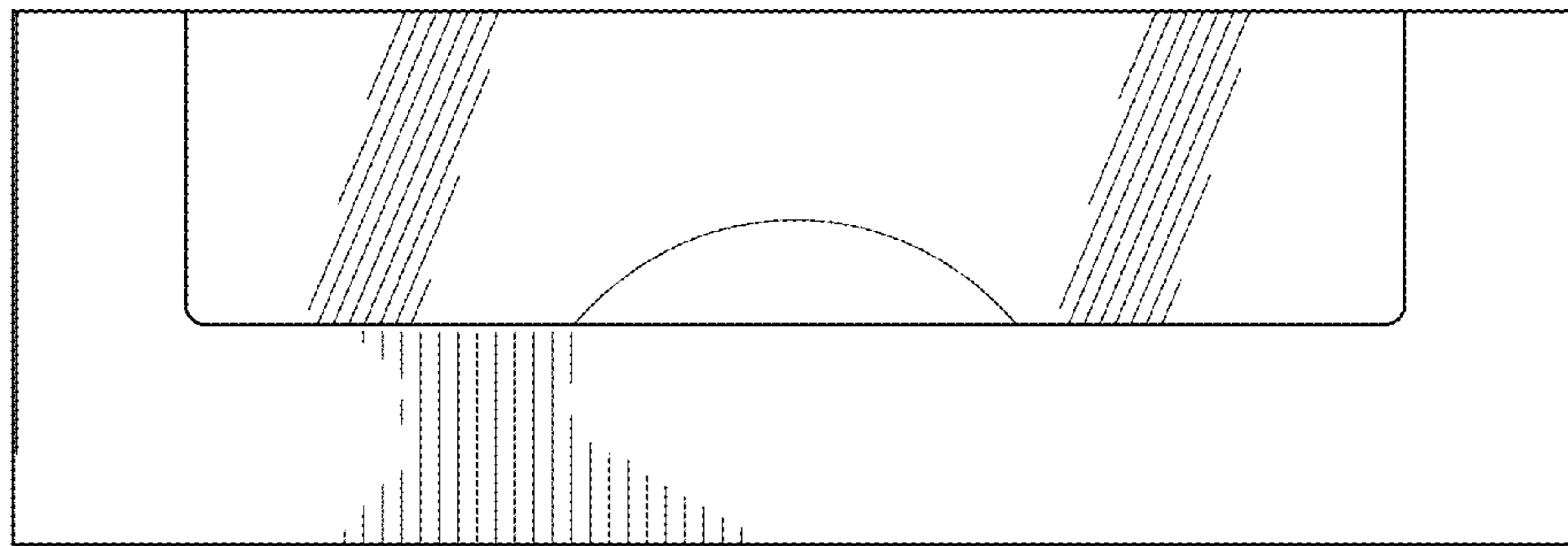


FIG. 4

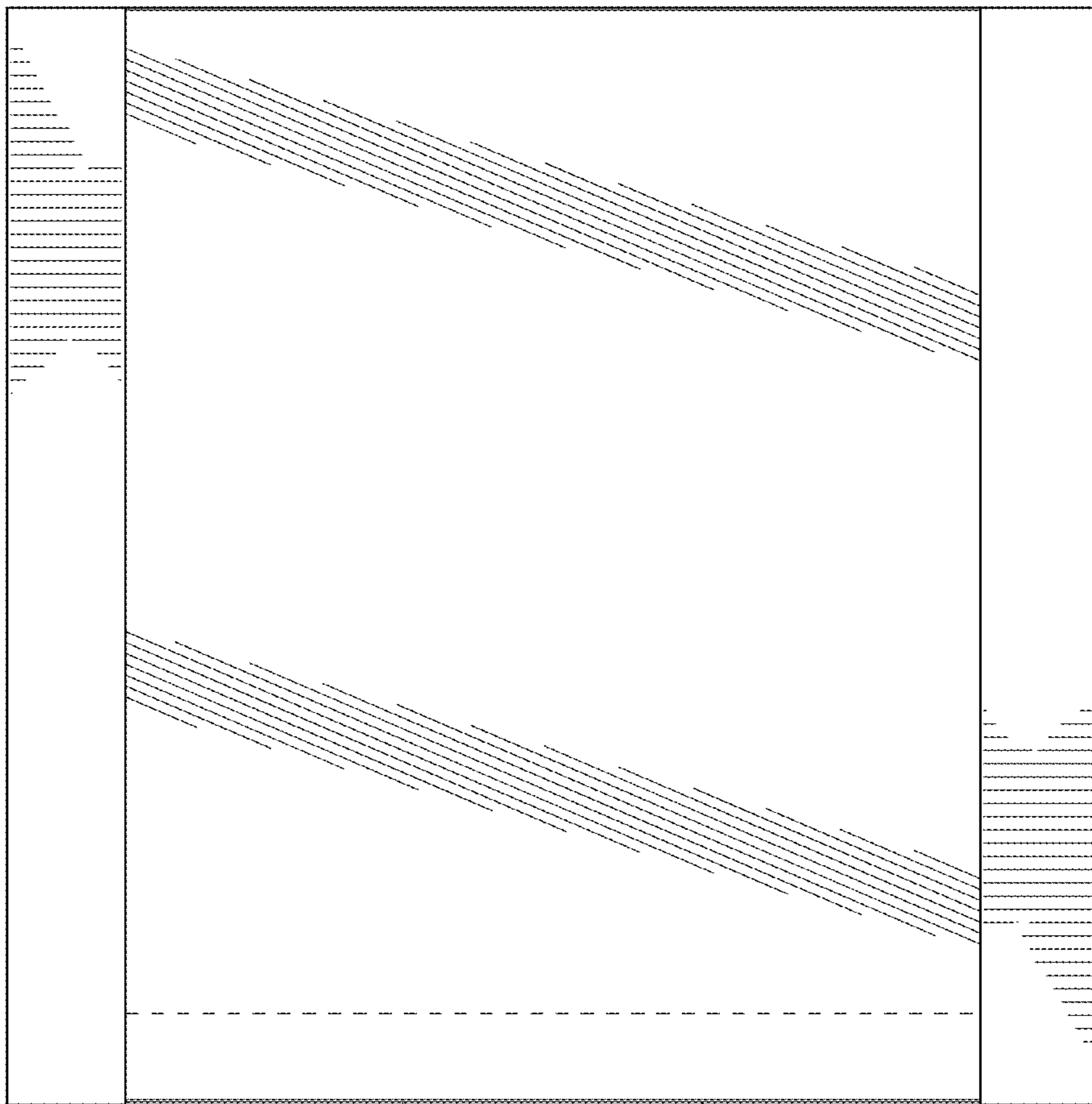


FIG. 5

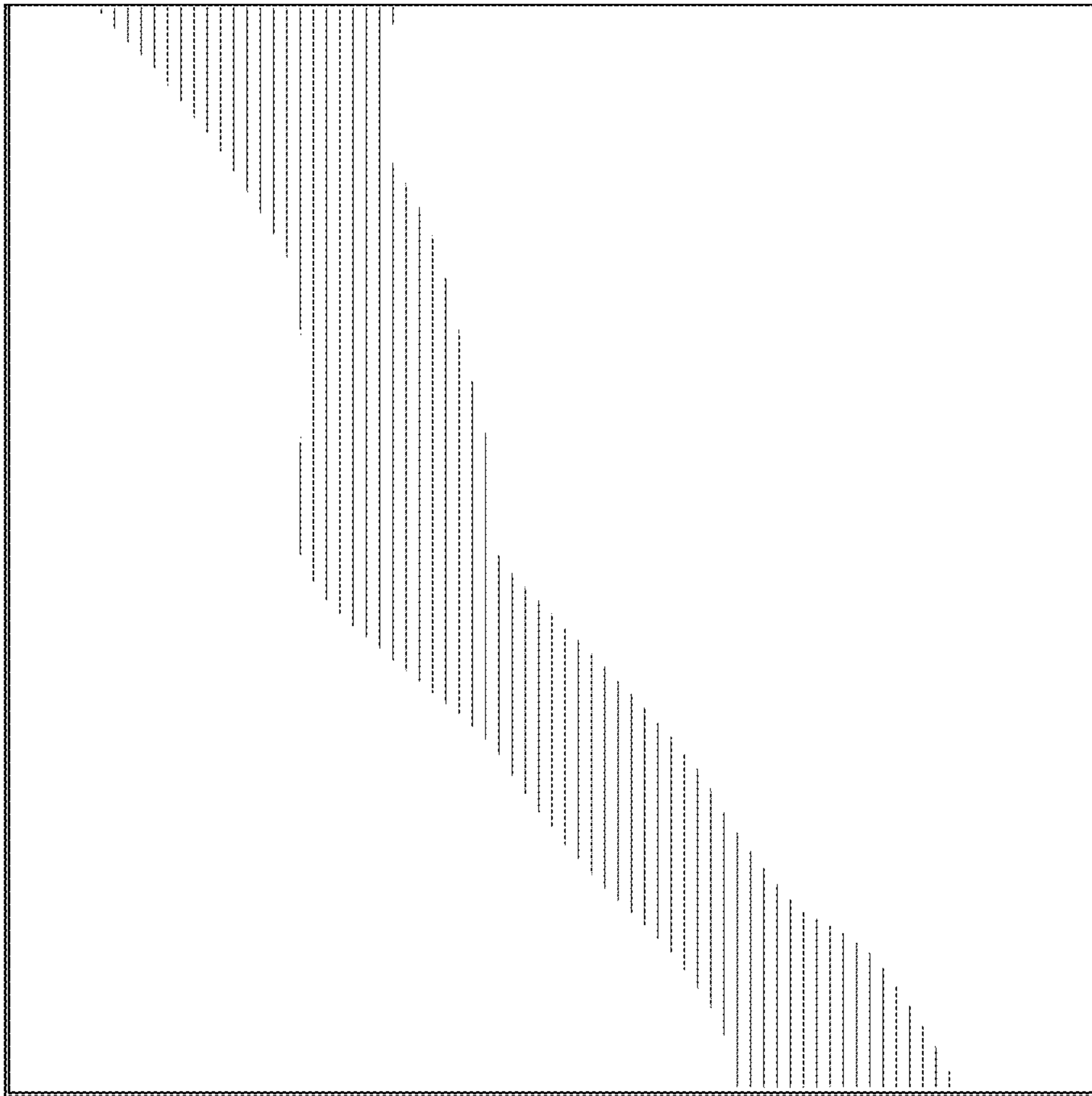


FIG. 6

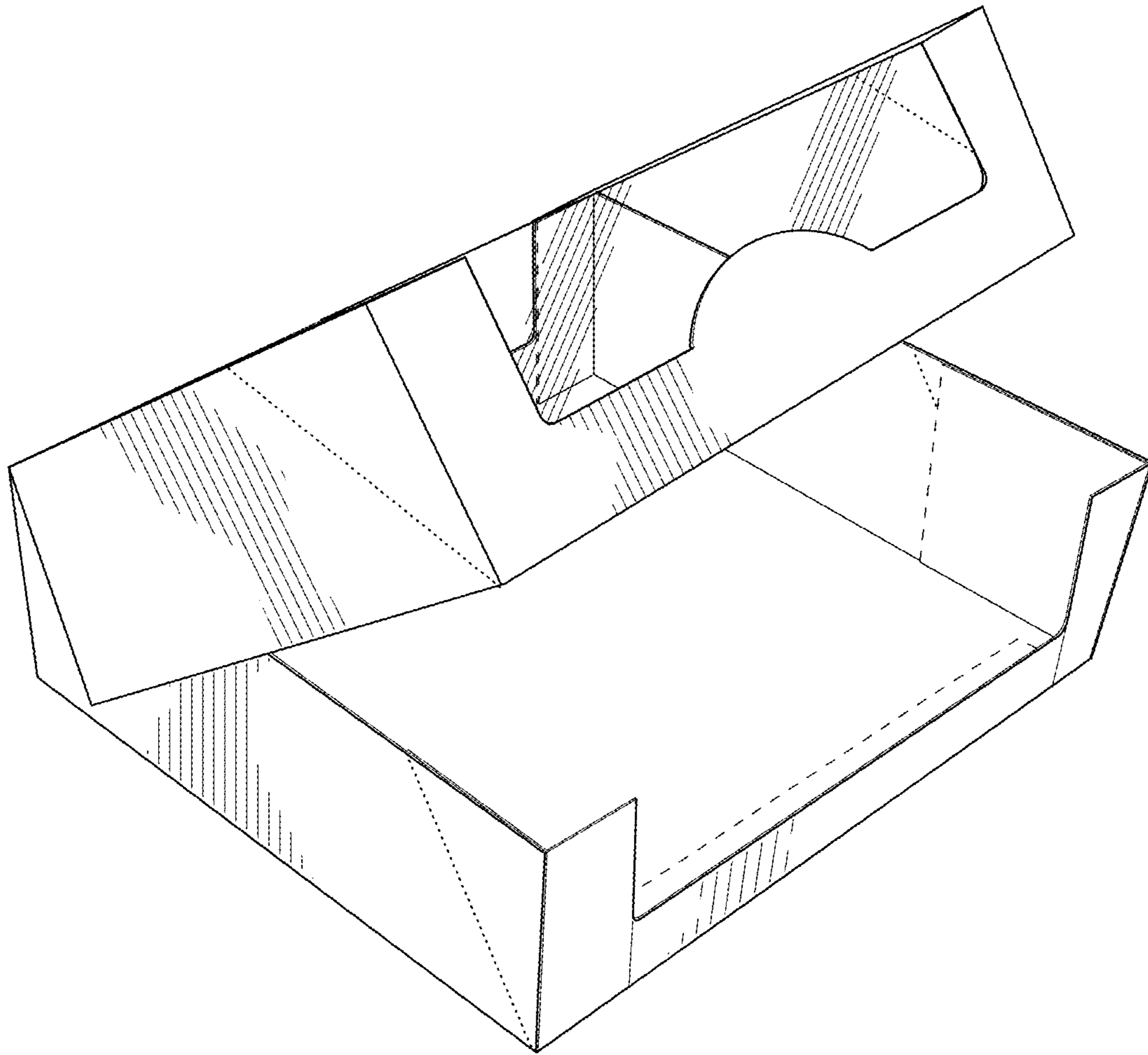


FIG. 7