



US00D787310S

(12) **United States Design Patent**  
**Hiep**

(10) **Patent No.:** **US D787,310 S**

(45) **Date of Patent:** **\*\* May 23, 2017**

(54) **STORAGE DEVICE BLISTER TRAY**

(71) Applicant: **SanDisk Technologies Inc.**, Plano, TX  
(US)

(72) Inventor: **Solivan Hiep**, San Jose, CA (US)

(73) Assignee: **SanDisk Technologies LLC**, Plano, TX  
(US)

(\*\*) Term: **15 Years**

(21) Appl. No.: **29/564,233**

(22) Filed: **May 11, 2016**

(51) **LOC (10) Cl.** ..... **09-03**

(52) **U.S. Cl.**  
USPC ..... **D9/415**

(58) **Field of Classification Search**  
USPC ..... D9/415, 418, 432, 456, 652; D7/602;  
D3/901; 206/363, 467, 469, 570  
CPC .... B65D 1/00; B65D 1/34; B65D 5/00; B29L  
2031/712; B29L 2031/723; B29L  
2031/7146; B29L 2031/7162; B29L  
2031/7164; A61J 1/05  
See application file for complete search history.

(56) **References Cited**

**U.S. PATENT DOCUMENTS**

D292,776	S *	11/1987	Cugley	.....	D9/415
D296,988	S *	8/1988	Yamada	.....	D9/415
D325,526	S *	4/1992	Deguchi	.....	D9/415
D327,425	S *	6/1992	Hamada	.....	D9/415
D420,905	S *	2/2000	Adkins	.....	D9/415
6,024,222	A *	2/2000	Friberg	.....	B65D 75/38 206/469
D423,928	S *	5/2000	Kumakura	.....	D9/415
D438,104	S *	2/2001	Hacker	.....	D9/415
6,578,711	B1 *	6/2003	Chou	.....	B65D 73/0014 206/340

D479,126	S *	9/2003	Kumakura	.....	D9/415
D544,788	S *	6/2007	Brittain	.....	D9/415
7,255,230	B1 *	8/2007	Appelbaum	.....	B65D 73/0057 206/463
D592,947	S *	5/2009	Neves	.....	D9/415
8,091,704	B2 *	1/2012	Trigg	.....	B65D 75/366 206/467
D693,695	S *	11/2013	Limback	.....	D9/652
D703,545	S *	4/2014	Limback	.....	D9/422
8,813,959	B2 *	8/2014	Hansen	.....	B65D 73/0092 206/467
2006/0027480	A1 *	2/2006	Buss	.....	B65D 75/327 206/532

**OTHER PUBLICATIONS**

Application as filed for U.S. Appl. No. 29/564,228 entitled, "Storage Device Blister Tray", filed May 11, 2016, 5 pages.

(Continued)

*Primary Examiner* — Wan Laymon

*Assistant Examiner* — Clint A Samuel

(74) *Attorney, Agent, or Firm* — Brinks Gilson & Lione

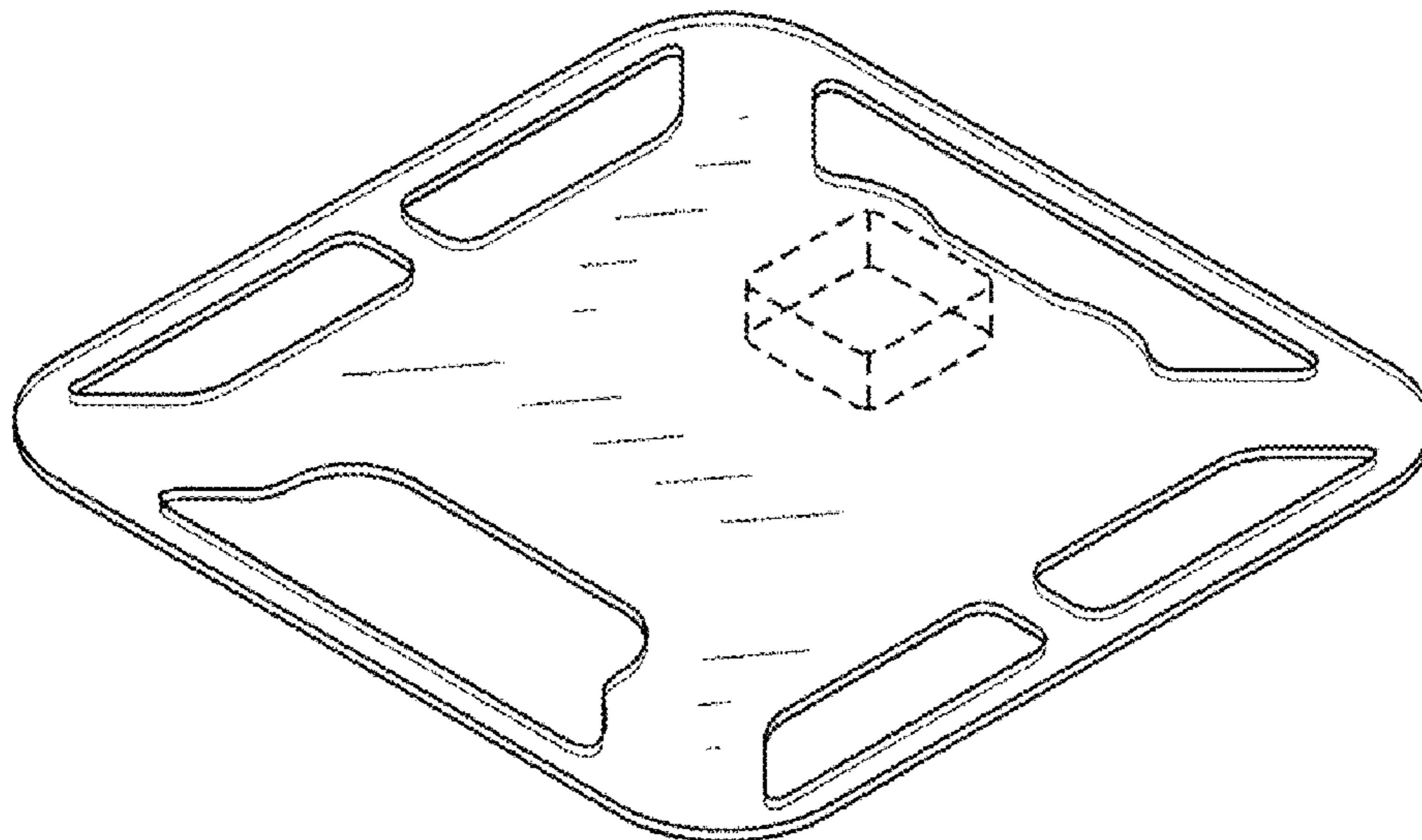
(57) **CLAIM**

The ornamental design for a storage device blister tray, substantially as shown and described.

**DESCRIPTION**

FIG. 1 is a front perspective view of a storage device blister tray of my new design;  
FIG. 2 is a top plan view thereof; a bottom plan view thereof is an identical image;  
FIG. 3 is a front elevation view thereof; a rear elevation view thereof is an identical image;  
FIG. 4 is a left side elevation view thereof; and,  
FIG. 5 is a right side elevation view thereof.  
The broken lines are for illustrative purposes only and form no part of the claimed design.

**1 Claim, 2 Drawing Sheets**



(56)

**References Cited**

OTHER PUBLICATIONS

Application as filed for U.S. Appl. No. 29/564,230 entitled, "Storage Device Blister Tray", filed May 11, 2016, 9 pages.

Application as filed for U.S. Appl. No. 29/564,232 entitled, "Storage Device Blister Tray", filed May 11, 2016, 9 pages.

"Q-tips Cotton Swabs, 750 count" <http://www.walmart.com/ip/Q-Tips-Cotton-Swabs-750-count/19399928>, dated May 9, 2016, one page.

Office Action for U.S. Appl. No. 29/564,230, dated Jan. 25, 2017, 10 pages.

Office Action for U.S. Appl. No. 29/564,232, dated Jan. 25, 2017, 9 pages.

Notice of Allowance for U.S. Appl. No. 29/564,228, dated Jan. 25, 2017, 7 pages.

\* cited by examiner

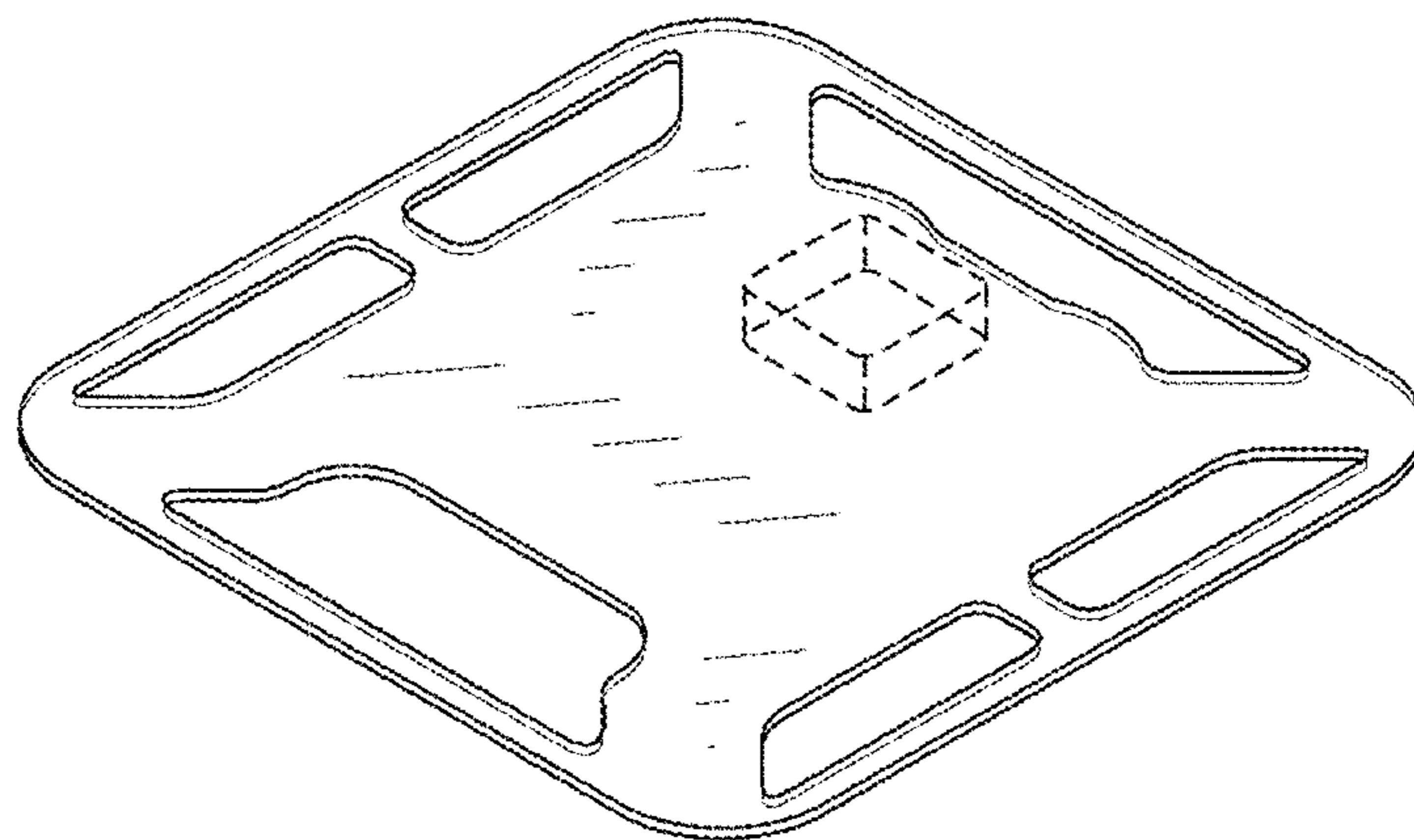


FIG. 1

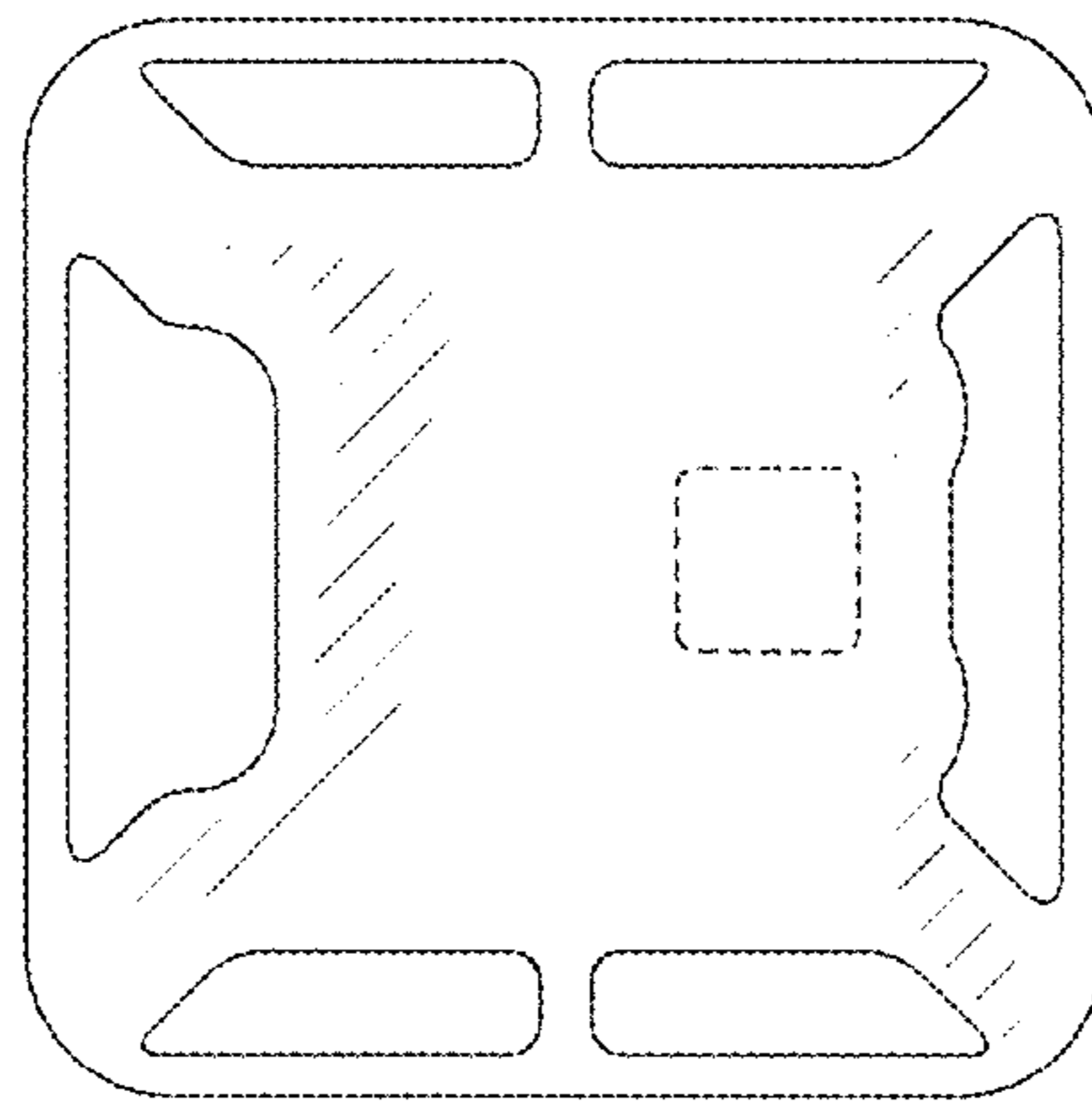


FIG. 2

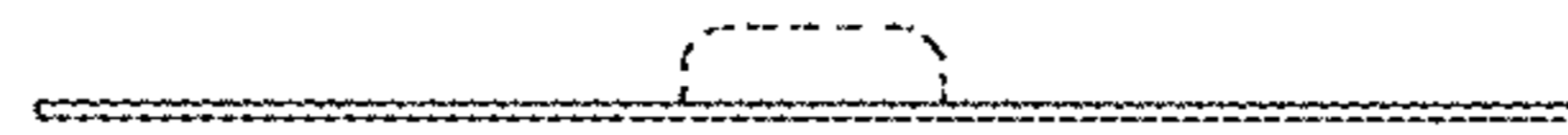


FIG. 3

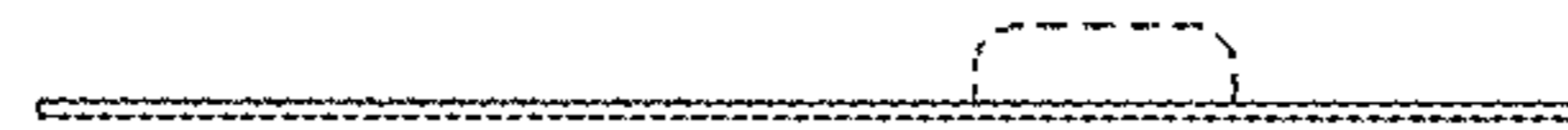


FIG. 4



FIG. 5