



US00D787308S

(12) **United States Design Patent** (10) **Patent No.:** **US D787,308 S**
Kawashima et al. (45) **Date of Patent:** **** May 23, 2017**

(54) **WIPER BLADE PACKAGE**
(71) Applicant: **Pylon Manufacturing Corp.**, Deerfield Beach, FL (US)
(72) Inventors: **Hiroshi Kawashima**, Sunrise, FL (US); **Robert Peter Peers**, Boca Raton, FL (US)
(**) Term: **14 Years**
(21) Appl. No.: **29/504,292**
(22) Filed: **Oct. 3, 2014**
(51) **LOC (10) Cl.** **09-03**
(52) **U.S. Cl.**
USPC **D9/415**
(58) **Field of Classification Search**
USPC D9/414-418, 711, 431, 722, 420; 206/470
CPC B65D 75/366; B65D 75/305
See application file for complete search history.

3,082,464 A 3/1963 Smithers
3,088,155 A 5/1963 Smithers
3,089,174 A 5/1963 Bignon
(Continued)

Primary Examiner — Rhea Shields
(74) *Attorney, Agent, or Firm* — Cozen O'Connor

(57) **CLAIM**
We claim the ornamental design for a wiper blade package, as shown and described.

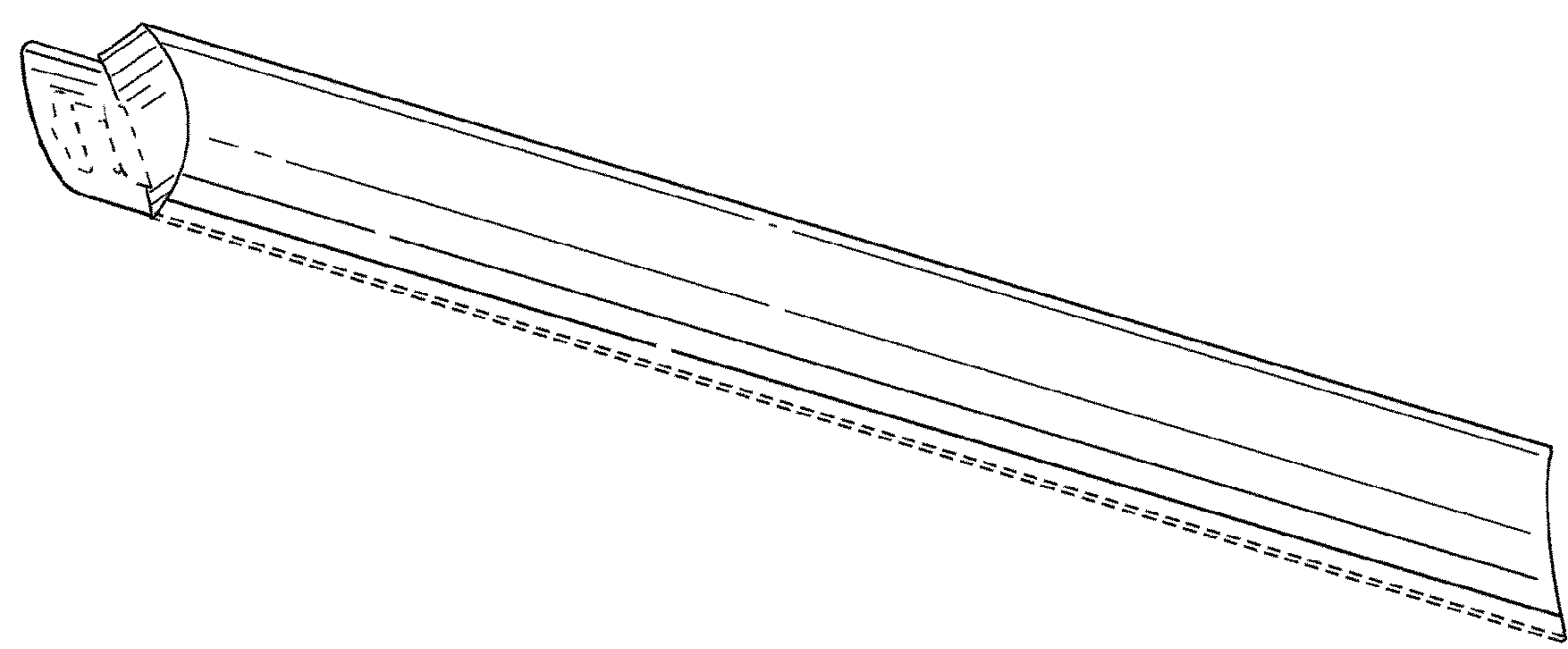
DESCRIPTION

FIG. 1 is a perspective view of the wiper blade package in closed position, from the front and above.
FIG. 2 is a front-side view of the wiper blade package in closed position.
FIG. 3 is a back-side view of the wiper blade package in closed position.
FIG. 4 is a left-side view of the wiper blade package in closed position.
FIG. 5 is a right-side view of the wiper blade package in closed position.
FIG. 6 is a top-side view of the wiper blade package in closed position.
FIG. 7 is a bottom-side view of the wiper blade package in closed position.
FIG. 8 is a back-side view of the top portion of the wiper blade package in closed position.
FIG. 9 is a front-side view of the top portion of the wiper blade package in closed position.
FIG. 10 is a perspective view of the wiper blade package in closed position cover from the front and below.
FIG. 11 is a perspective view of the wiper blade package in open position cover from the front and above; and,
FIG. 12 is a perspective view of the wiper blade package in closed position cover from the front and below.
In FIGS. 8 and 9 the package is shown with a symbolic break in its length. Throughout the drawings, the broken lines are for the purpose of illustrating environment only and form no part of the claimed design.

(56) **References Cited**
U.S. PATENT DOCUMENTS

D56,762 S	12/1920	Minier
2,550,094 A	4/1951	Smulski
2,589,339 A	3/1952	Carson
2,616,112 A	11/1952	Smulski
2,643,411 A	6/1953	Nesson
2,658,223 A	11/1953	Enochian
2,799,887 A	7/1957	Nemic
2,801,436 A	8/1957	Scinta
2,814,820 A	12/1957	Elliot et al.
2,890,472 A	6/1959	Olson
2,932,843 A	4/1960	Zaiger et al.
2,937,393 A	5/1960	Brueder
2,946,078 A	7/1960	Deibel et al.
3,029,460 A	4/1962	Hoyler
3,037,233 A	6/1962	Peras et al.
3,056,991 A	10/1962	Smithers

1 Claim, 6 Drawing Sheets



(56)

References Cited

U.S. PATENT DOCUMENTS

3,104,412 A	9/1963	Hinder	D298,926 S	12/1988	Rusnak
3,116,510 A	1/1964	Oishei et al.	4,807,326 A	2/1989	Arai et al.
3,132,367 A	5/1964	Wise	D301,329 S	5/1989	Cavicchioli
3,139,644 A	7/1964	Smith	4,852,206 A	8/1989	Fisher
3,147,506 A	9/1964	Williams	D304,709 S	11/1989	Sussich
3,147,507 A	9/1964	Glynm	D307,408 S	4/1990	Mower et al.
3,192,551 A	7/1965	Appel	D308,352 S	6/1990	Bradley
3,234,578 A	2/1966	Golub et al.	D308,660 S	6/1990	Fisher
3,296,647 A	1/1967	Gumbleton	D308,845 S	6/1990	Charet et al.
3,317,945 A	5/1967	Ludwig	D310,193 S	8/1990	Charet
3,317,946 A	5/1967	Anderson	4,971,472 A	11/1990	Pethers
3,350,738 A	11/1967	Anderson	4,976,001 A	12/1990	Wright
D211,570 S	7/1968	Tomlin	4,984,325 A	1/1991	Arai et al.
3,405,421 A	10/1968	Tomlin	4,989,290 A	2/1991	Hoshino
3,418,679 A	12/1968	Barth et al.	5,042,106 A	8/1991	Maubray
3,480,986 A	12/1969	Forster	5,056,183 A	10/1991	Haney, III
3,588,941 A	6/1971	Schlesinger	5,062,176 A	11/1991	Unterborn et al.
3,588,942 A	6/1971	Schlesinger	D322,053 S	12/1991	Bradley
3,618,155 A	11/1971	Mower	D322,772 S	12/1991	Leu et al.
3,665,544 A	5/1972	Sakamoto	D322,952 S	1/1992	Wu
3,673,631 A	7/1972	Yamadai et al.	5,082,078 A	1/1992	Umeda et al.
3,685,086 A	8/1972	Frohlich	D323,637 S	2/1992	Dipple
3,751,754 A	8/1973	Quinlan et al.	D324,014 S	2/1992	Ruminer
3,757,377 A	9/1973	Hayhurst	5,084,933 A	2/1992	Buechele
3,780,395 A	12/1973	Quinlan et al.	5,086,534 A	2/1992	Journee
3,857,741 A	12/1974	Hultgren et al.	D324,359 S	3/1992	Chen
3,862,465 A	1/1975	Ito	D324,667 S	3/1992	Williams
3,872,537 A	3/1975	Bianchi	5,093,954 A	3/1992	Kuzuno
3,879,793 A	4/1975	Schlegel	D327,013 S *	6/1992	Reighart D9/415
3,881,213 A	5/1975	Tilli	D327,461 S	6/1992	Nelson
3,881,214 A	5/1975	Palu	5,123,140 A	6/1992	Raymond
D236,337 S	8/1975	Deibel	D327,667 S	7/1992	Mar
3,942,212 A	3/1976	Steger et al.	D328,061 S	7/1992	Su
D240,809 S	8/1976	Deibel	5,138,739 A	8/1992	Maubray
3,995,347 A	12/1976	Kohler	D329,034 S	9/1992	Charet et al.
4,007,511 A	2/1977	Deibel	D329,997 S	10/1992	Leu
4,009,504 A	3/1977	Arman	D330,181 S	10/1992	Charet et al.
4,028,770 A	6/1977	Appel	D330,691 S	11/1992	Leu
4,047,480 A	9/1977	Vassiliou	D330,696 S	11/1992	Alain
4,063,328 A	12/1977	Arman	D331,036 S	11/1992	Isley
D248,388 S	7/1978	Hughes	D331,037 S	11/1992	Hsi
4,102,003 A	7/1978	Hancu	D331,212 S	11/1992	Poteet
4,127,912 A	12/1978	Deibel et al.	D331,556 S	12/1992	Ismert
4,127,916 A	12/1978	Van den Berg et al.	5,168,596 A	12/1992	Maubray
D253,040 S	10/1979	Fournier et al.	5,170,527 A	12/1992	Lyon, II
D253,167 S	10/1979	Fournier et al.	D332,593 S	1/1993	Gerardiello et al.
D257,339 S	10/1980	Ellinwood	5,179,761 A	1/1993	Buechele et al.
4,308,635 A	1/1982	Maiocco	5,182,831 A	2/1993	Knight
4,309,790 A	1/1982	Bauer et al.	D334,161 S	3/1993	Wu et al.
4,339,839 A	7/1982	Knights	D334,549 S	4/1993	Esquibel
4,342,126 A	8/1982	Neefeldt	5,206,969 A	5/1993	Patterson et al.
4,343,063 A	8/1982	Batt	D336,739 S	6/1993	Wu et al.
D267,939 S	2/1983	Duvoux	5,218,735 A	6/1993	Maubray
D267,940 S	2/1983	Duvoux	5,228,167 A	7/1993	Yang
D268,020 S	2/1983	Duvoux	5,233,721 A	8/1993	Yang
4,400,845 A	8/1983	Noguchi et al.	D341,561 S	11/1993	Heckman et al.
4,422,207 A	12/1983	Maiocco et al.	5,257,436 A	11/1993	Yang
4,438,543 A	3/1984	Noguchi et al.	D342,225 S	12/1993	Heckman et al.
4,464,808 A	8/1984	Berry	5,276,937 A	1/1994	Lan
4,547,925 A	10/1985	Blackborow et al.	5,283,925 A	2/1994	Maubray
4,561,143 A	12/1985	Beneteau	D345,329 S	3/1994	Kanellis et al.
D282,243 S	1/1986	Mason	D345,330 S	3/1994	Yang
D282,718 S	2/1986	Fireman	D345,537 S	3/1994	Bianco et al.
4,570,284 A	2/1986	Verton	D345,538 S	3/1994	Bianco et al.
4,587,686 A	5/1986	Thompson	5,307,536 A	5/1994	Lescher
4,590,638 A	5/1986	Beneteau	5,311,636 A	5/1994	Lee
D286,499 S	11/1986	Moreno	5,312,177 A	5/1994	Coulter
D287,709 S	1/1987	Mower et al.	D347,610 S	6/1994	Charet et al.
D295,020 S	4/1988	Franchi	5,319,826 A	6/1994	Mower
4,741,071 A	5/1988	Bauer et al.	5,325,564 A	7/1994	Swanepoel
D296,317 S	6/1988	Mower et al.	D349,877 S	8/1994	Oyama
4,760,934 A	8/1988	Epple et al.	5,333,351 A	8/1994	Sato
4,766,636 A	8/1988	Shinpo	D350,723 S	9/1994	Longazel
D298,116 S	10/1988	Sussich	5,349,716 A	9/1994	Millar
4,782,547 A	11/1988	Mohnach	D353,354 S	12/1994	Oyama
			5,372,449 A	12/1994	Bauer et al.
			5,383,248 A	1/1995	Ho
			5,383,249 A	1/1995	Yang
			5,392,489 A	2/1995	Mohnach

(56)

References Cited

U.S. PATENT DOCUMENTS

D357,626 S *	4/1995	Snow D9/415	6,266,843 B1	7/2001	Doman et al.
5,408,719 A	4/1995	DeRees et al.		6,279,191 B1	8/2001	Kotlarski et al.
5,412,177 A	5/1995	Clark		D448,295 S	9/2001	Mozes
5,454,135 A	10/1995	Okuya et al.		6,286,176 B1	9/2001	Westermann et al.
5,463,790 A	11/1995	Chiou et al.		6,292,974 B1	9/2001	Merkel et al.
D365,079 S	12/1995	Abbott et al.		6,295,690 B1	10/2001	Merkel et al.
5,485,650 A	1/1996	Swanepoel		6,301,742 B1	10/2001	Kota
5,487,205 A	1/1996	Scherch et al.		6,305,066 B1	10/2001	De Paoli et al.
5,497,528 A	3/1996	Wu		6,308,373 B1	10/2001	Merkel et al.
5,509,166 A	4/1996	Wagner et al.		6,327,738 B1	12/2001	Lewis
D370,199 S	5/1996	Kim		6,332,236 B1	12/2001	Ku
D370,653 S	6/1996	Kim		D453,316 S	2/2002	Watanabe
D370,654 S	6/1996	Kim		6,363,569 B1	4/2002	Kotlarski
D372,217 S	7/1996	Abbott et al.		6,367,117 B1	4/2002	Sahara et al.
5,564,157 A	10/1996	Kushida et al.		D457,479 S	5/2002	De Block et al.
5,566,419 A	10/1996	Zhou		6,393,654 B2	5/2002	Nacamuli
D375,289 S	11/1996	Waselewski et al.		6,397,428 B2	6/2002	Kotlarski
5,577,292 A	11/1996	Blachetta et al.		D462,044 S	8/2002	Gfatter et al.
D376,792 S	12/1996	Chodkiewicz		6,427,282 B1	8/2002	Kotlarski
5,593,125 A	1/1997	Storz et al.		6,434,780 B1	8/2002	Kotlarski
D377,754 S	2/1997	Abbott et al.		D462,262 S *	9/2002	Leja D9/415
D379,613 S	6/1997	Chen		6,449,797 B1	9/2002	De Block
D382,848 S	8/1997	Chen		6,453,505 B1	9/2002	Terai
5,661,870 A	9/1997	Eustache et al.		D464,012 S	10/2002	Hussaini et al.
D389,449 S	1/1998	Hussaini		D464,600 S	10/2002	Chen
D390,823 S	2/1998	Baranowski et al.		6,499,181 B1	12/2002	Kotlarski
D392,612 S	3/1998	Jonasson et al.		D469,731 S	2/2003	Geer
5,732,437 A	3/1998	Jonasson et al.		6,516,491 B2	2/2003	Merkel et al.
D393,619 S	4/1998	Jeffer et al.		6,523,218 B1	2/2003	Kotlarski
D395,271 S	6/1998	Kim		6,530,111 B1	3/2003	Kotlarski
D395,864 S	7/1998	Stahlhut et al.		D472,510 S	4/2003	Lin
D395,865 S	7/1998	Powell et al.		D473,180 S	4/2003	Sun
D396,840 S	8/1998	Vita		6,550,096 B1	4/2003	Stewart et al.
5,836,110 A	11/1998	Buening		6,553,607 B1	4/2003	De Block
D402,953 S	12/1998	Kim		D474,143 S	5/2003	Ho
D404,354 S	1/1999	Witek et al.		6,564,441 B2	5/2003	Ibe et al.
D406,094 S	2/1999	Lai		6,581,237 B1	6/2003	Kotlarski
D406,257 S	3/1999	Lee		6,606,759 B1	8/2003	Hoshino
D406,756 S *	3/1999	Garganese D9/415		6,609,267 B1	8/2003	Journee et al.
5,875,672 A	3/1999	Fourie et al.		6,611,988 B1	9/2003	De Block
5,885,023 A	3/1999	Witek et al.		6,619,094 B2	9/2003	Juhl
5,899,334 A	5/1999	Domerchie et al.		6,622,540 B2	9/2003	Jones et al.
D411,161 S	6/1999	Wooten		6,625,842 B1	9/2003	De Block
D411,504 S	6/1999	Hsu		6,632,738 B2	10/2003	Sone
5,907,885 A	6/1999	Tilli et al.		6,634,056 B1	10/2003	De Block
5,920,947 A	7/1999	Varner		6,640,380 B2	11/2003	Rosenstein et al.
D414,456 S	9/1999	Hussaini et al.		6,643,889 B1	11/2003	Kotlarski
5,970,569 A	10/1999	Merkel et al.		6,651,292 B2	11/2003	Komerska
5,970,570 A	10/1999	Groninger		6,665,904 B1	12/2003	Kerchaert
D417,180 S	11/1999	Shih		6,668,419 B1	12/2003	Kotlarski
D418,103 S	12/1999	Don		6,675,433 B1	1/2004	Stewart et al.
D418,474 S	1/2000	Witek et al.		6,675,434 B1	1/2004	Wilhelm et al.
D419,950 S	2/2000	Spector		6,681,440 B2	1/2004	Zimmer et al.
6,055,697 A	5/2000	Wollenschlaeger		D487,047 S	2/2004	Kim
6,063,216 A	5/2000	Damm et al.		6,687,948 B2	2/2004	Kotlarski
D427,134 S	6/2000	Lee		6,718,594 B1	4/2004	Kotlarski
6,088,872 A	7/2000	Schmid et al.		D490,763 S	6/2004	Kim
D430,097 S	8/2000	Breesch et al.		D494,125 S	8/2004	Leu
6,101,665 A	8/2000	Sahara et al.		D494,527 S	8/2004	Hsu
D431,223 S	9/2000	Breesch et al.		D494,528 S	8/2004	Chiang
6,119,301 A	9/2000	Nakatsukasa et al.		6,785,931 B2	9/2004	Lee et al.
D431,520 S	10/2000	Breesch et al.		6,789,289 B2	9/2004	Roodt
D432,072 S	10/2000	Breesch et al.		6,792,644 B2	9/2004	Roodt
D434,715 S	12/2000	Wang		6,796,000 B2	9/2004	Varner
6,158,078 A	12/2000	Kotlarski		6,806,452 B2	10/2004	Bos et al.
6,161,248 A	12/2000	Merkel et al.		6,810,555 B2	11/2004	Ritt
6,192,546 B1	2/2001	Kotlarski		6,810,556 B1	11/2004	Kotlarski
6,202,251 B1	3/2001	Kotlarski		6,813,803 B2	11/2004	Leutsch
D442,537 S	5/2001	Kim		6,813,923 B2	11/2004	Jones et al.
6,226,829 B1	5/2001	Kotlarski		6,820,302 B2	11/2004	Zimmer
D443,245 S	6/2001	Kim		6,820,303 B2	11/2004	Zimmer et al.
D443,582 S	6/2001	De Block		6,820,304 B1	11/2004	Gossez et al.
D443,854 S	6/2001	De Block		D499,962 S	12/2004	Lee et al.
D444,760 S	7/2001	Houssat et al.		D500,728 S	1/2005	Leu
D445,754 S	7/2001	Benoit		6,836,924 B2	1/2005	Egan-Walter
				6,836,925 B1	1/2005	Swanepoel
				6,836,926 B1	1/2005	De Block
				6,836,927 B2	1/2005	De Block et al.
				D501,819 S	2/2005	Hsu

(56)

References Cited

U.S. PATENT DOCUMENTS

6,857,160 B2	2/2005	Weiler et al.	7,493,672 B2	2/2009	Op't Roodt
6,859,971 B2	3/2005	Siklosi	D588,933 S	3/2009	Bonzagni et al.
6,874,195 B2	4/2005	Kotlarski	7,506,401 B2	3/2009	Park
6,883,966 B2	4/2005	Zimmer	7,509,704 B2	3/2009	Bauer et al.
6,886,213 B2	5/2005	Merkel et al.	7,523,519 B2	4/2009	Egner-Walter et al.
6,904,639 B2	6/2005	Dietrich et al.	7,523,520 B2	4/2009	Breesch
6,910,243 B1	6/2005	Zimmer	7,523,522 B2	4/2009	Herring et al.
6,910,244 B2	6/2005	De Block et al.	7,526,832 B2	5/2009	Matsumoto et al.
D508,226 S	8/2005	Lin	7,527,151 B2	5/2009	Park
D508,888 S	8/2005	Carroll	D593,480 S	6/2009	Kim
6,944,905 B2	9/2005	De Block et al.	7,543,353 B2	6/2009	Ko
6,946,810 B2	9/2005	Kohlrausch	7,552,502 B2	6/2009	Kagawa et al.
6,951,043 B1	10/2005	Fehrsen	D596,102 S	7/2009	Kim
D511,735 S	11/2005	Aoyama et al.	7,559,110 B1	7/2009	Kotlarski et al.
6,964,079 B2	11/2005	Zimmer	D601,077 S	9/2009	Kim
6,964,080 B2	11/2005	Knauf	7,581,280 B2	9/2009	Op't Roodt et al.
6,966,096 B2	11/2005	Baseotto et al.	7,581,887 B2	9/2009	Zimmer
D512,362 S	12/2005	Breesch et al.	7,596,479 B2	9/2009	Weiler et al.
6,973,698 B1	12/2005	Kotlarski	7,603,741 B2	10/2009	Verelst et al.
6,978,512 B2	12/2005	Dietrich et al.	7,603,742 B2	10/2009	Nakano et al.
7,007,339 B2	3/2006	Weilet et al.	7,607,194 B2	10/2009	Weber et al.
7,024,722 B2	4/2006	Neubauer et al.	7,614,499 B2	11/2009	Muller
7,036,181 B2	5/2006	Zimmer	7,621,016 B2	11/2009	Verelst et al.
D522,380 S	6/2006	Dibnah et al.	7,628,560 B2	12/2009	Westermann et al.
7,055,207 B2	6/2006	Coughlin	7,636,980 B2	12/2009	Nakano
7,055,208 B2	6/2006	Merkel et al.	D608,717 S	1/2010	Aglassinger
7,076,829 B2	7/2006	Ritt	D610,518 S	2/2010	Aglassinger
D527,336 S	8/2006	Van Baelen	D610,519 S	2/2010	Aglassinger
7,093,317 B1	8/2006	Zimmer	D610,520 S	2/2010	Aglassinger
7,134,163 B2	11/2006	Varner	D611,809 S	3/2010	Borgerson et al.
7,137,167 B2	11/2006	Torii et al.	7,669,276 B2	3/2010	Verelst et al.
7,143,463 B2	12/2006	Baseotto et al.	7,687,565 B2	3/2010	Geilenkirchen
7,150,065 B2	12/2006	Zimmer	7,690,073 B2	4/2010	Marmoy et al.
7,150,066 B1	12/2006	Huang	7,699,169 B2	4/2010	Lewis
7,150,795 B2	12/2006	Javaruski et al.	D615,918 S	5/2010	Kim
7,166,979 B2	1/2007	Zimmer	7,707,680 B2	5/2010	Hawighorst et al.
7,171,718 B2	2/2007	Moein et al.	7,716,780 B2	5/2010	Scholl et al.
D538,218 S	3/2007	Elwell et al.	7,743,457 B2	6/2010	Metz
7,196,440 B2	3/2007	Lamprecht	7,748,076 B2	7/2010	Weiler et al.
7,228,588 B2	6/2007	Kraemer et al.	D621,322 S	8/2010	Lee et al.
D546,669 S	7/2007	Sheppard et al.	7,780,214 B2	8/2010	Kraus et al.
D547,713 S	7/2007	Goeller	7,788,761 B2	9/2010	Weiler et al.
D549,152 S	8/2007	Goeller	7,793,382 B2	9/2010	Van De Rovaart
7,256,565 B2	8/2007	Merkel et al.	7,797,787 B2	9/2010	Wilms et al.
7,257,856 B2	8/2007	Zimmer	7,805,800 B2	10/2010	Wilms et al.
7,258,233 B2 *	8/2007	Lee B65D 43/161 206/470	7,810,206 B2	10/2010	Weiler et al.
7,272,890 B2	9/2007	Zimmer et al.	7,814,611 B2	10/2010	Heinrich et al.
D552,486 S *	10/2007	Herring D9/711	7,823,953 B2	11/2010	Haas
7,281,294 B2	10/2007	Wilms et al.	7,832,045 B2	11/2010	Weiler et al.
7,293,321 B2	11/2007	Breesch	7,832,047 B2	11/2010	Herinckx et al.
7,299,520 B2	11/2007	Huang	7,836,542 B2	11/2010	Dietrich et al.
7,316,047 B2	1/2008	Thienard	7,849,553 B2	12/2010	Weiler et al.
7,316,048 B2	1/2008	Yamane et al.	7,886,401 B2	2/2011	Weber et al.
7,337,900 B2	3/2008	Reiber et al.	7,891,043 B2	2/2011	Kraus et al.
7,353,562 B2	4/2008	Huang	7,891,044 B2	2/2011	Fink et al.
D569,327 S	5/2008	Lin	7,895,702 B2	3/2011	Tisch et al.
D569,328 S	5/2008	Lin	7,895,703 B2	3/2011	Ina et al.
7,370,385 B2	5/2008	Chiang	7,898,141 B2	3/2011	Hurst et al.
D573,457 S *	7/2008	Park D9/415	7,899,596 B2	3/2011	Zimmer
7,398,577 B2	7/2008	Genet	7,908,703 B2	3/2011	Van Bealen
D575,146 S *	8/2008	Lee D9/415	7,908,704 B2	3/2011	Kraemer
D577,324 S	9/2008	McCray	7,921,504 B1	4/2011	Chiang
D579,849 S	11/2008	Garrastacho et al.	7,926,659 B2	4/2011	Kim
7,451,520 B2	11/2008	Weiler et al.	7,930,796 B2	4/2011	Weiler et al.
D582,765 S	12/2008	Gustafson et al.	D637,132 S	5/2011	Kim
7,461,429 B2	12/2008	Huang	7,937,798 B2	5/2011	Fink et al.
7,464,433 B2	12/2008	Thomar et al.	7,941,891 B2	5/2011	Breesch
D584,160 S	1/2009	Zimmermann	7,941,892 B2	5/2011	Kraus et al.
7,472,451 B2	1/2009	Hara et al.	7,945,985 B2	5/2011	Stubner
D586,663 S	2/2009	Tidqvist	7,945,987 B2	5/2011	Verelst et al.
D586,716 S	2/2009	Radfar	7,950,717 B2	5/2011	Metz
D586,717 S	2/2009	Depondt	7,962,787 B2	6/2011	Camilleri et al.
D587,186 S	2/2009	Herinckx et al.	7,966,689 B2	6/2011	Rovaart et al.
7,484,264 B2	2/2009	Kraemer et al.	7,971,312 B2	7/2011	Crabbee et al.
			7,975,849 B2	7/2011	Kim
			7,989,955 B2	8/2011	Yagi
			7,996,953 B2	8/2011	Braun et al.
			D644,925 S	9/2011	Jaworski
			8,020,246 B2	9/2011	Bauer et al.

(56)

References Cited

U.S. PATENT DOCUMENTS

8,020,248 B2	9/2011	Hasegawa	2005/0005387 A1	1/2005	Kinoshita et al.
8,020,249 B2	9/2011	Masuda et al.	2005/0011033 A1	1/2005	Thomar et al.
8,026,645 B2	9/2011	Stubner et al.	2005/0039292 A1	2/2005	Boland
8,042,690 B2	10/2011	Lewis	2005/0166349 A1	8/2005	Nakano et al.
D647,795 S	11/2011	Eaton et al.	2005/0177970 A1	8/2005	Scholl et al.
8,051,526 B2	11/2011	Summerville et al.	2006/0010636 A1	1/2006	Vacher
8,060,976 B2	11/2011	Mayer et al.	2006/0112511 A1	6/2006	Op't Roodt et al.
8,069,528 B2	12/2011	Verelst et al.	2006/0117515 A1	6/2006	Fink et al.
8,076,807 B2	12/2011	Bohn et al.	2006/0130263 A1	6/2006	Coughlin
D651,509 S	1/2012	Methe et al.	2006/0156529 A1	7/2006	Thomar et al.
8,096,013 B2	1/2012	Eschenbrenner et al.	2006/0179597 A1	8/2006	Hoshino et al.
8,099,823 B2	1/2012	Kraemer et al.	2006/0218740 A1	10/2006	Coughlin
8,104,134 B2	1/2012	Ritt	2006/0230571 A1	10/2006	Son
8,104,136 B2	1/2012	Carangelo	2006/0248675 A1	11/2006	Vacher et al.
8,117,710 B2	2/2012	Kraus et al.	2006/0282972 A1	12/2006	Huang
8,125,111 B2	2/2012	Bohn et al.	2007/0017056 A1	1/2007	Cooke et al.
8,141,198 B2	3/2012	Wilms et al.	2007/0067939 A1	3/2007	Huang
8,148,467 B2	4/2012	Pieters et al.	2007/0067941 A1	3/2007	Huang
8,151,656 B2	4/2012	Nicgorski, II	2007/0186366 A1	8/2007	Alley
D658,494 S *	5/2012	Raimer D9/414	2007/0220698 A1	9/2007	Huang
8,181,308 B2	5/2012	Kwon et al.	2007/0226940 A1	10/2007	Thienard
8,186,002 B2	5/2012	Kinnaert et al.	2007/0226941 A1	10/2007	Kraemer et al.
8,191,200 B2	6/2012	Kim	2007/0234501 A1	10/2007	Ho et al.
8,261,403 B2	9/2012	Ehde	2008/0083082 A1	4/2008	Rovaart et al.
8,261,405 B2	9/2012	Kim et al.	2008/0098554 A1	5/2008	Cho
8,272,096 B2	9/2012	Wilms et al.	2008/0196192 A1	8/2008	Yao
D671,827 S *	12/2012	Raimer D9/415	2008/0222830 A1	9/2008	Chiang
8,381,348 B2	2/2013	Egner-Walter et al.	2008/0263805 A1	10/2008	Sebring
8,413,291 B2	4/2013	Wu	2008/0289133 A1	11/2008	Kim
8,434,621 B2 *	5/2013	Hun B65D 5/0209 206/464	2009/0013492 A1	1/2009	Henin
D684,862 S	6/2013	DiFranza	2009/0064440 A1	3/2009	Boland
D685,260 S *	7/2013	Thielemier D9/415	2009/0158545 A1	6/2009	Grasso et al.
D686,912 S *	7/2013	Ehde D9/415	2009/0172910 A1	7/2009	De Block et al.
8,474,088 B2	7/2013	Wu	2009/0178226 A1	7/2009	Lee et al.
8,490,239 B2	7/2013	Ehde	2010/0005608 A1	1/2010	Chien
8,505,724 B2	8/2013	Bult et al.	2010/0005609 A1	1/2010	Kim
8,510,897 B2	8/2013	Ku	2010/0024151 A1	2/2010	Ku
8,510,898 B2	8/2013	Ku	2010/0050360 A1	3/2010	Chiang
8,544,137 B2	10/2013	Thienard	2010/0050361 A1	3/2010	Chang et al.
8,555,456 B2	10/2013	Ehde	2010/0064468 A1	3/2010	Kang
D692,750 S	11/2013	Ehde et al.	2010/0083454 A1	4/2010	Op'T Roodt et al.
D695,632 S *	12/2013	Akana D9/722	2010/0205763 A1	8/2010	Ku
8,613,357 B2	12/2013	Putnam	2010/0212101 A1	8/2010	Thienard et al.
D697,790 S *	1/2014	Iwegbu D9/420	2010/0236008 A1	9/2010	Yang et al.
D700,524 S *	3/2014	Ferriter D9/711	2010/0236675 A1	9/2010	Schneider
D702,619 S	4/2014	Kim	2010/0242204 A1	9/2010	Chien
D704,074 S *	5/2014	Tsai D19/86	2010/0281645 A1	11/2010	Kim et al.
D704,620 S	5/2014	Kim	2011/0047742 A1	3/2011	Kim et al.
D709,362 S *	7/2014	Kim D9/415	2011/0072607 A1	3/2011	Van Baelen et al.
D711,217 S *	8/2014	Jacobs D9/414	2011/0113582 A1	5/2011	Kruse et al.
D711,218 S *	8/2014	Jacobs D9/414	2011/0113583 A1	5/2011	Shanmugham et al.
D711,734 S *	8/2014	Kim D9/415	2011/0162161 A1	7/2011	Amado
D714,659 S *	10/2014	Akana D9/722	2011/0192511 A1	8/2011	Marrone
D715,142 S *	10/2014	Allen D5/56	2011/0219563 A1	9/2011	Guastella et al.
D717,160 S *	11/2014	Kurniawan D9/415	2011/0277264 A1	11/2011	Ehde
D731,301 S *	6/2015	Recht D9/415	2011/0277266 A1	11/2011	Umeno
2001/0013236 A1	8/2001	Weyerstall et al.	2012/0027206 A1	2/2012	Suzuki et al.
2002/0043092 A1	4/2002	Jones et al.	2012/0047673 A1	3/2012	Depondt
2002/0112306 A1	8/2002	Komerska	2012/0054976 A1	3/2012	Yang et al.
2003/0014828 A1	1/2003	Edner-Walter et al.	2012/0060316 A1	3/2012	Avasiloaie et al.
2003/0028990 A1	2/2003	Zimmer	2012/0102669 A1	5/2012	Lee et al.
2003/0033683 A1	2/2003	Kotlarski	2012/0144615 A1	6/2012	Song et al.
2003/0159229 A1	8/2003	Weiler et al.	2012/0159733 A1	6/2012	Kwon
2003/0209049 A1	11/2003	Jones et al.	2012/0180245 A1	7/2012	Ku
2003/0221276 A1	12/2003	Siklosi	2012/0180246 A1	7/2012	Ku
2003/0229961 A1	12/2003	Barnett	2012/0279008 A1	11/2012	Depondt
2004/0010882 A1	1/2004	Breesch	2012/0311808 A1	12/2012	Yang et al.
2004/0025280 A1	2/2004	Krickau et al.	2012/0317740 A1	12/2012	Yang et al.
2004/0025281 A1	2/2004	Baseotto et al.	2013/0067675 A1	3/2013	Chien
2004/0098821 A1	5/2004	Kraemer et al.	2013/0104334 A1	5/2013	Depondt
2004/0159994 A1	8/2004	Lenzen et al.	2013/0152326 A1	6/2013	Oslizlo et al.
2004/0211021 A1	10/2004	Weber et al.	2013/0152330 A1	6/2013	Kim et al.
2004/0244137 A1	12/2004	Poton	2013/0167316 A1	7/2013	Egner-Walter et al.
2004/0250369 A1	12/2004	Matsumoto et al.	2013/0192016 A1	8/2013	Kim et al.
			2013/0247323 A1	9/2013	Geubel et al.
			2013/0255026 A1	10/2013	Depondt
			2013/0263400 A1	10/2013	Dueterhoeft et al.
			2013/0333145 A1	12/2013	Depondt

(56)

References Cited

U.S. PATENT DOCUMENTS

2013/0333146 A1 12/2013 Depondt
2014/0026348 A1 1/2014 Schaeuble
2014/0026349 A1 1/2014 Schaeuble

* cited by examiner

FIG. 1

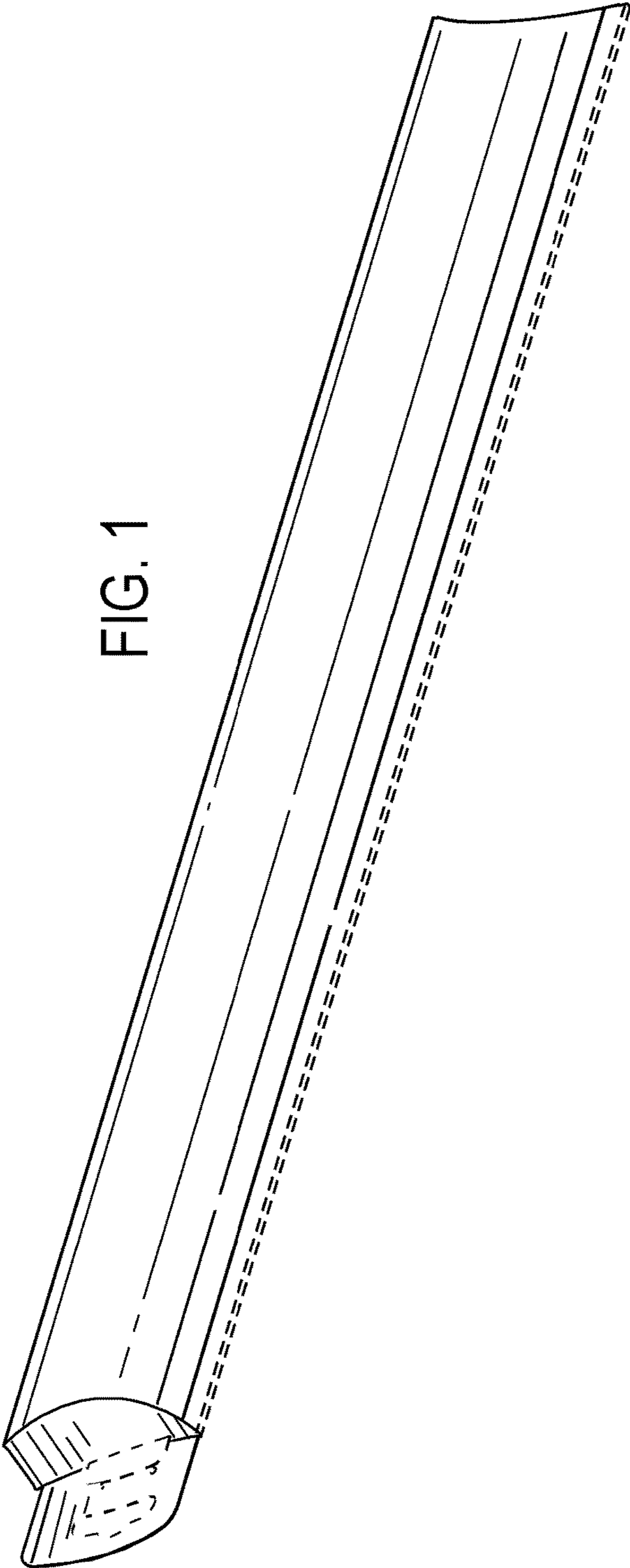


FIG. 2

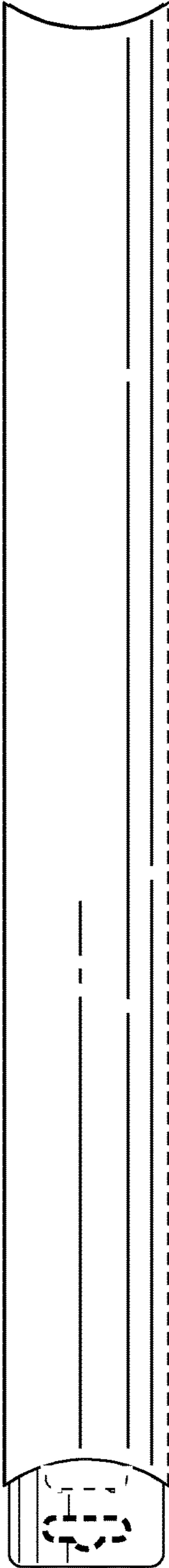


FIG. 3

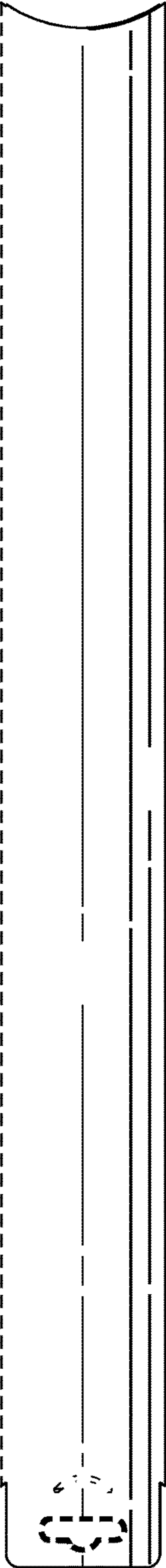


FIG. 4

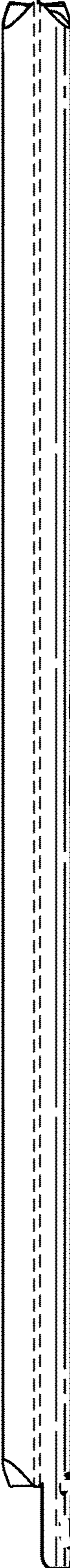


FIG. 5



FIG. 7

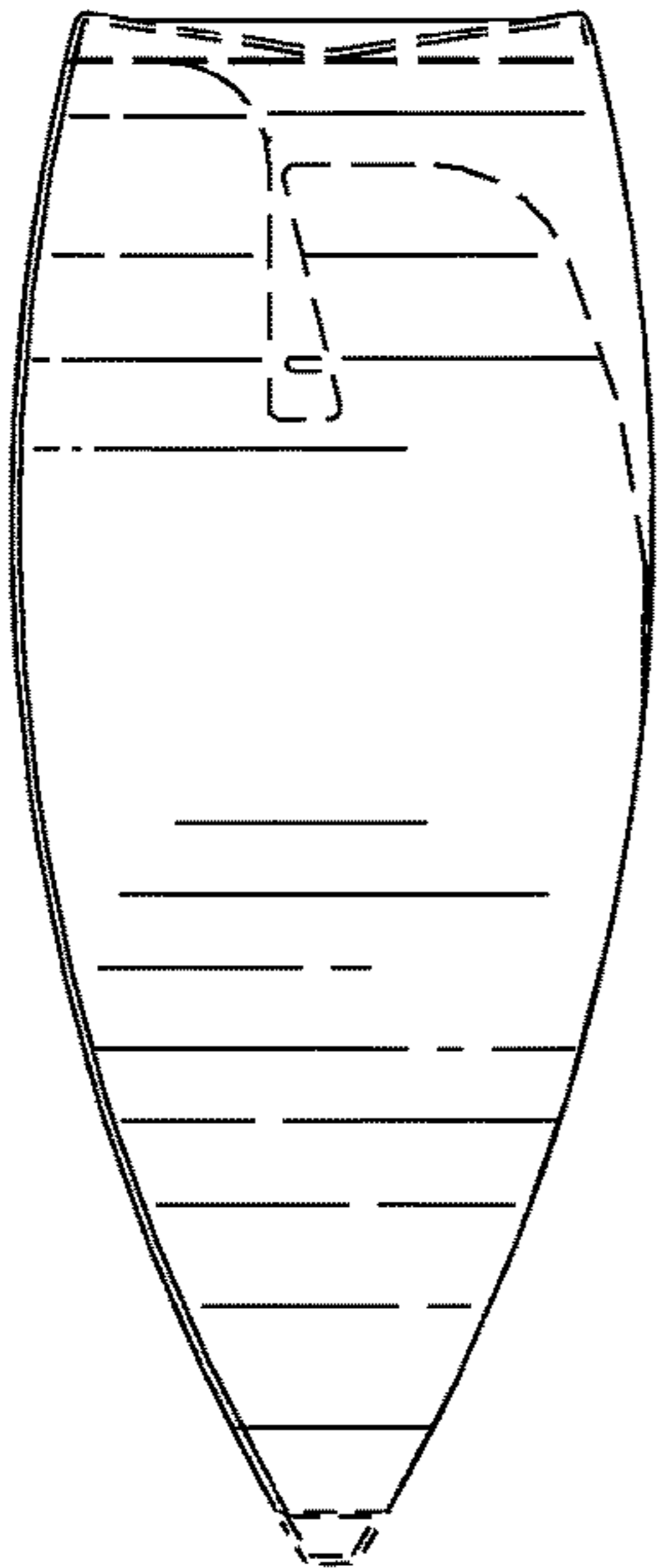


FIG. 6

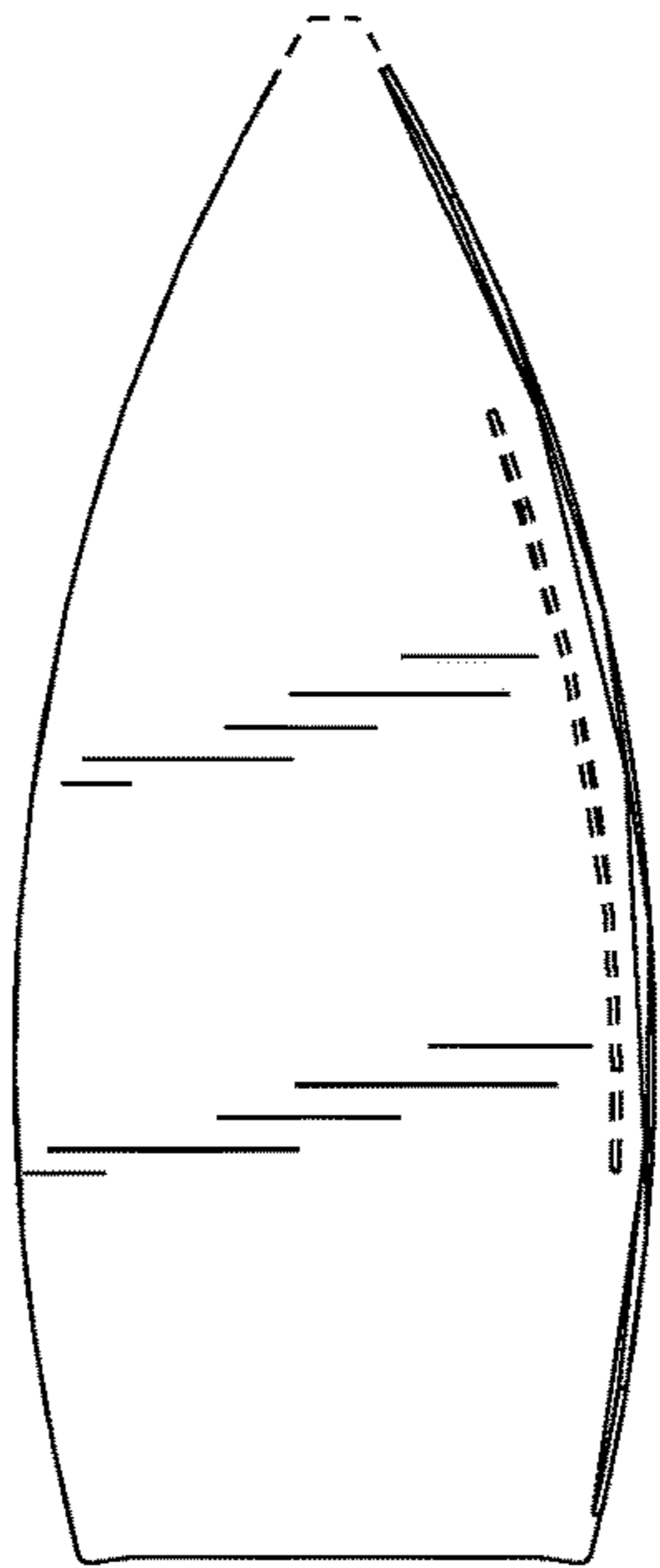


FIG. 9

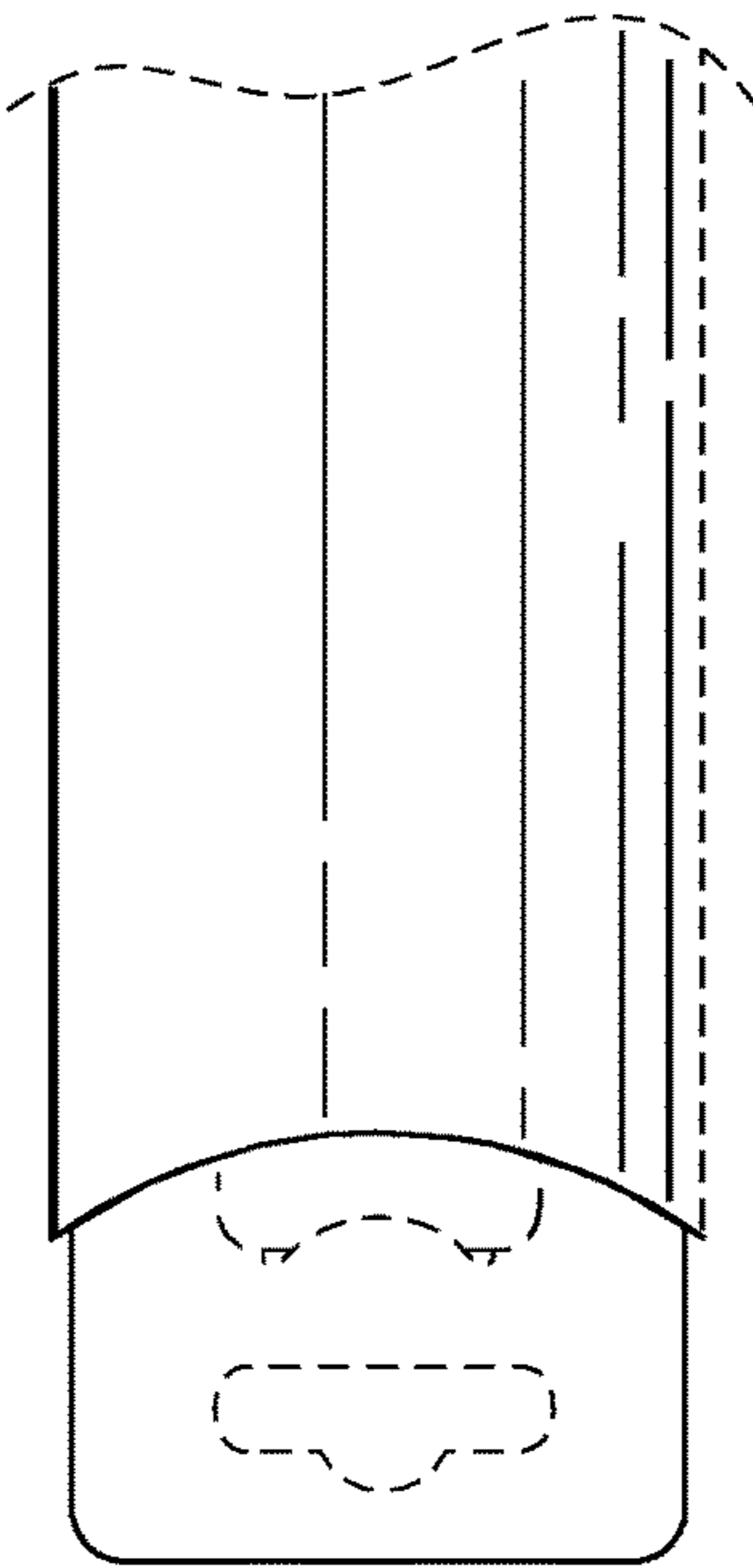
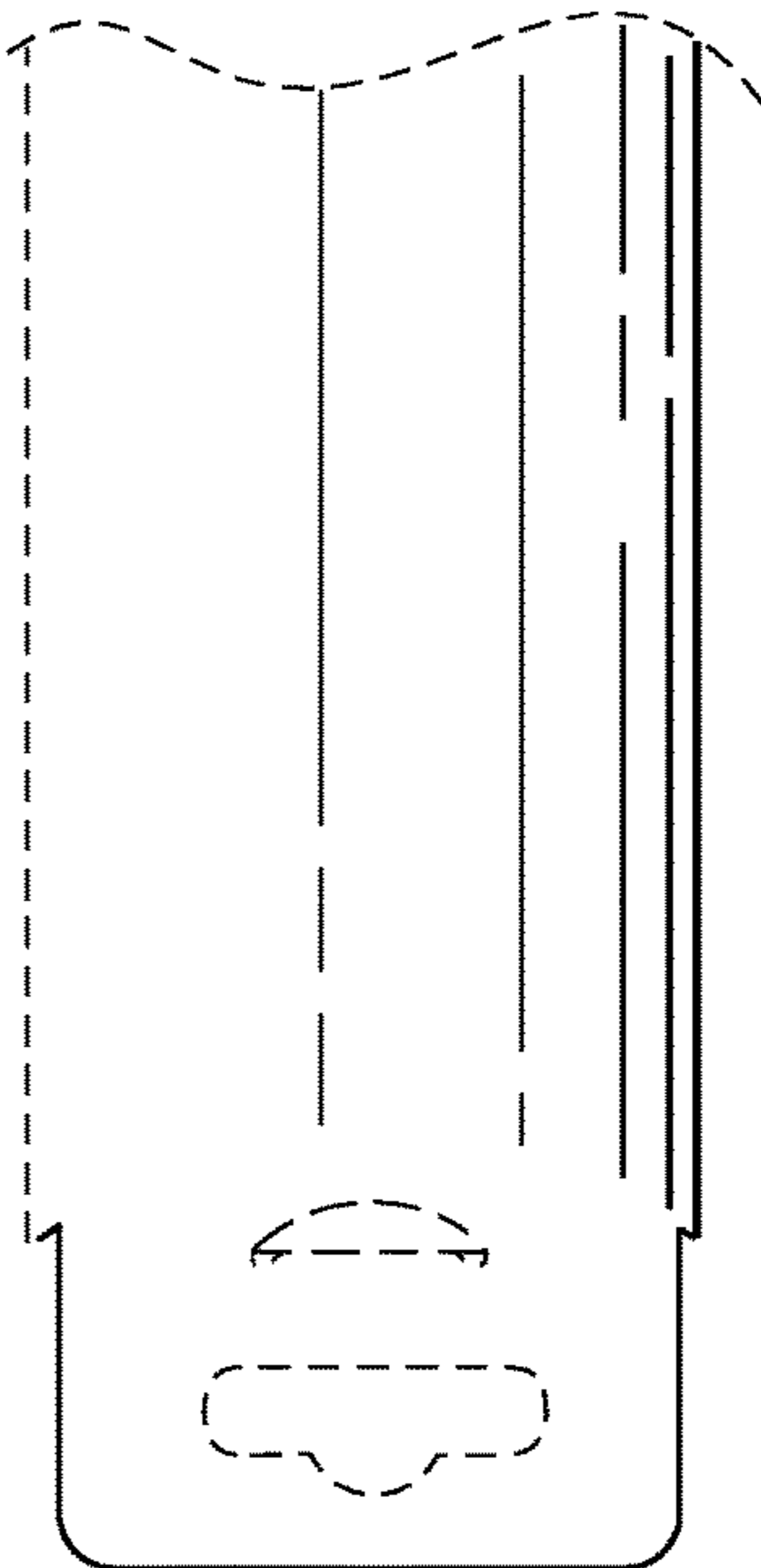


FIG. 8



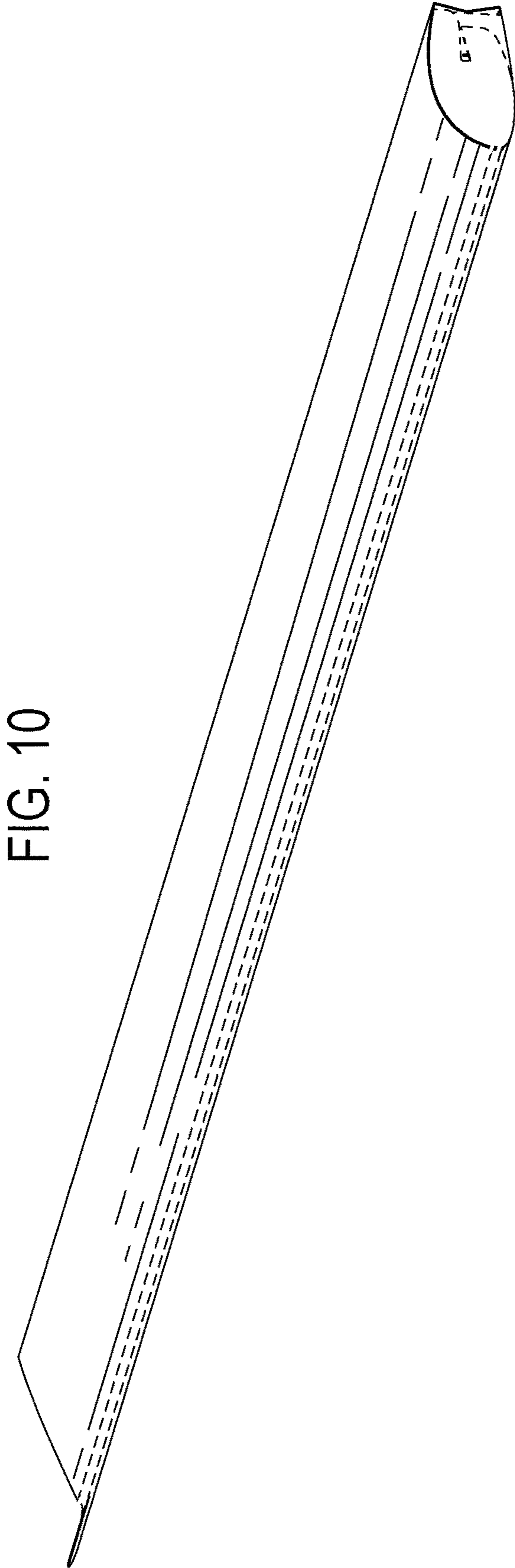


FIG. 10

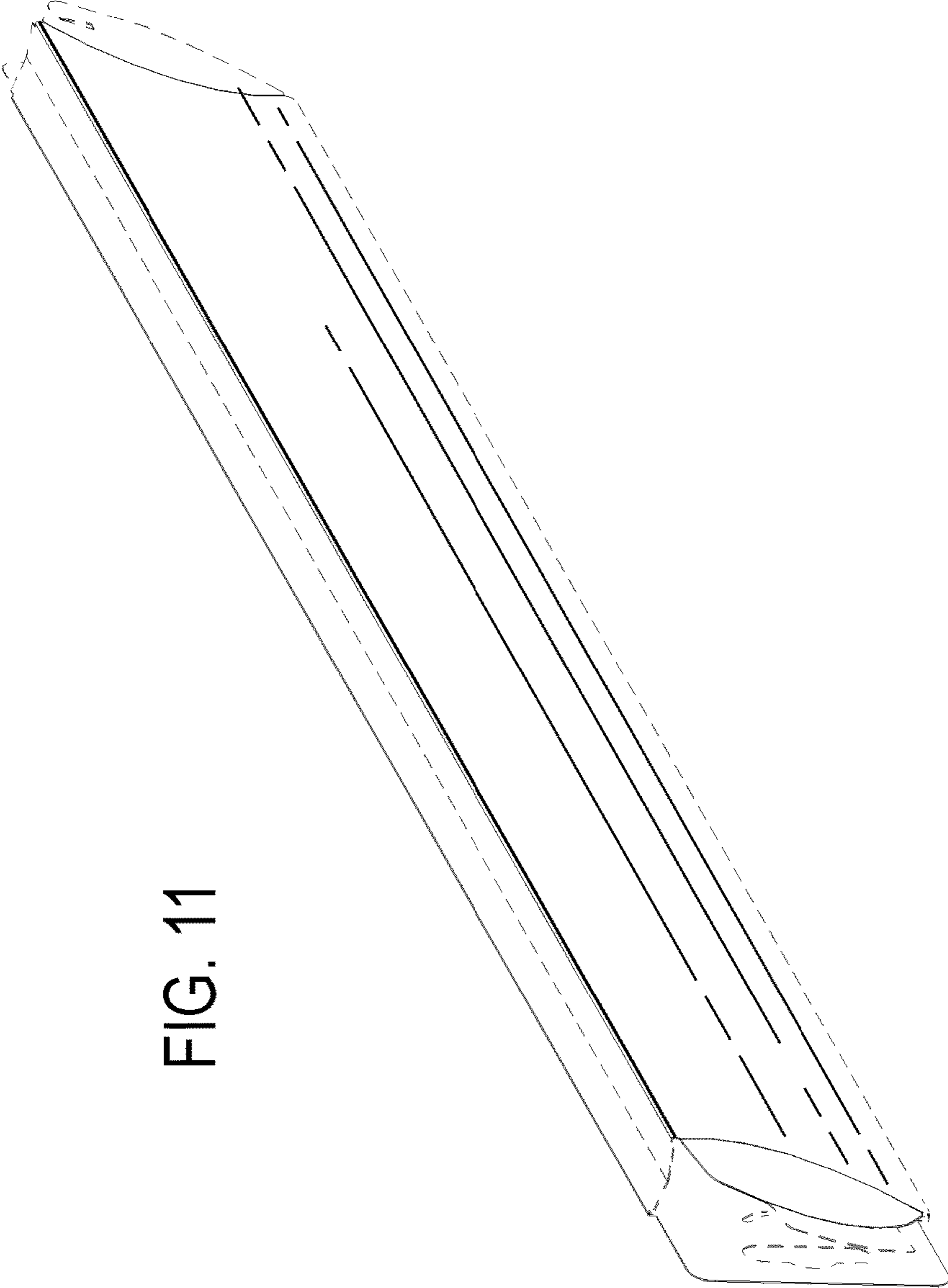


FIG. 11

FIG. 12

