



US00D787304S

(12) **United States Design Patent**
Rathman

(10) **Patent No.:** **US D787,304 S**

(45) **Date of Patent:** **** May 23, 2017**

(54) **BEAM SOCKET**

(71) Applicant: **WINSTON PRODUCTS LLC**,
Cleveland, OH (US)

(72) Inventor: **David Edward Birn Rathman**,
Cleveland, OH (US)

(73) Assignee: **WINSTON PRODUCTS LLC**,
Cleveland, OH (US)

(**) Term: **15 Years**

(21) Appl. No.: **29/543,657**

(22) Filed: **Oct. 27, 2015**

(51) **LOC (10) Cl.** **08-05**

(52) **U.S. Cl.**
USPC **D8/380**

(58) **Field of Classification Search**
USPC D8/380, 381; 16/82, 83, 86 R, 86 A,
16/86 B; 232/338, 339, 340; 248/345.1,
248/300, 220.1; 49/462, 460, 504
CPC E04C 5/18; E04G 21/12
See application file for complete search history.

(56) **References Cited**

U.S. PATENT DOCUMENTS

D372,190 S *	7/1996	Price	D8/400
7,017,876 B1 *	3/2006	LeCher	A63G 9/00
				182/151
2009/0173036 A1 *	7/2009	Hand	E04B 2/96
				52/715
2010/0327631 A1 *	12/2010	Brunner	B62D 27/065
				296/205
2014/0130411 A1 *	5/2014	Topping	A01G 1/08
				47/66.1
2015/0240991 A1 *	8/2015	Gallo	F16M 13/025
				248/220.1

OTHER PUBLICATIONS

E-Track Wood Beam Socket for Standard 2_ Lumber, posted at etrailer.com, posting date Dec. 9, 2010, [online], [site visited Sep. 29, 2016]. Available from Internet, <URL: <https://www.etrailer.com/TrailerCargoControl/Erickson/59149.html>>.*
E-Track Wood Beam Socket, posted at wholesailetrailerb2b.com, posting date not given, [online], [site visited 9-29-30]. Available from Internet, <URL: <http://www.wholesailetrailerb2b.com/e-track/e-track-wood-beam-socket-het1845>>.*

(Continued)

Primary Examiner — Caron D Veynar

Assistant Examiner — Maria Edwards

(74) *Attorney, Agent, or Firm* — Tucker Ellis, LLP

(57) **CLAIM**

The ornamental design for a beam socket, as shown and described.

DESCRIPTION

FIG. 1 is a perspective view of a beam socket showing our new design;

FIG. 2 is a rear view of the beam socket illustrated in FIG. 1;

FIG. 3 is front view of the beam socket illustrated in FIG. 1;

FIG. 4 is a left side of the beam socket illustrated in FIG. 1;

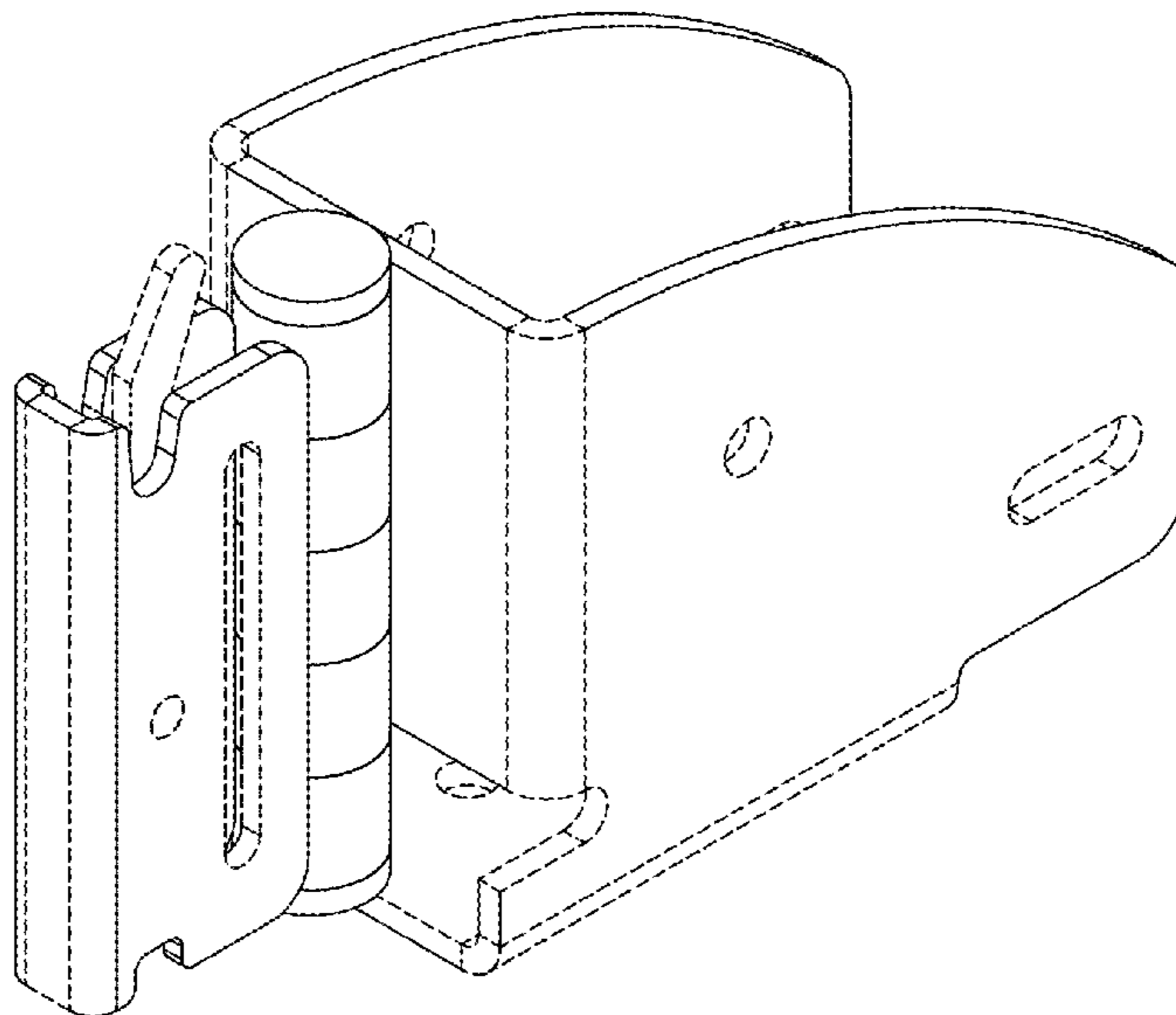
FIG. 5 is a right side view of the beam socket illustrated in FIG. 1;

FIG. 6 is a top view of the beam socket illustrated in FIG. 1; and,

FIG. 7 is a bottom view of the beam socket illustrated in FIG. 1.

The broken lines illustrate portions of the beam socket that form no part of the claimed design.

1 Claim, 4 Drawing Sheets



(56)

References Cited

OTHER PUBLICATIONS

E-track Wood Beam Socket for Standard 2_Lumber, posted at etrailer.com, posting date Dec. 9, 2010, [online], [site visited Sep. 29, 2016]. Available from Internet, <URL: <https://www.etrailer.com/TrailerCargoControl/Erickson/59149.html>>.*

E-Track Wood Beam Socket, posted at wholesailetrailerb2b.com, posting date not given, [online], [site visited Sep. 29, 2016]. Available from Internet, <URL: <http://www.wholesailetrailerb2b.com/e-track-wood-beam-socket-het1845>>.*

* cited by examiner

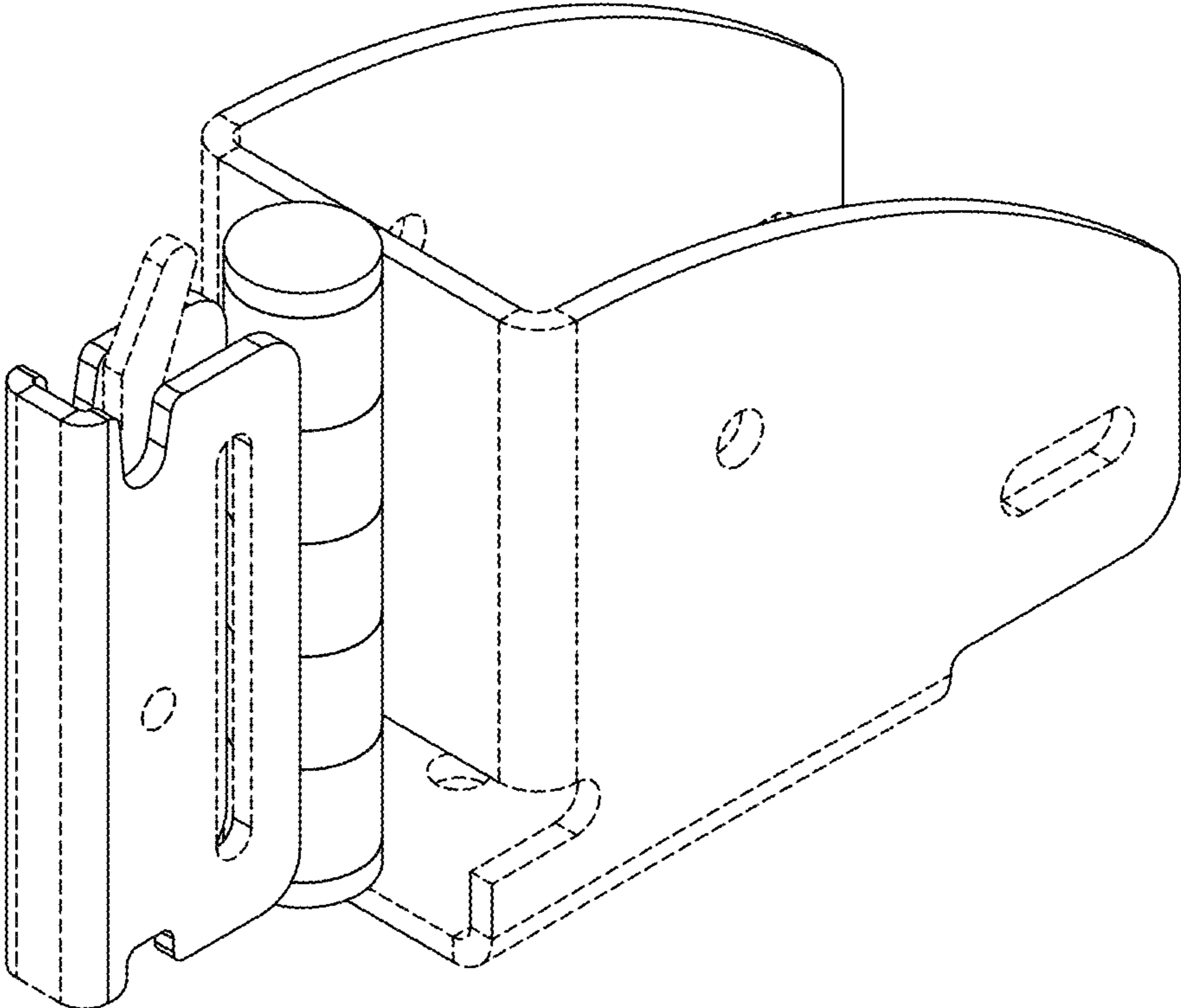


FIG. 1

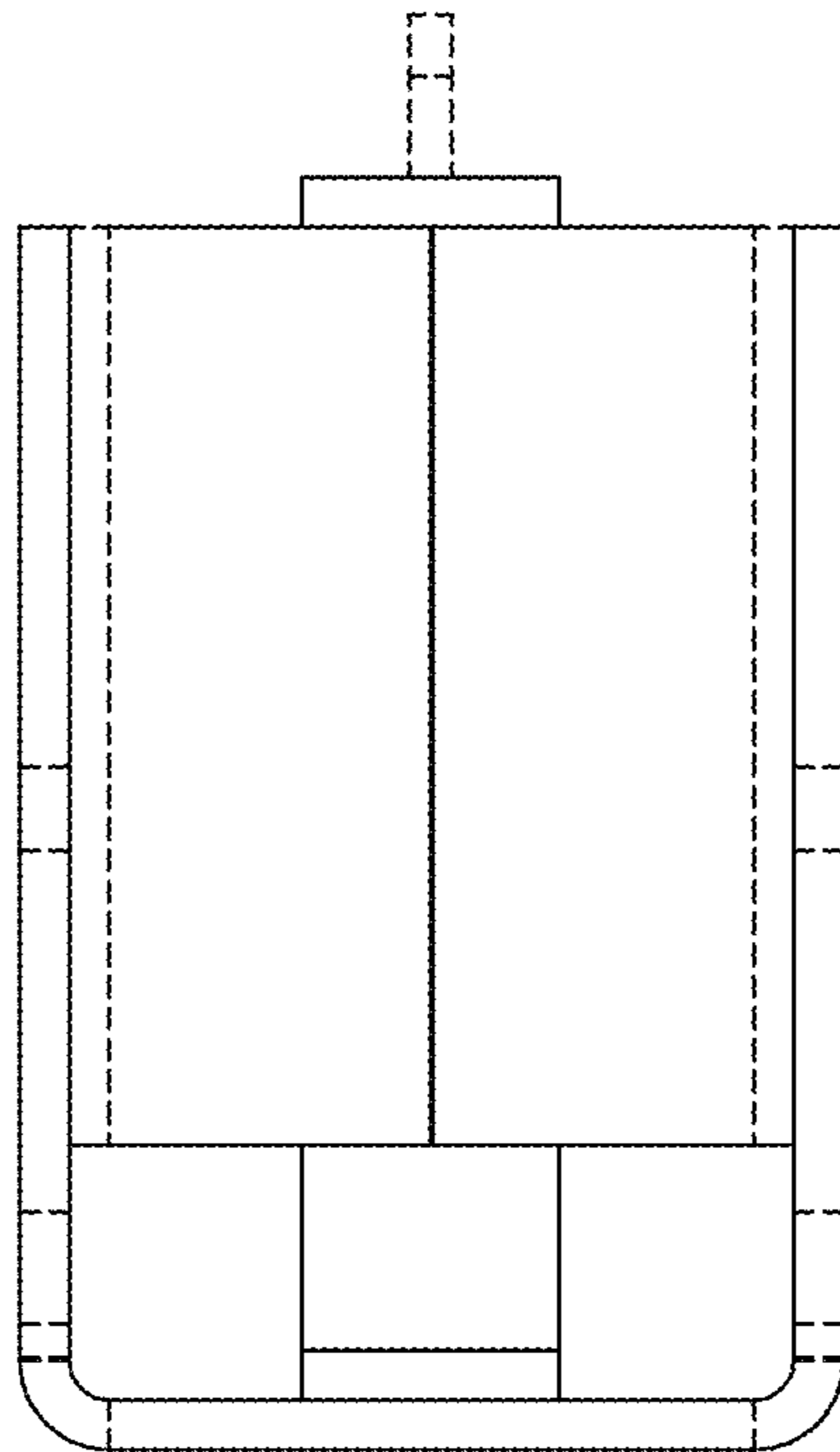


FIG. 2

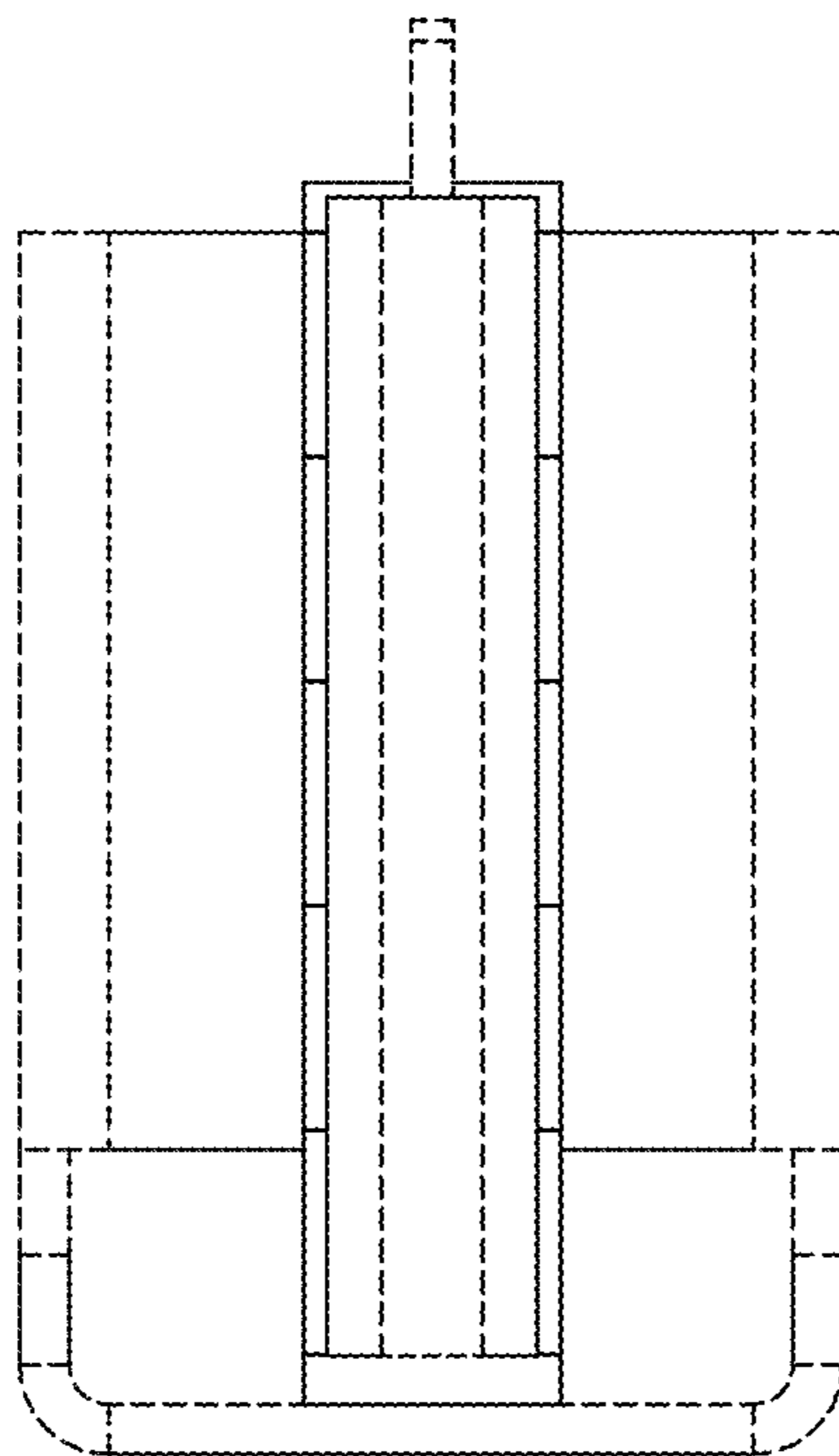


FIG. 3

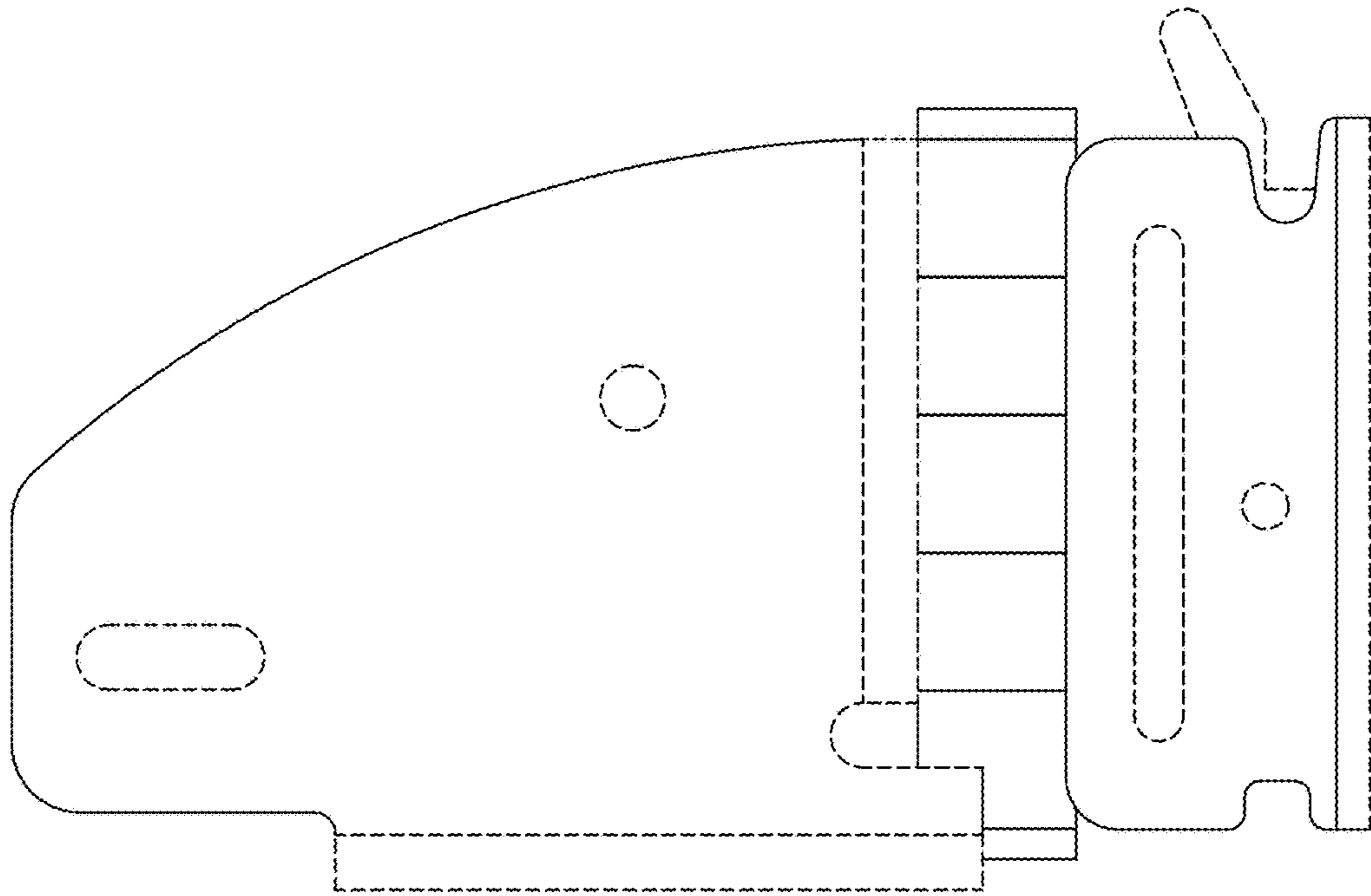


FIG. 4

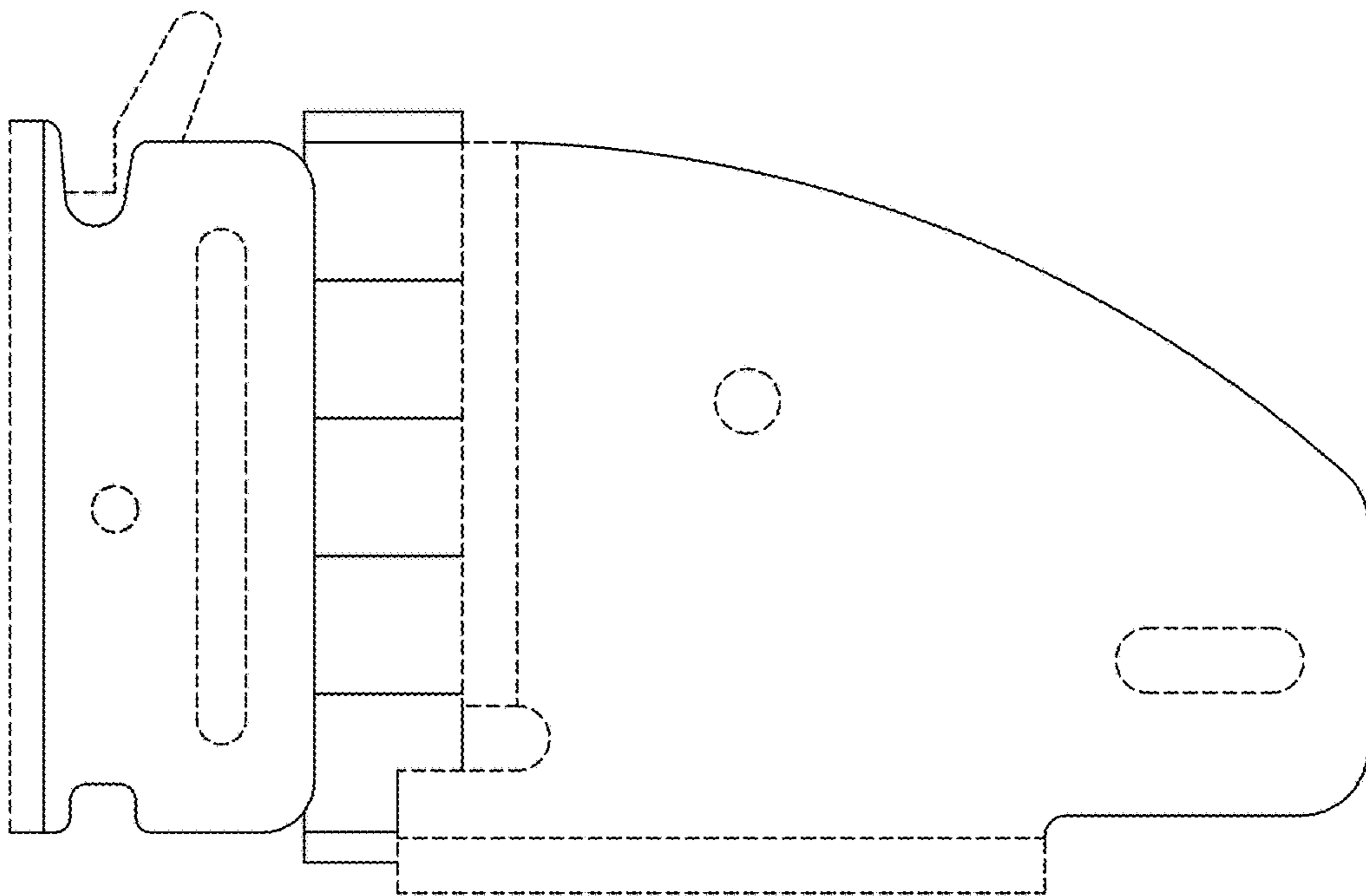


FIG. 5

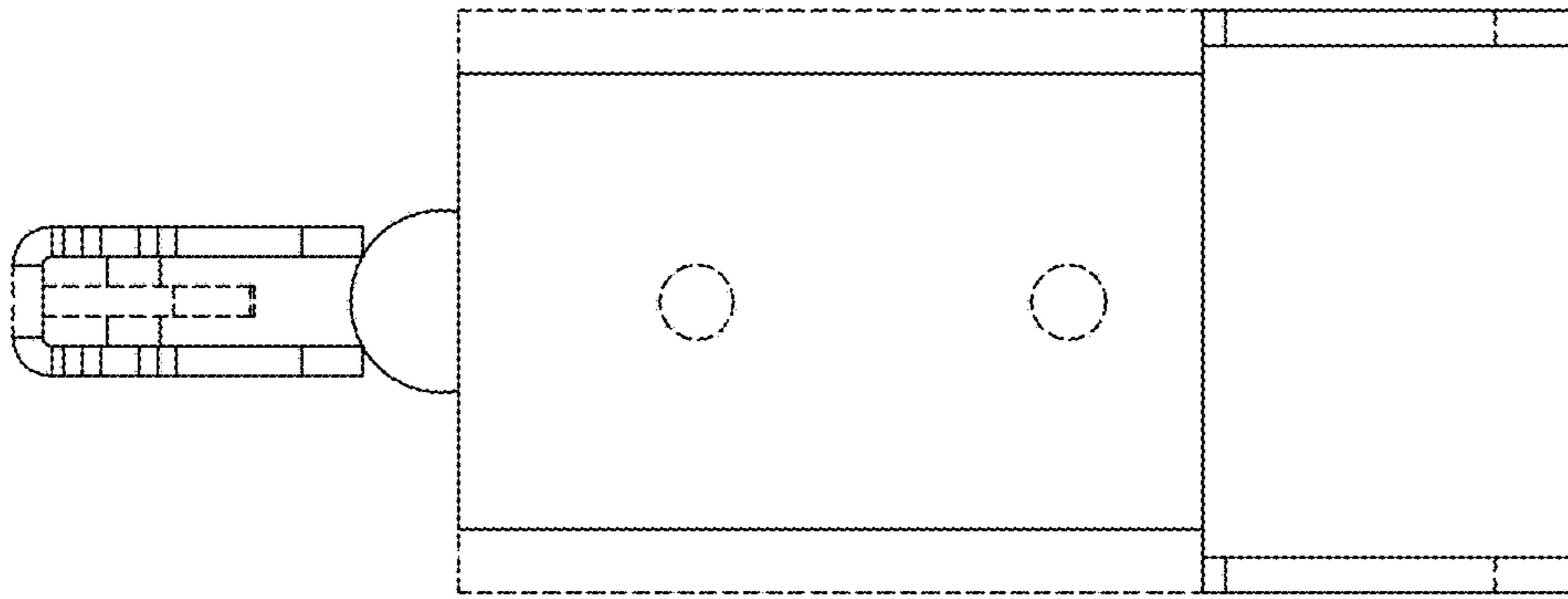


FIG. 7

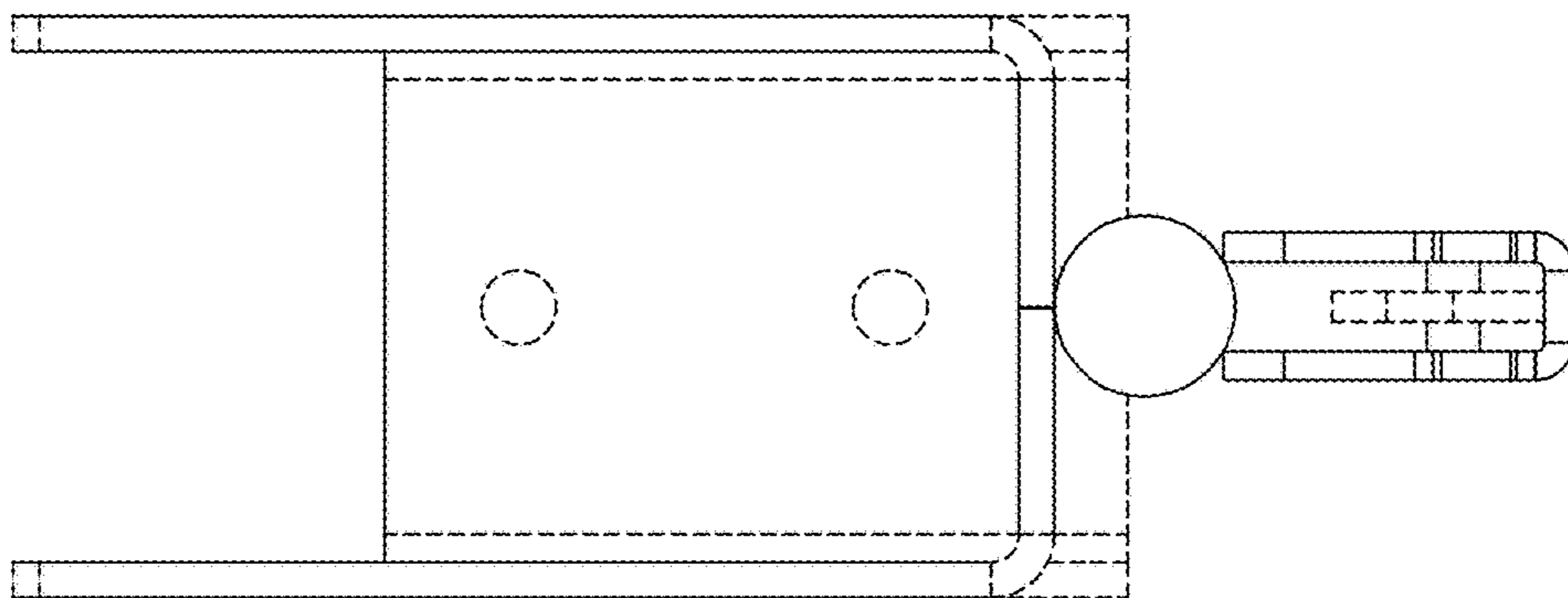


FIG. 6