



US00D787303S

(12) **United States Design Patent** (10) **Patent No.:** **US D787,303 S**  
**Garvin** (45) **Date of Patent:** **\*\* May 23, 2017**

(54) **LOOP HOOK**  
(71) Applicant: **Barton L. Garvin**, Western Springs, IL (US)  
(72) Inventor: **Barton L. Garvin**, Western Springs, IL (US)  
(\*\*) Term: **15 Years**

(21) Appl. No.: **29/563,886**  
(22) Filed: **May 9, 2016**  
(51) **LOC (10) Cl.** ..... **08-05**  
(52) **U.S. Cl.**  
USPC ..... **D8/367**  
(58) **Field of Classification Search**  
USPC ..... D6/315-328; D8/349, 354, 356, 368, D8/370, 373, 389; D34/35  
CPC ..... A47G 25/32; A47G 25/28; A47G 25/442; A47G 25/20; A47G 25/24; A47G 25/1421; A47G 25/1428; A47G 25/06; A47G 25/52; A47G 25/38; A47G 25/50; A47G 25/183; A47G 25/70; A47G 25/44; A47F 7/19; A47F 5/01; A47F 5/13; F16B 2/00  
See application file for complete search history.

(56) **References Cited**  
U.S. PATENT DOCUMENTS  
D328,562 S \* 8/1992 Lin ..... D8/367  
D596,016 S \* 7/2009 Dretzka ..... D8/367  
D597,400 S \* 8/2009 Matejcik ..... D8/367  
D637,892 S \* 5/2011 Barrese ..... D8/367  
D648,618 S \* 11/2011 Goodman ..... D8/367  
D695,526 S \* 12/2013 Easlick ..... D3/328  
D700,042 S \* 2/2014 Cobianco ..... D8/367  
D718,120 S \* 11/2014 Sweeney ..... D8/370

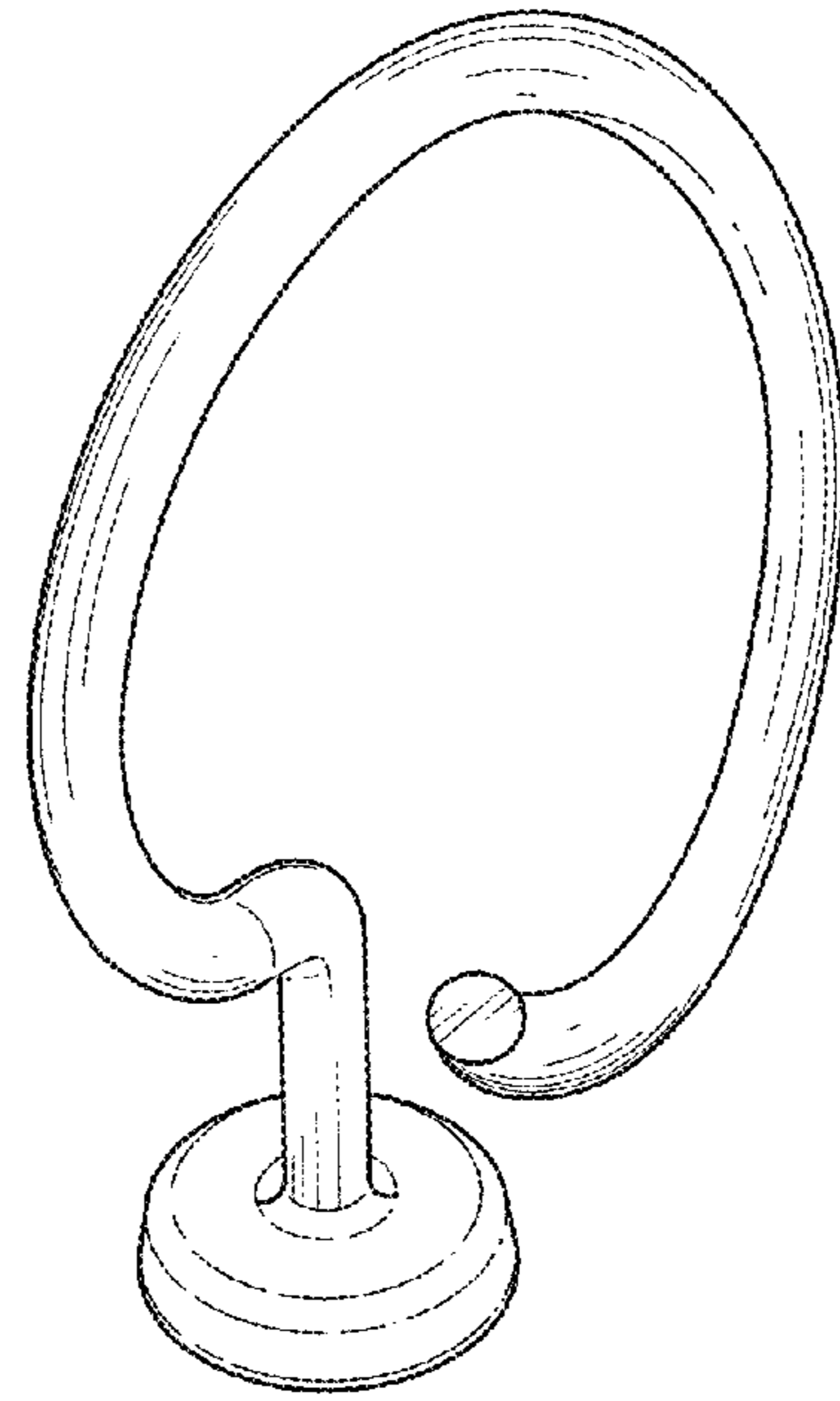
D734,133 S \* 7/2015 Spindler ..... F21V 21/0808 D8/367  
D750,472 S \* 3/2016 Kuka ..... D8/367  
D752,419 S \* 3/2016 Greene ..... D8/367  
D752,420 S \* 3/2016 Greene ..... D8/367  
D755,612 S \* 5/2016 Cooper ..... D8/367  
D756,756 S \* 5/2016 Kuehn ..... D8/367  
D765,498 S \* 9/2016 Dankert ..... D8/367  
D766,707 S \* 9/2016 Greenleaf ..... D8/367  
\* cited by examiner

*Primary Examiner* — John Windmuller  
*Assistant Examiner* — Benjamin Weeks  
(74) *Attorney, Agent, or Firm* — Benjamin D. Rotman; David G. Rosenbaum; ROSENBAUM IP, P.C.

(57) **CLAIM**  
The ornamental design for a loop hook, as shown and described.

**DESCRIPTION**  
FIG. 1 is a front perspective view of a loop hook in accordance with the invention;  
FIG. 2 is a bottom perspective view of FIG. 1;  
FIG. 3 is a bottom perspective view of FIG. 1 with a magnet shown in broken lines;  
FIG. 4 is a front elevation view of FIG. 1;  
FIG. 5 is a rear elevation view of FIG. 1;  
FIG. 6 is a left elevation view of FIG. 1;  
FIG. 7 is a right elevation view of FIG. 1;  
FIG. 8 is a top plan view of FIG. 1;  
FIG. 9 is a bottom plan view of FIG. 1; and,  
FIG. 10 is a bottom plan view of FIG. 1 with a magnet shown in broken lines.  
The broken lines are for environmental purposes only and form no part of the claimed design.

**1 Claim, 3 Drawing Sheets**



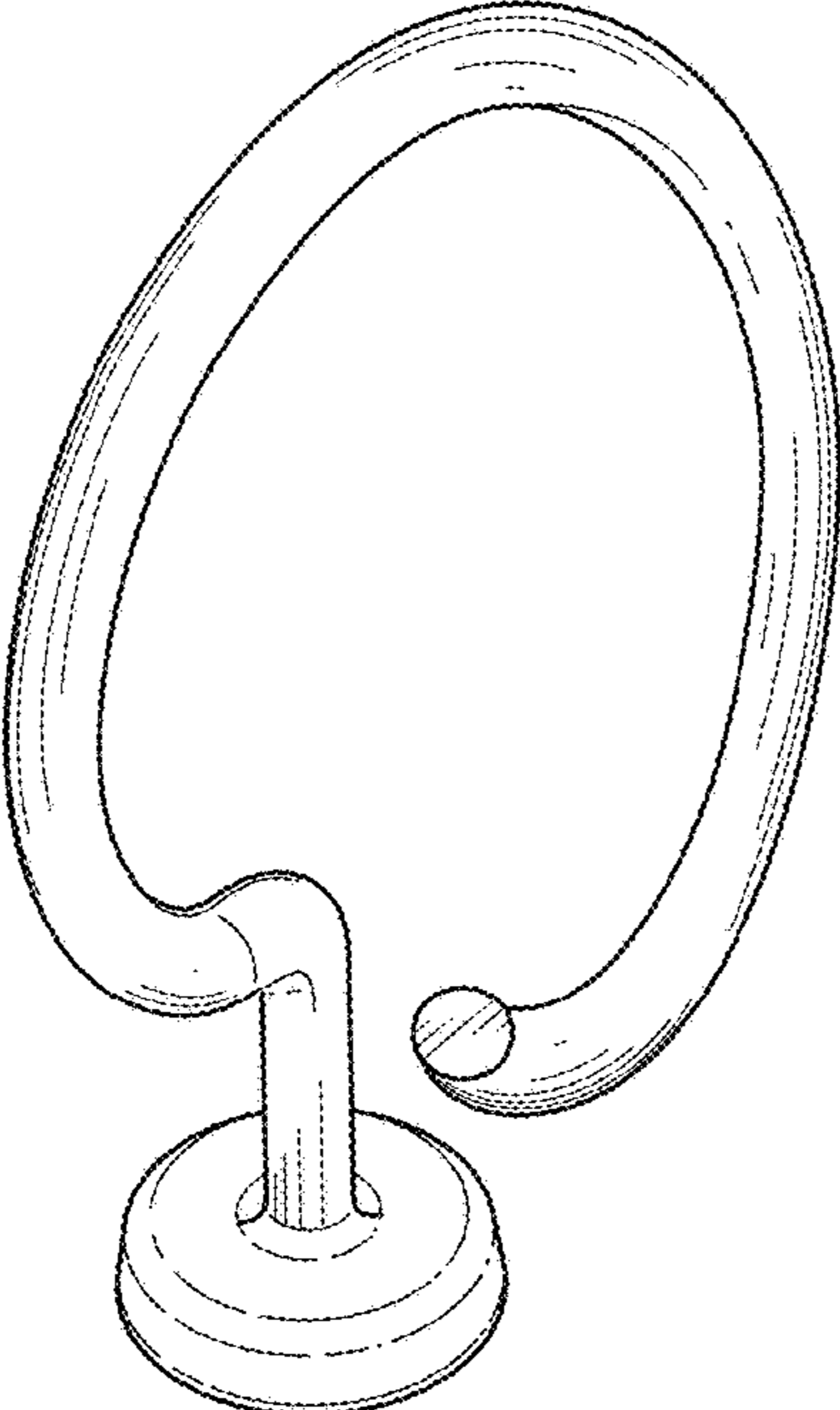


FIG. 1

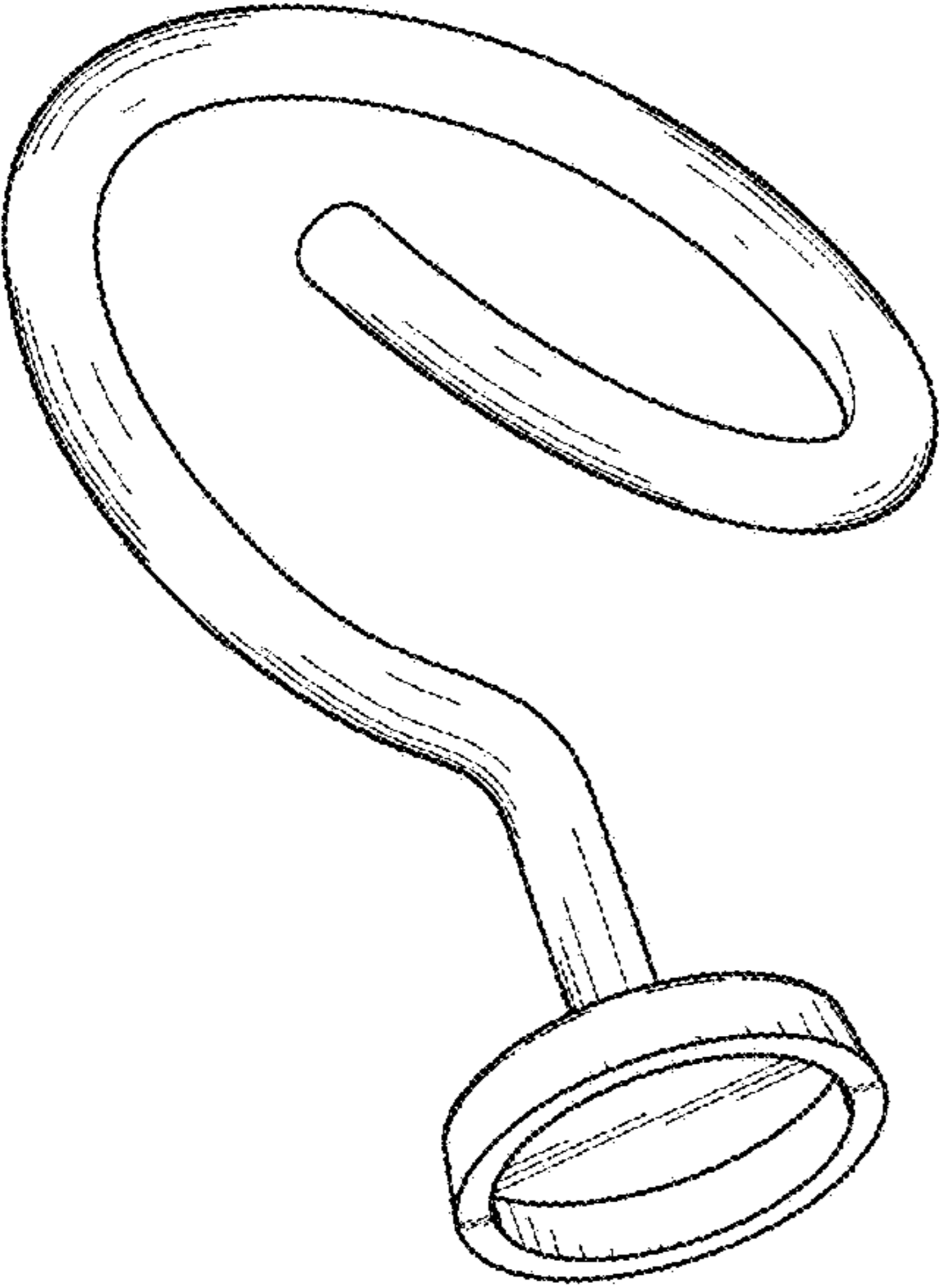


FIG. 2

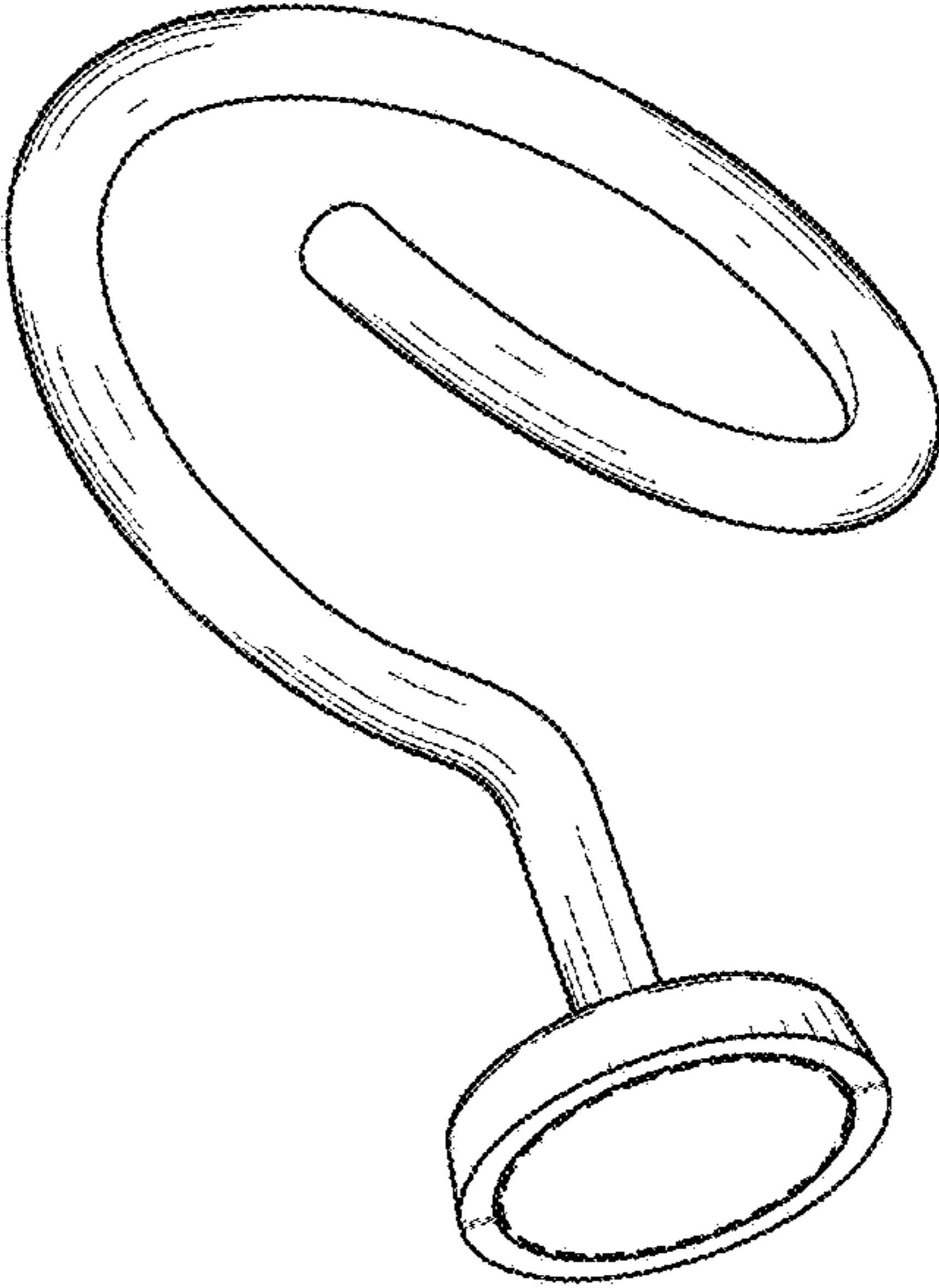


FIG. 3

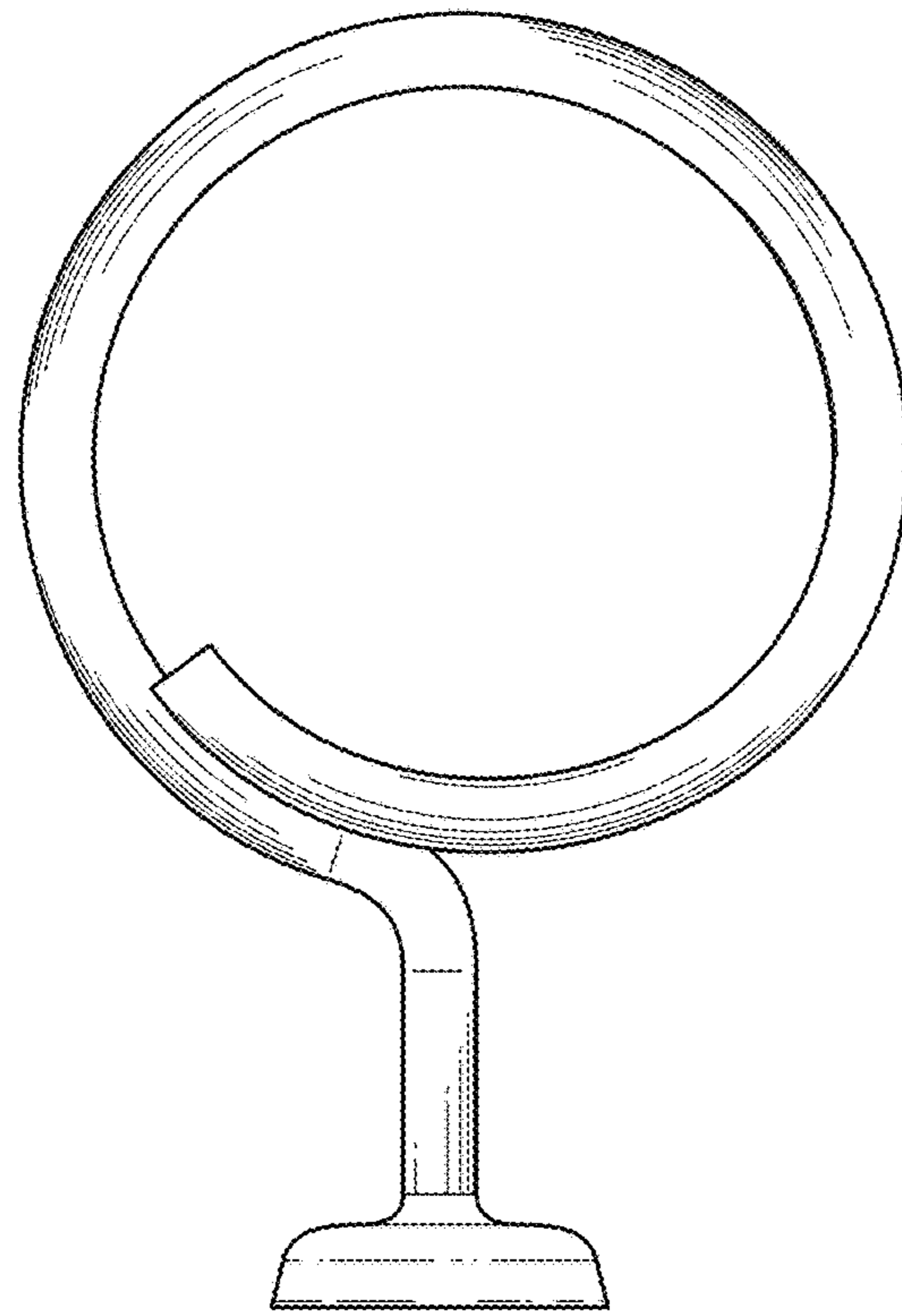


FIG. 4

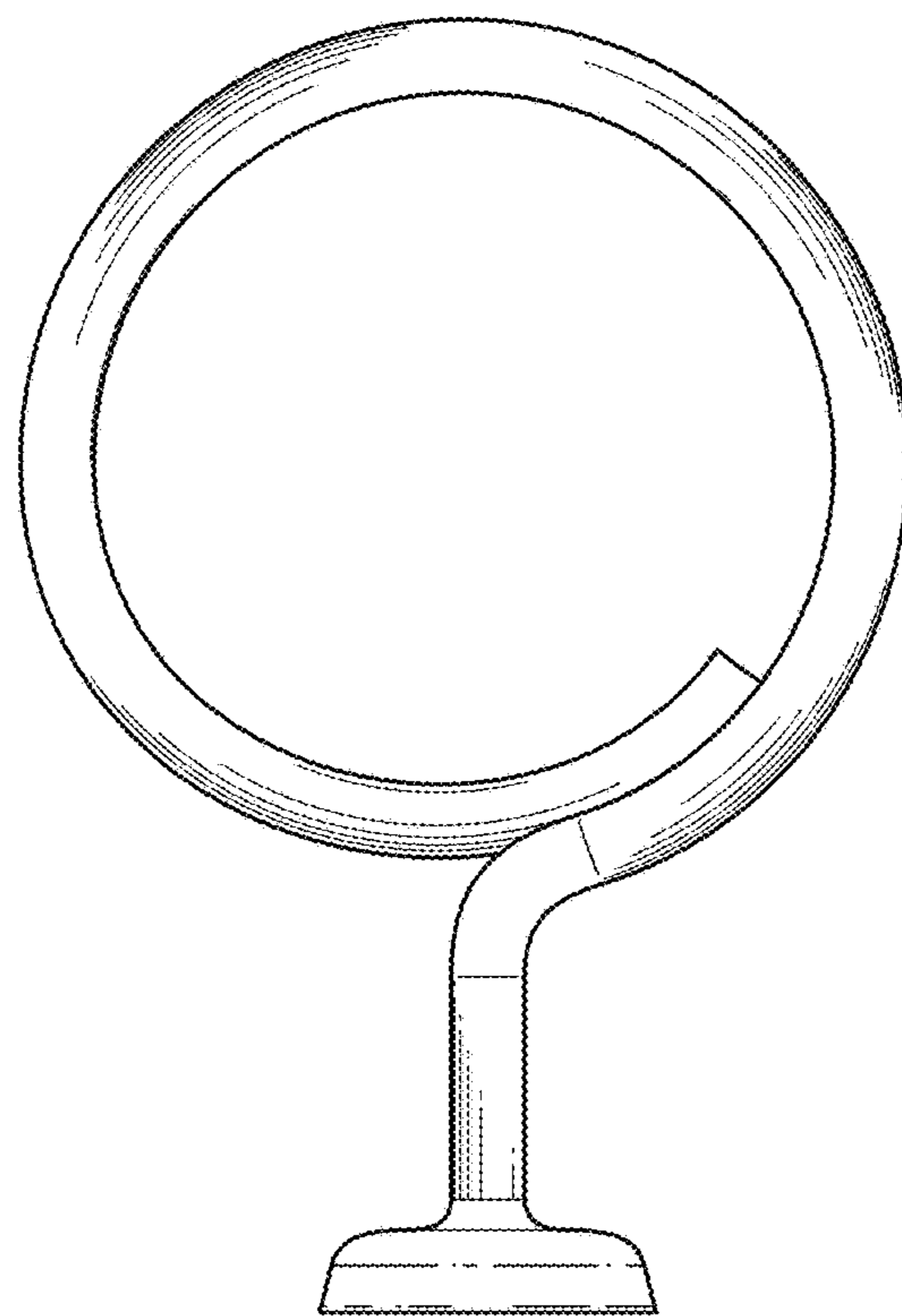


FIG. 5

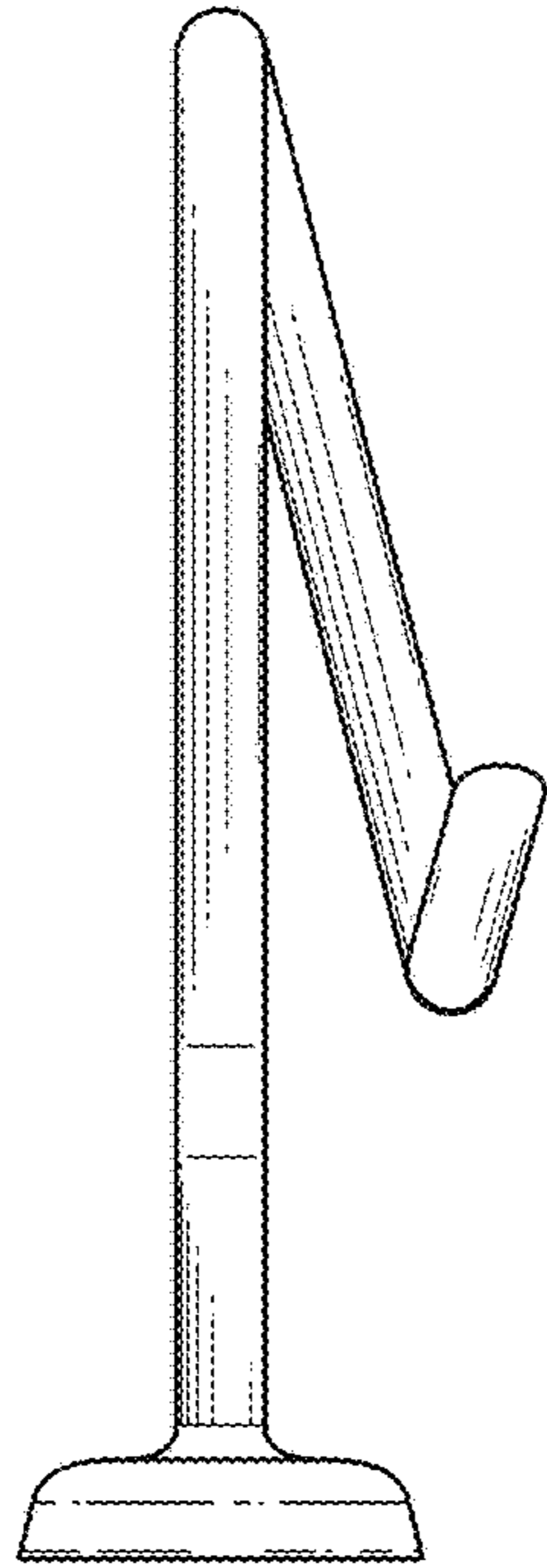


FIG. 6

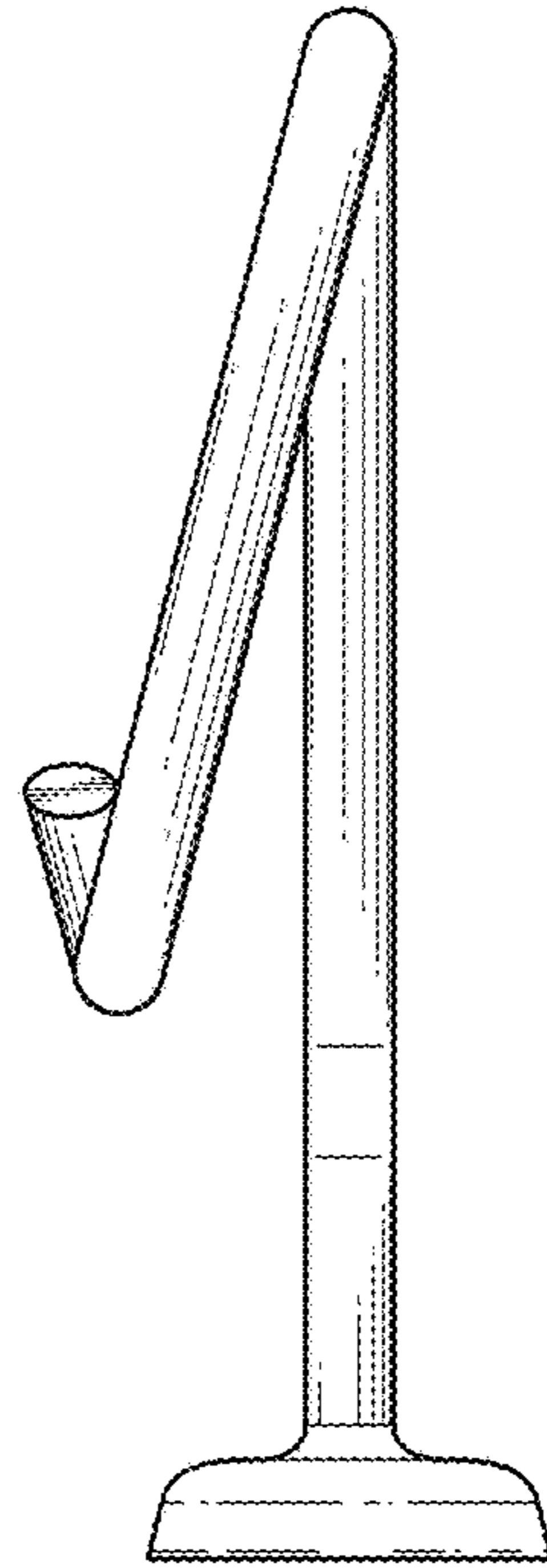


FIG. 7

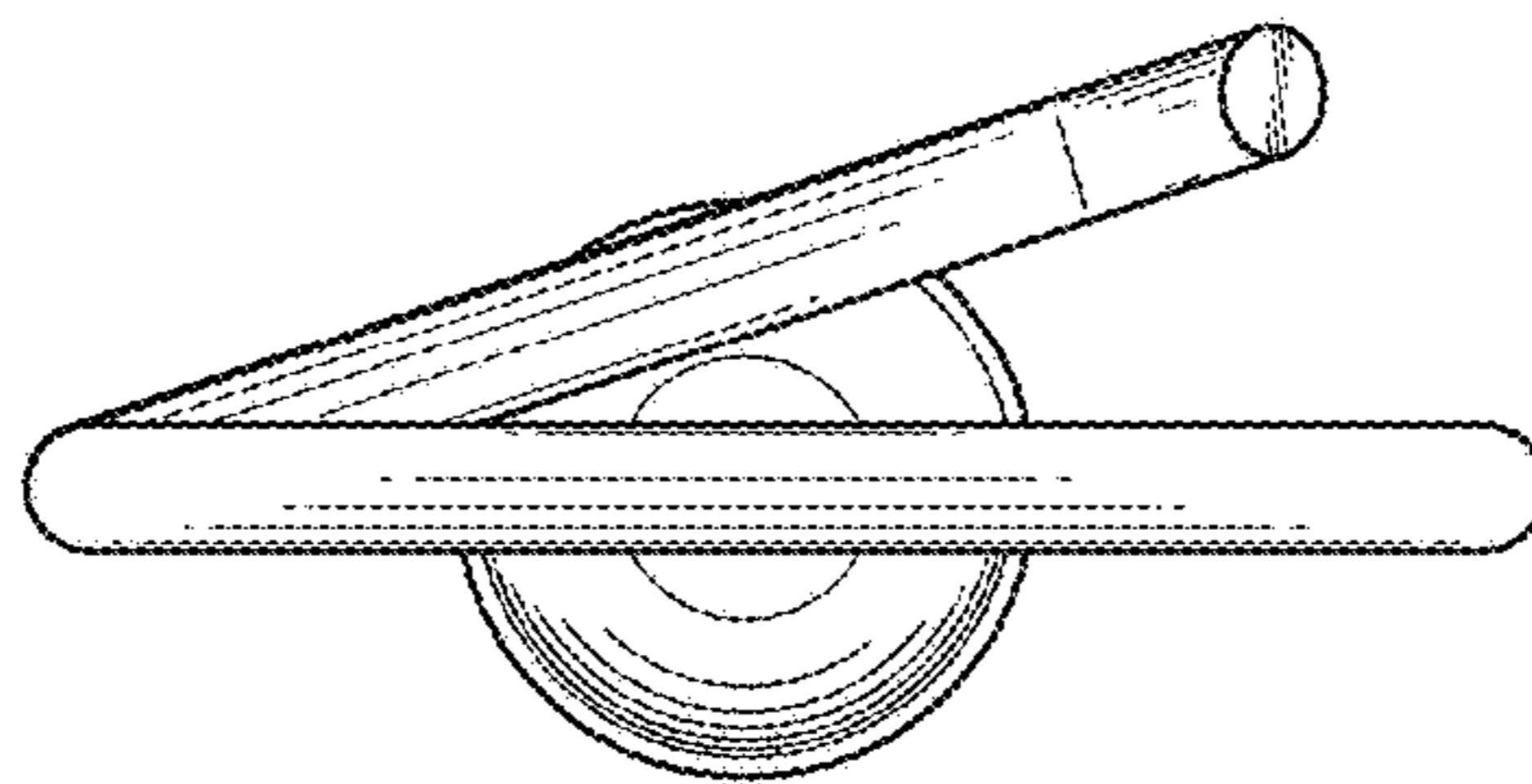


FIG. 8

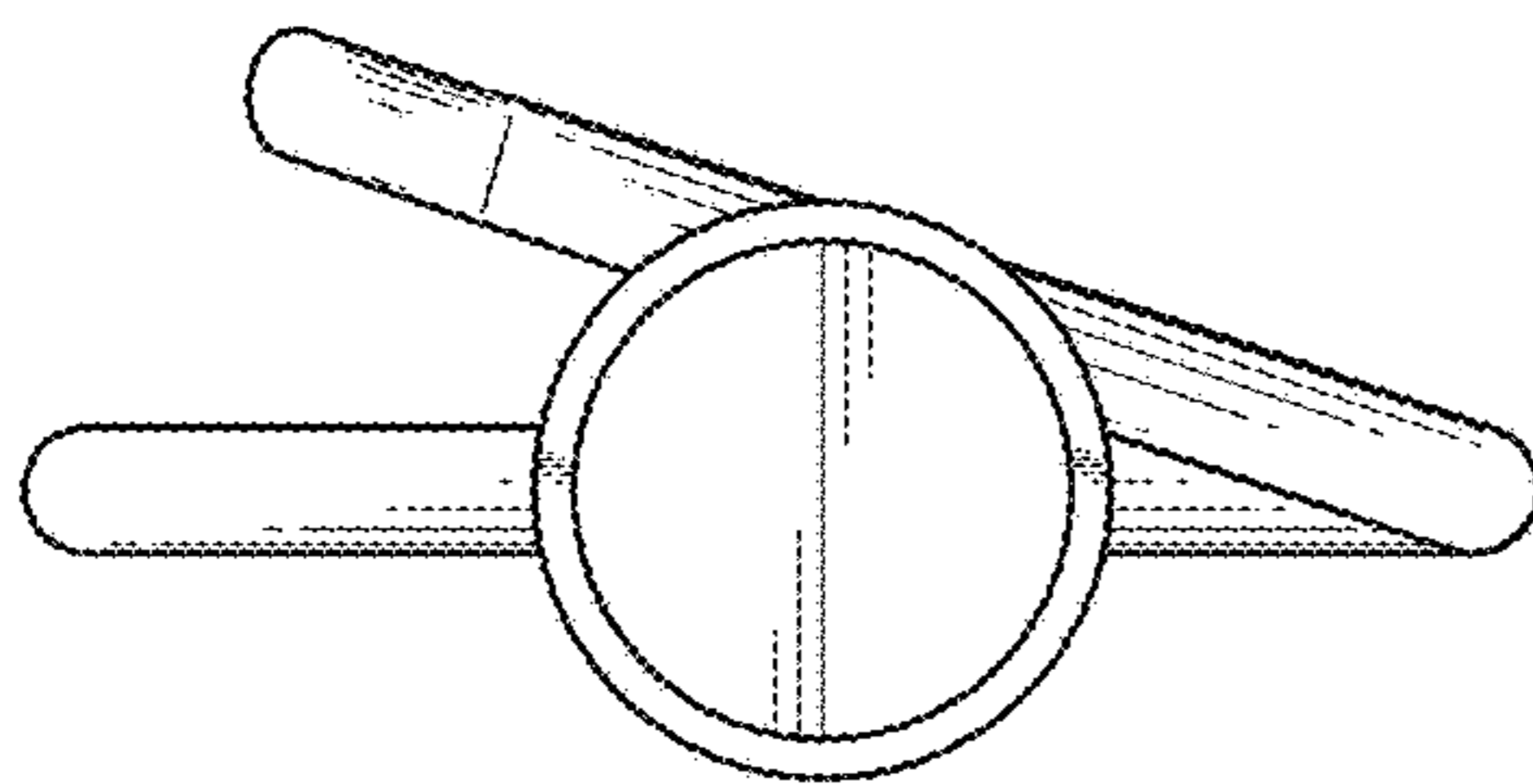


FIG. 9

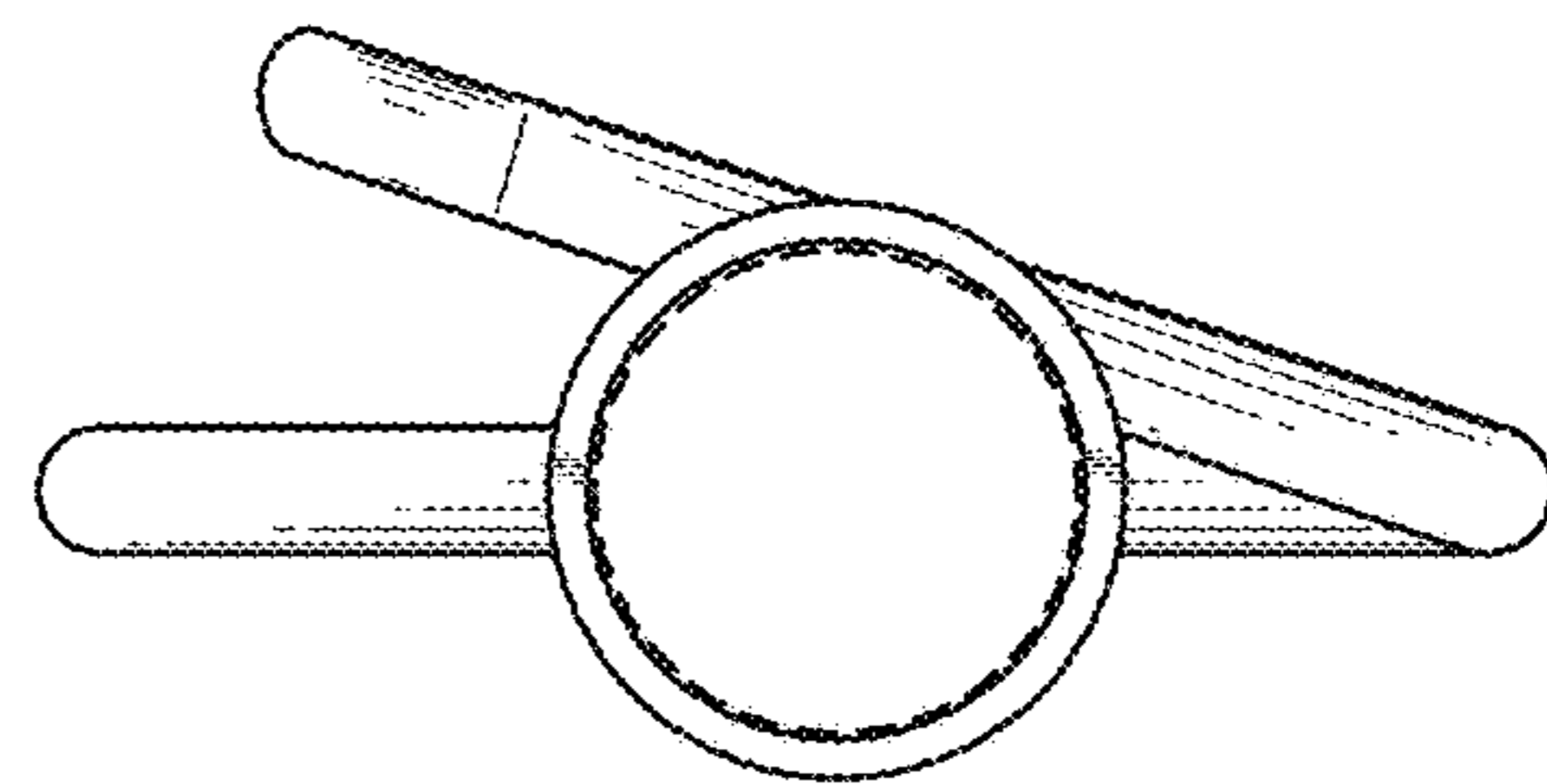


FIG. 10