



US00D787302S

(12) **United States Design Patent** (10) **Patent No.:** **US D787,302 S**
Honein (45) **Date of Patent:** **** May 23, 2017**

- (54) **HANDRAIL BRACKET**
- (71) Applicant: **Jad Honein**, Seattle, WA (US)
- (72) Inventor: **Jad Honein**, Seattle, WA (US)
- (**) Term: **15 Years**
- (21) Appl. No.: **29/532,251**
- (22) Filed: **Jul. 2, 2015**
- (51) **LOC (10) Cl.** **08-05**
- (52) **U.S. Cl.**
USPC **D8/363**
- (58) **Field of Classification Search**
USPC D8/16, 19, 349, 354, 355, 363, 364,
D8/370-373, 376, 380, 381, 382,
D8/384-386; D6/553, 550, 323;
D23/223, 238, 252, 257; D11/208;
D20/15, 41, 42; D12/416; D25/38.1, 39,
D25/43; D3/324, 327, 512, 553, 554,
D3/555
CPC E04F 11/1804; E04F 11/1836; A47K
2201/02; E04G 5/14; E04G 21/3233;
E04G 5/145; E04G 21/3223; E04G 5/001;
E04G 5/061; Y10S 16/90; Y10S 256/06;
Y10T 16/50; Y10T 24/4447; Y10T
29/49826; B66B 23/04; B66B 23/22;
B66B 23/24; F21W 2111/08
See application file for complete search history.

(56) **References Cited**

U.S. PATENT DOCUMENTS

- D216,458 S * 1/1970 Nestrock D25/43
- D240,681 S * 7/1976 Granatelli D6/526
- D419,427 S * 1/2000 Mulder D8/363

- D468,191 S * 1/2003 Burke D8/363
- D646,957 S * 10/2011 Syed D8/363
- D660,687 S * 5/2012 Fritz D8/363
- D699,547 S * 2/2014 Syed D8/363
- D744,321 S * 12/2015 Boynton D8/363
- D753,931 S * 4/2016 Schultz D6/524
- 2015/0204105 A1 * 7/2015 Honein E04F 11/1834
256/65.07
- 2015/0361671 A1 * 12/2015 Honein E04F 11/1804
248/217.4

* cited by examiner

Primary Examiner — Robert M Spear
Assistant Examiner — Eliza Bennett-Hattan
(74) *Attorney, Agent, or Firm* — Seed IP Law Group LLP

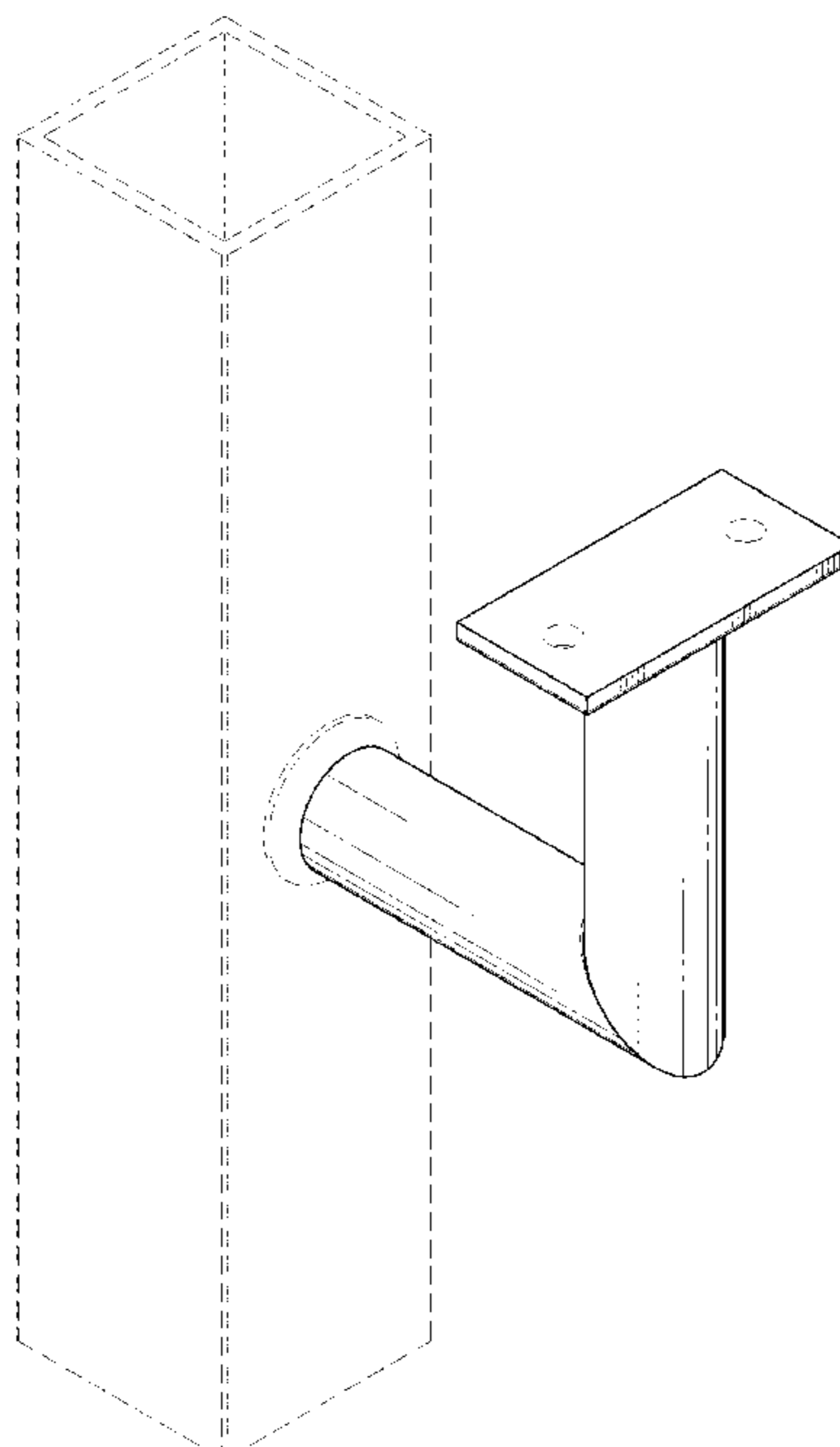
(57) **CLAIM**

The ornamental design for a handrail bracket, as shown and described.

DESCRIPTION

FIG. 1 is an isometric view of a handrail bracket of our new design in an installed environment.
 FIG. 2 is an enlarged isometric view of the handrail bracket of FIG. 1.
 FIG. 3 is a front elevational view thereof.
 FIG. 4 is a back elevational view thereof.
 FIG. 5 is a left side elevational view thereof, the right side elevational view is a mirror image of the left side.
 FIG. 6 is a bottom plan view thereof; and,
 FIG. 7 is a top plan view thereof.
 Shading lines shown in the drawings are intended to represent the three-dimensional contour of the design, and are not intended to indicate surface decoration. The broken lines in FIGS. 1, 2, 4, 6, and 7 depict environmental subject matter only and form no part of the claimed design. Unshaded surfaces form no part of the claim.

1 Claim, 5 Drawing Sheets



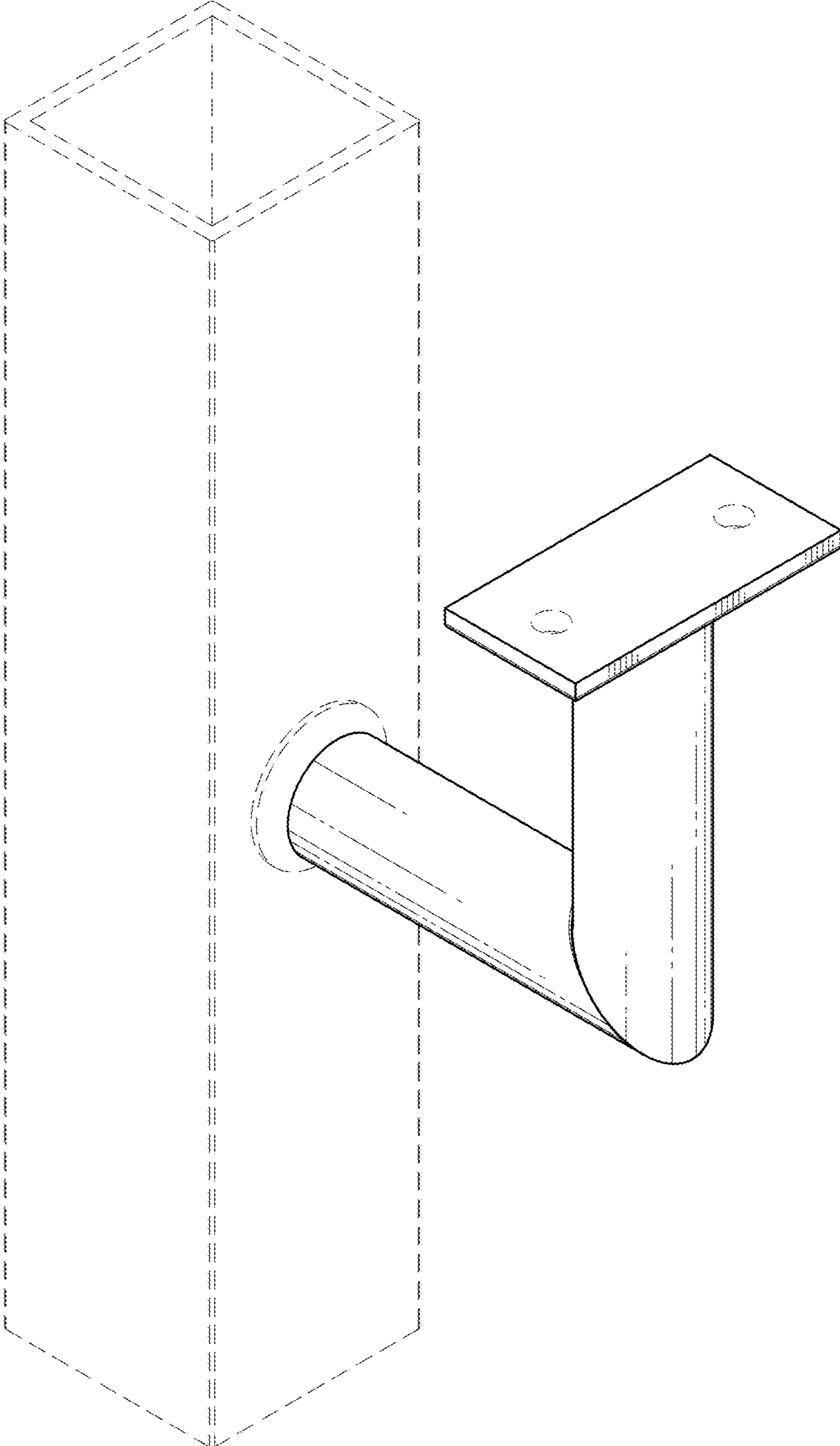


FIG. 1

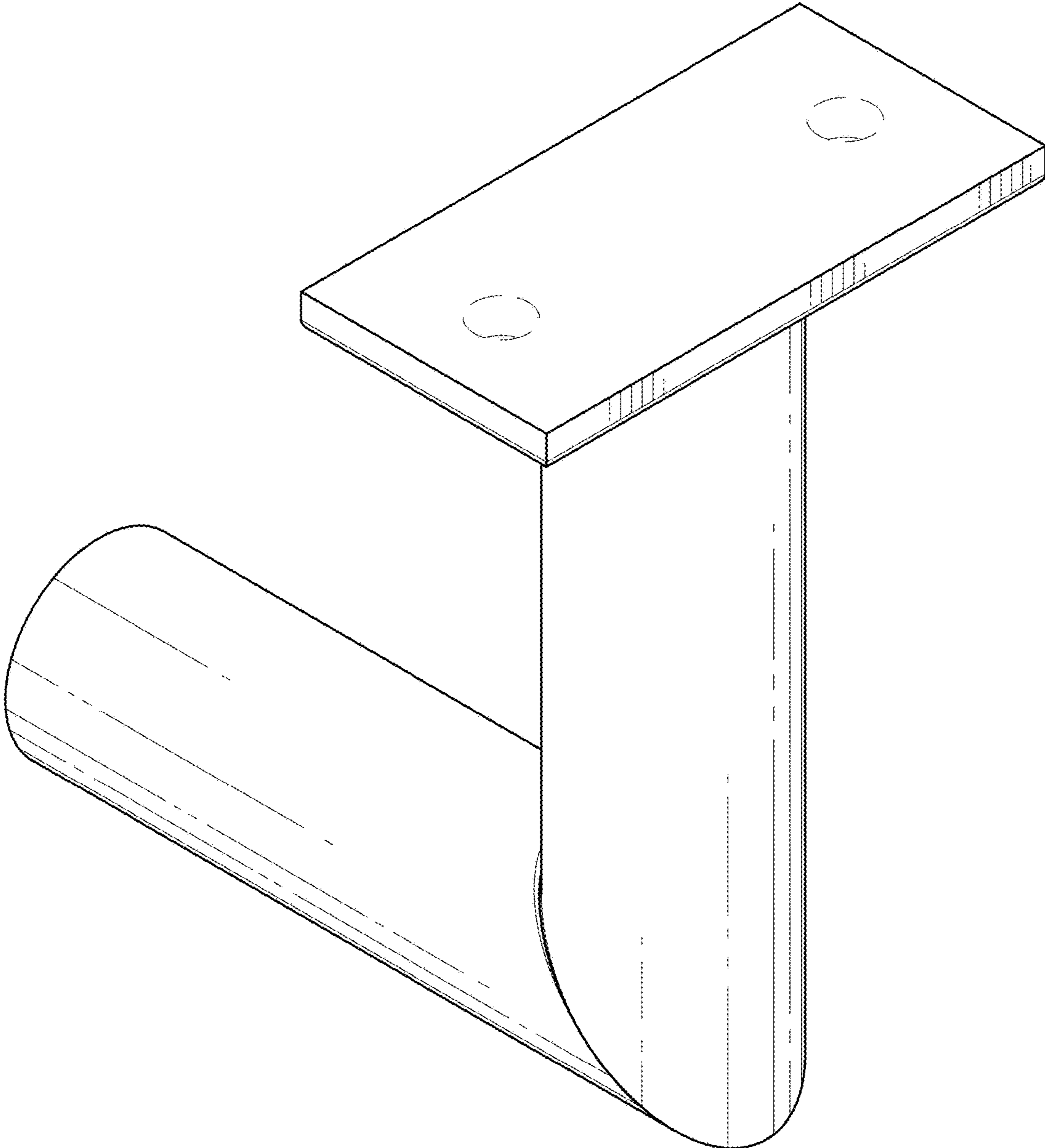


FIG. 2

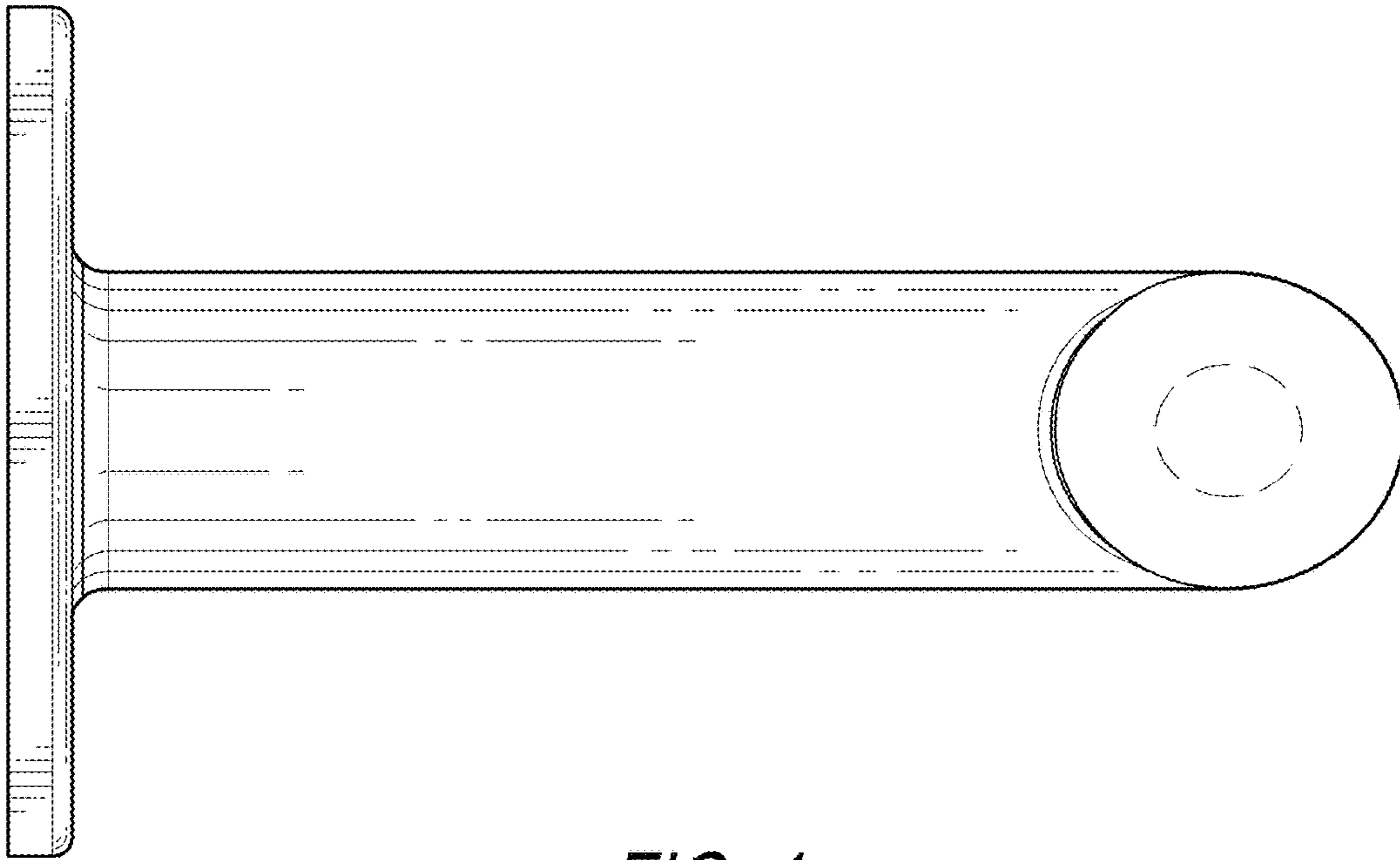


FIG. 4

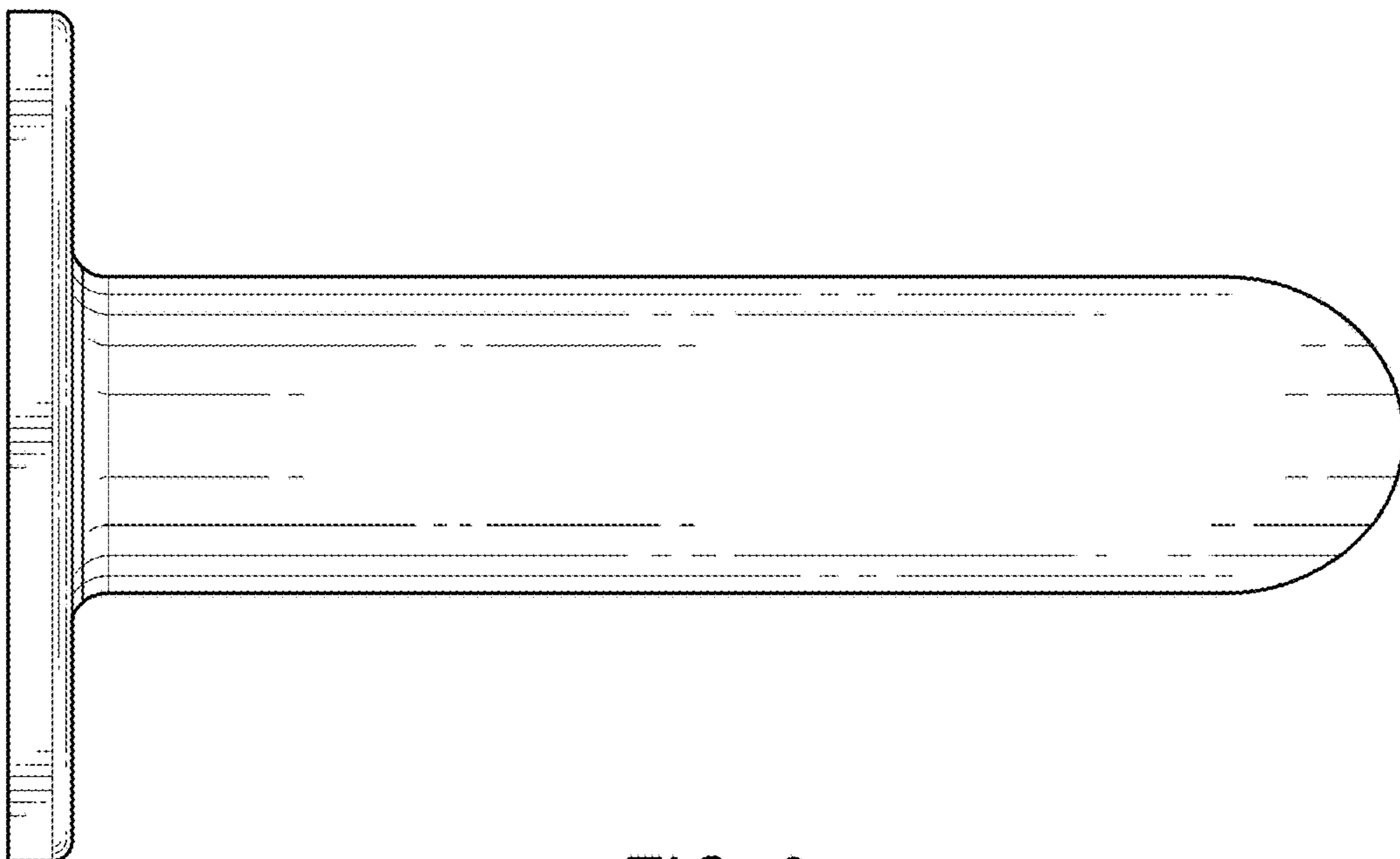


FIG. 3

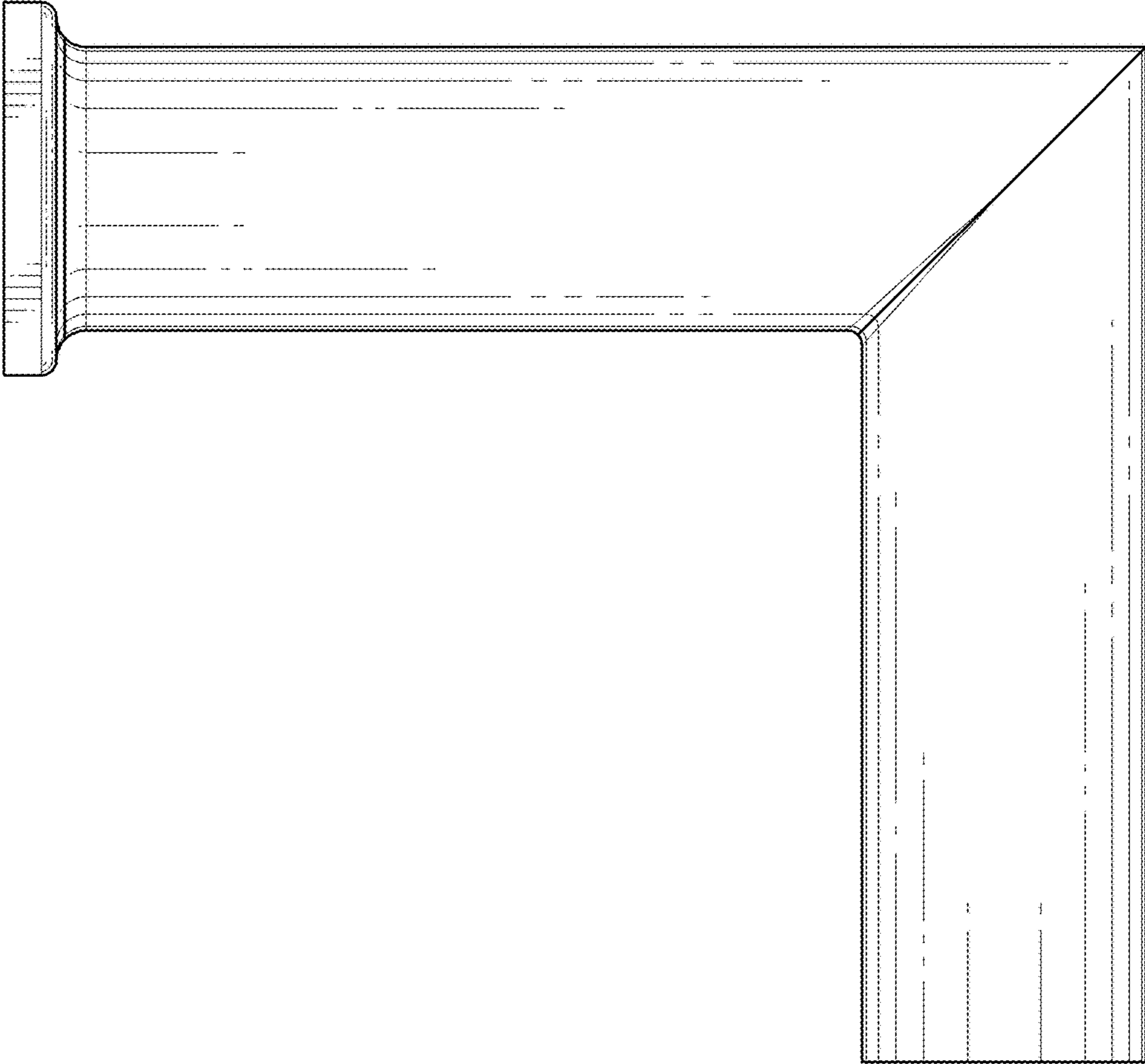


FIG. 5

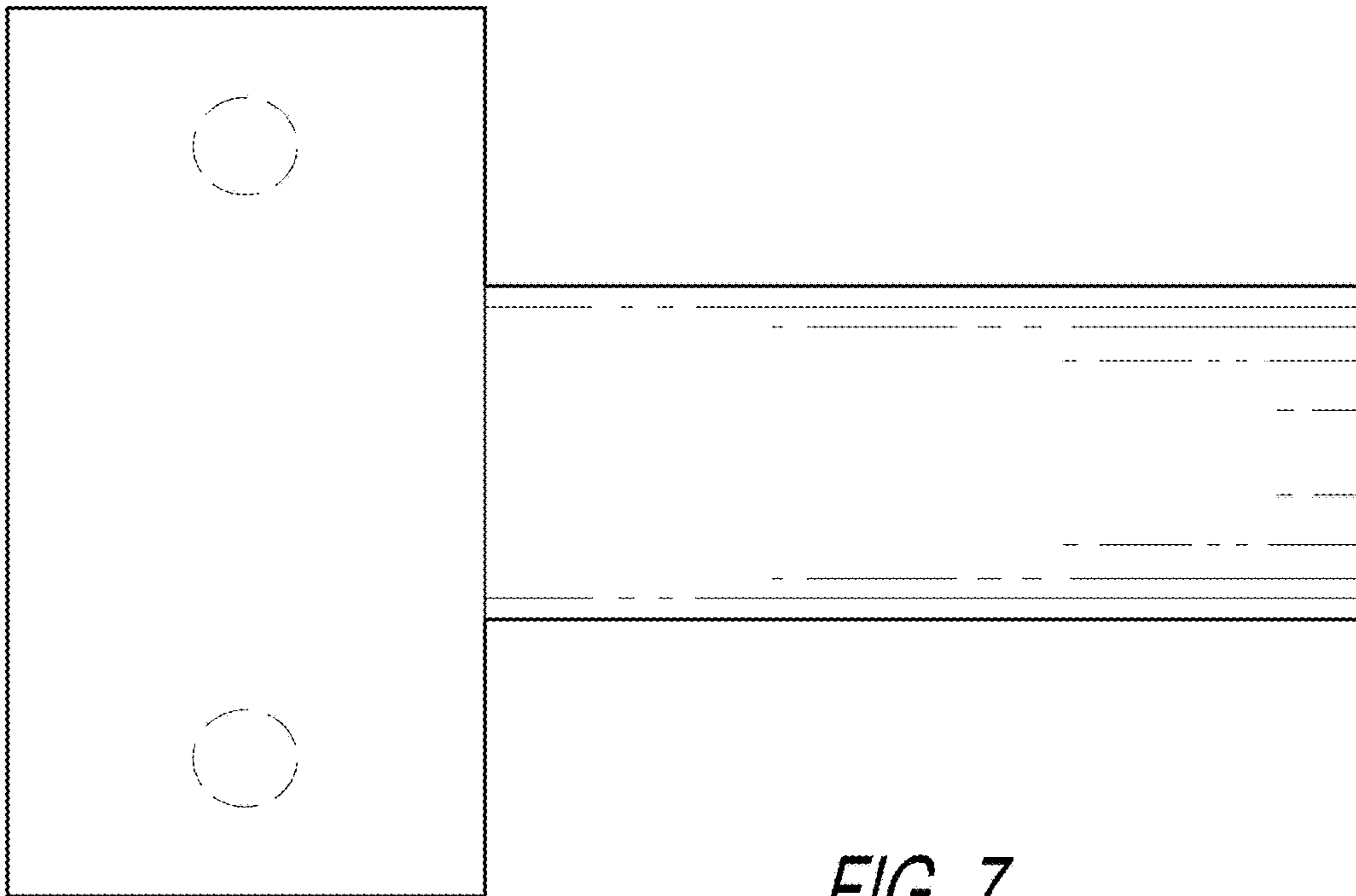


FIG. 7

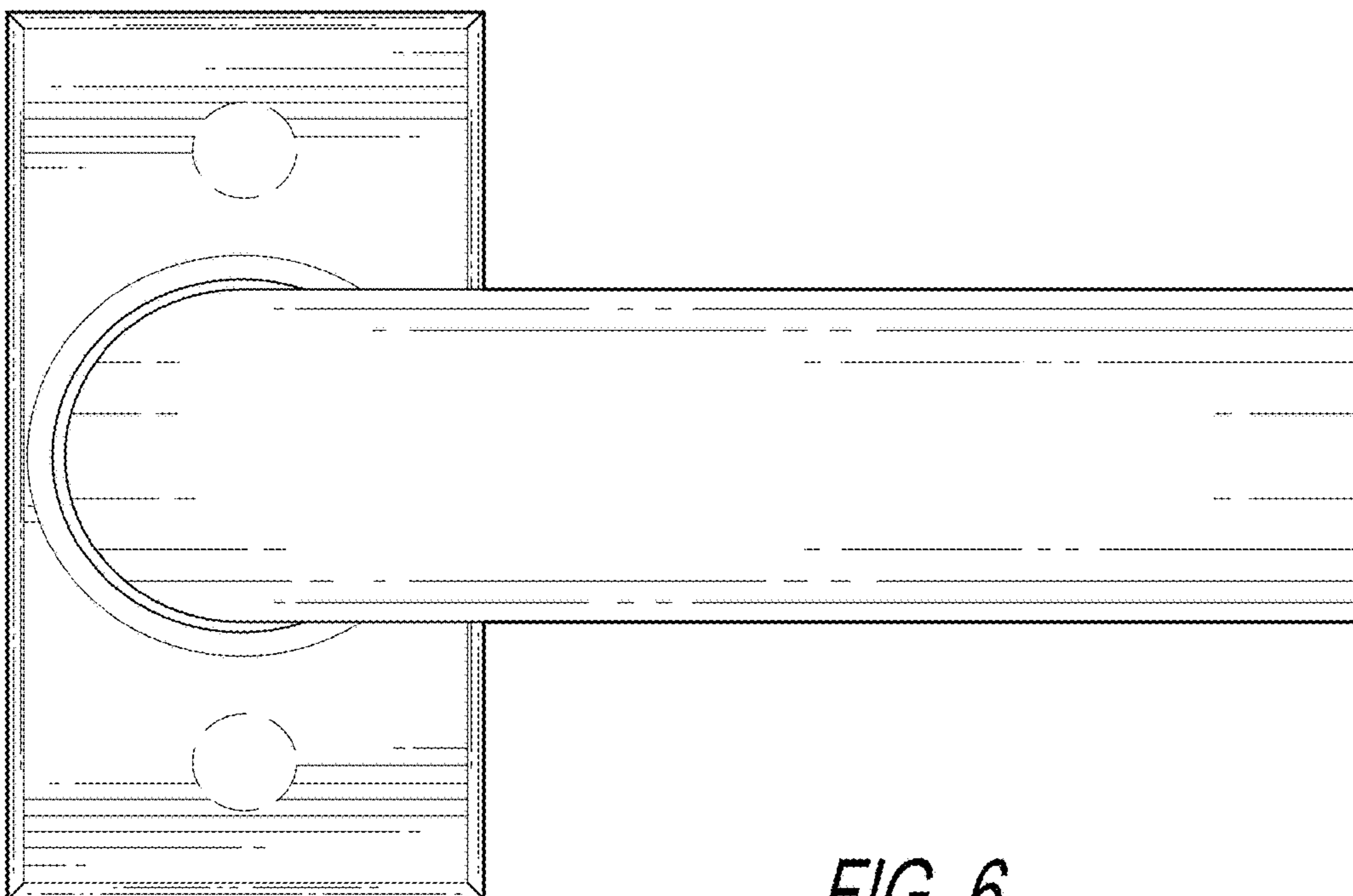


FIG. 6