



US00D787301S

(12) **United States Design Patent**
Bridgewater

(10) **Patent No.:** **US D787,301 S**

(45) **Date of Patent:** **** May 23, 2017**

(54) LATCH	6,460,902 B1 * 10/2002 Kyle	E05C 1/145 114/203
(71) Applicant: GEM Products, Inc. , Orange Park, FL (US)	6,530,250 B1 * 3/2003 Linares	E05B 13/004 292/207
(72) Inventor: Erle Matthew Bridgewater , Ponte Vedra, FL (US)	D475,602 S * 6/2003 McCloskey	D8/331
	D489,958 S * 5/2004 Jackson	D8/331
	D506,120 S * 6/2005 Straka, Jr.	D8/331
	D530,181 S * 10/2006 Straka, Jr.	D8/301
(73) Assignee: GEM PRODUCTS, INC. , Orange Park, FL (US)	7,313,937 B2 * 1/2008 Straka, Jr.	E05B 13/10 292/336.3
	D596,920 S * 7/2009 Cotton	D8/331
(**) Term: 15 Years	D621,685 S * 8/2010 Sarnowski	D8/331
	D761,635 S * 7/2016 Bridgewater	D8/331

* cited by examiner

(21) Appl. No.: **29/565,394**

(22) Filed: **May 20, 2016**

Related U.S. Application Data

(62) Division of application No. 29/513,863, filed on Jan. 6, 2015, now Pat. No. Des. 761,635.

(51) **LOC (10) Cl.** **08-07**

(52) **U.S. Cl.**
USPC **D8/331**

(58) **Field of Classification Search**
USPC D8/330, 331, 335, 339, 302, 343;
70/141, 208, 129, 14; 292/336.3, 169,
292/358, 359, 170, 175, 165, 224,
292/140-145, 240-242, DIG. 14, DIG. 30,
292/DIG. 31, DIG. 4, 205
CPC E05B 13/10; E05B 15/00; E05B 65/06;
E05C 3/04; E05C 1/04
See application file for complete search history.

(56) **References Cited**

U.S. PATENT DOCUMENTS

D324,636 S *	3/1992	Schlack	D8/306
6,109,669 A *	8/2000	Pinkow	E05C 1/145 292/175

Primary Examiner — Prabhakar Deshmukh

(74) *Attorney, Agent, or Firm* — Seyfarth Shaw LLP

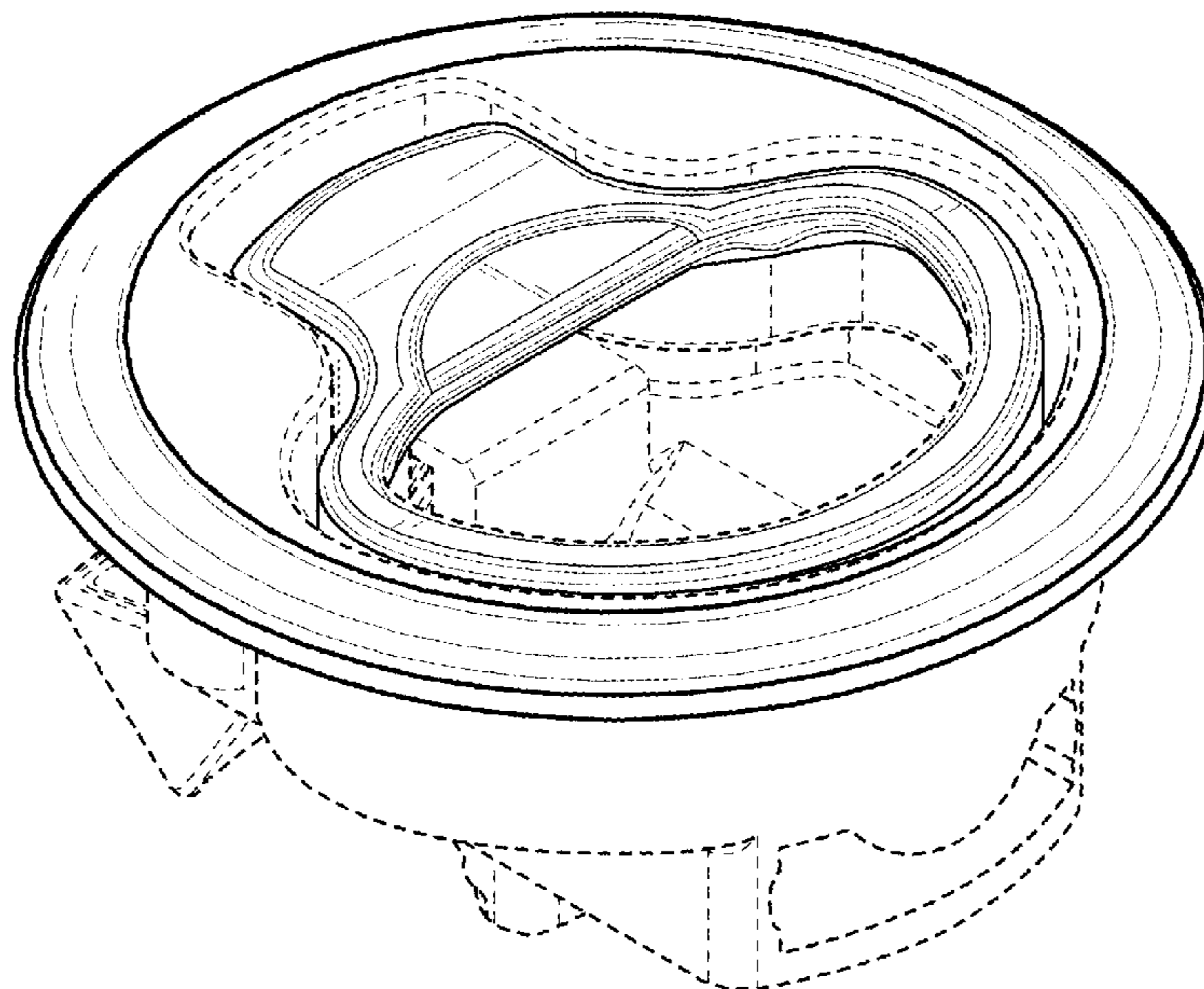
(57) **CLAIM**

The ornamental design for a latch, as shown and described.

DESCRIPTION

FIG. 1 is a top perspective view of a latch showing my new design;
FIG. 2 is a top view thereof;
FIG. 3 is a bottom view thereof;
FIG. 4 is a left-side view thereof;
FIG. 5 is a right-side view thereof;
FIG. 6 is a front view thereof; and,
FIG. 7 is a rear view thereof.
The broken lines illustrate unclaimed portions and form no part of the claimed design.

1 Claim, 7 Drawing Sheets



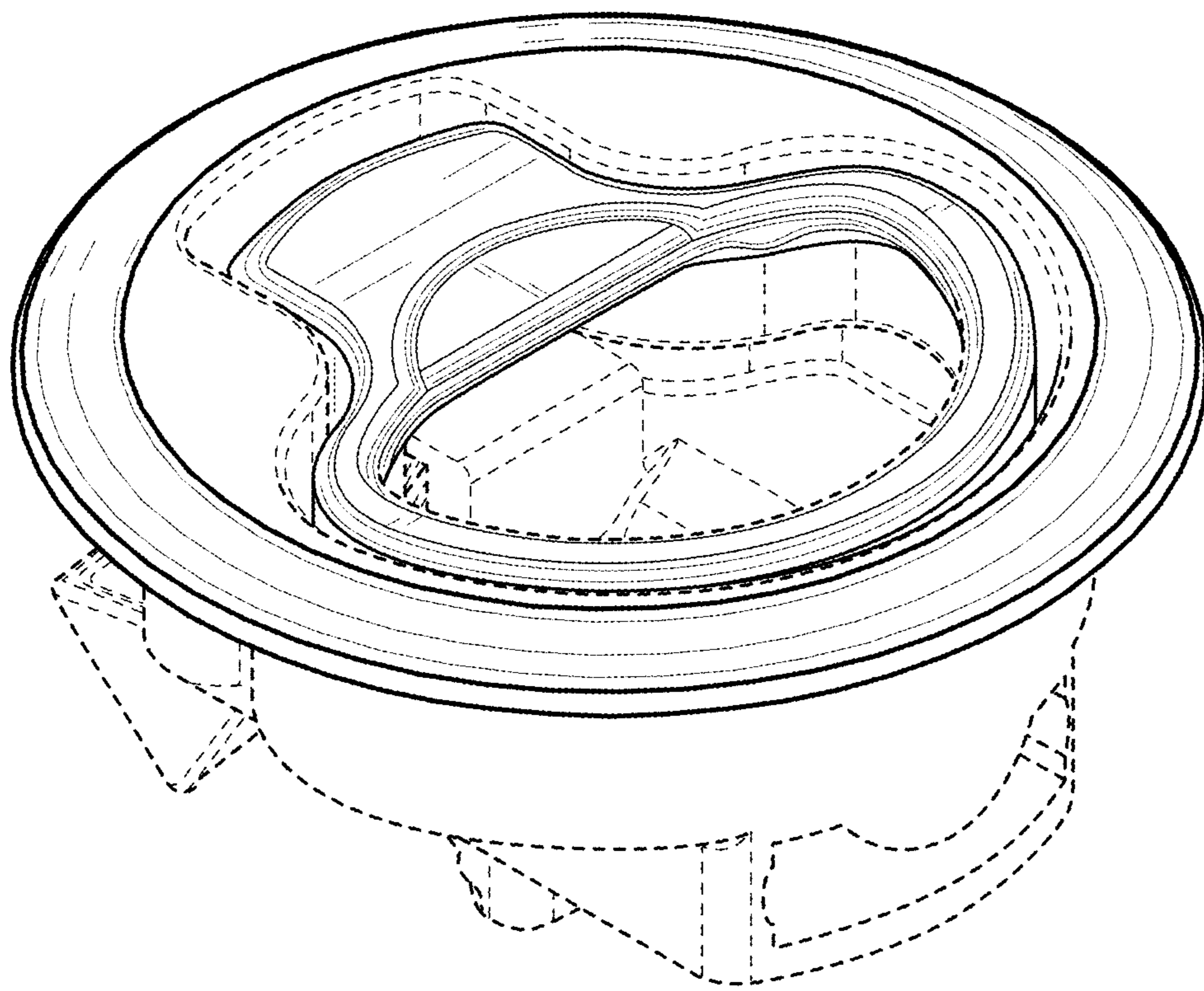


FIG. 1

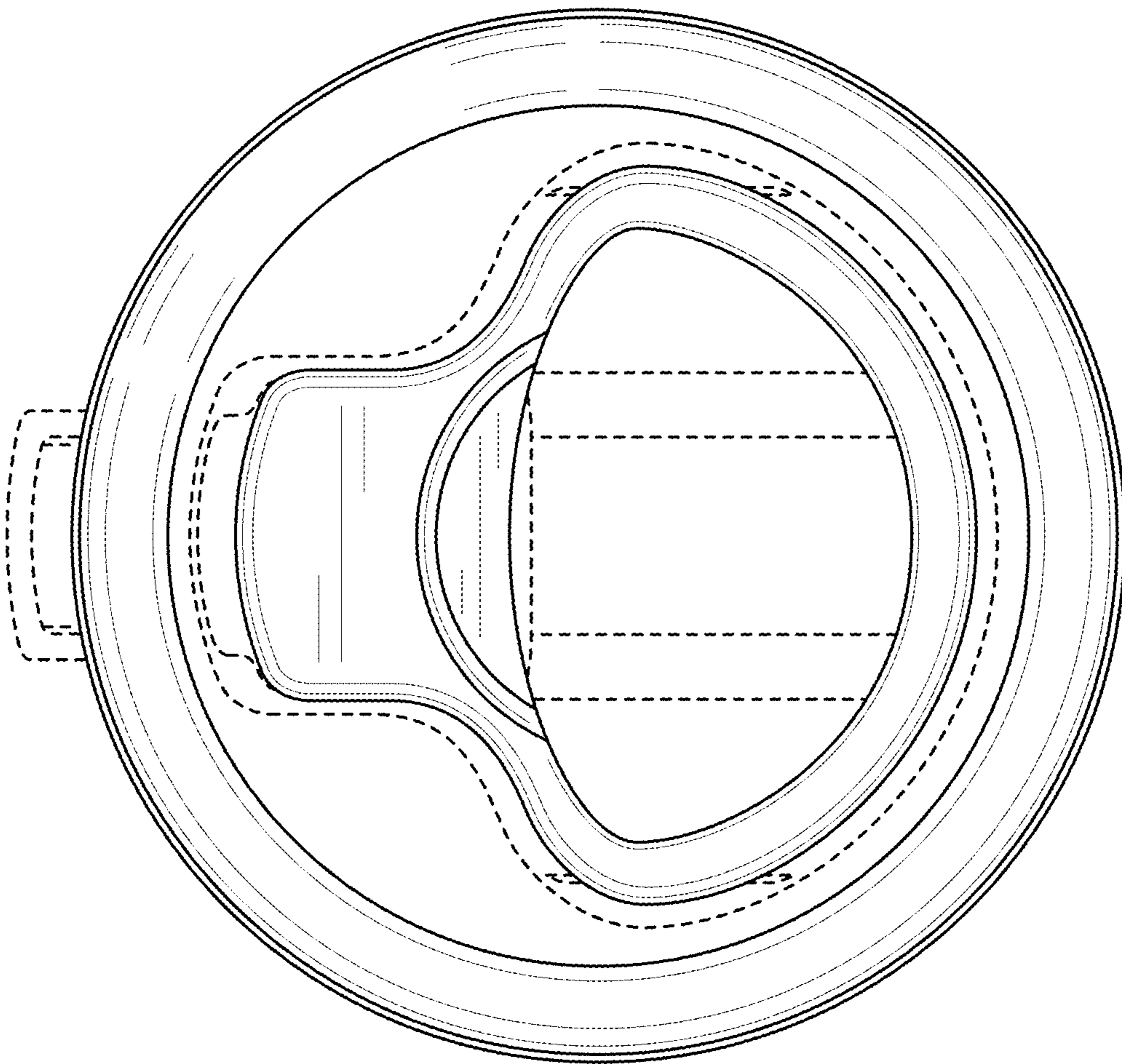


FIG. 2

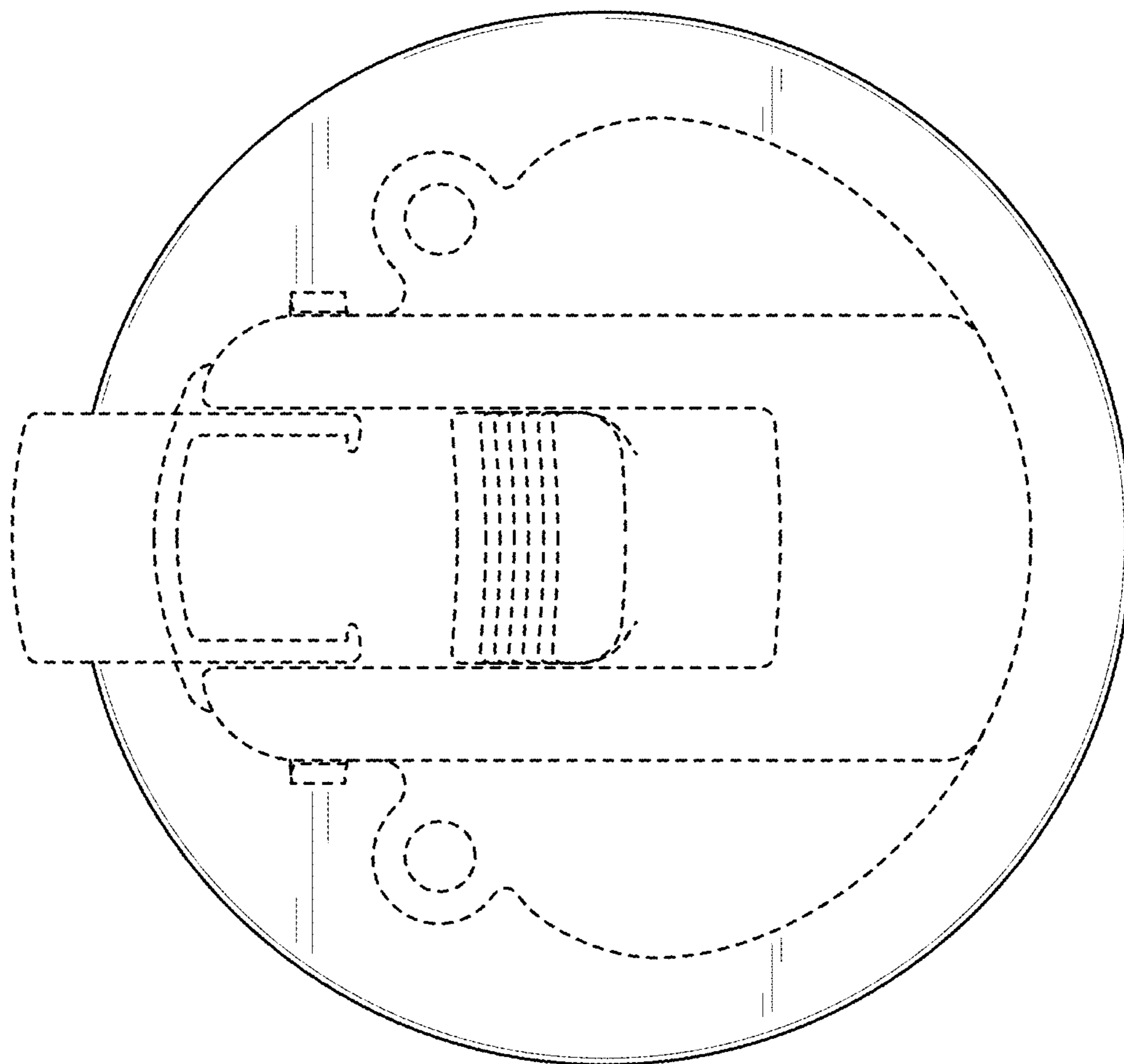


FIG. 3

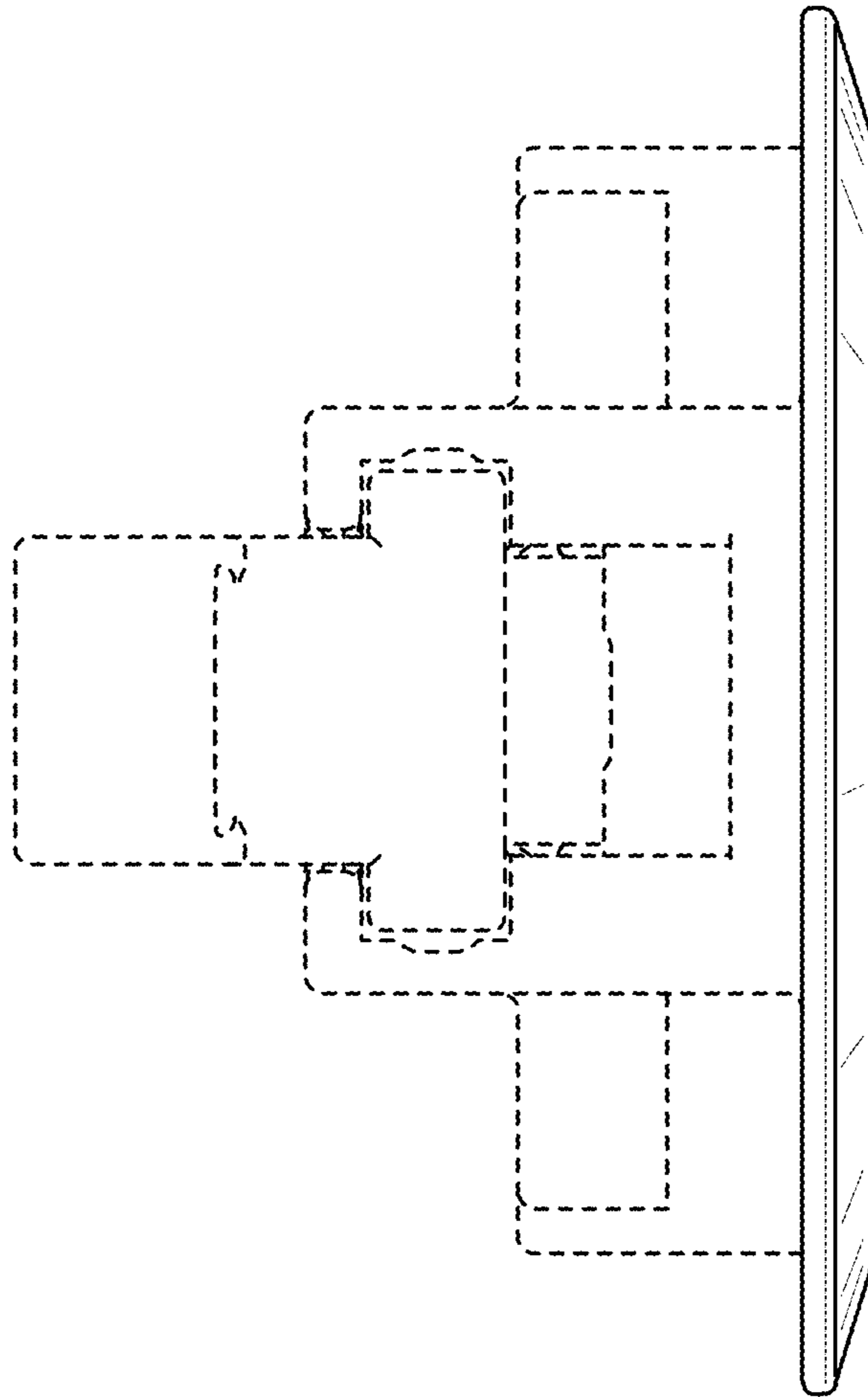


FIG. 4

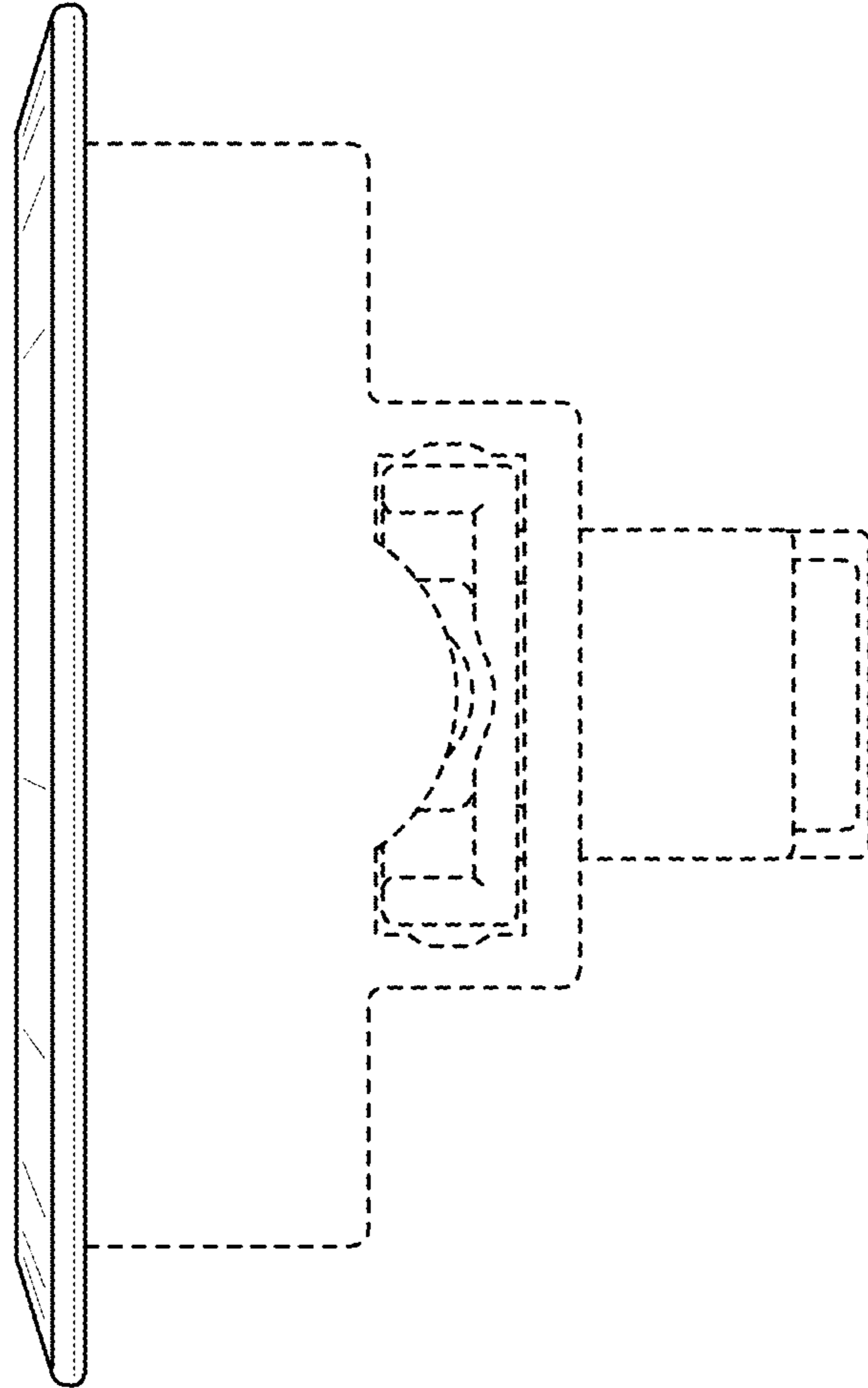


FIG. 5

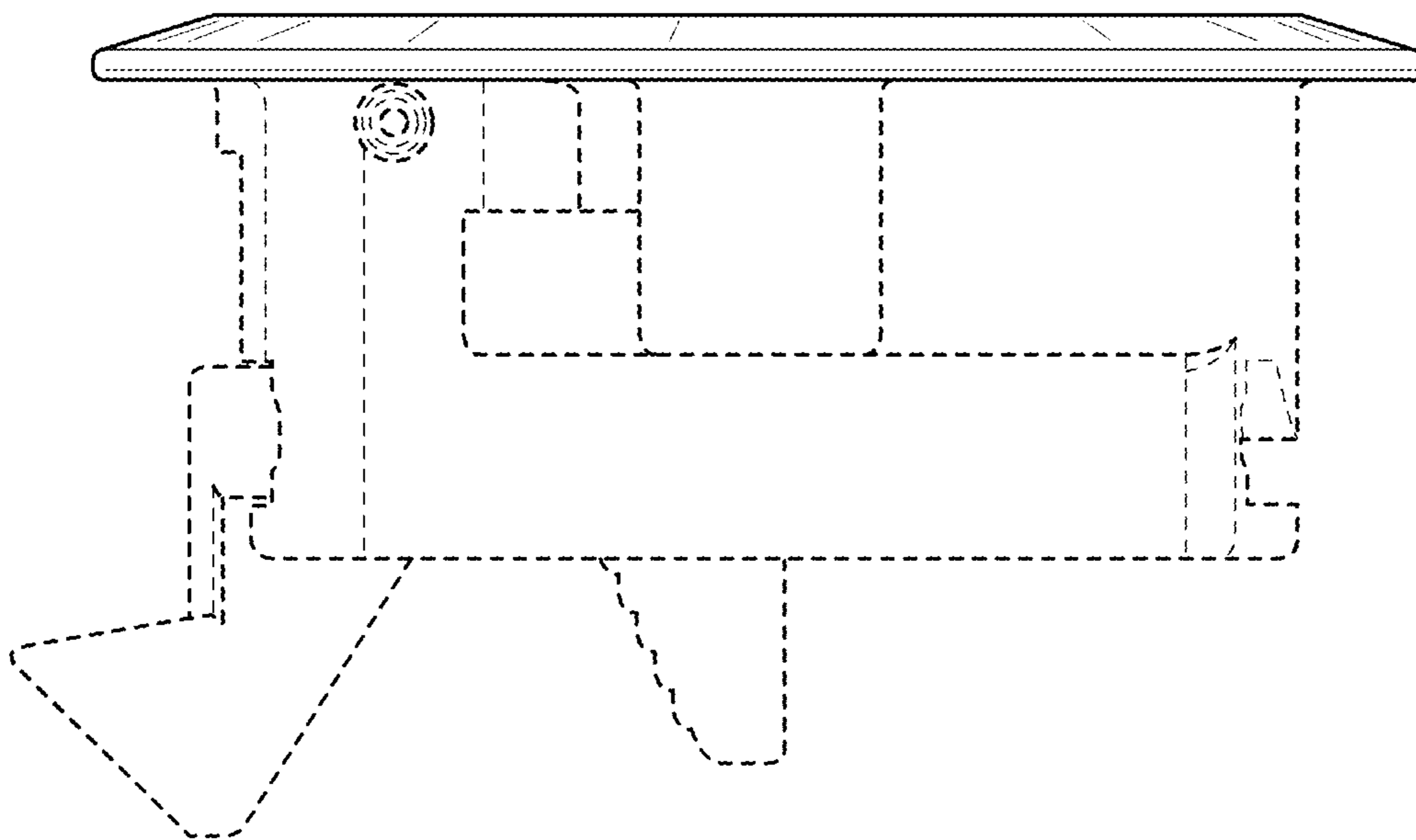


FIG. 6

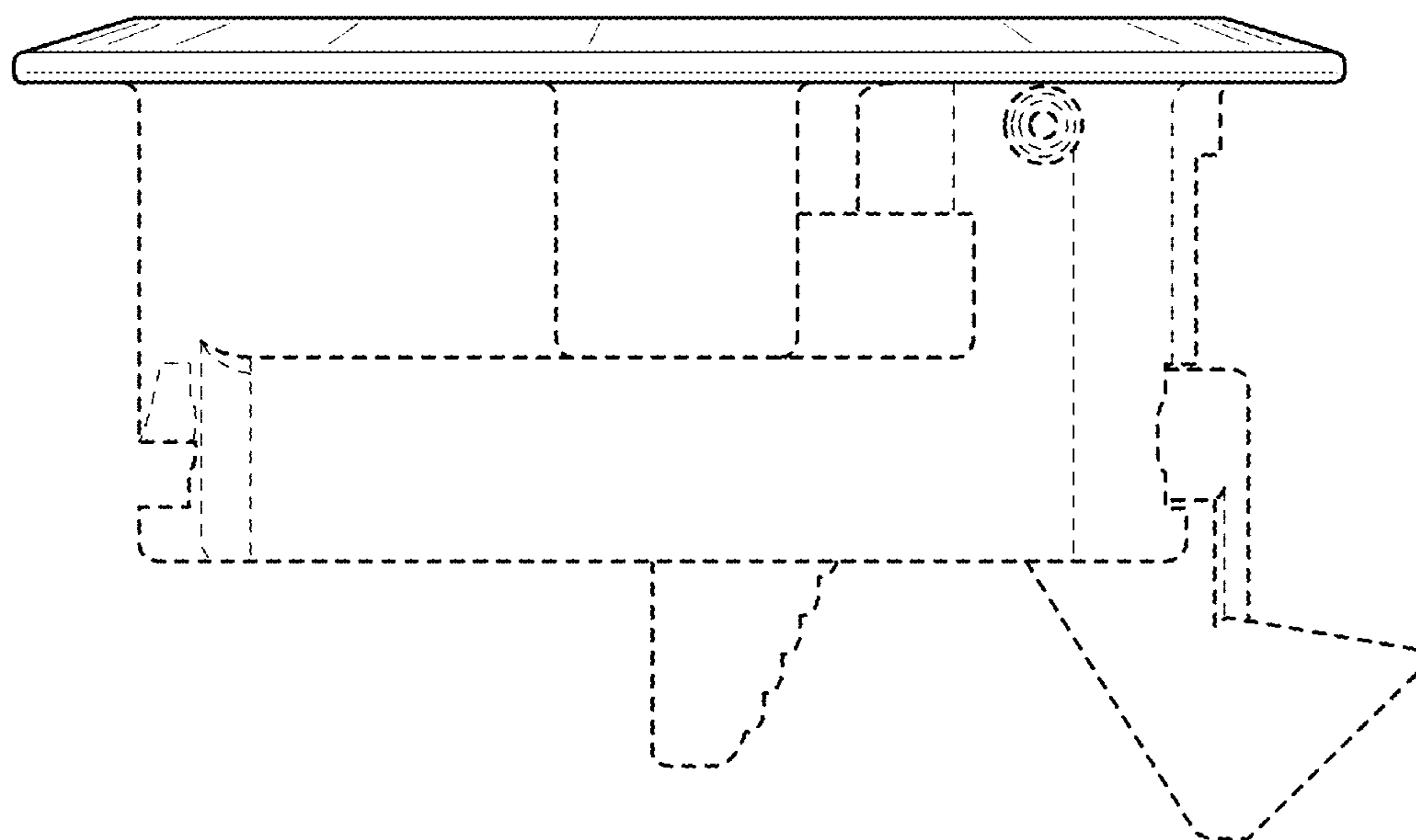


FIG. 7