



US00D787300S

(12) **United States Design Patent**
Ocklenburg

(10) **Patent No.:** **US D787,300 S**

(45) **Date of Patent:** **** May 23, 2017**

(54) **LOCK**
(71) Applicant: **ABUS August Bremicker Söhne KG,**
Wetter-Volmarstein (DE)
(72) Inventor: **Matthias Ocklenburg,** Darmstadt (DE)
(73) Assignee: **ABUS August Bremicker Söhne KG,**
Wetter-Volmarstein (DE)

5,749,251 A * 5/1998 Keefe A63C 11/007
211/70.5
6,860,126 B2 * 3/2005 Ling E05B 37/025
70/30
7,140,210 B2 * 11/2006 Cheng E05B 73/0005
70/14

(**) Term: **15 Years**
(21) Appl. No.: **29/556,633**

(Continued)
Primary Examiner — Prabhakar Deshmukh
(74) *Attorney, Agent, or Firm* — Dinsmore & Shohl LLP

(22) Filed: **Mar. 2, 2016**

(57) **CLAIM**
The ornamental design for a lock, as shown and described.

(30) **Foreign Application Priority Data**

DESCRIPTION

Sep. 2, 2015 (EM) 002764720.0001
Sep. 2, 2015 (EM) 002764720.0003
Sep. 2, 2015 (EM) 002764720.0005

FIG. 1 is a perspective view of a lock showing my new design;
FIG. 2 is a front elevational view thereof;
FIG. 3 is a left side elevational view thereof;
FIG. 4 is a right side elevational view thereof;
FIG. 5 is a bottom view thereof;
FIG. 6 is a top view thereof;
FIG. 7 is a rear elevational view thereof;
FIG. 8 is a perspective view of a second embodiment of the lock;
FIG. 9 is a front elevational view thereof;
FIG. 10 is a left side elevational view thereof;
FIG. 11 is a right side elevational view thereof;
FIG. 12 is a top view thereof;
FIG. 13 is a bottom view thereof;
FIG. 14 is a rear elevational view thereof;
FIG. 15 is a perspective view of a third embodiment of the lock;
FIG. 16 is a front elevational view thereof;
FIG. 17 is a left side elevational view thereof;
FIG. 18 is a right rear elevational view thereof;
FIG. 19 is a top view thereof;
FIG. 20 is a bottom view thereof; and,
FIG. 21 is a rear elevational view thereof.
The broken lines indicate environment and forms no part of the claimed design.

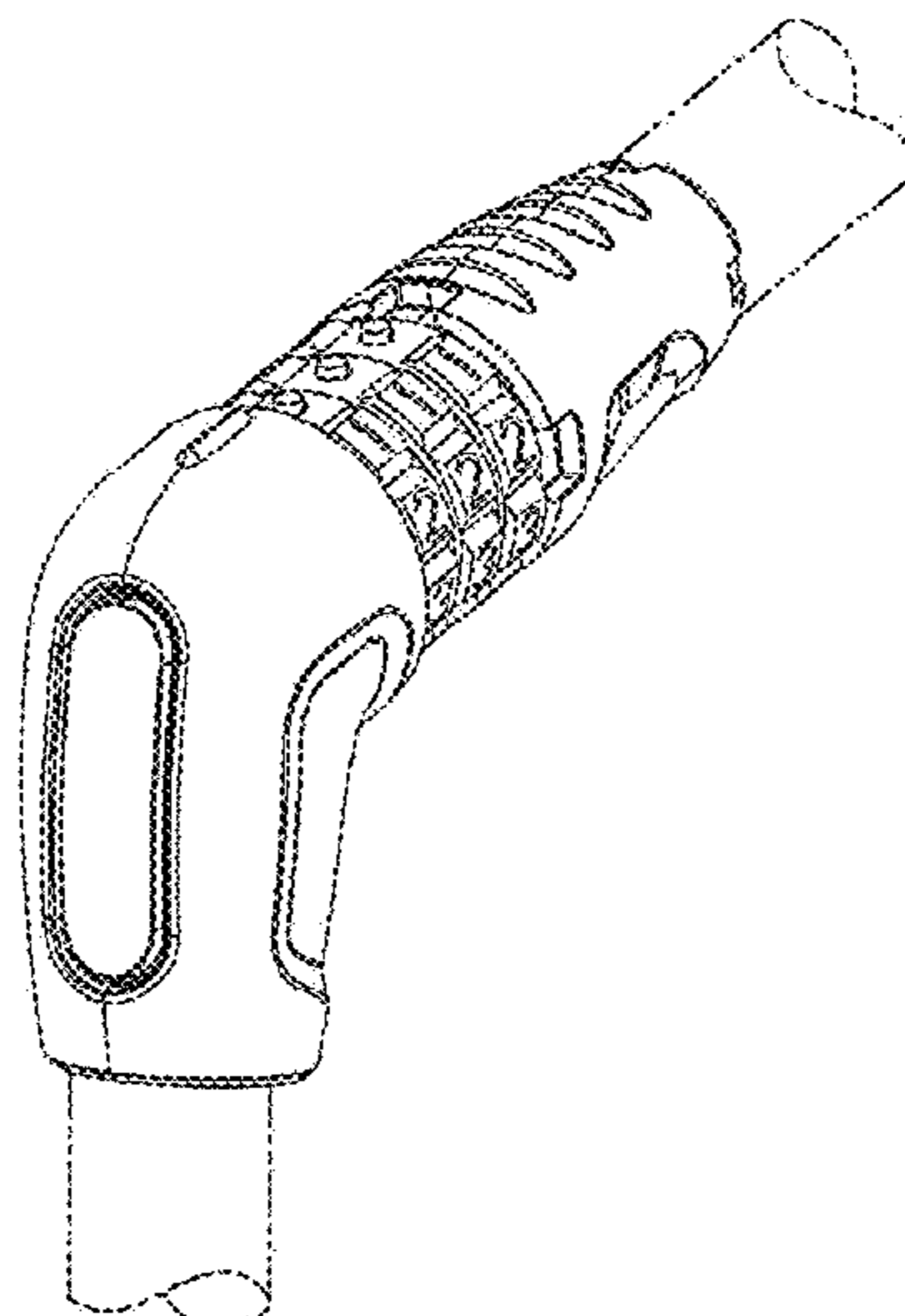
(51) **LOC (10) Cl.** **08-07**
(52) **U.S. Cl.**
USPC **D8/331**; D8/333; D8/334
(58) **Field of Classification Search**
USPC D8/330, 331, 333, 334, 339–341, 343,
D8/349; 70/20, 30, 31, 38 A, 38 R, 51,
70/52, 57.1, 141, 233, 431, 49, 26, 312,
70/23, 22, 315–318
CPC E05B 37/00; E05B 37/02; E05B 37/08;
E05B 69/00; E05B 67/003; E05B 67/06;
E05B 71/00
See application file for complete search history.

(56) **References Cited**

U.S. PATENT DOCUMENTS

4,302,955 A * 12/1981 Kawakami E05B 37/08
70/30
D274,125 S * 6/1984 Hardesty D8/340
D332,387 S * 1/1993 Ling D8/333

1 Claim, 6 Drawing Sheets



(56)

References Cited

U.S. PATENT DOCUMENTS

D553,105 S *	10/2007	Heller	D13/184
D564,338 S *	3/2008	Lu	D8/331
7,412,854 B2 *	8/2008	Raemisch	E05B 37/0034
			70/30
D667,286 S *	9/2012	Wu	D8/330
D670,994 S *	11/2012	Wu	D8/343
D688,114 S *	8/2013	Stevens	D8/334
D707,101 S *	6/2014	Stevens	D8/331

* cited by examiner

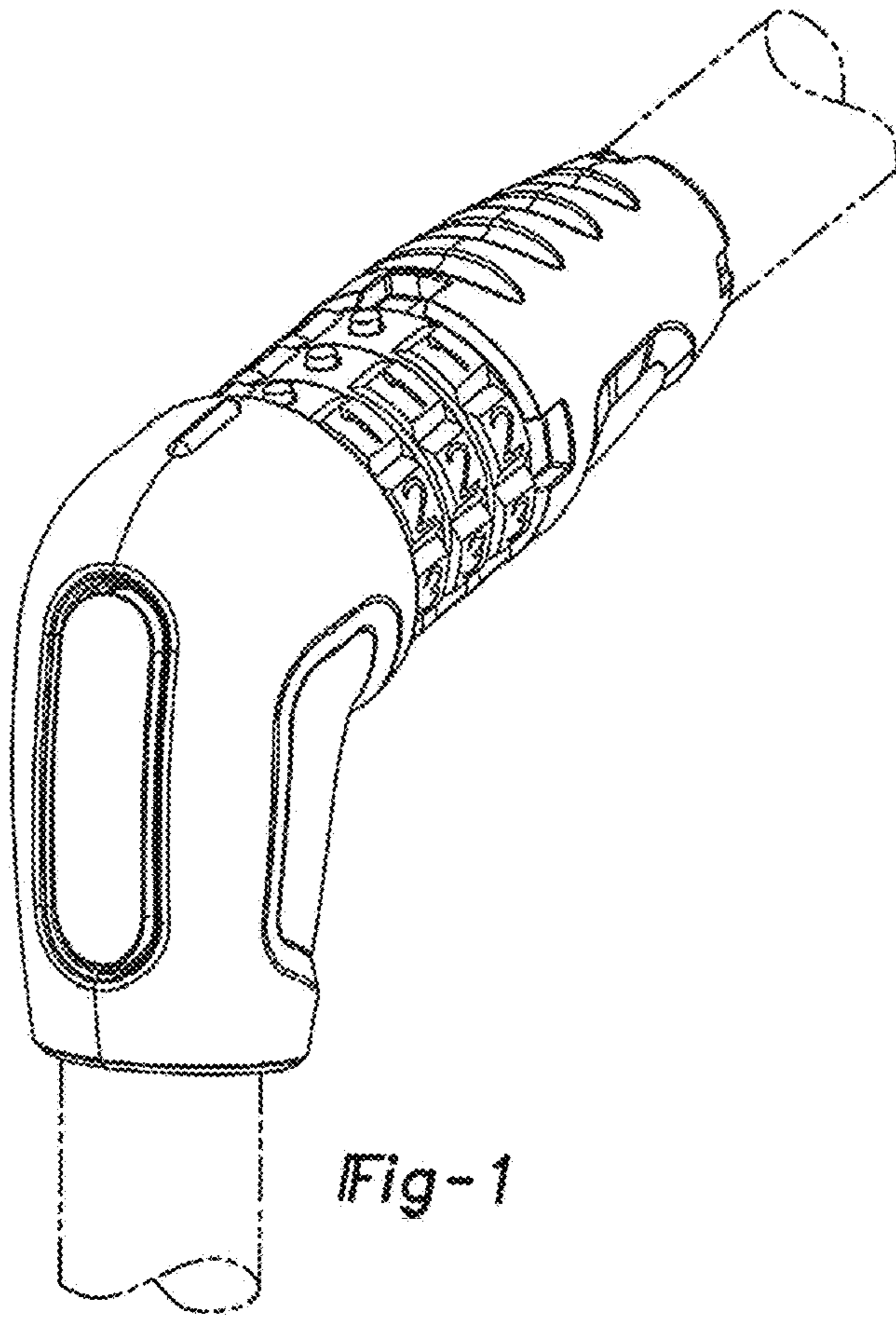


Fig-1

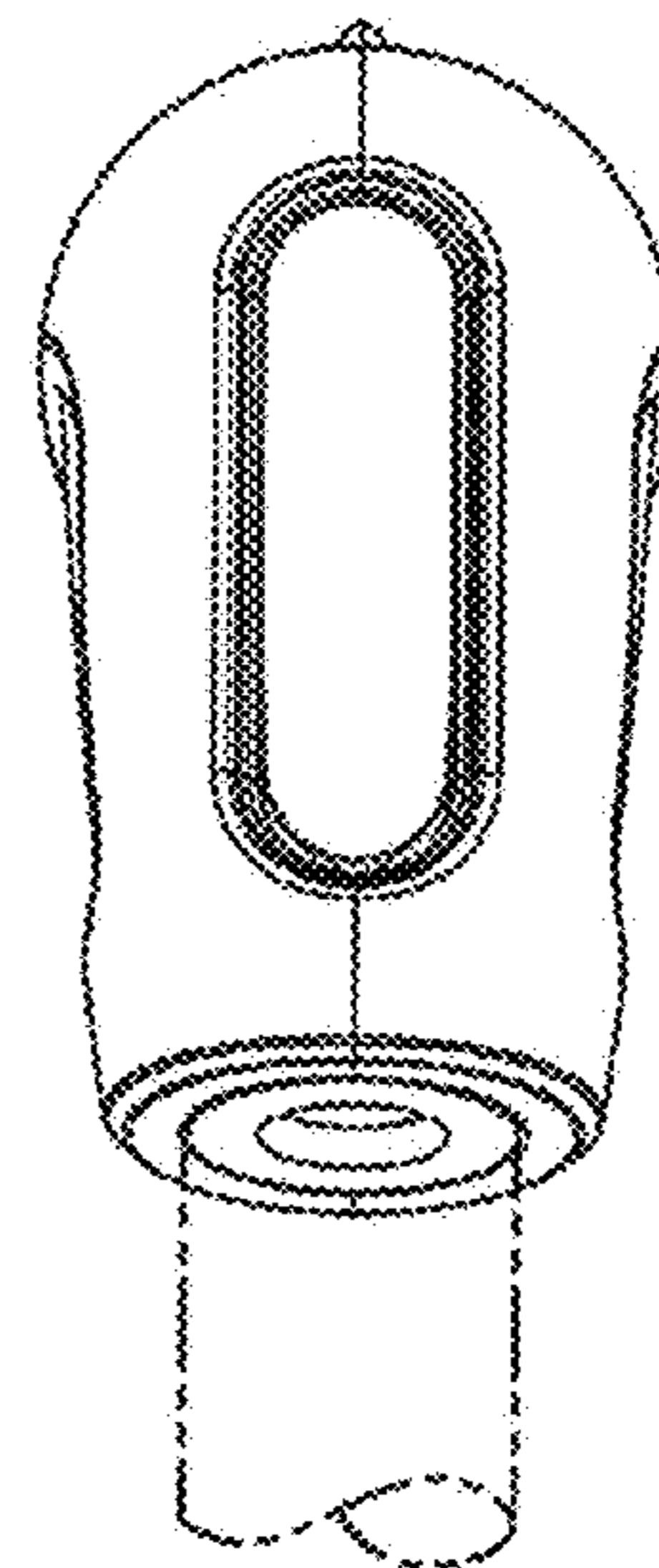


Fig-2

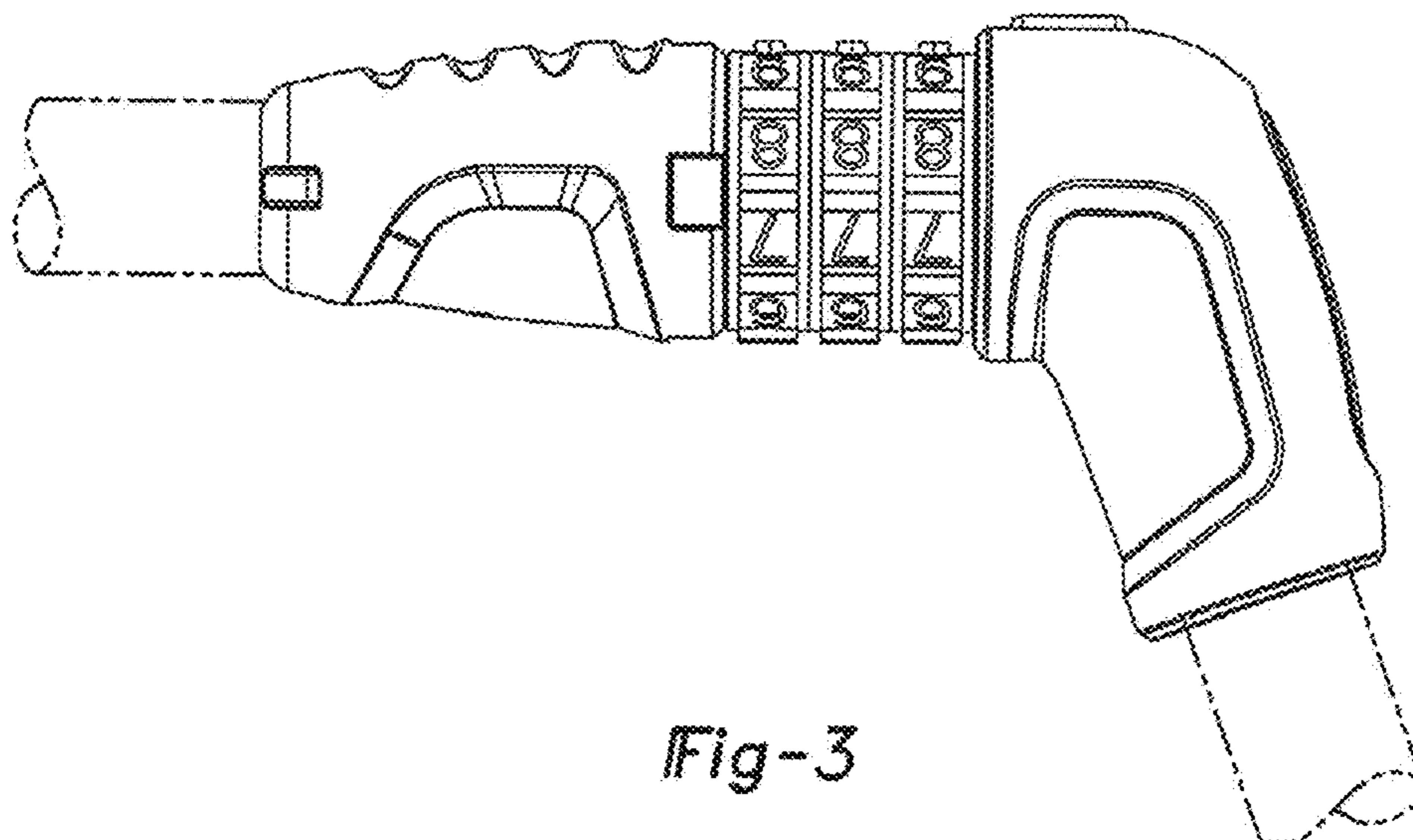


Fig-3

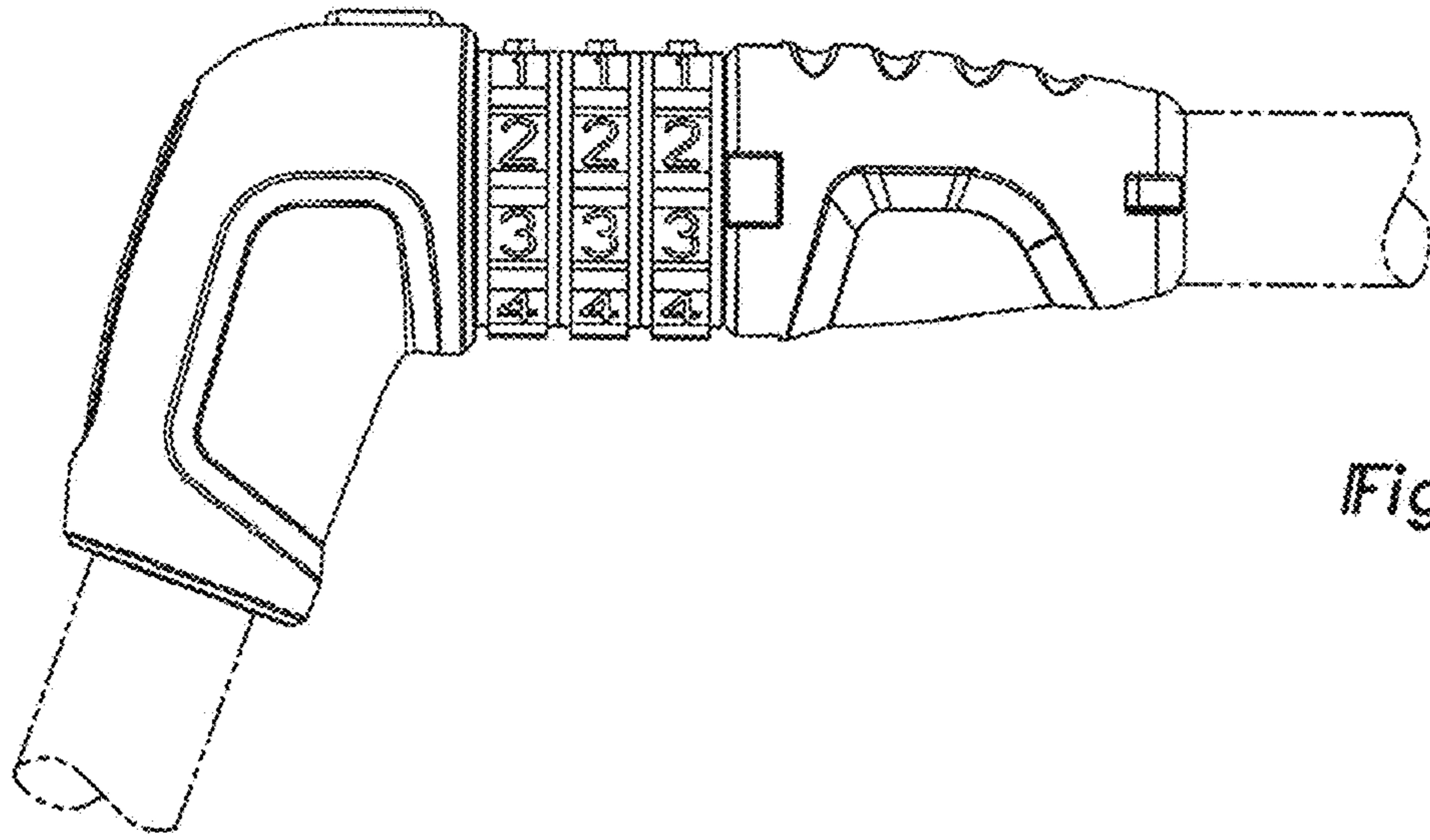


Fig-4

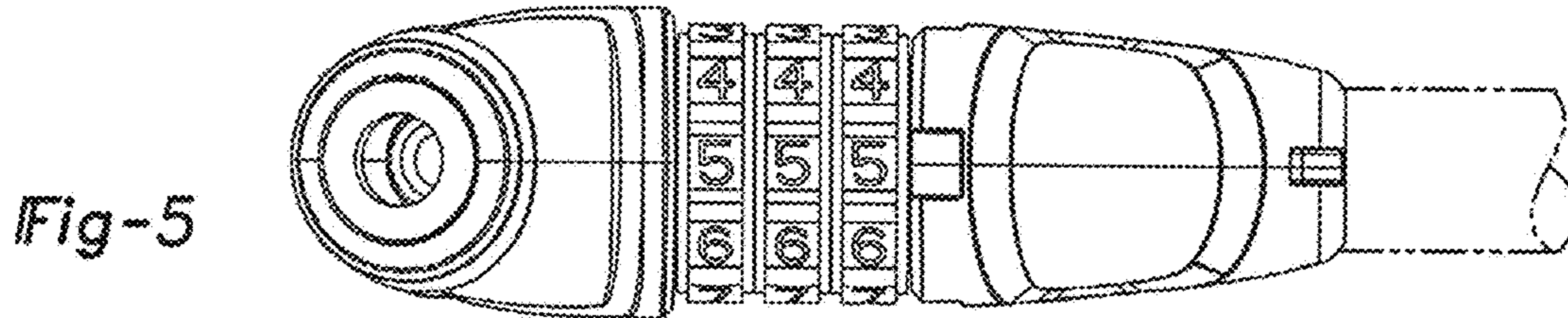


Fig-5

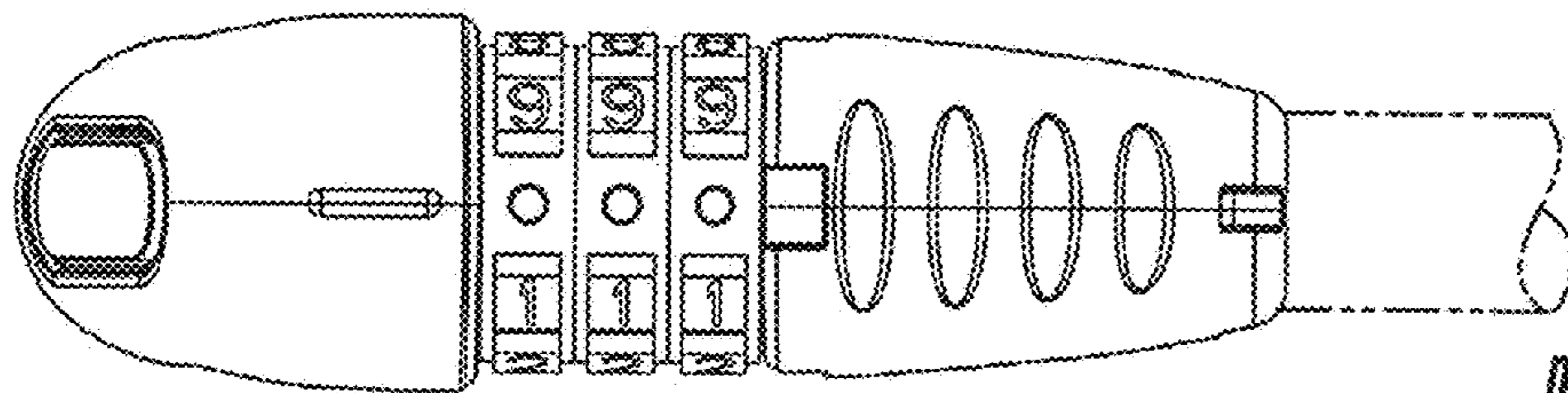


Fig-6

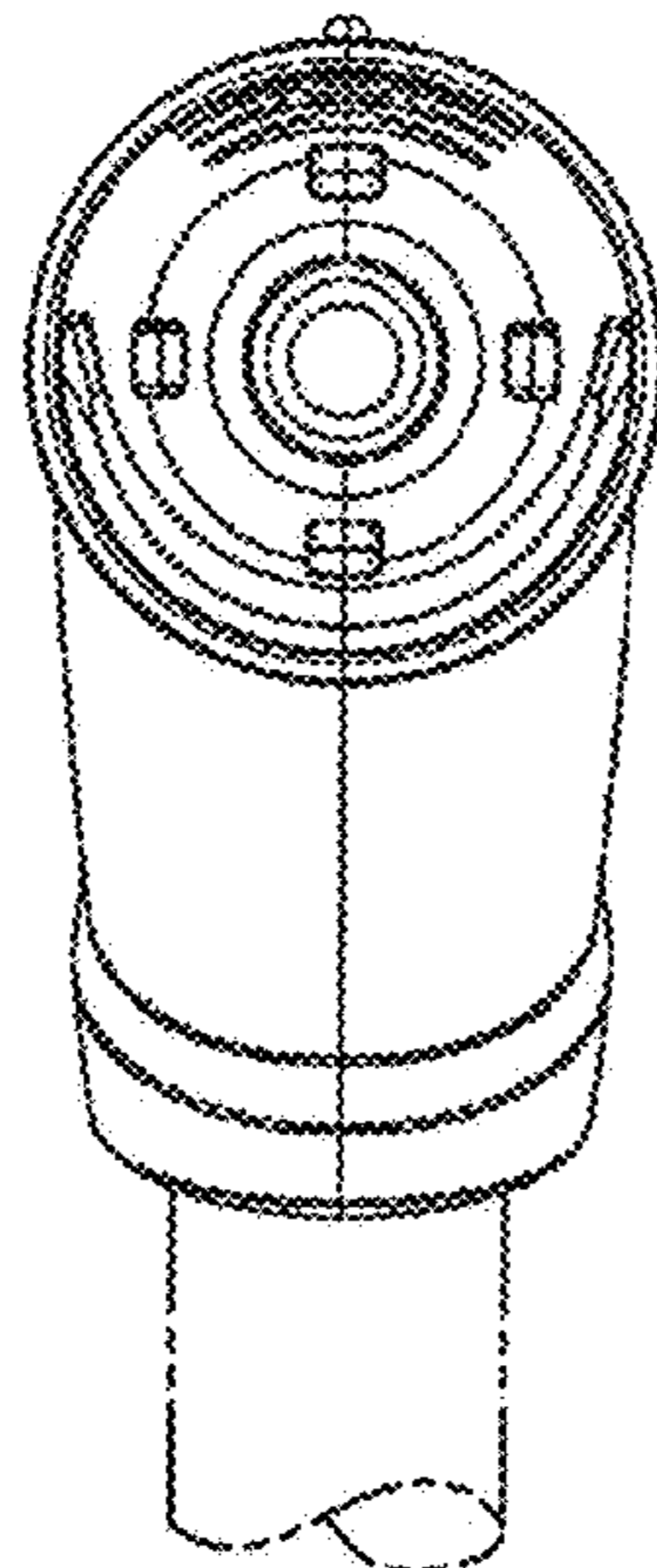


Fig-7

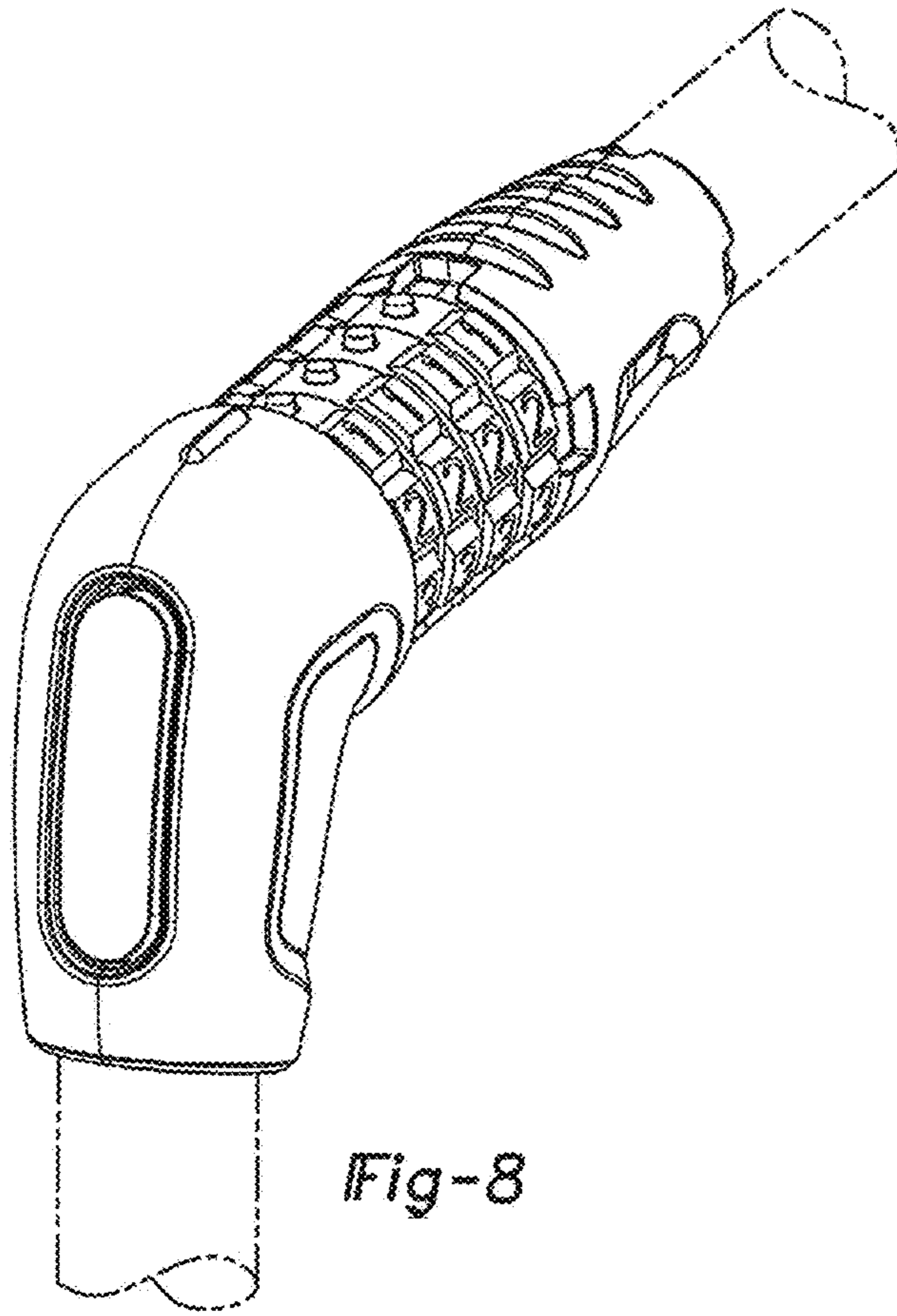


Fig-8

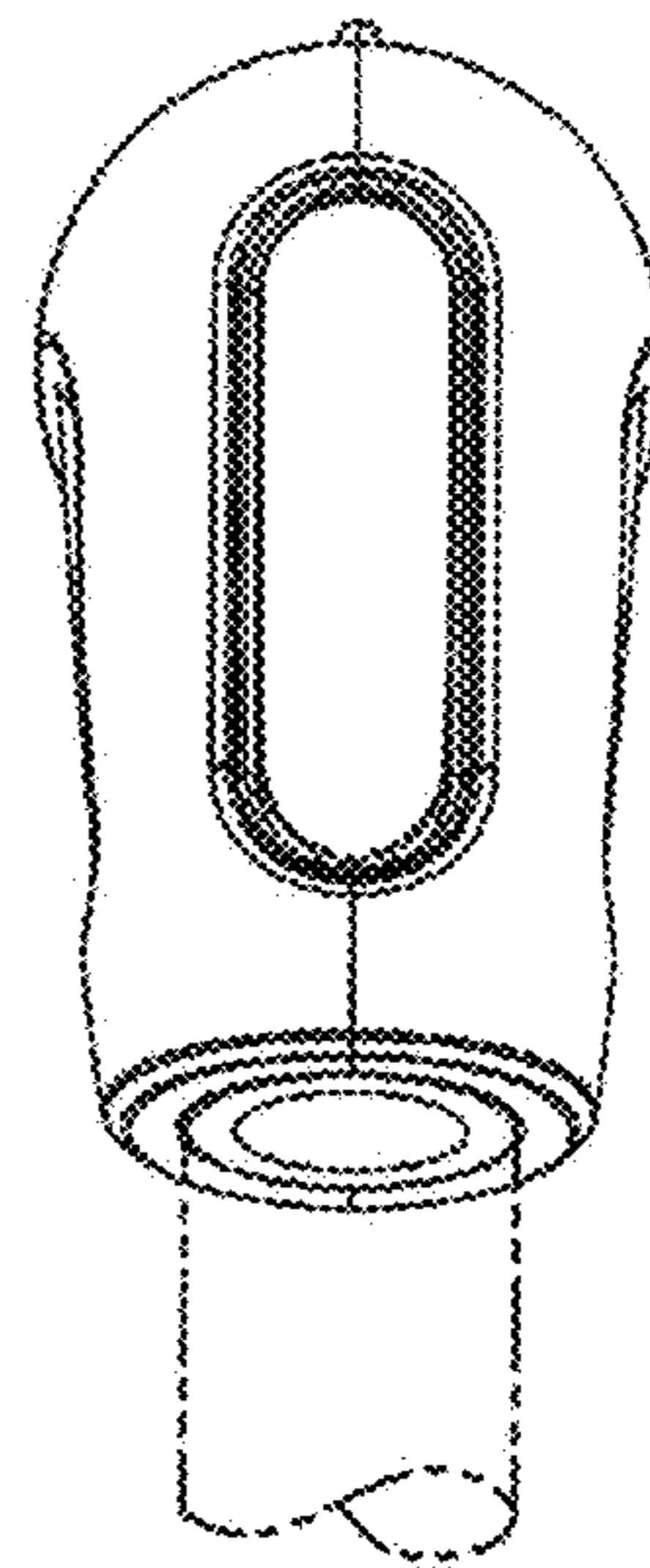


Fig-9

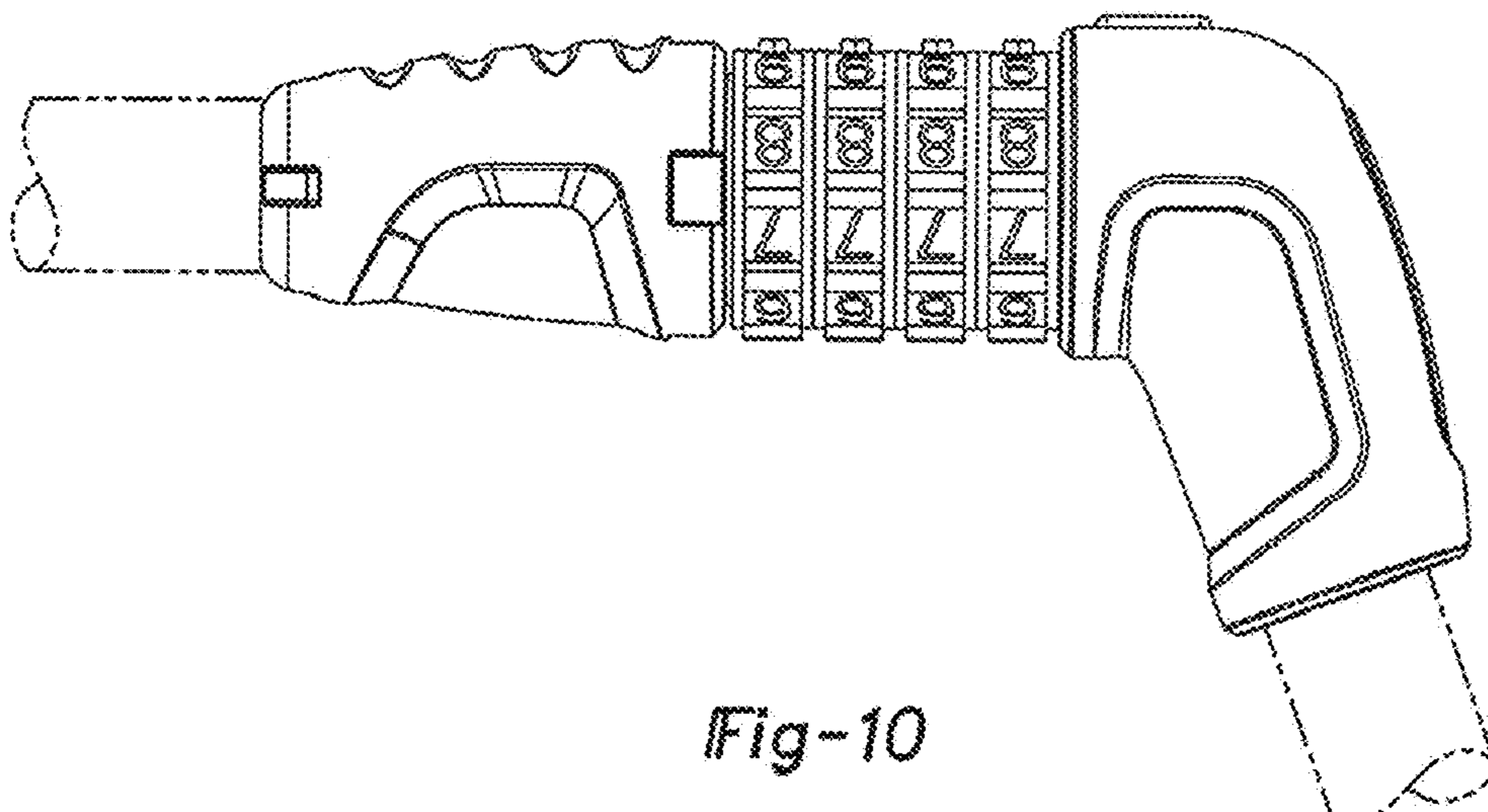


Fig-10

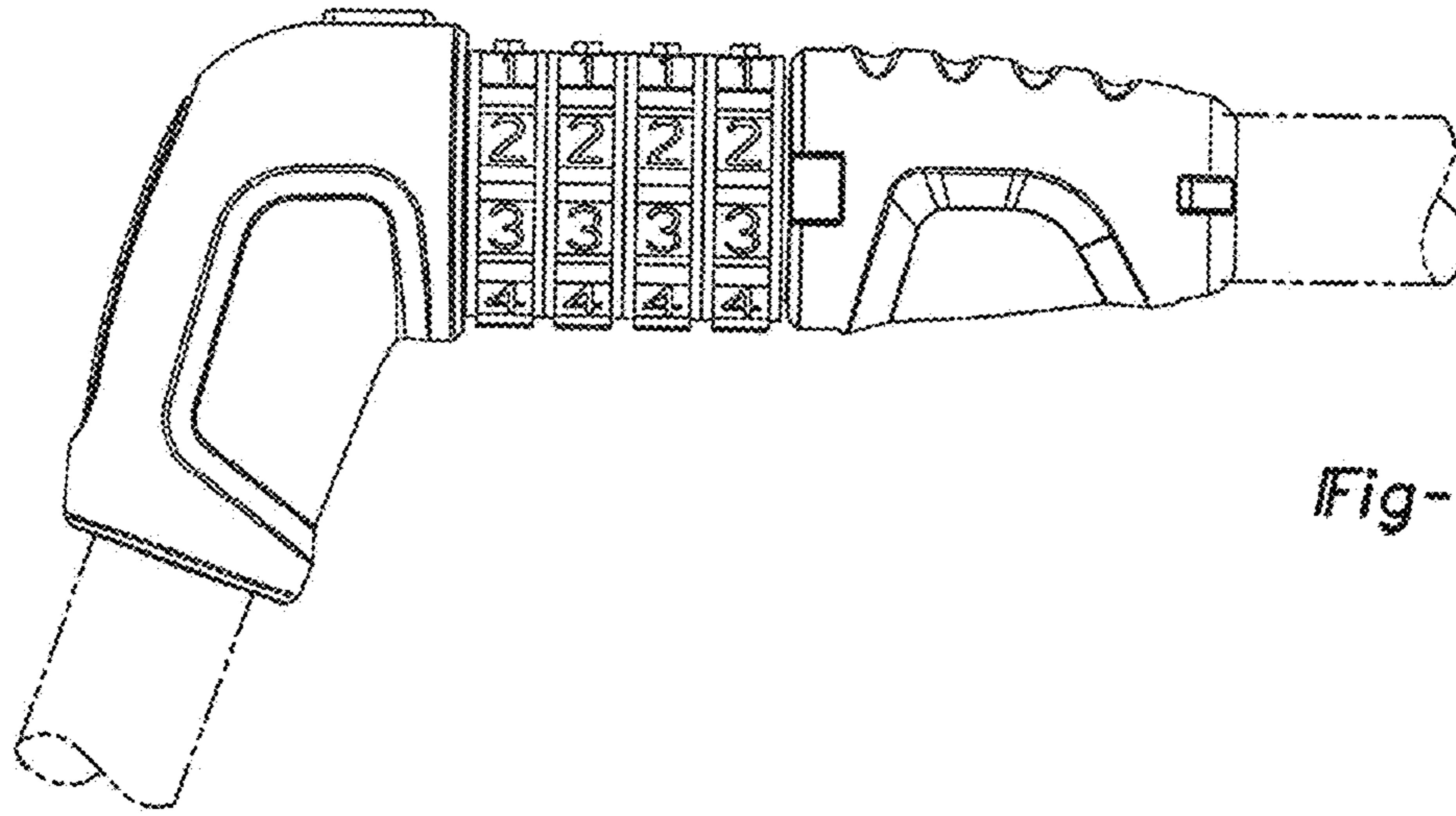


Fig-11

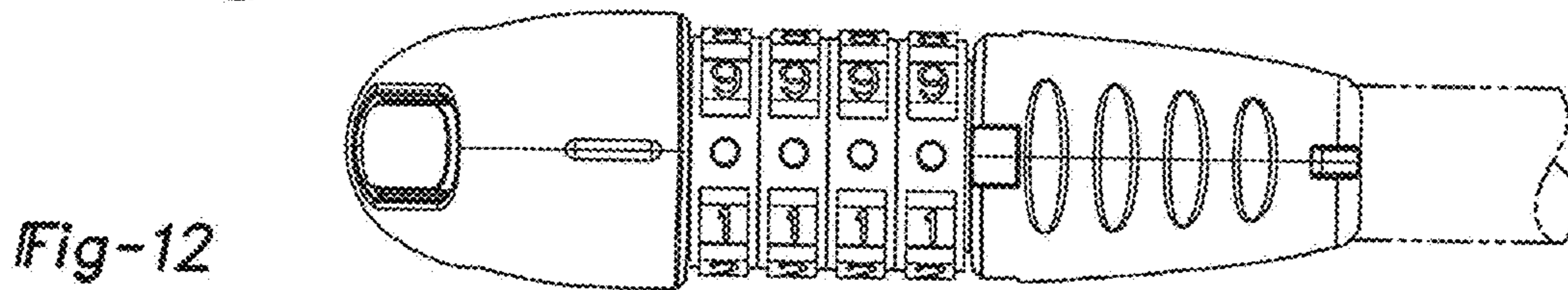


Fig-12

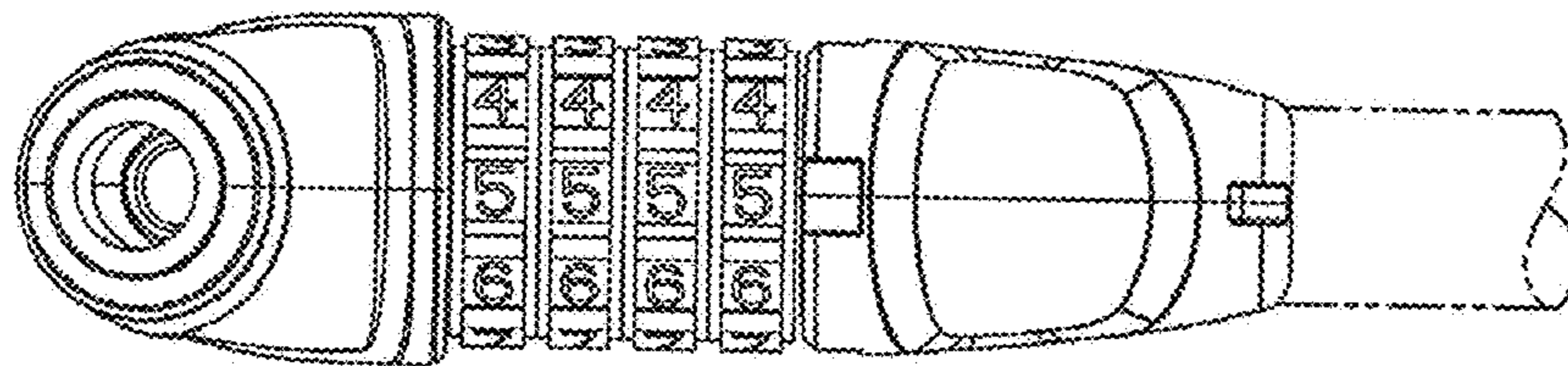


Fig-13

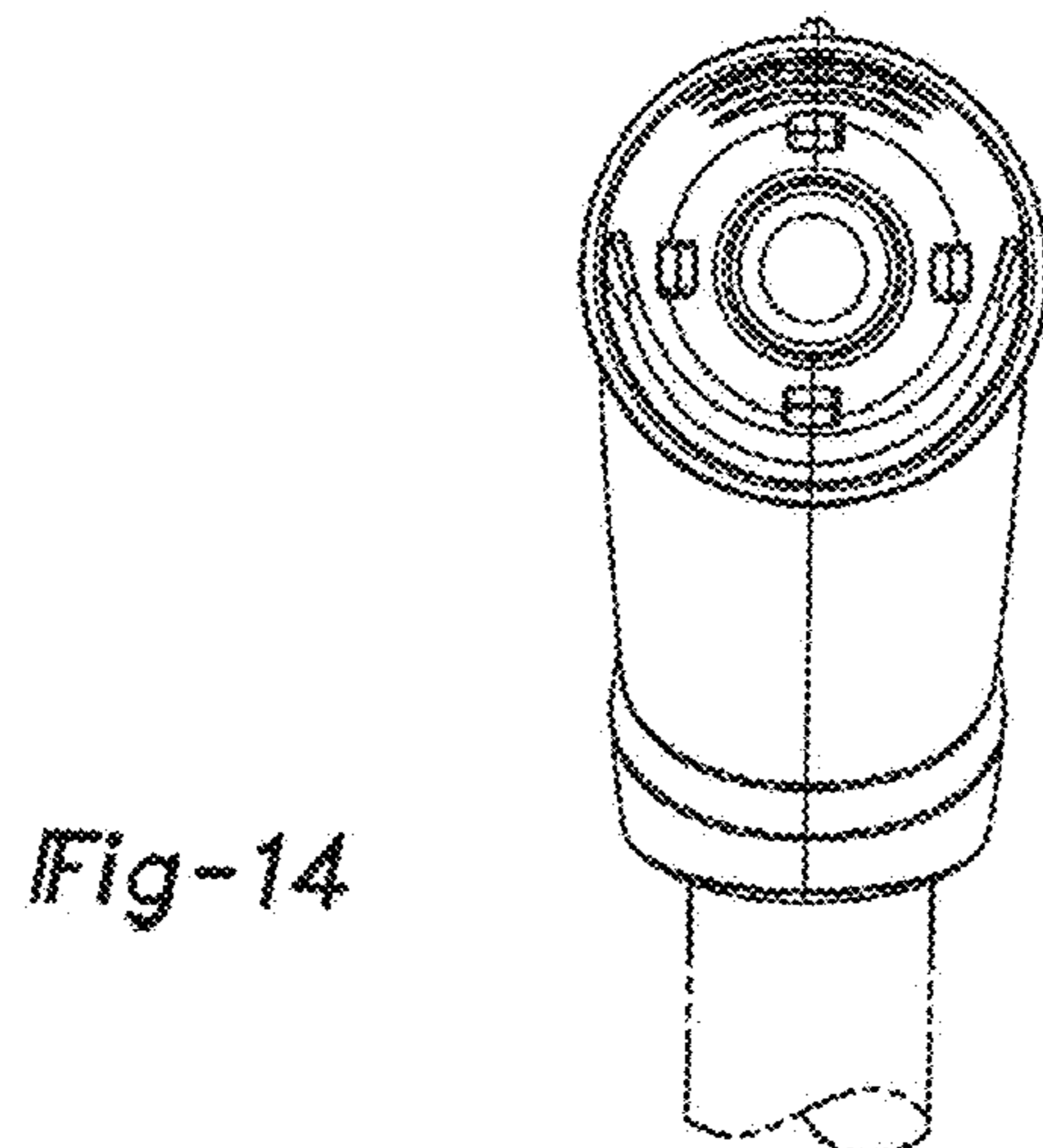


Fig-14

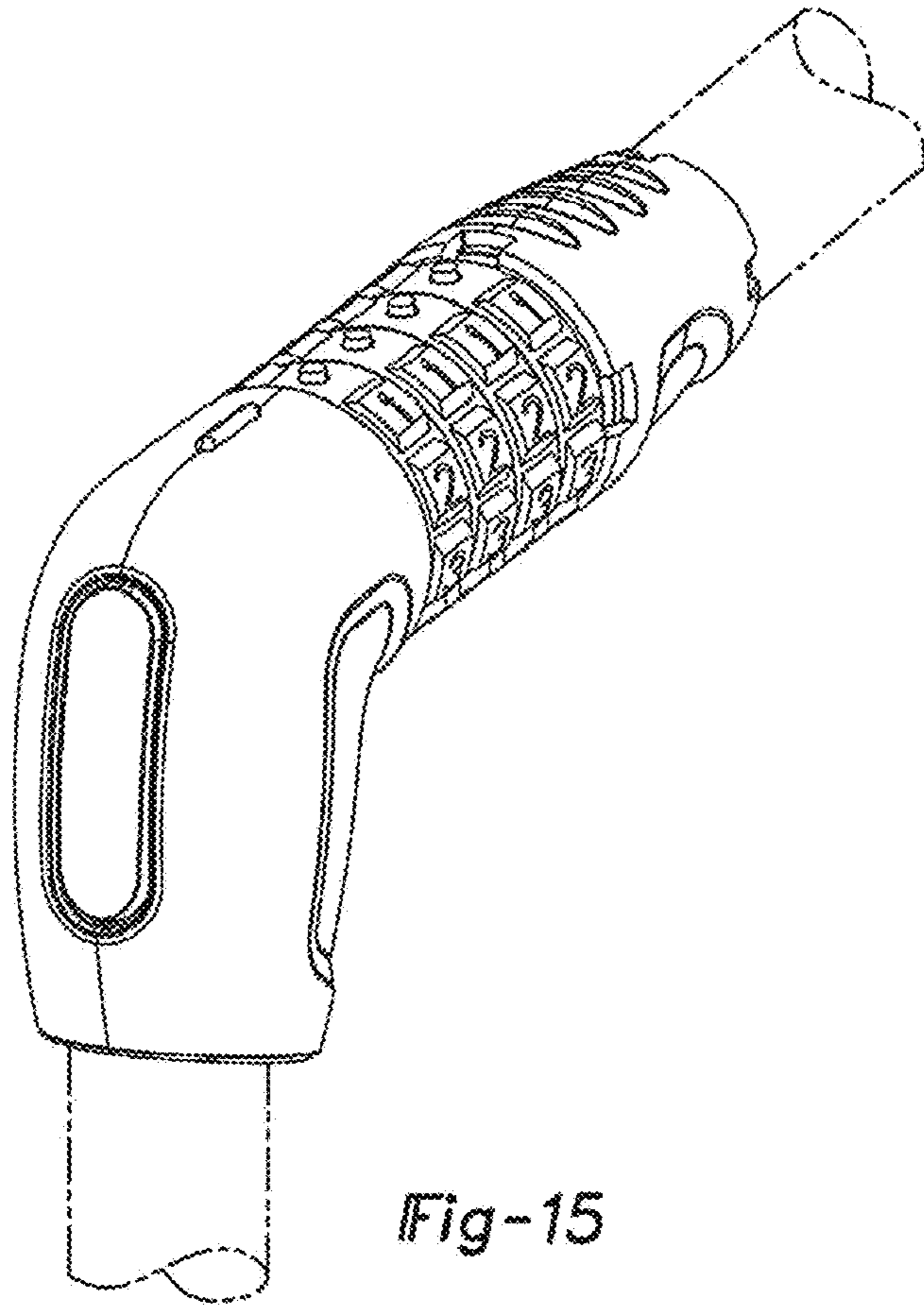


Fig-15

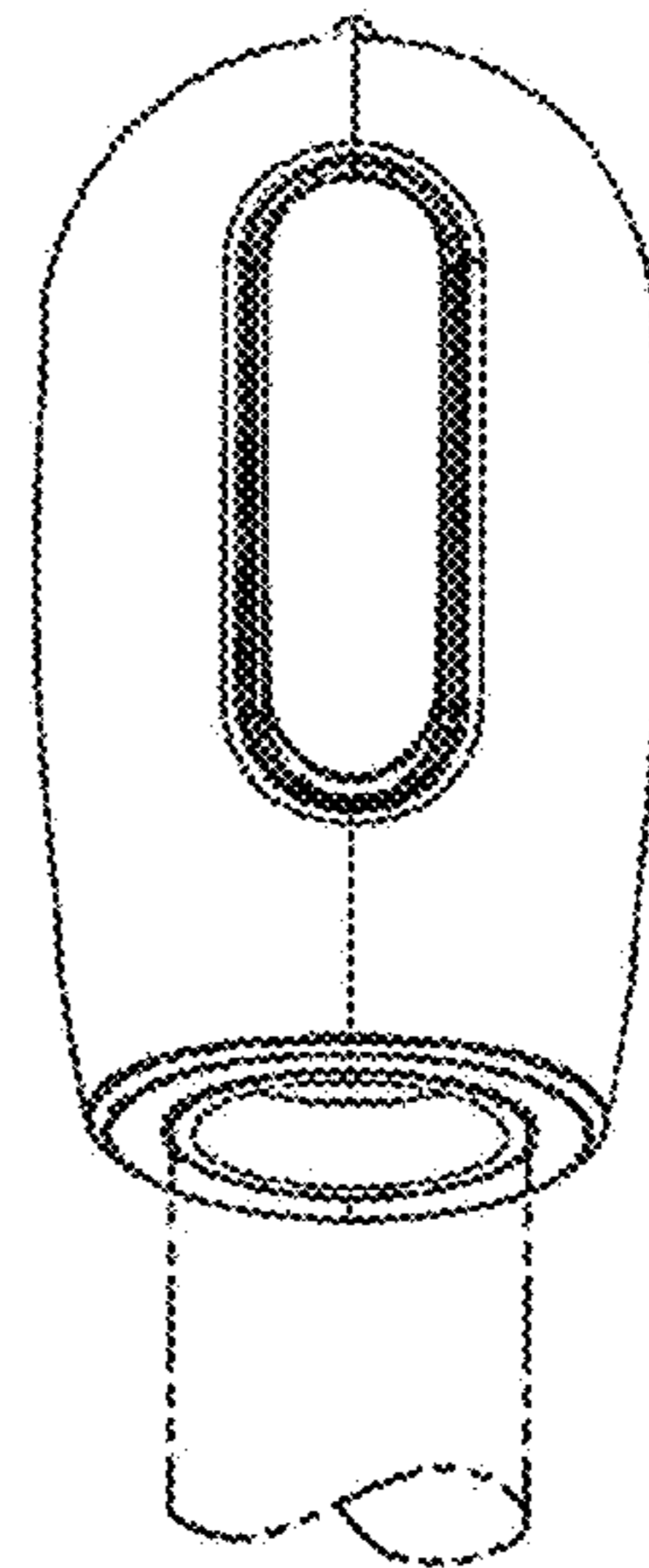


Fig-16

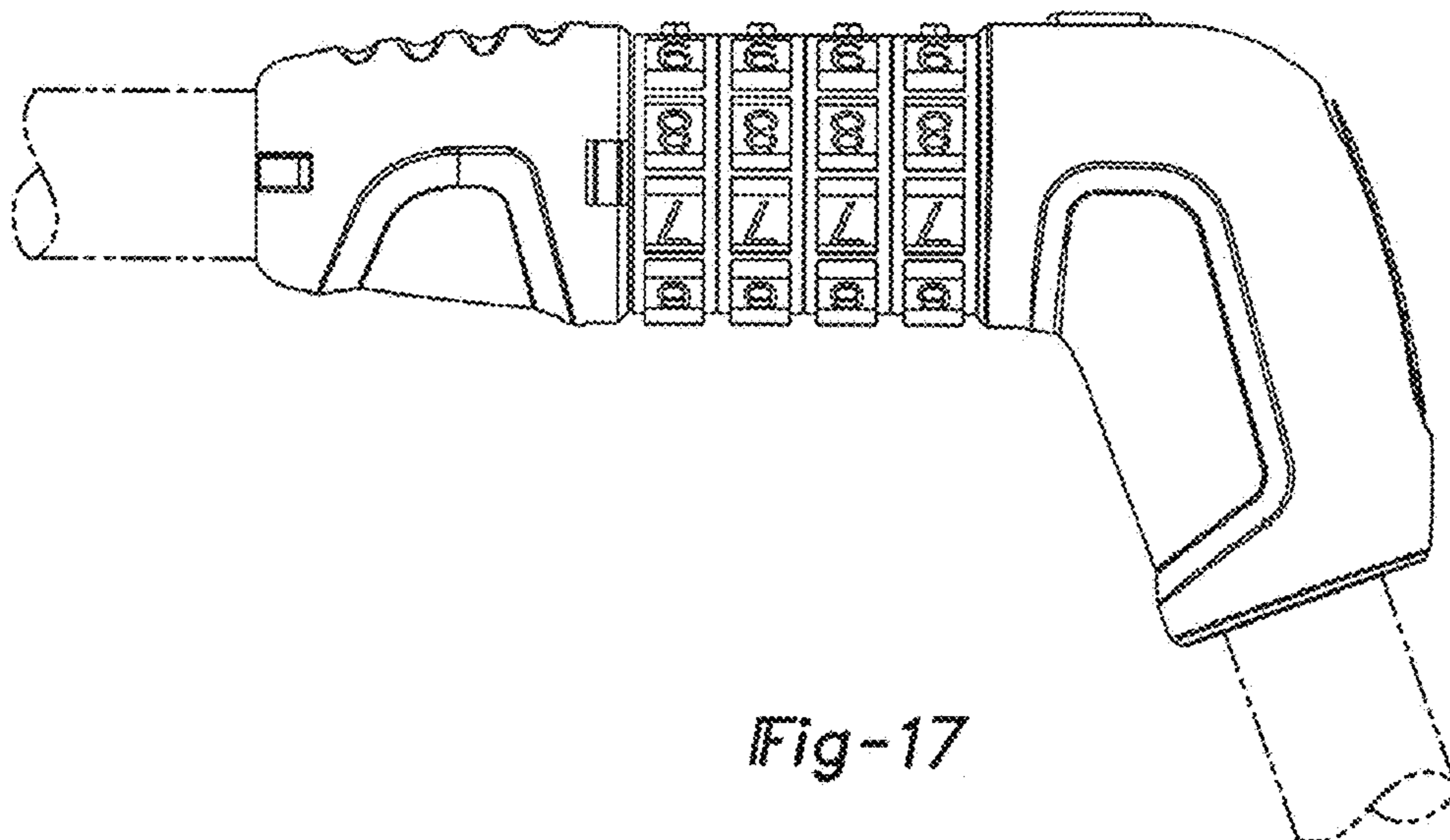


Fig-17

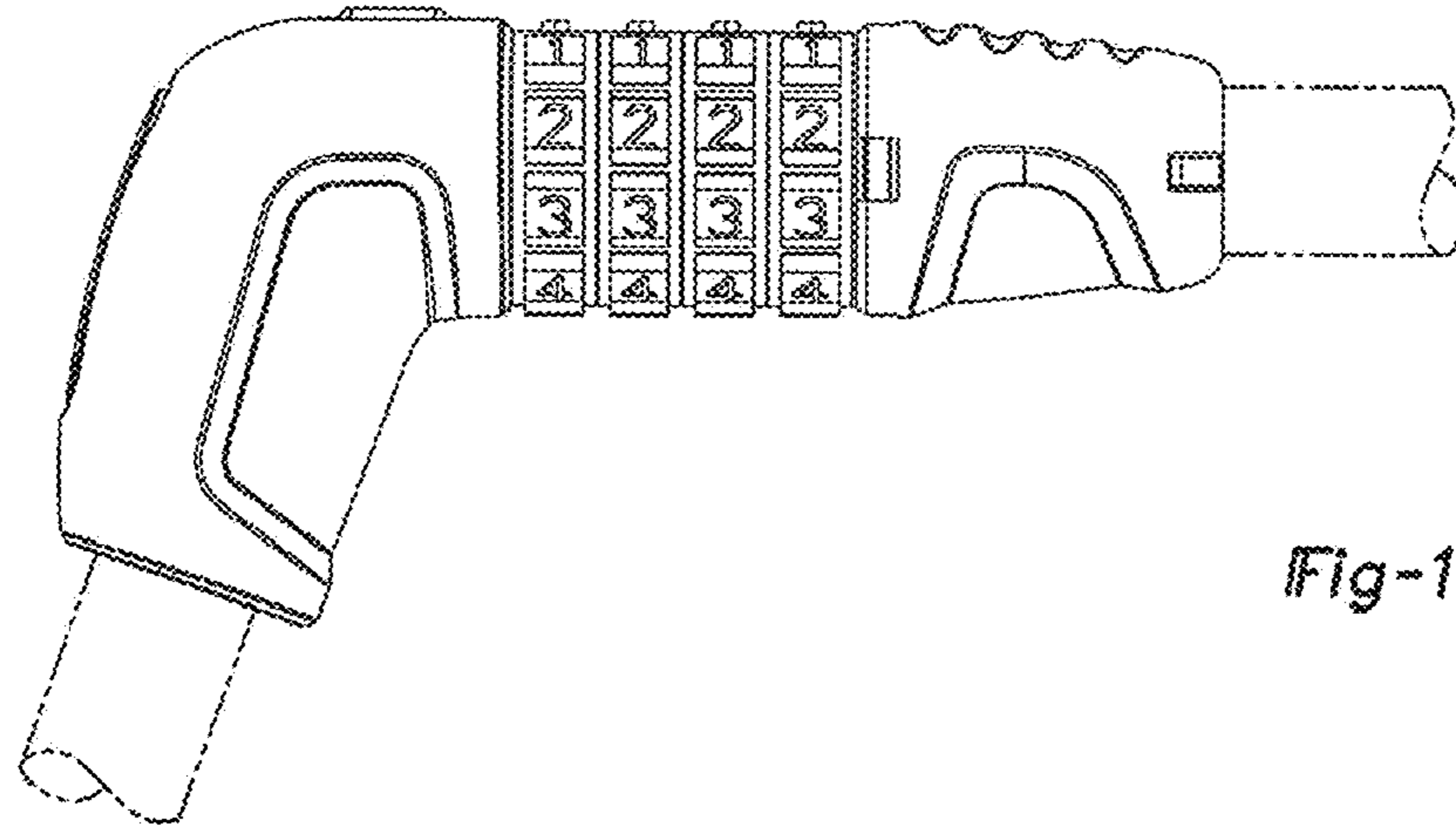


Fig-18

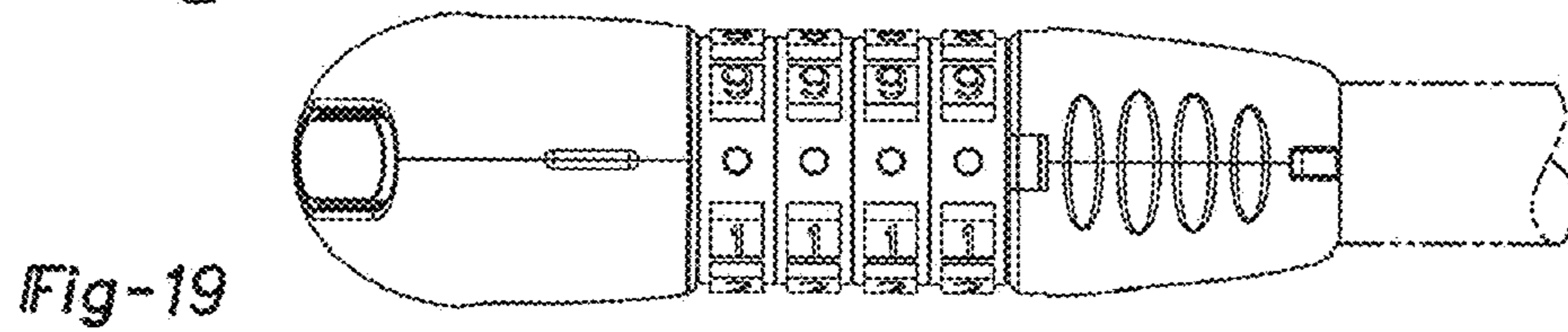


Fig-19

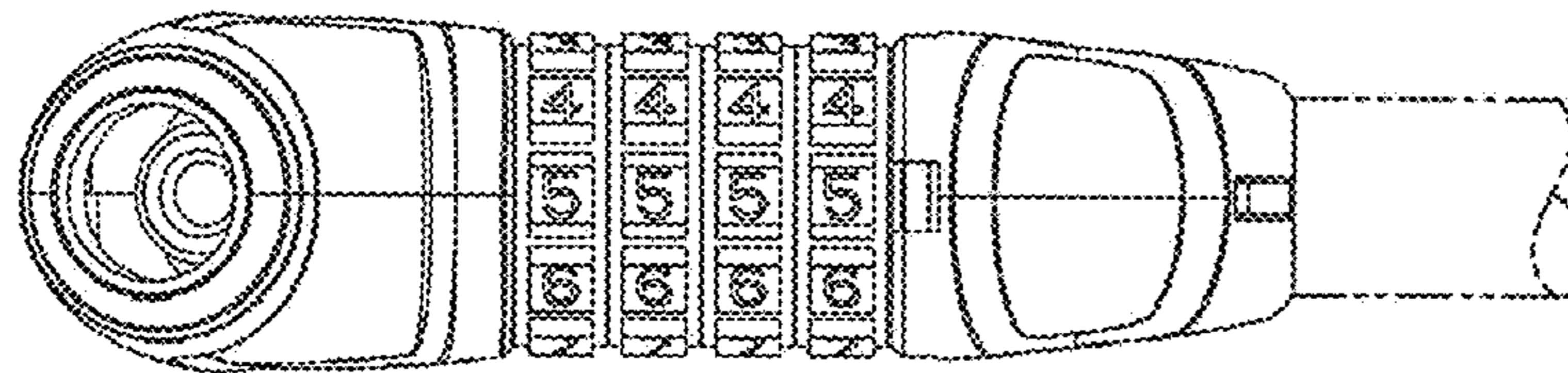


Fig-20

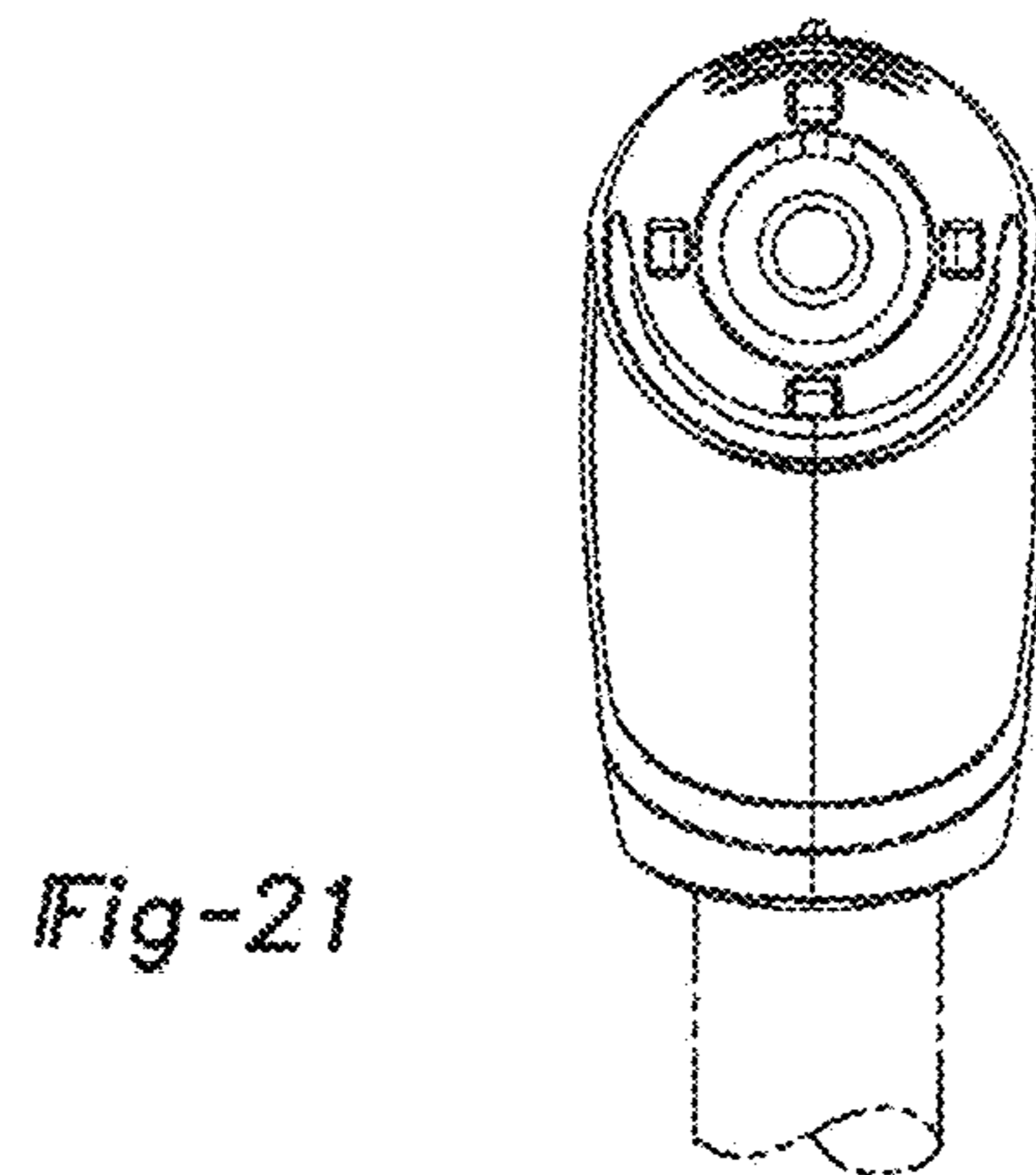


Fig-21