



US00D787298S

(12) **United States Design Patent**
Marsden

(10) **Patent No.:** **US D787,298 S**
(45) **Date of Patent:** **** May 23, 2017**

(54) **DOORKNOB COVER**

(71) Applicant: **Elbee Pty Ltd.**, Bondi Junction (AU)
(72) Inventor: **Andrew Marsden**, Hingham, MA (US)
(73) Assignee: **Elbee Pty Ltd.**, Bondi Junction (AU)
(**) Term: **15 Years**

(21) Appl. No.: **29/537,467**

(22) Filed: **Aug. 26, 2015**

(51) **LOC (10) Cl.** **08-06**

(52) **U.S. Cl.**
USPC **D8/322**

(58) **Field of Classification Search**

USPC D8/300-302, 307-309, 310, 311, 321,
D8/322; D23/250, 254; 292/336.3, 347;
74/523, 543; 70/443, 445, 448, 449;
16/110.1, 412, 416, 430, DIG. 30;
D7/393, 394, 396; D3/318
CPC Y10T 16/44; Y10T 74/20612; Y10T
74/20732; Y10T 16/458; Y10T 16/498;
Y10T 16/469; Y10T 16/476; Y10T
74/20744; Y10T 74/20864; Y10T
16/4628; Y10T 74/20642; Y10T 16/473;
Y10T 74/20762; Y10T 74/2042; Y10T
74/20828; Y10T 16/459; Y10T 16/4713;
Y10T 74/2014; Y10T 16/50; Y10T
74/20438; Y10T 74/20582; Y10T
74/20738; Y10T 16/48; Y10T 74/20618;
Y10T 74/20684; Y10T 74/20624; Y10T
74/20468; Y10T 16/61; Y10T 16/4719;
Y10T 16/86; Y10S 16/30; Y10S 292/31;
Y10S 292/53; Y10S 16/12; Y10S 292/23;
Y10S 292/27; Y10S 292/30; Y10S
292/63; E05B 85/16; E05B 1/0015; E05B
77/06; E05B 79/06; E05B 85/18; E05B
85/12; E05B 85/10; E05B 7/00; E05B
1/0053; E05B 77/265

See application file for complete search history.

(56) **References Cited**

U.S. PATENT DOCUMENTS

2,610,877 A * 9/1952 Weaver E05B 13/001
16/82
2,999,523 A * 9/1961 Amdur E05B 1/0061
150/155

(Continued)

Primary Examiner — Derrick Holland

Assistant Examiner — Lauren Calve

(74) *Attorney, Agent, or Firm* — Wolf, Greenfield &
Sacks, P.C.

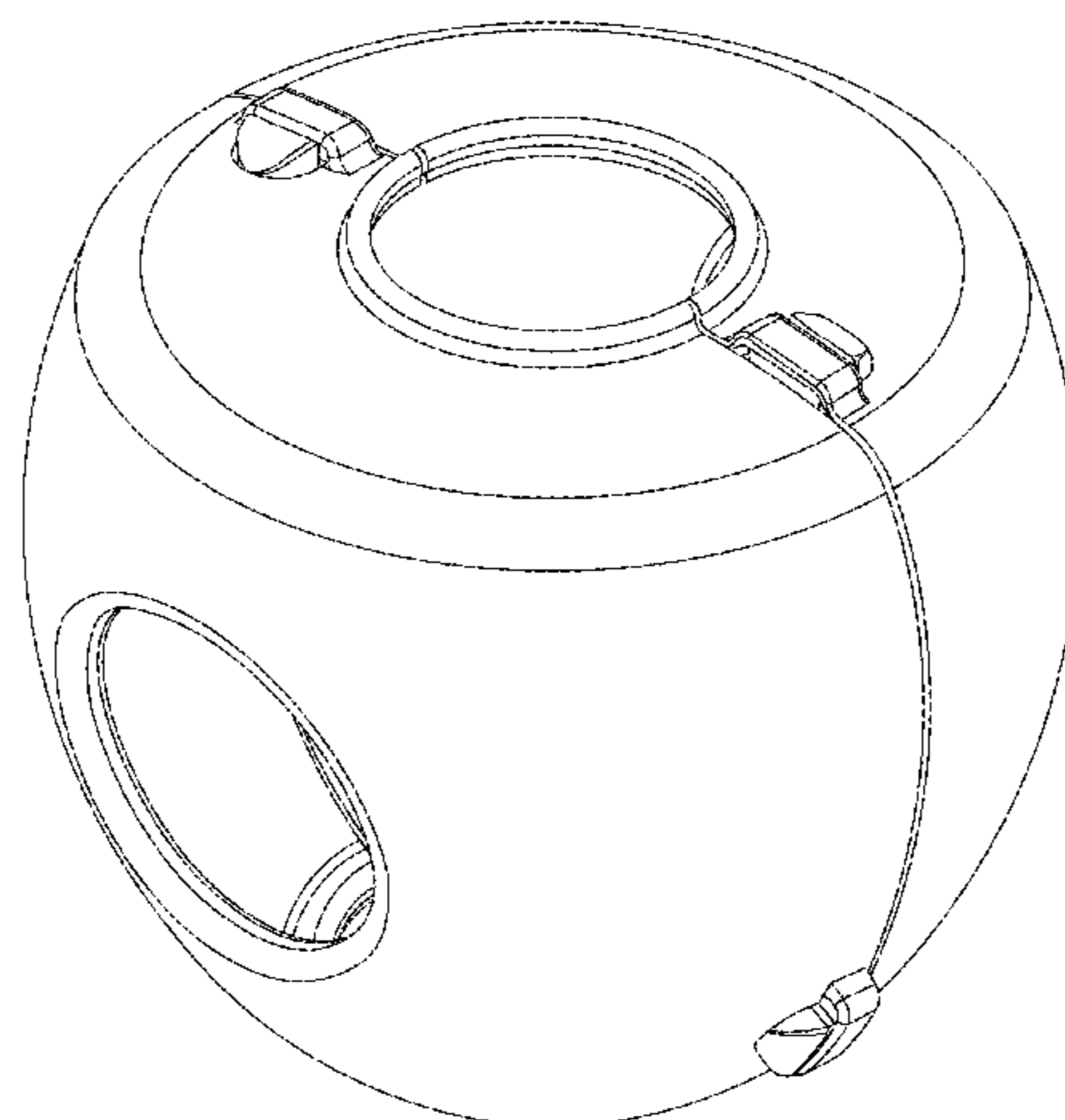
(57) **CLAIM**

The ornamental design for a doorknob cover, as shown and
described.

DESCRIPTION

FIG. 1 is a top isomeric view of a doorknob cover showing
my new design;
FIG. 2 is an exploded top isomeric view thereof;
FIG. 3 is a bottom isomeric view thereof;
FIG. 4 is an exploded bottom isomeric view thereof;
FIG. 5 is a front view thereof;
FIG. 6 is a side view thereof;
FIG. 7 is an exploded side view thereof;
FIG. 8 is a top view thereof;
FIG. 9 is an exploded top view thereof;
FIG. 10 is a bottom view thereof;
FIG. 11 is an exploded bottom view thereof;
FIG. 12 is a top isomeric view of the front half of the
doorknob cover, the back half removed for clarity of illus-
tration;
FIG. 13 is a front view thereof;
FIG. 14 is a left side view thereof;
FIG. 15 is a right side view thereof;
FIG. 16 is a top view thereof;
FIG. 17 is a bottom view thereof;
FIG. 18 is a bottom isomeric view thereof; and,
FIG. 19 is a second bottom isomeric view thereof.

1 Claim, 19 Drawing Sheets



(56)

References Cited

U.S. PATENT DOCUMENTS

3,306,643 A * 2/1967 Reed E05B 13/001
16/402
3,556,571 A * 1/1971 Laub E05B 13/001
16/85
4,082,351 A * 4/1978 Chrones E05B 13/001
16/414
4,856,140 A * 8/1989 Visco E03D 9/00
150/155
D652,705 S * 1/2012 Stava D8/300
8,516,735 B2 * 8/2013 Ilacqua F41G 1/38
42/119
9,051,757 B2 * 6/2015 Bracey E05B 1/0069
2006/0006678 A1 * 1/2006 Herron E05B 1/0069
292/336.3
2006/0230576 A1 * 10/2006 Meine A47K 17/00
16/110.1
2008/0269736 A1 * 10/2008 Prevost A61B 17/06109
606/32
2014/0137612 A1 * 5/2014 Gresse F16B 31/027
70/158

* cited by examiner

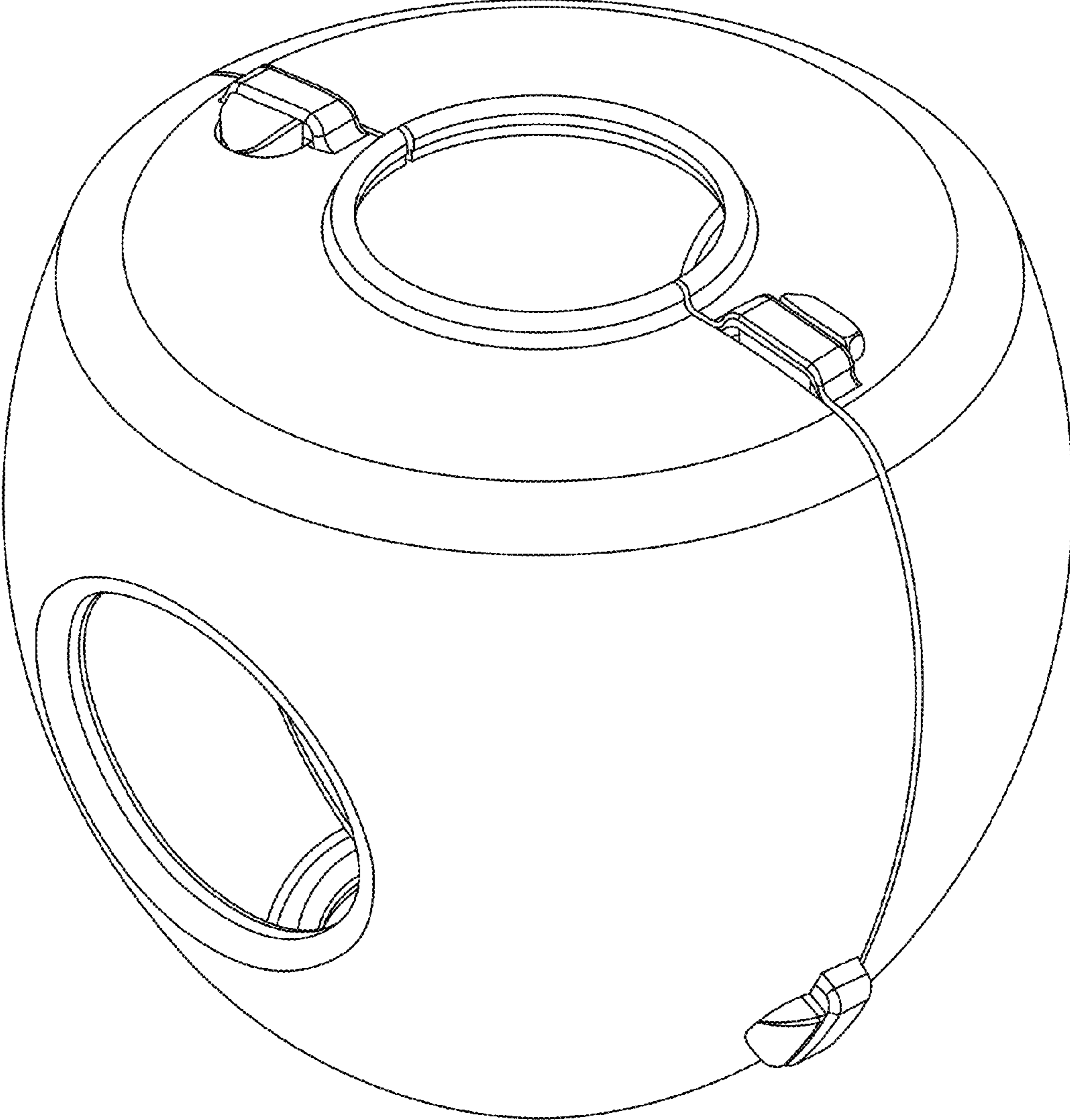


FIG. 1

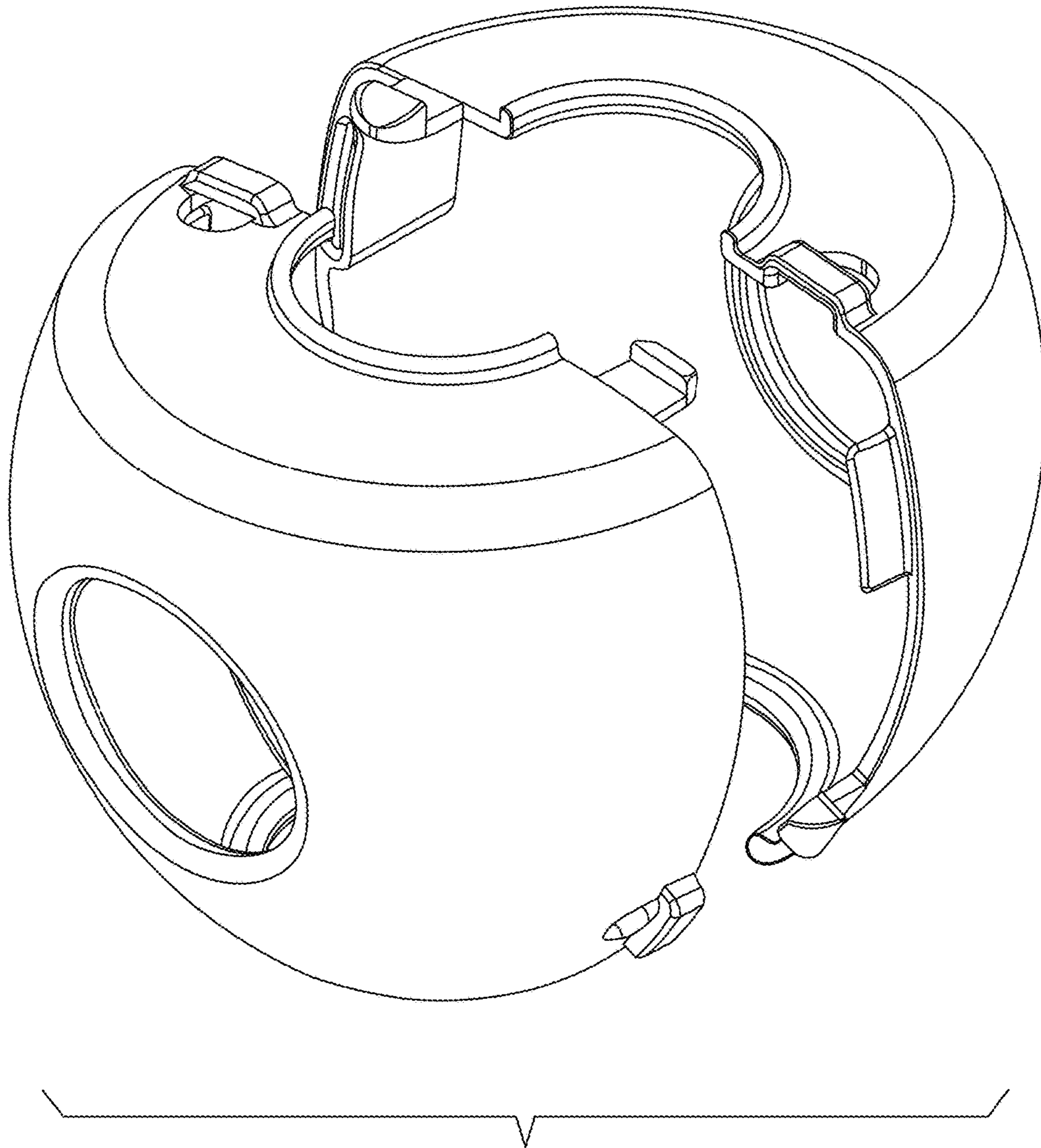


FIG. 2

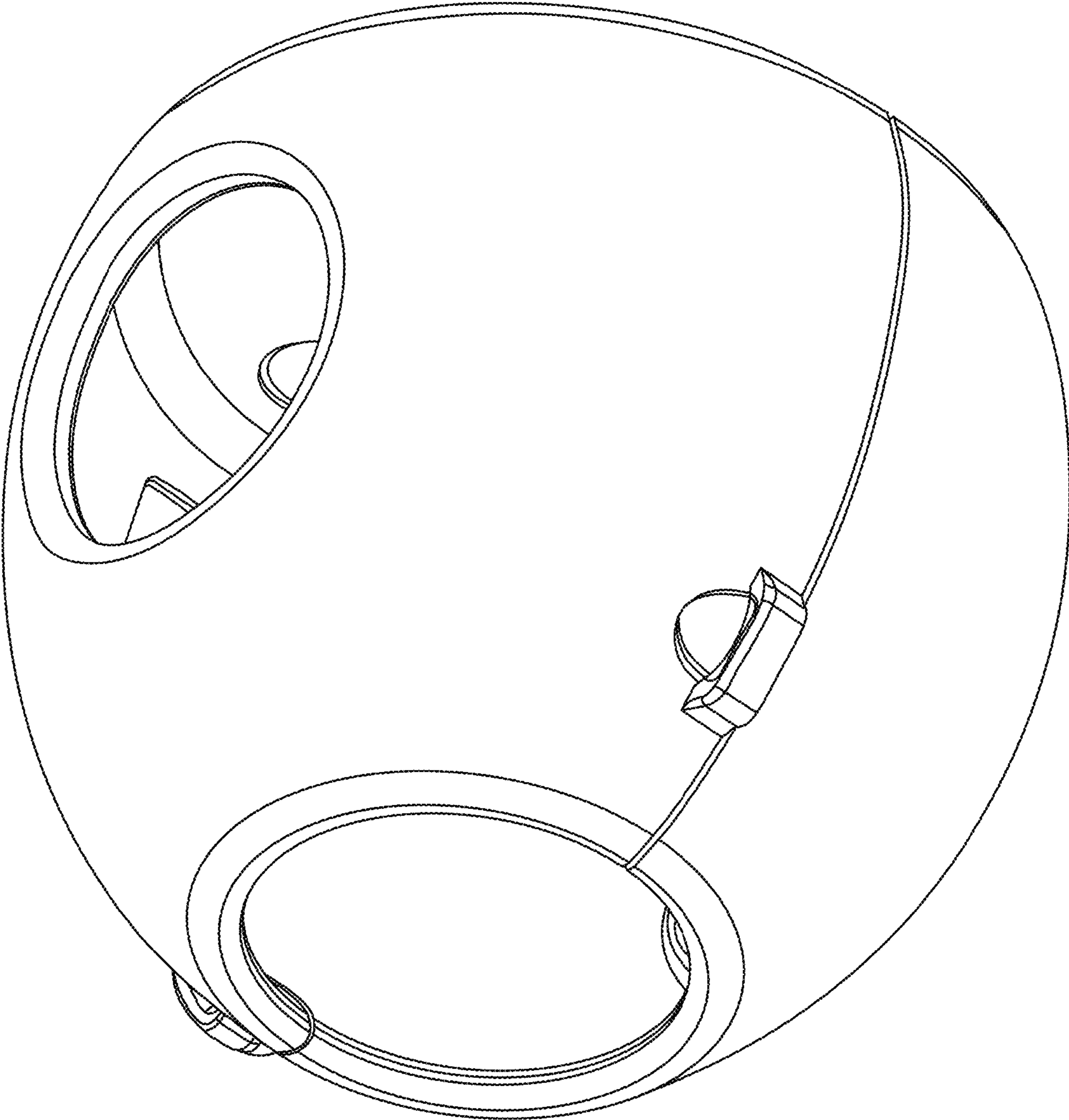


FIG. 3

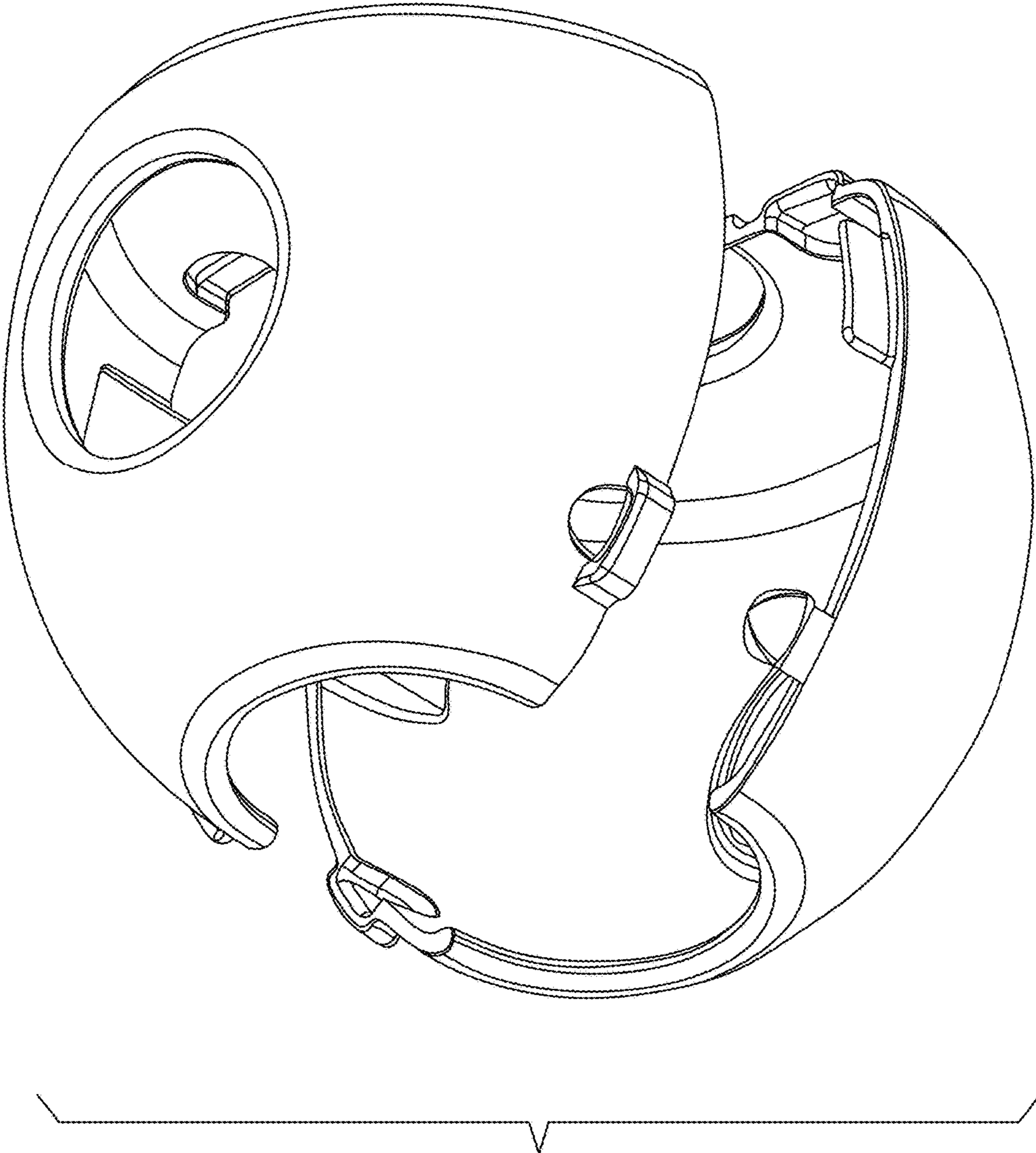


FIG. 4

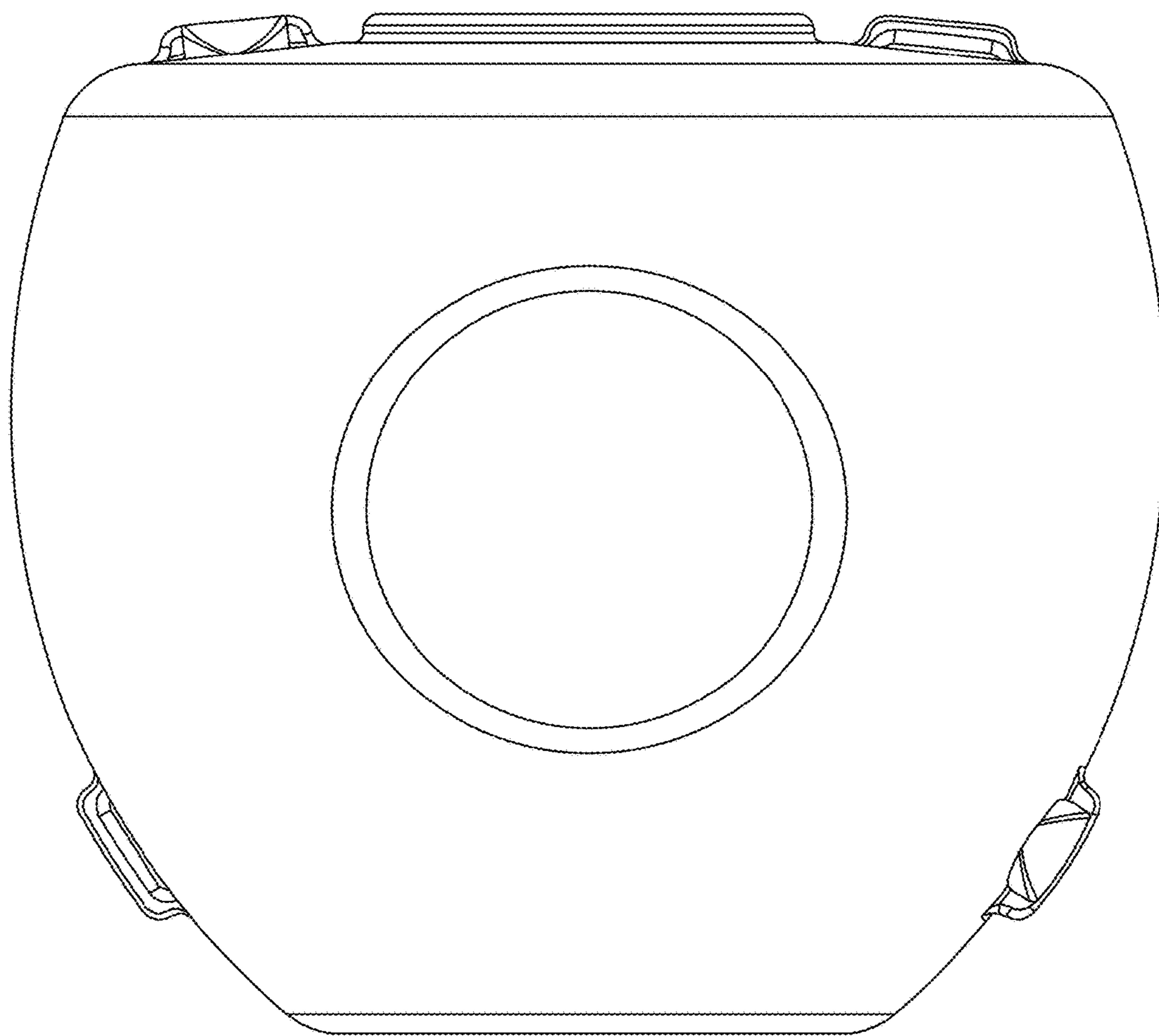


FIG. 5

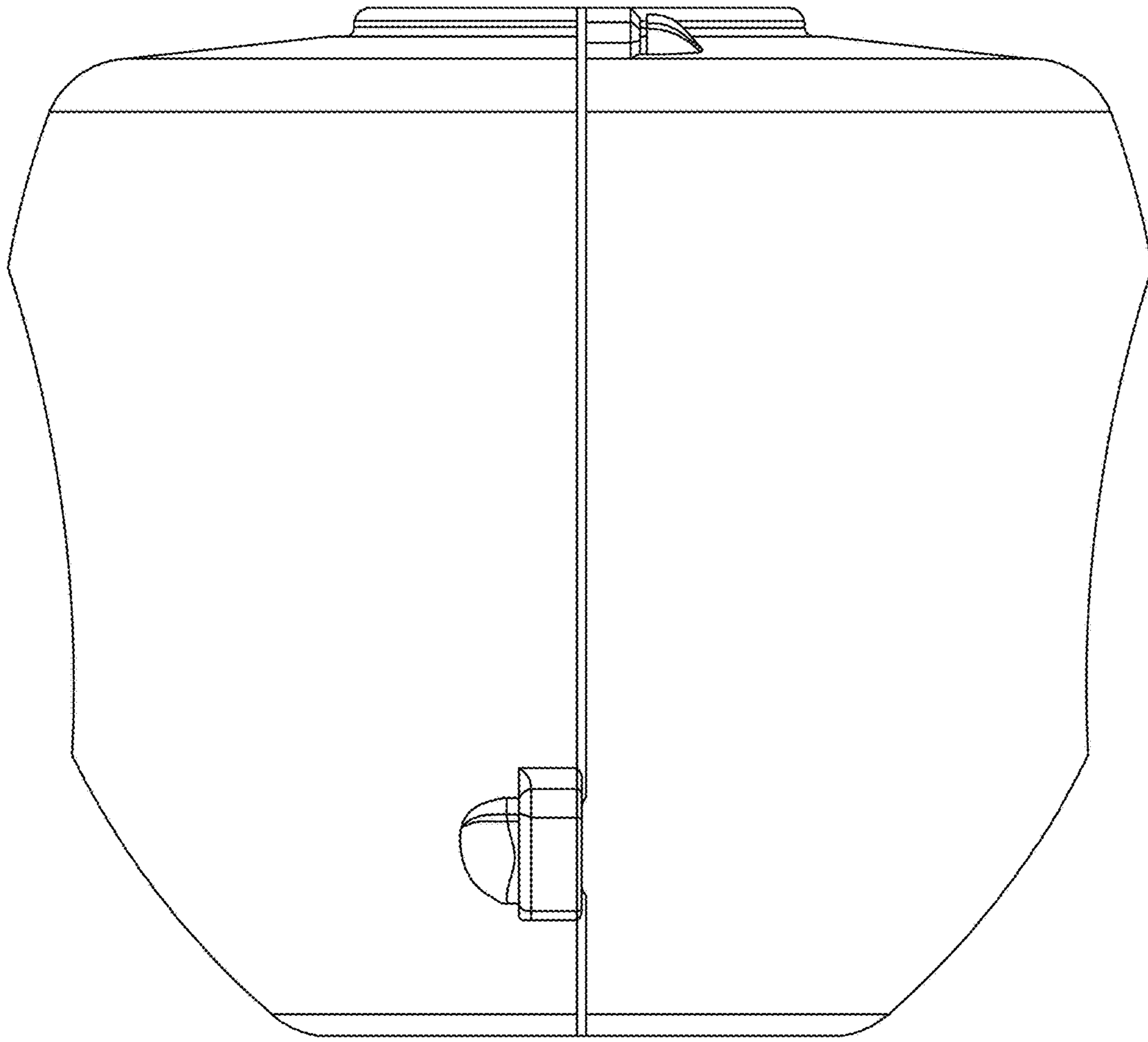


FIG. 6

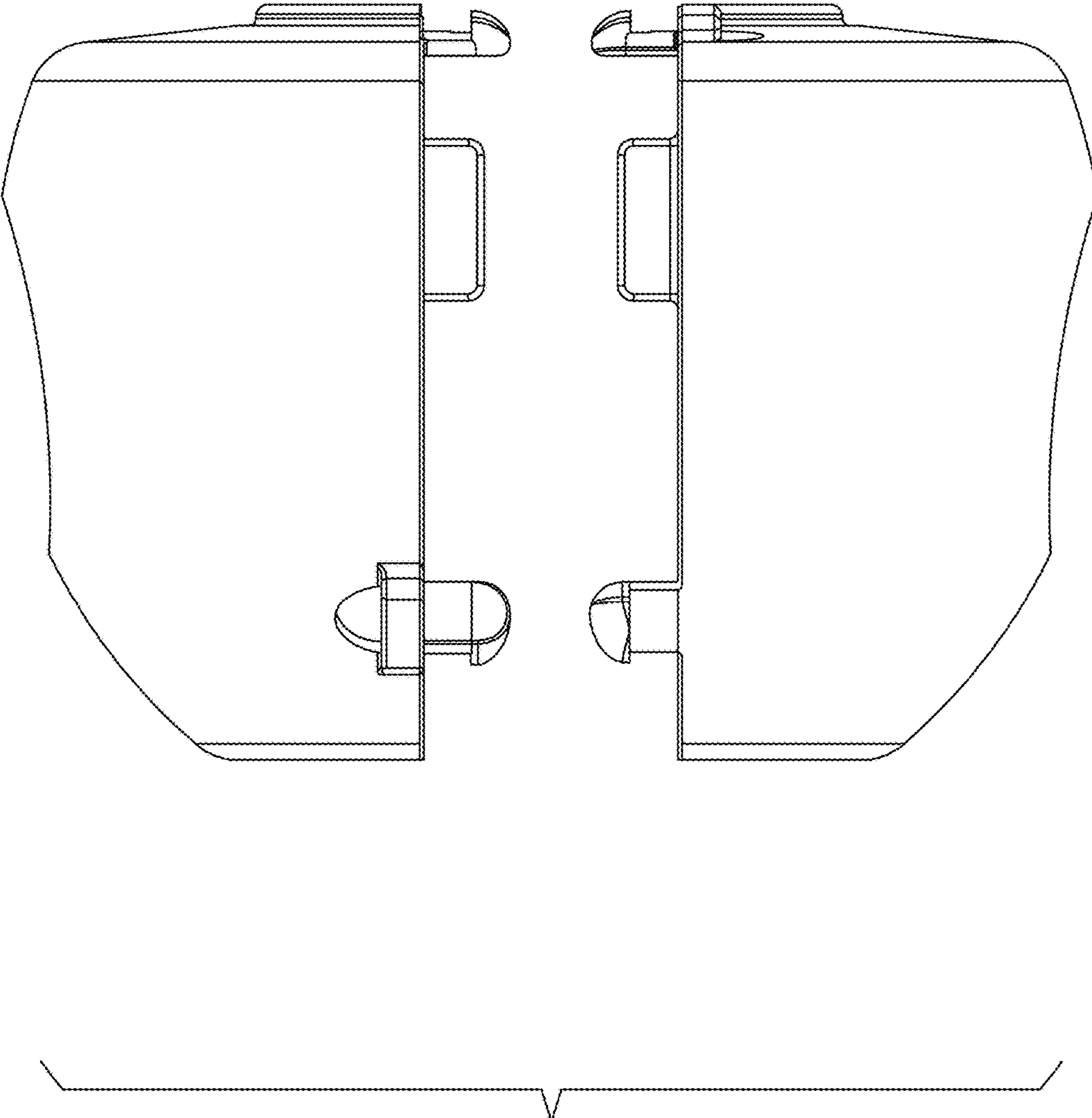


FIG. 7

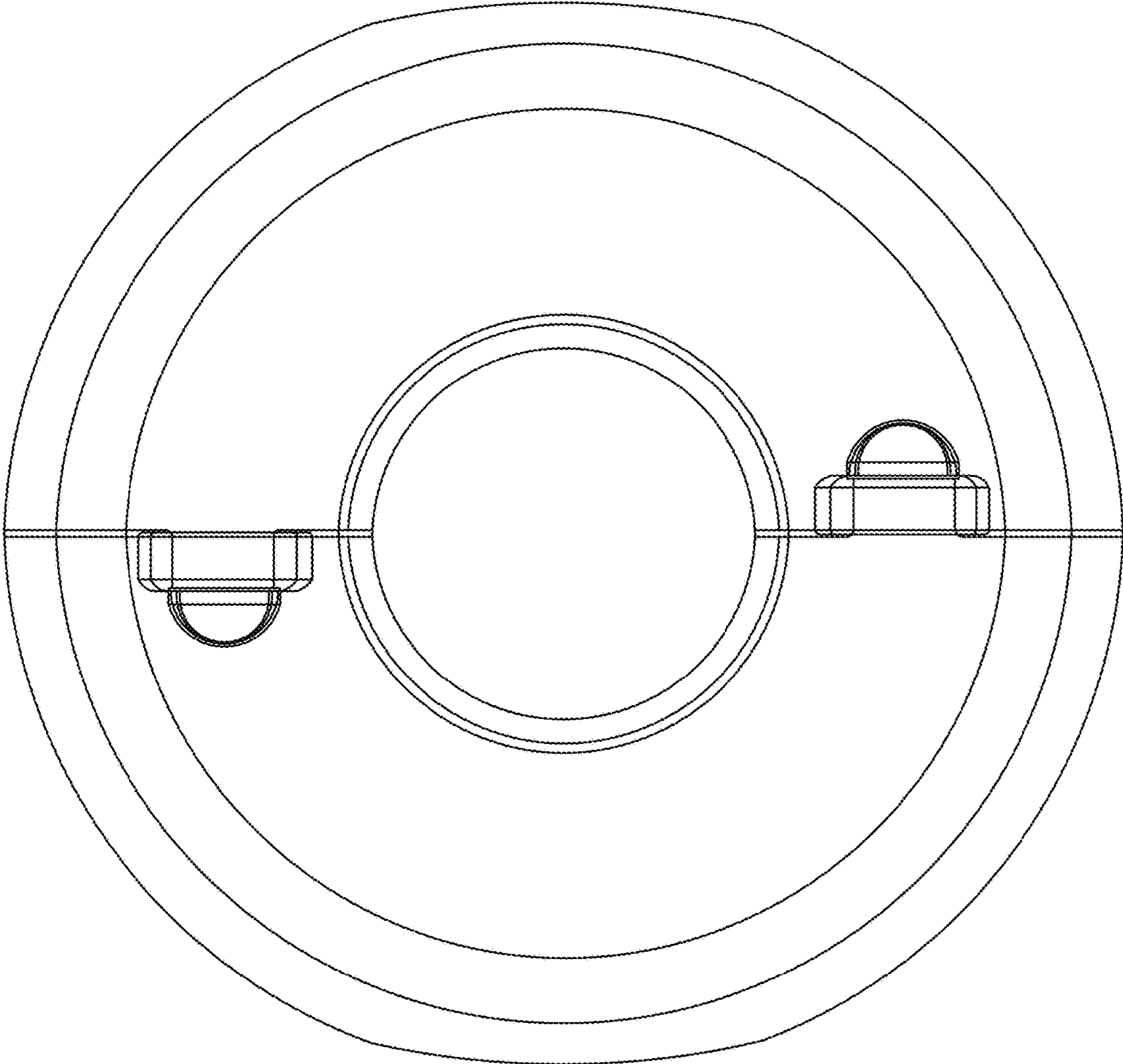


FIG. 8

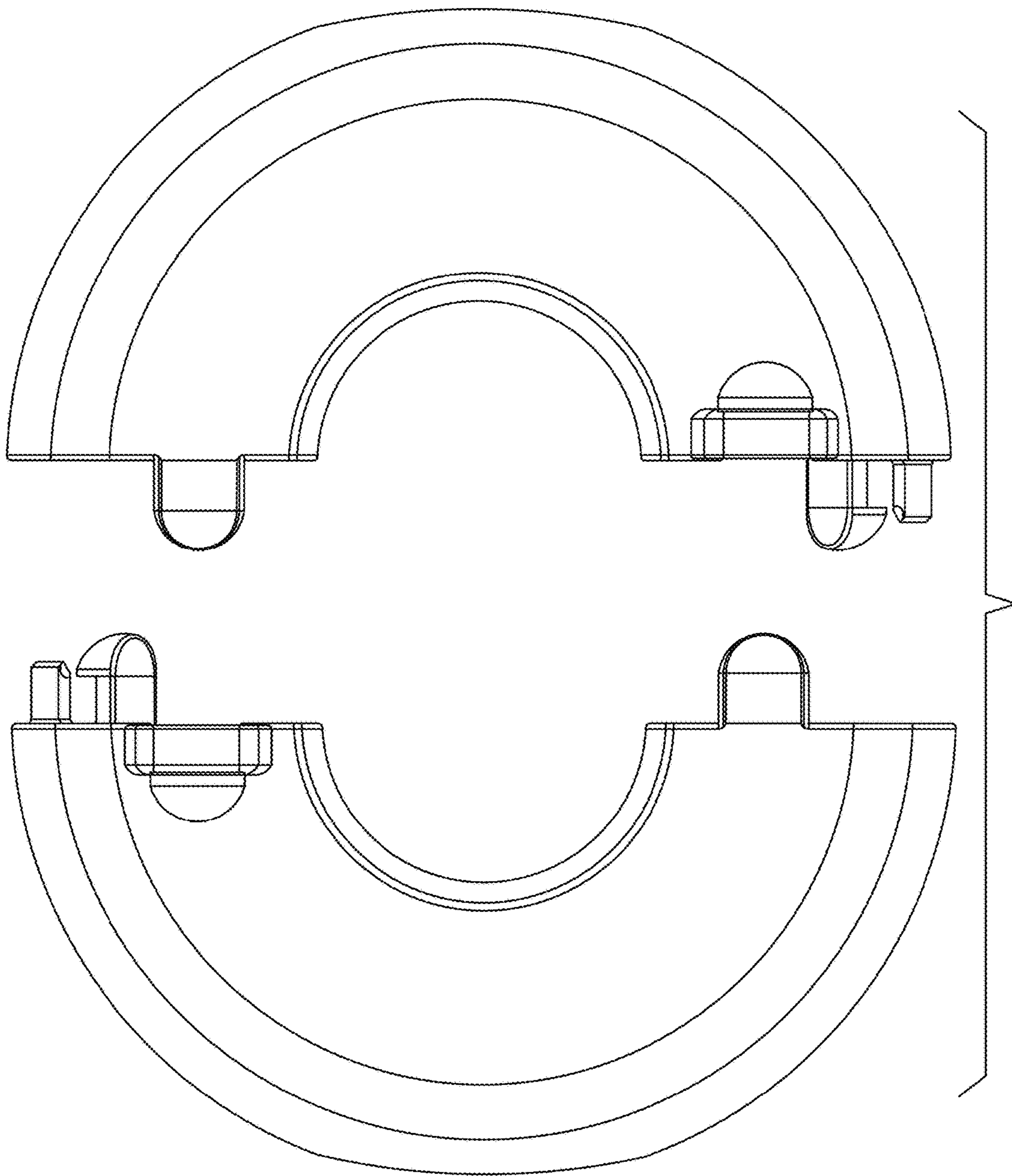


FIG. 9

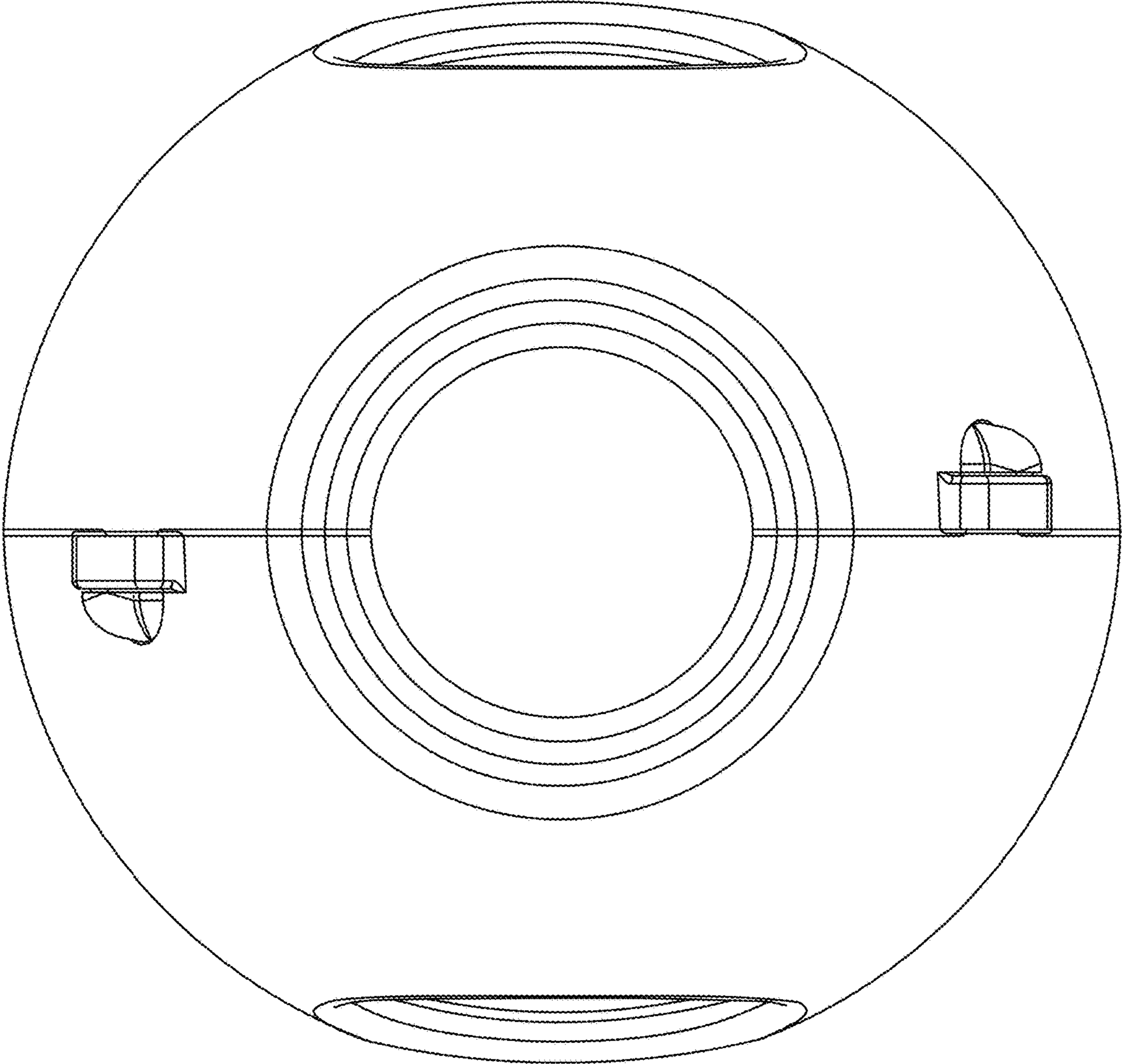


FIG. 10

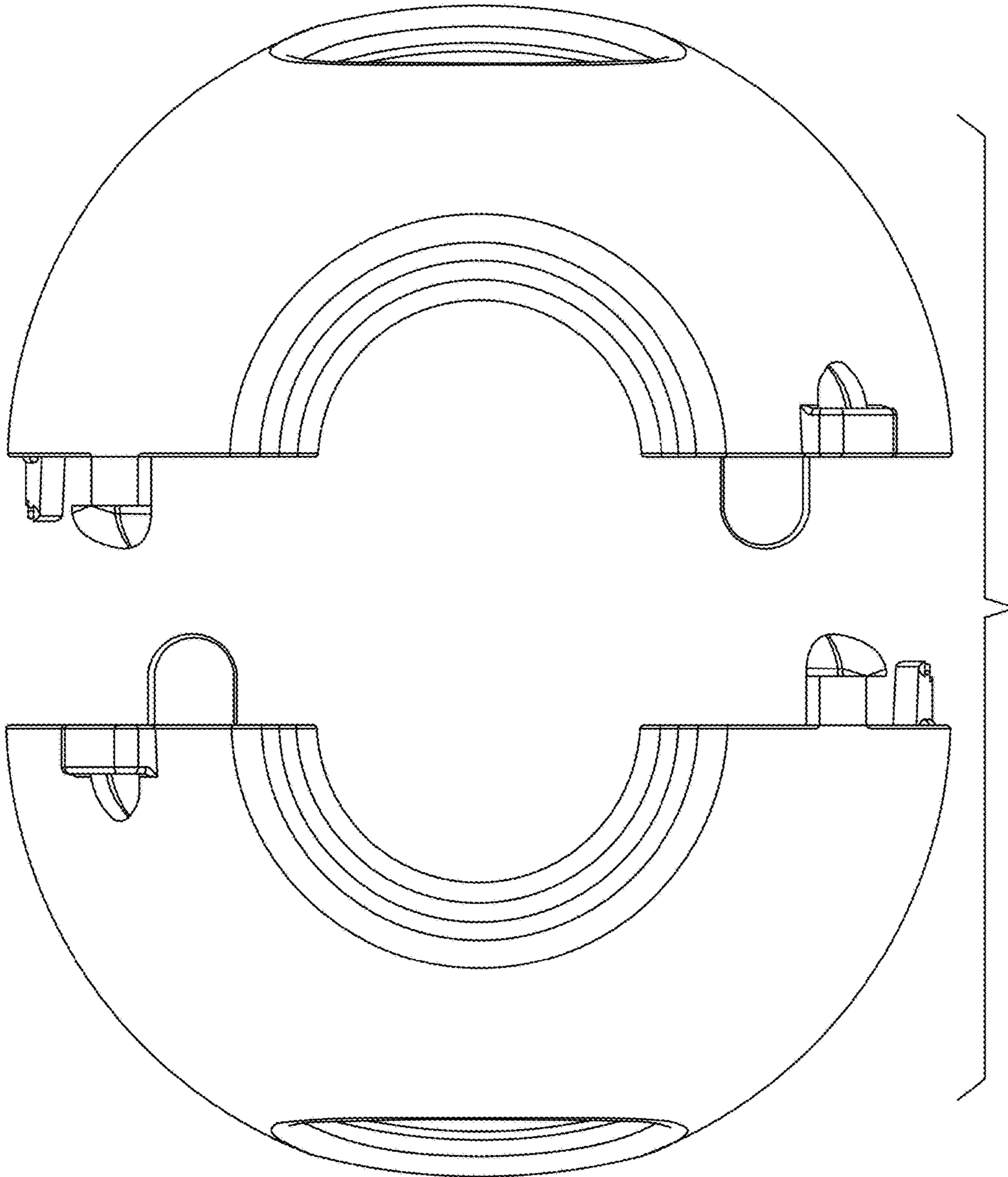


FIG. 11

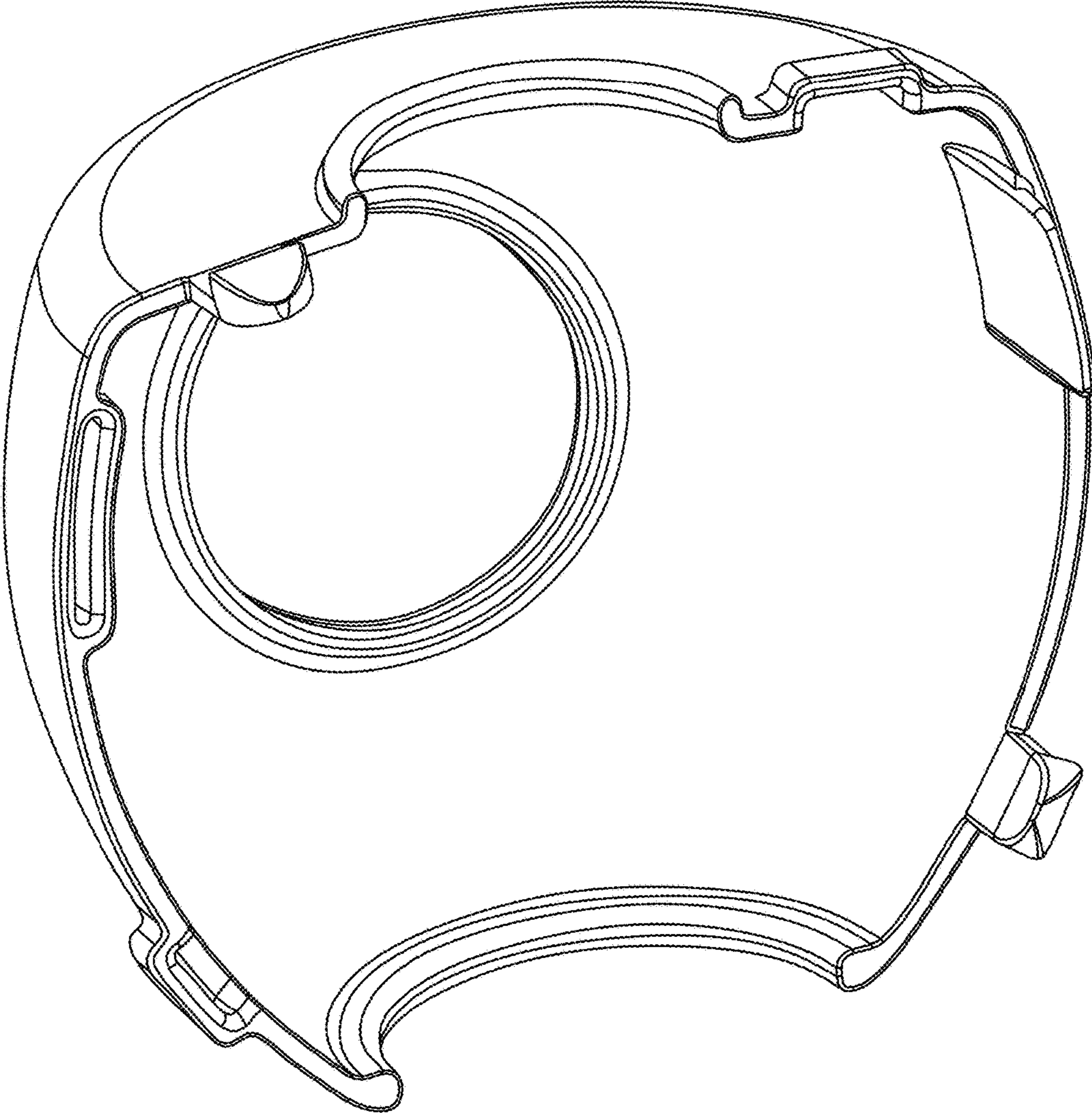


FIG. 12

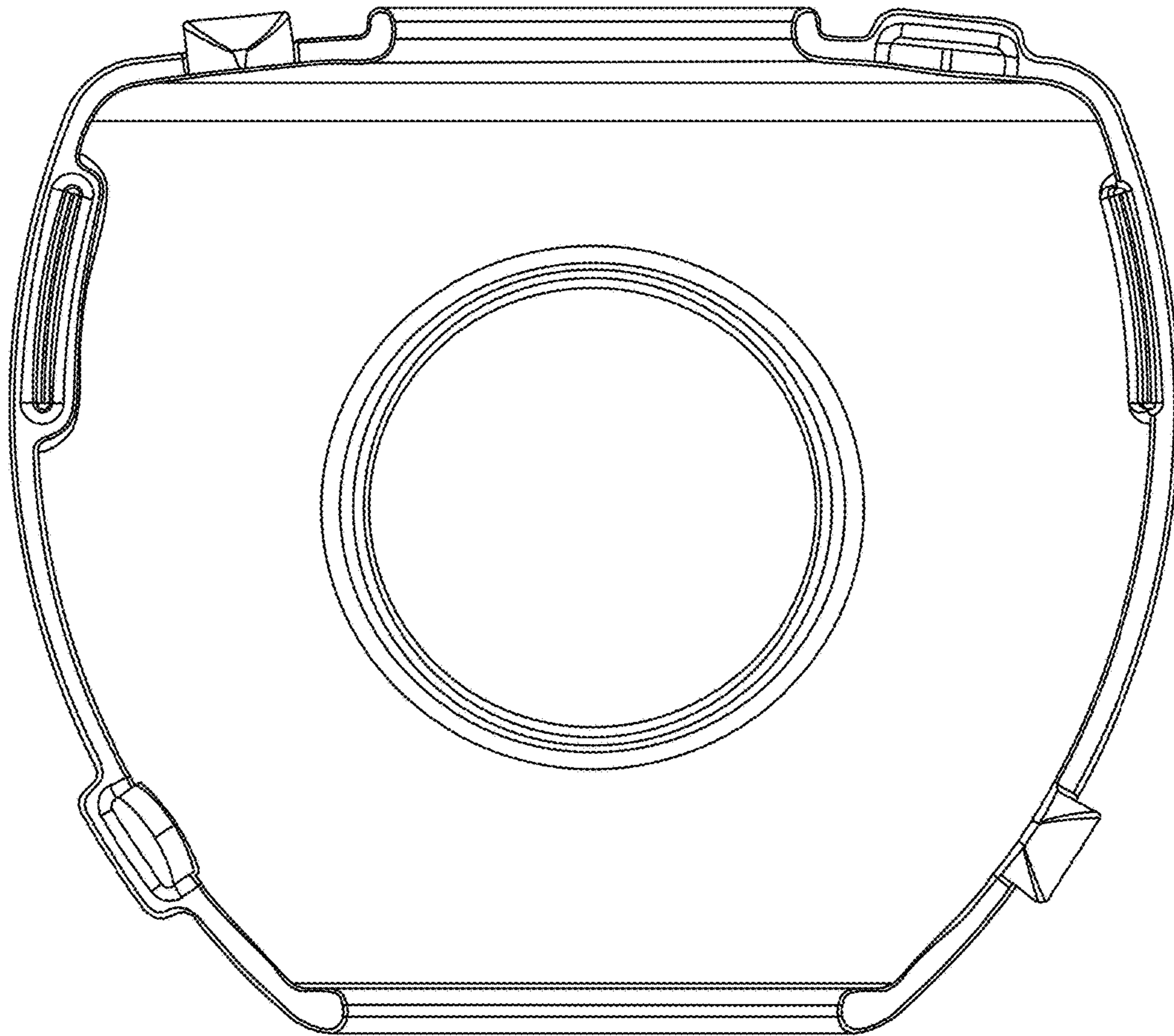


FIG. 13

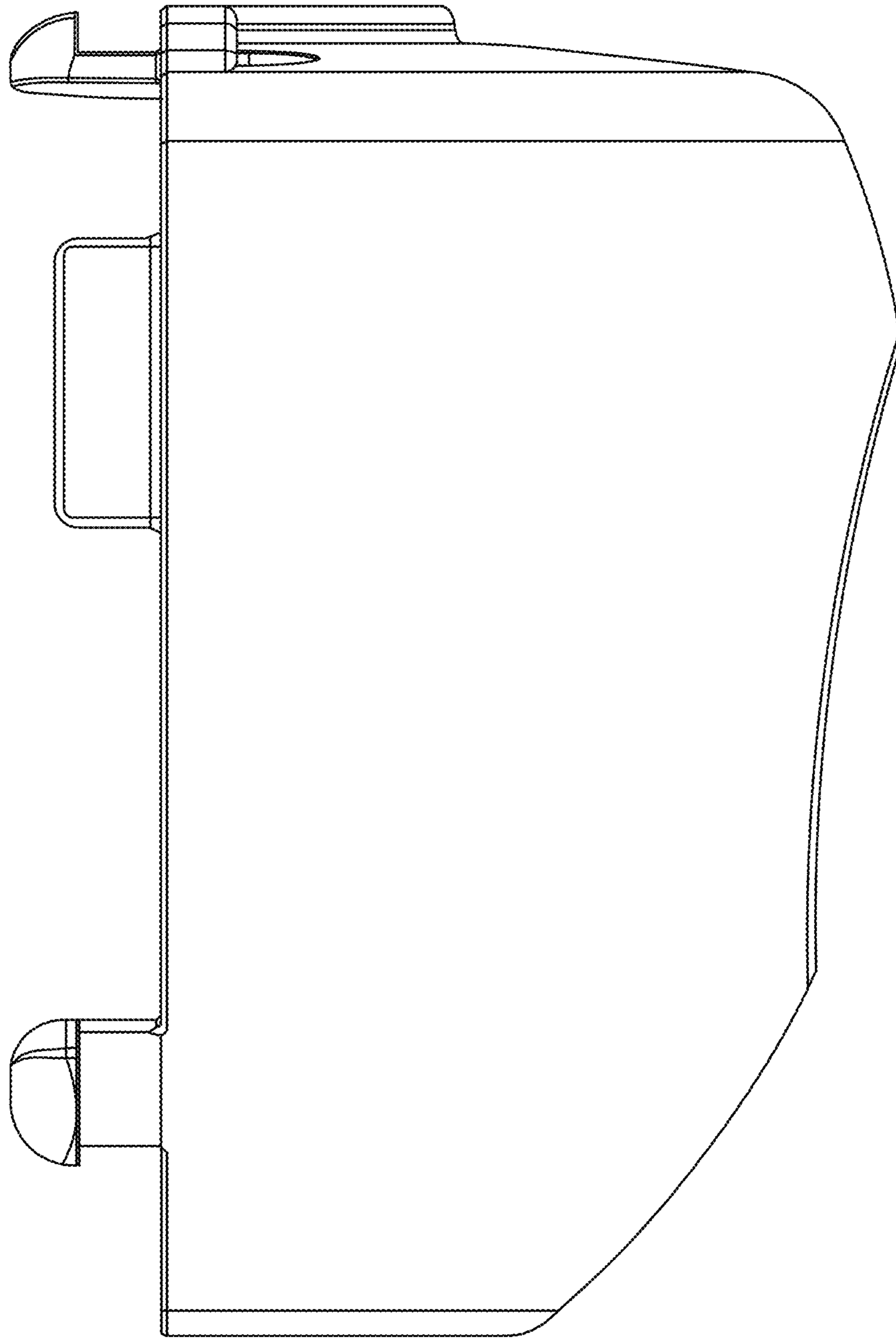


FIG. 14

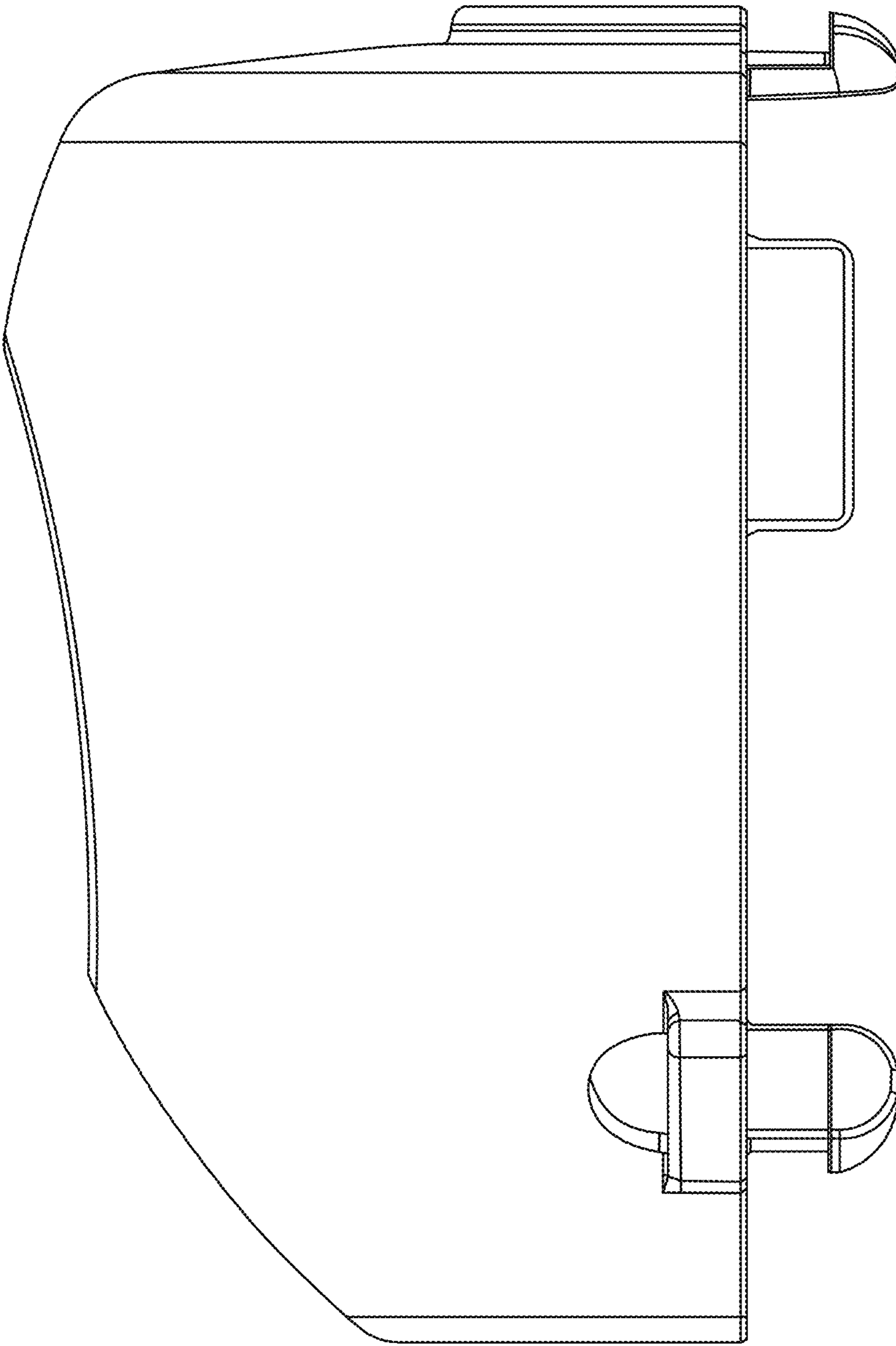


FIG. 15

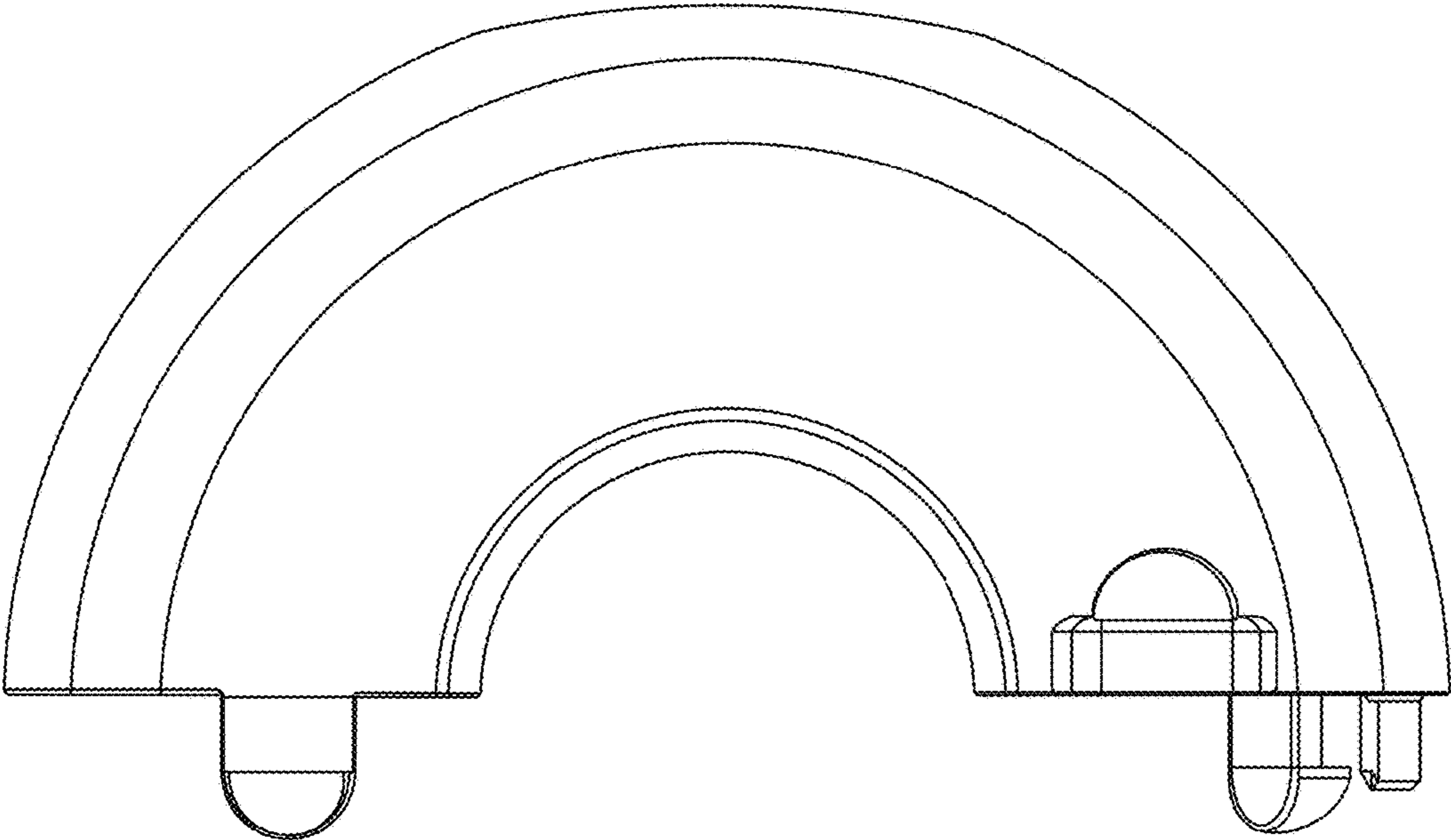


FIG. 16

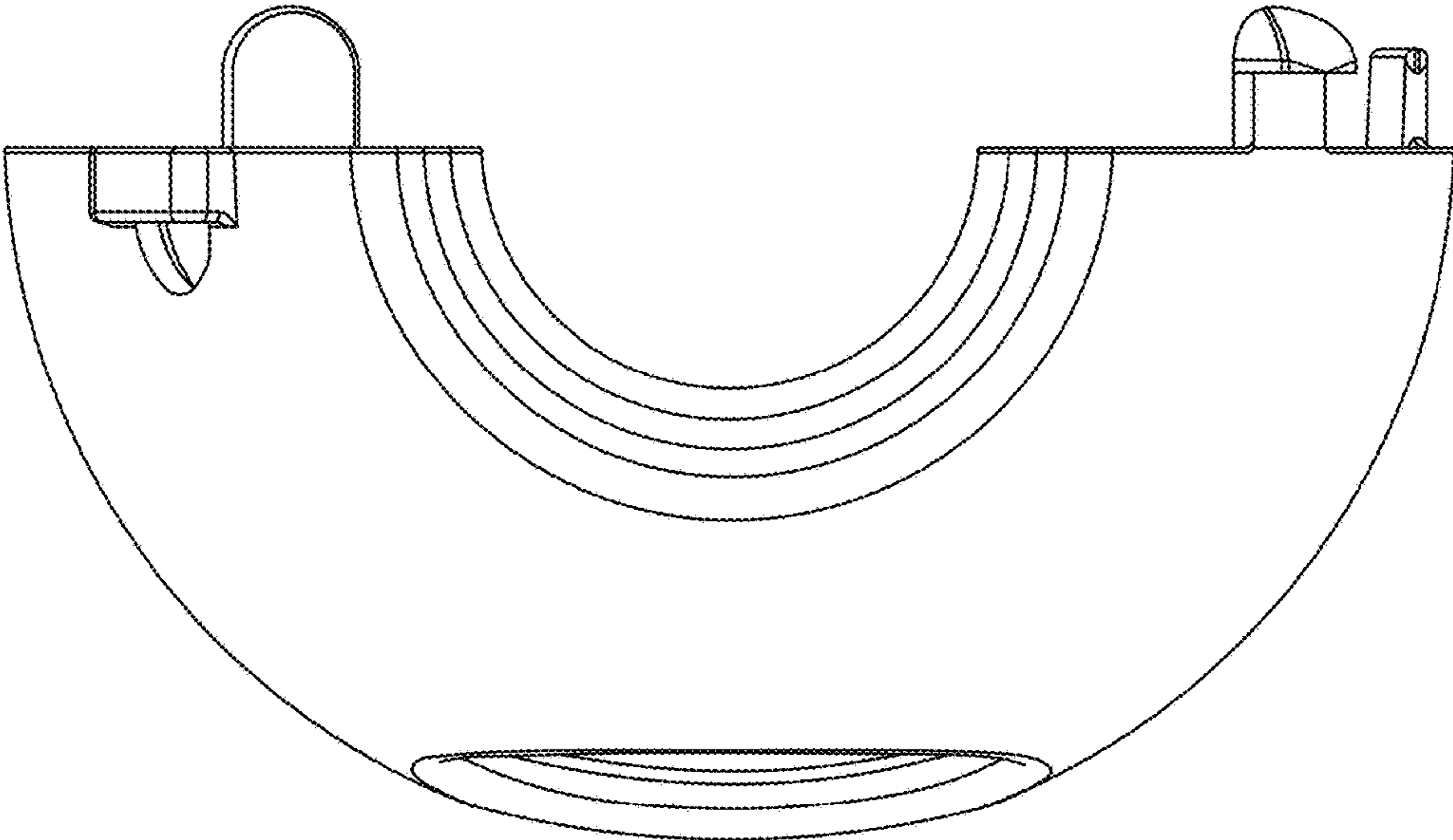


FIG. 17

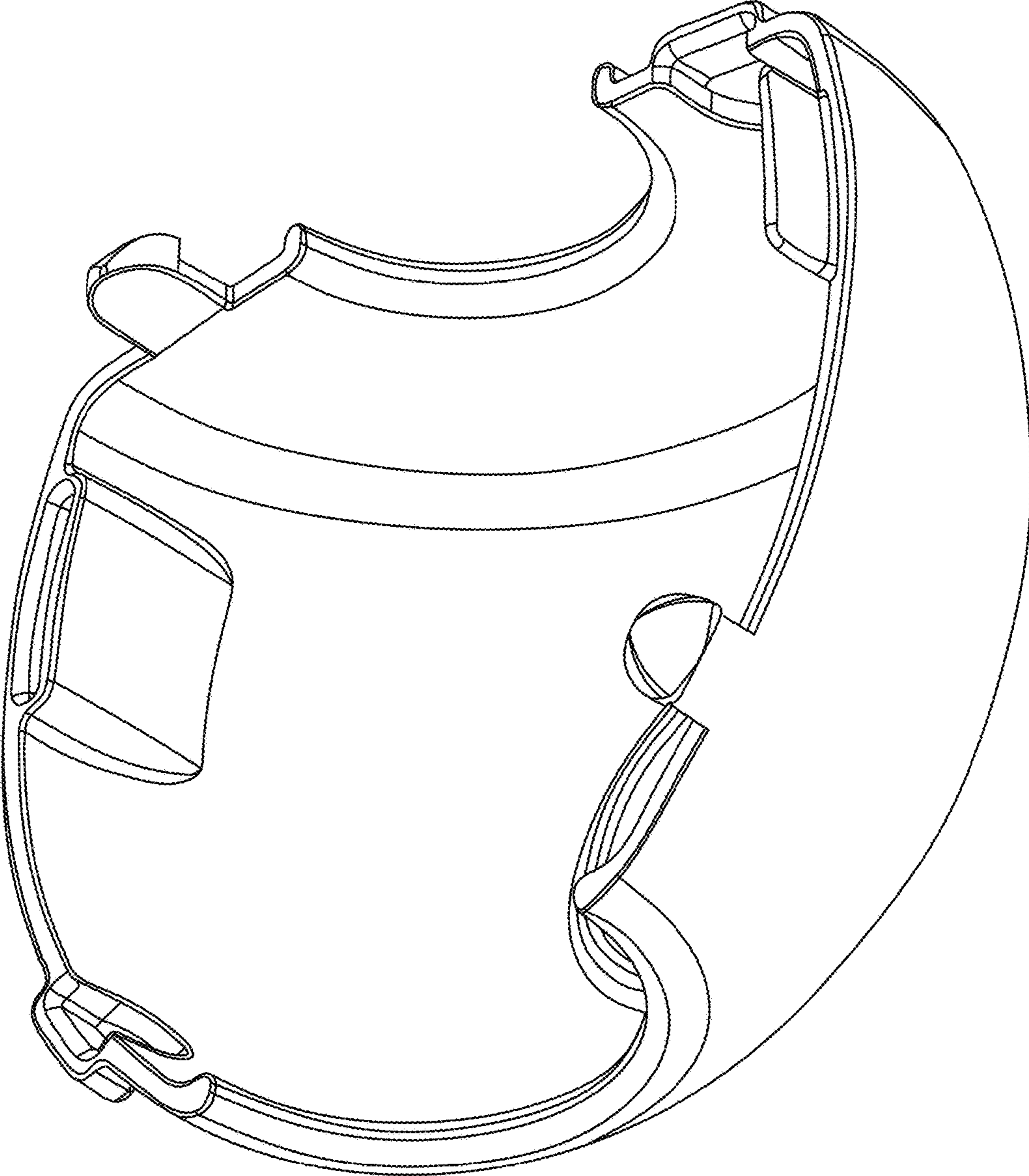


FIG. 18

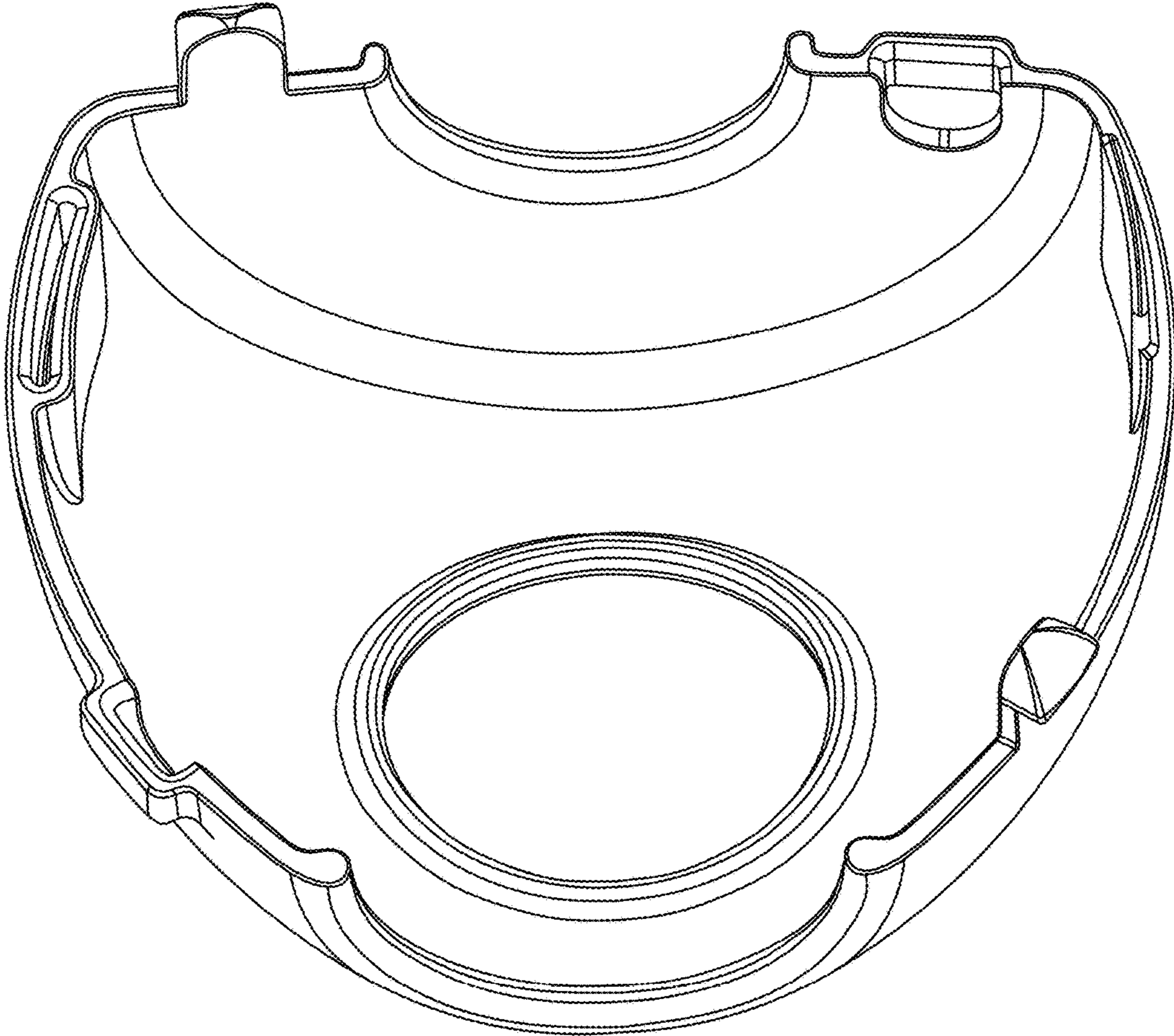


FIG. 19