



US00D787296S

(12) **United States Design Patent** (10) **Patent No.:** **US D787,296 S**  
**Zimmer** (45) **Date of Patent:** **\*\* May 23, 2017**

(54) **CABINET KNOB** 1,611,753 A \* 12/1926 Keeler ..... E05B 1/00  
292/347

(71) Applicant: **Hardware Resources, Inc.**, Bossier  
City, LA (US) 1,611,999 A \* 12/1926 Cummins ..... E05B 3/06  
292/348

(72) Inventor: **Christine Zimmer**, Hillsborough, NJ  
(US) 1,830,383 A \* 11/1931 Bos ..... E05B 1/0061  
16/414

(73) Assignee: **HARDWARE RESOURCES, INC.**,  
Bossier City, LA (US) 2,068,922 A \* 1/1937 Marchand ..... A47B 95/02  
16/417

(\*\*) Term: **15 Years** D296,815 S \* 7/1988 Jans ..... D23/252  
D322,839 S \* 12/1991 Kohler, Jr. .... D23/254  
D574,214 S \* 8/2008 Daniels ..... D8/305  
D680,407 S \* 4/2013 Ramsland ..... D8/307  
D680,848 S \* 4/2013 Jou ..... D8/305  
D718,111 S \* 11/2014 Han ..... D8/307  
D755,035 S \* 5/2016 Bahler ..... D8/307  
D772,684 S \* 11/2016 Zimmer ..... D8/307

(21) Appl. No.: **29/568,924**

(22) Filed: **Jun. 22, 2016**

(51) **LOC (10) Cl.** ..... **08-06**

(52) **U.S. Cl.**  
USPC ..... **D8/307**

(58) **Field of Classification Search**  
USPC ..... D8/300, 307, 310; D7/393; D23/250,  
D23/252, 254  
CPC ... Y10T 292/57; Y10T 16/469; Y10T 292/82;  
Y10T 74/2084; Y10T 292/85; Y10T  
16/458; Y10T 16/506; Y10T 70/5155;  
Y10T 16/46; Y10T 16/4559; Y10T  
74/20828; Y10T 70/8541; Y10T  
74/20612; Y10T 16/459; Y10T 16/487;  
Y10T 70/5389; Y10T 16/462; Y10T  
16/4636; E05B 1/0007; E05B 3/00; Y10S  
16/30; Y10S 292/53; Y10S 292/27  
See application file for complete search history.

\* cited by examiner

*Primary Examiner* — Derrick Holland

*Assistant Examiner* — Lauren Calve

(74) *Attorney, Agent, or Firm* — Schultz & Associates,  
P.C.

(57) **CLAIM**

The ornamental design for a cabinet knob, as shown and described.

**DESCRIPTION**

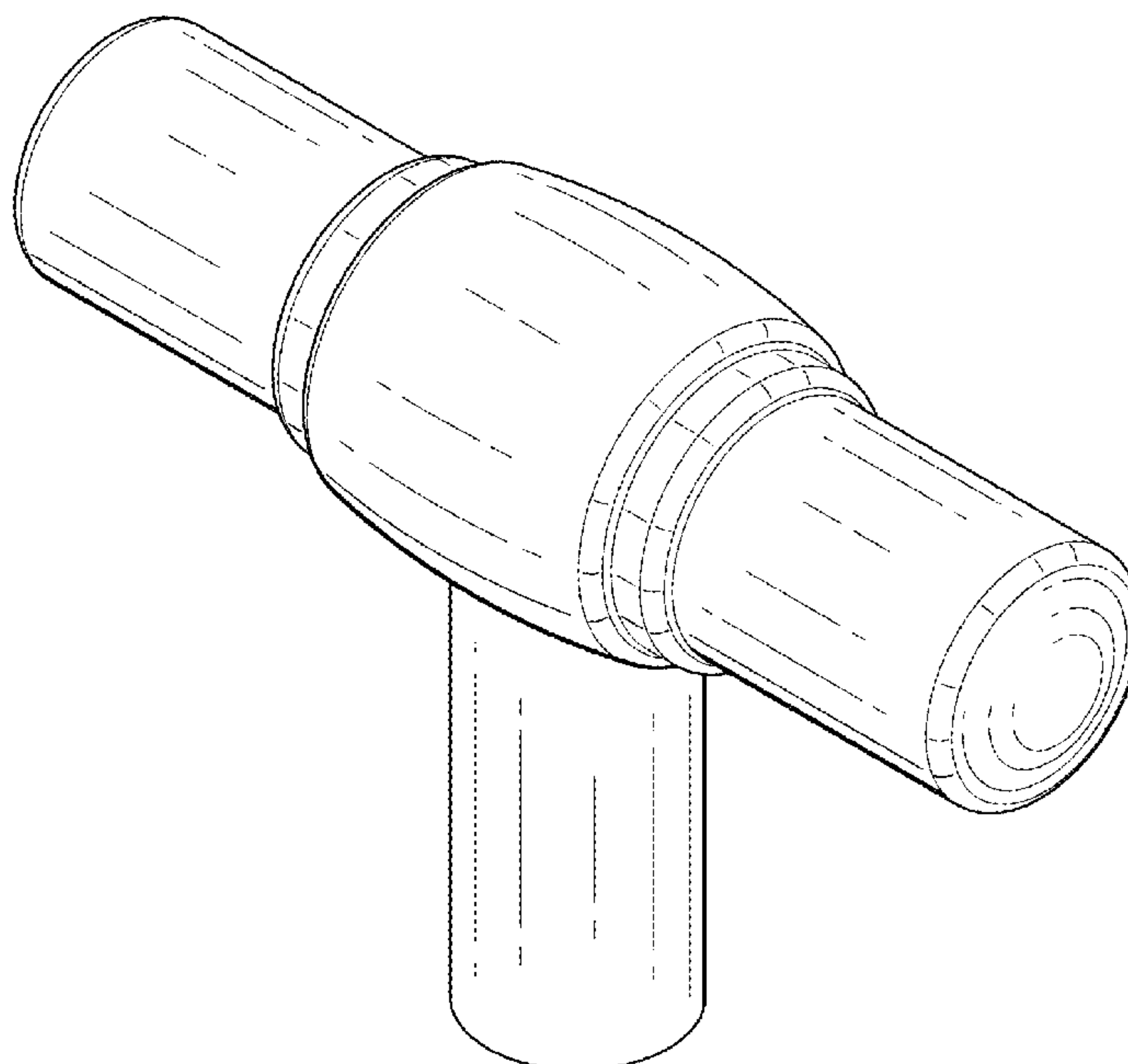
FIG. 1 is a perspective view of a cabinet knob showing my new design;  
FIG. 2 is a side elevation view thereof;  
FIG. 3 is a second side elevation view thereof;  
FIG. 4 is top plan view thereof; and,  
FIG. 5 is a bottom plan view thereof.  
The broken lines shown represent unclaimed subject matter and form no part of the claimed design.

**1 Claim, 3 Drawing Sheets**

(56) **References Cited**

**U.S. PATENT DOCUMENTS**

D4,323 S \* 8/1870 Thomas ..... D23/250  
742,448 A \* 10/1903 Konrad ..... E05B 1/0015  
16/412



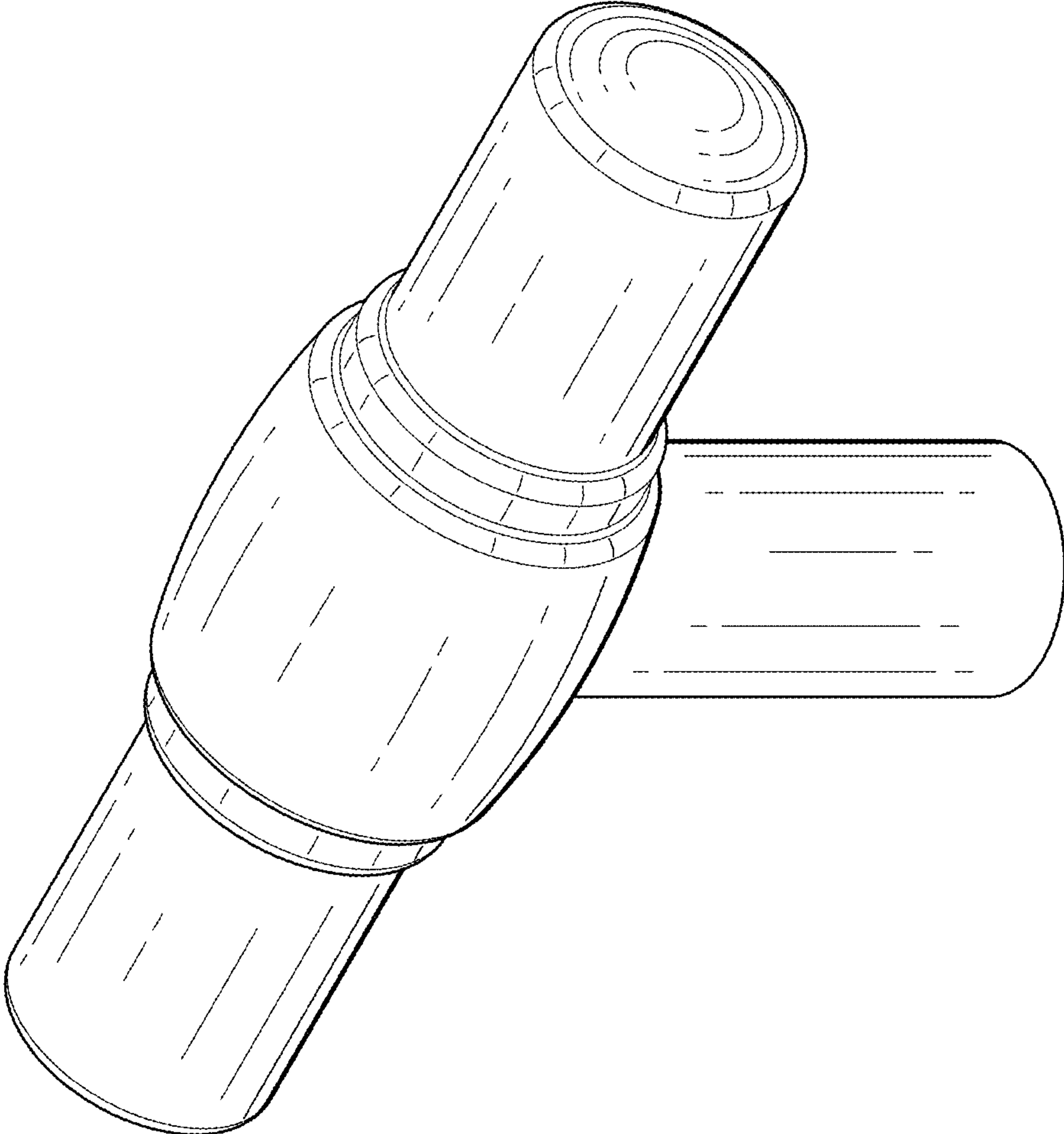


FIG. 1

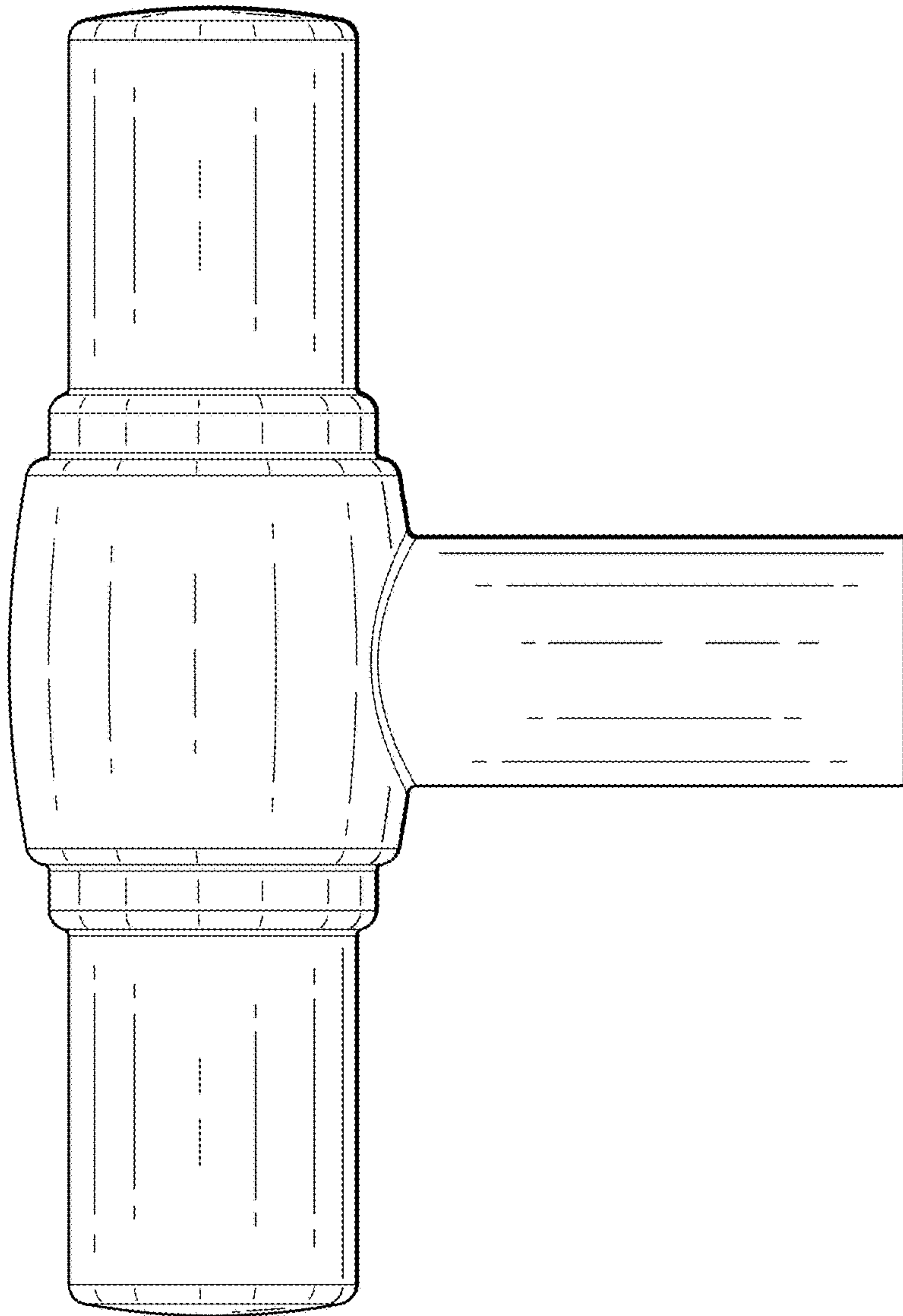


FIG. 2

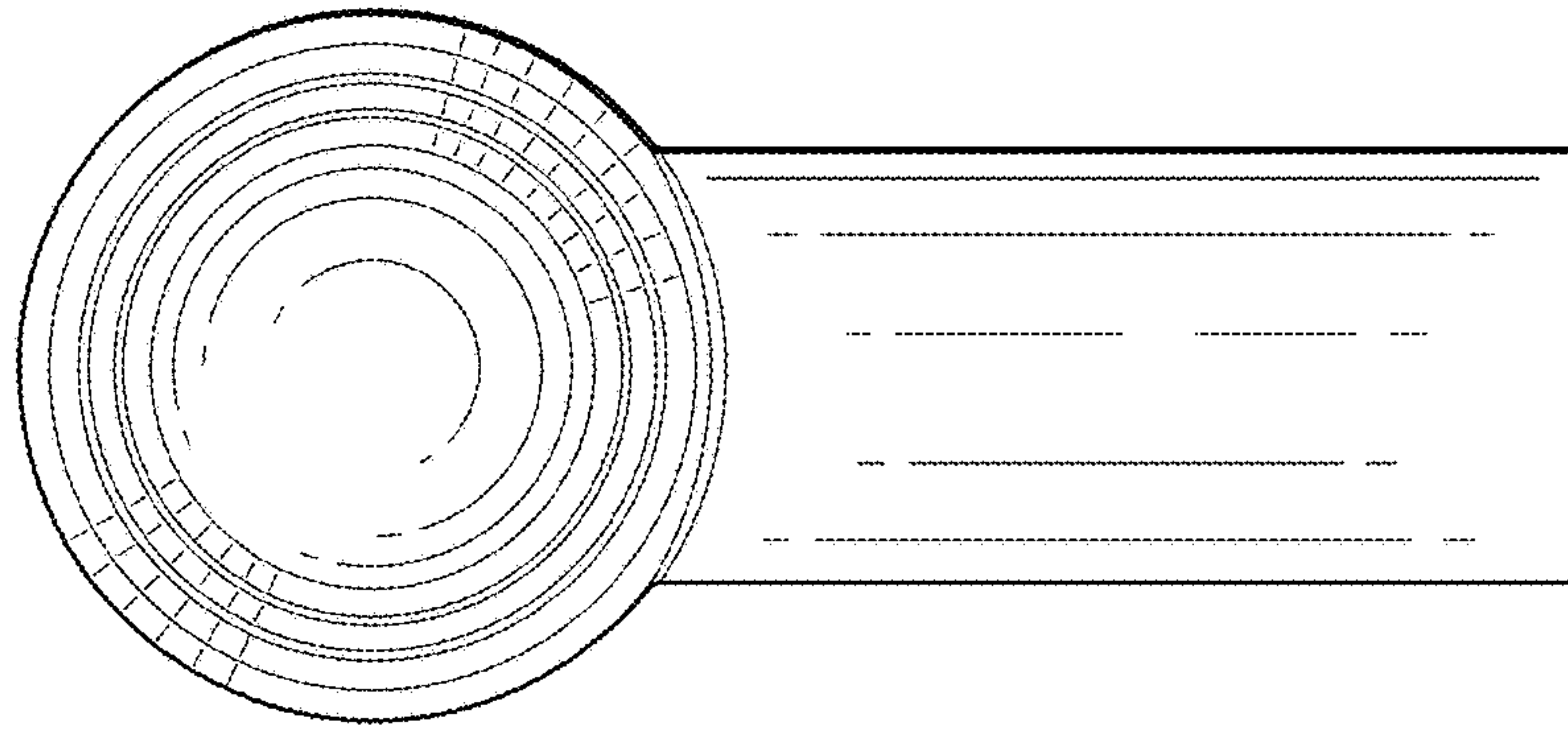


FIG. 3

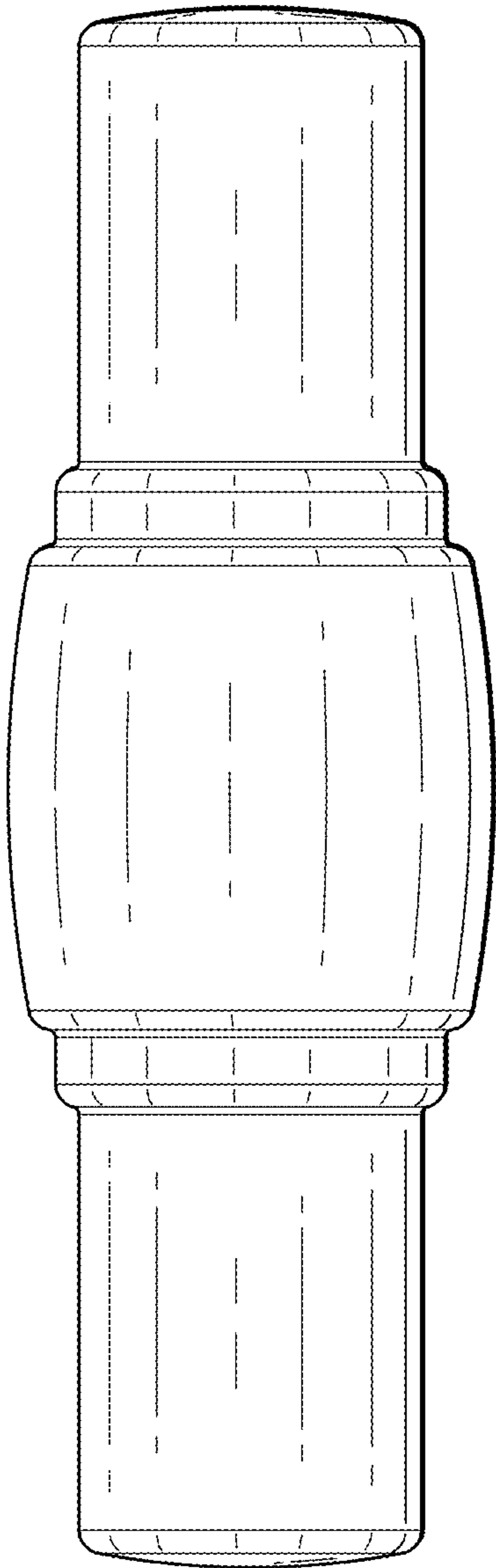


FIG. 4

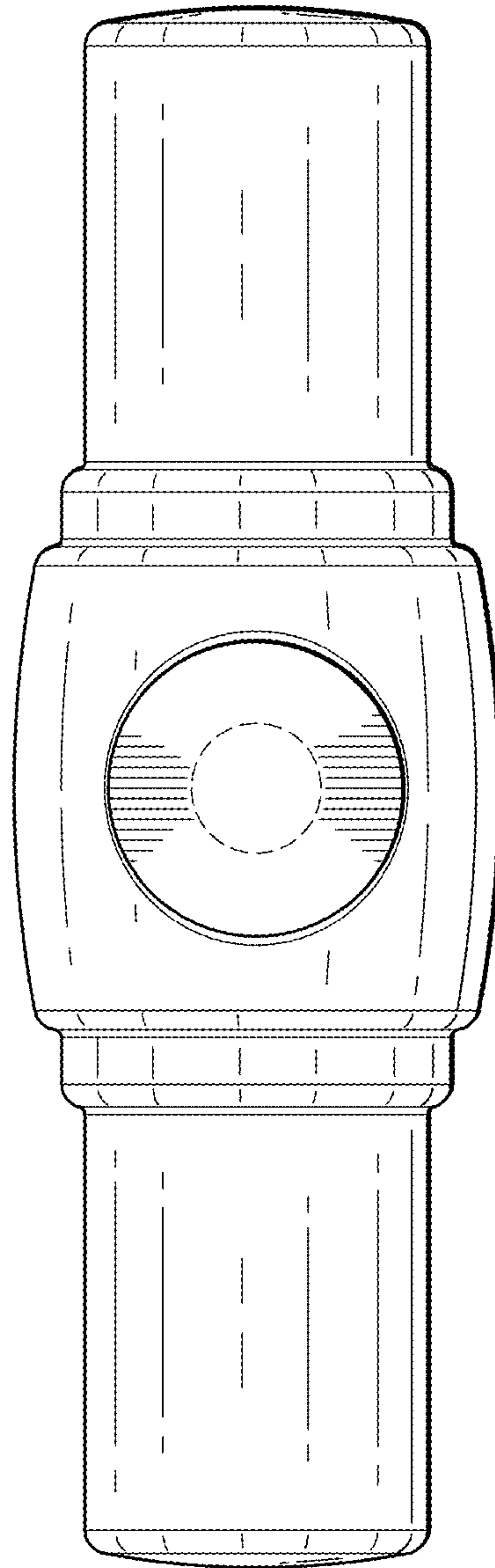


FIG. 5