



US00D787295S

(12) **United States Design Patent** (10) **Patent No.:** **US D787,295 S**
Young (45) **Date of Patent:** **** May 23, 2017**

- (54) **TOILET SEAT LIFTING TAB**
- (71) Applicant: **Marguerite L. Young**, Fernley, NV (US)
- (72) Inventor: **Marguerite L. Young**, Fernley, NV (US)
- (**) Term: **15 Years**
- (21) Appl. No.: **29/536,120**
- (22) Filed: **Aug. 13, 2015**
- (51) **LOC (10) Cl.** **08-06**
- (52) **U.S. Cl.**
USPC **D8/307**
- (58) **Field of Classification Search**
USPC D8/300-322; 4/251
CPC ... Y10T 16/509; Y10T 16/469; A47K 13/105;
A47K 13/30; A47K 13/24; Y10S 16/905;
Y10S 16/12
See application file for complete search history.

(56) **References Cited**

U.S. PATENT DOCUMENTS

2,758,315	A *	8/1956	Hylton	A47K 13/105 16/443
D191,497	S *	10/1961	Hottle	4/246.1
3,191,193	A *	6/1965	Bogenberger	A47K 13/105 16/422
3,717,884	A *	2/1973	Mantooth	A47K 13/105 16/443
D237,797	S *	11/1975	Hermann	D23/311
D245,095	S *	7/1977	Murray	D8/17
4,742,582	A *	5/1988	Giallourakis	A47K 13/105 4/246.1
D308,244	S *	5/1990	Leonakis	D8/307
4,920,586	A *	5/1990	Giallourakis	A47K 13/105 4/246.1

(Continued)

OTHER PUBLICATIONS

Toilet Seat Lifter Handle Hygienic Clean Avoid Touch Lift Lower Self Adhesive, posted at ebay.ie, last updated Apr. 29, 2016,

[online], [site visited Sep. 15, 2016]. Available from Internet, <URL: <http://www.ebay.ie/itm/Toilet-Seat-Lifter-Handle-Hygienic-Clean-Avoid-Touch-Lift-Lower-Self-Adhesive-/301648266868>>.*

(Continued)

Primary Examiner — Caron D Veynar
Assistant Examiner — Maria Edwards

(74) *Attorney, Agent, or Firm* — David Millers

(57) **CLAIM**

The ornamental design for a toilet seat lifting tab, substantially as shown and described.

DESCRIPTION

This patent document is related to co-filed U.S. Design patent application Ser. No. 29/536,130, entitled Glow-in-the-Dark Toilet Seat Lifting Tab.

FIG. 1 is a perspective view taken from the top, front and right side of a toilet seat lifting tab according to the design; FIG. 2 is a top plan view thereof;

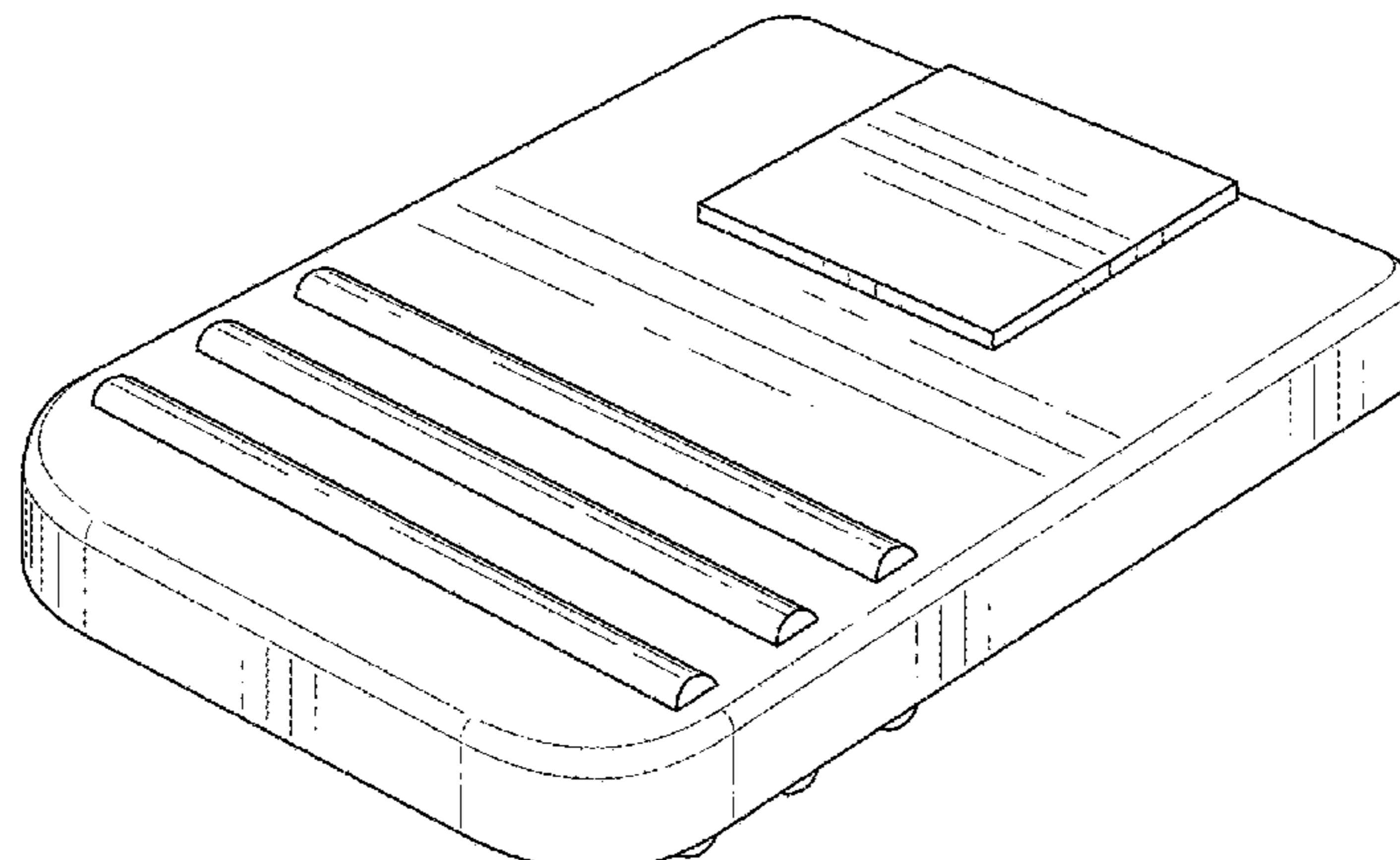
FIG. 3 is a bottom plan view thereof; and,

FIG. 4 is a right side elevation view thereof, the left side being a mirror image of the right side shown.

The features of the design embodied in a toilet seat lifting tab are shown in the figures. The toilet seat lifting tab has a top surface with an adhesive pad to attach the toilet seat lifting tab under a toilet seat or lid and to thereby provide a handle that protrudes for raising or lowering of the toilet seat or lid. The design include ridges or grips as shown, which are incorporated into the handle portion. The design may have any surface printing, shading, or color including but not limited to smoky, off-white, clear, or glow-in-the-dark colors. Color, shading, and surface printing are not part of the design.

The portions of the article shown as broken line areas in the drawings form no part of the claimed design.

1 Claim, 4 Drawing Sheets



(56)

References Cited

U.S. PATENT DOCUMENTS

5,058,215 A * 10/1991 Sims A47K 13/105
16/443
D324,161 S * 2/1992 MacRitchie D8/307
5,086,523 A * 2/1992 De Mott A47K 13/105
16/421
D325,331 S * 4/1992 Onstad D8/307
D326,599 S * 6/1992 Callahan D8/307
D331,184 S * 11/1992 Walker D23/312
D331,185 S * 11/1992 Walker D23/312
5,531,300 A * 7/1996 Tsai A45C 13/262
16/113.1
5,590,425 A * 1/1997 Janik, Jr. A47K 13/10
4/246.1
D394,097 S * 5/1998 Nivin D8/313
D406,641 S * 3/1999 Siliato D23/311
D432,636 S * 10/2000 Huot D23/311
6,634,032 B1 * 10/2003 Janik A47K 13/30
4/246.1
D488,988 S * 4/2004 Draffehn D8/307
6,721,964 B1 * 4/2004 Marshall A47K 13/105
4/246.1
D618,982 S * 7/2010 Golden D8/308
D657,653 S * 4/2012 Pettus D8/307
D670,992 S * 11/2012 Gauthia D8/307

8,402,571 B1 * 3/2013 Pagett A47K 13/105
292/125
D684,837 S * 6/2013 Maldonado D8/307
D688,934 S * 9/2013 Blanthorne D8/307
D706,109 S * 6/2014 McGarrity D8/307
D708,925 S * 7/2014 Shenkal D8/307
D709,345 S * 7/2014 Reitano D8/107
D723,901 S * 3/2015 Holtman D8/307
2002/0026665 A1 * 3/2002 Benkhardt A47K 13/24
4/661
2004/0107486 A1 * 6/2004 Yoo A47K 13/105
4/246.1
2006/0225190 A1 * 10/2006 Diego A47K 13/105
4/246.1
2008/0104744 A1 * 5/2008 Aviles Garcia A47K 13/105
4/253
2009/0049590 A1 * 2/2009 Foster A47K 13/105
4/246.1
2014/0000018 A1 * 1/2014 Chandler A47K 13/105
4/246.1

OTHER PUBLICATIONS

The One and Only Toilet Tabby!, posted at www.toilettabby.com,
posting date not given, [online], [site visited Sep. 15, 2016].
Available from Internet, <URL: <http://www.toilettabby.com/>>.*

* cited by examiner

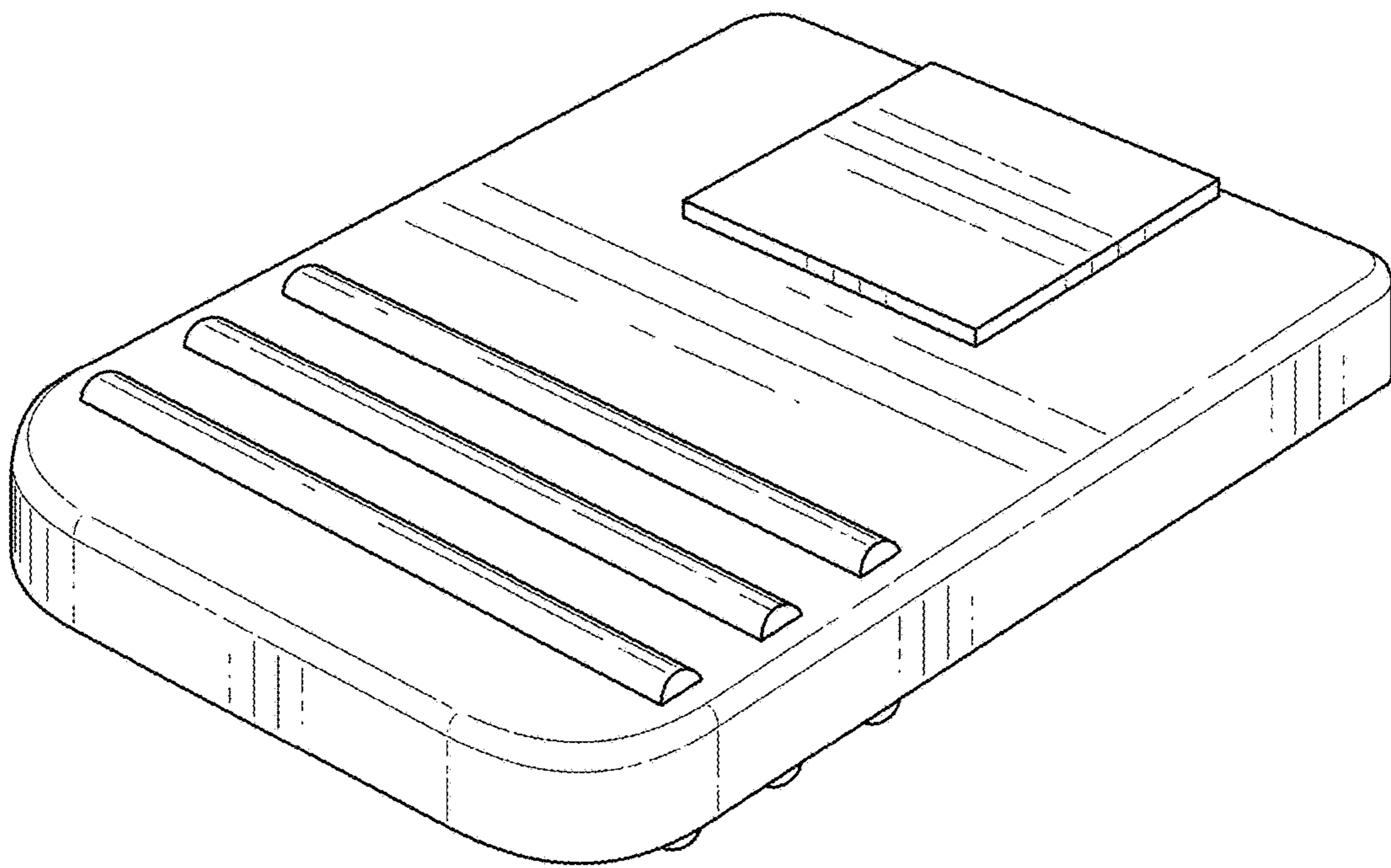


FIG. 1

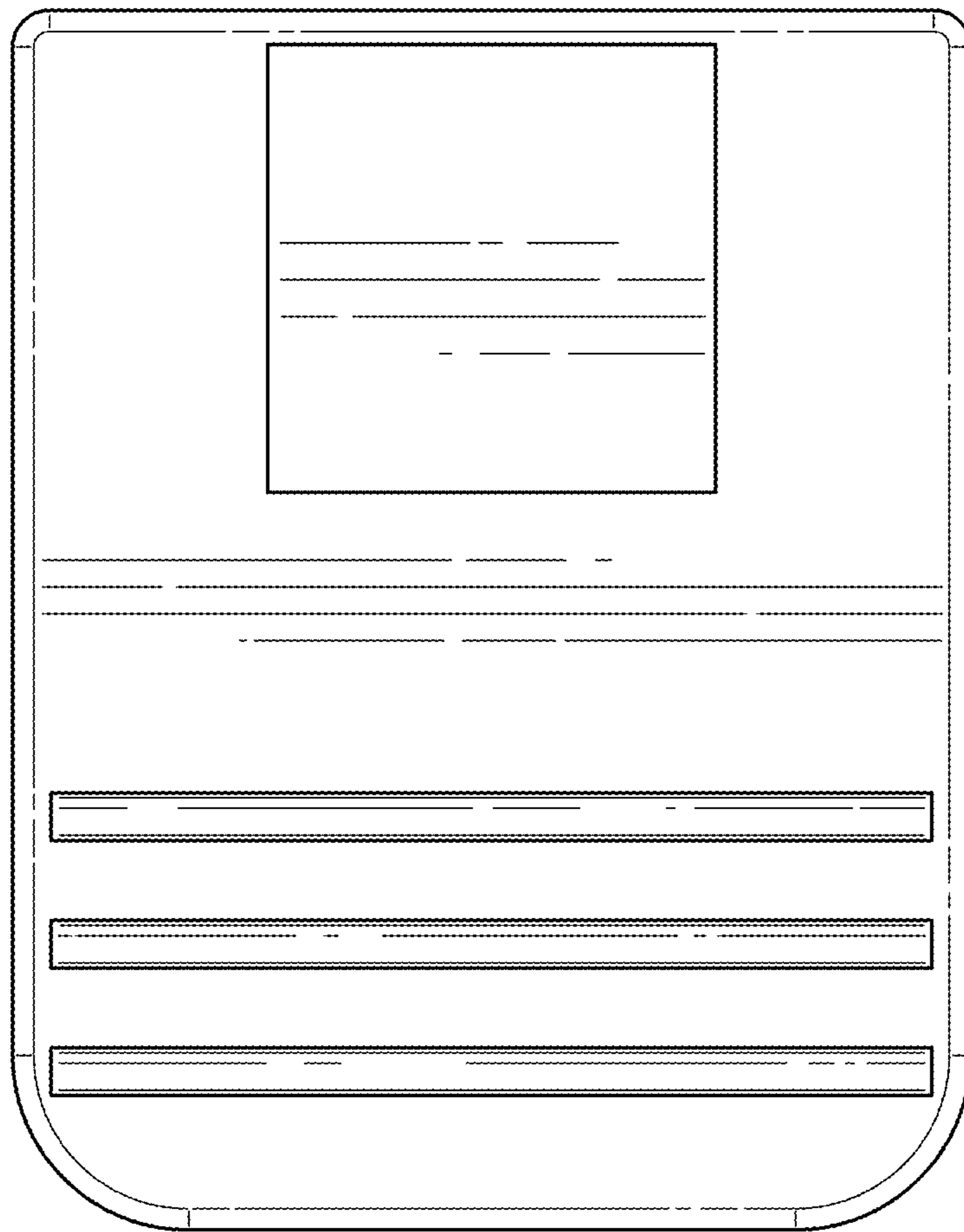


FIG. 2

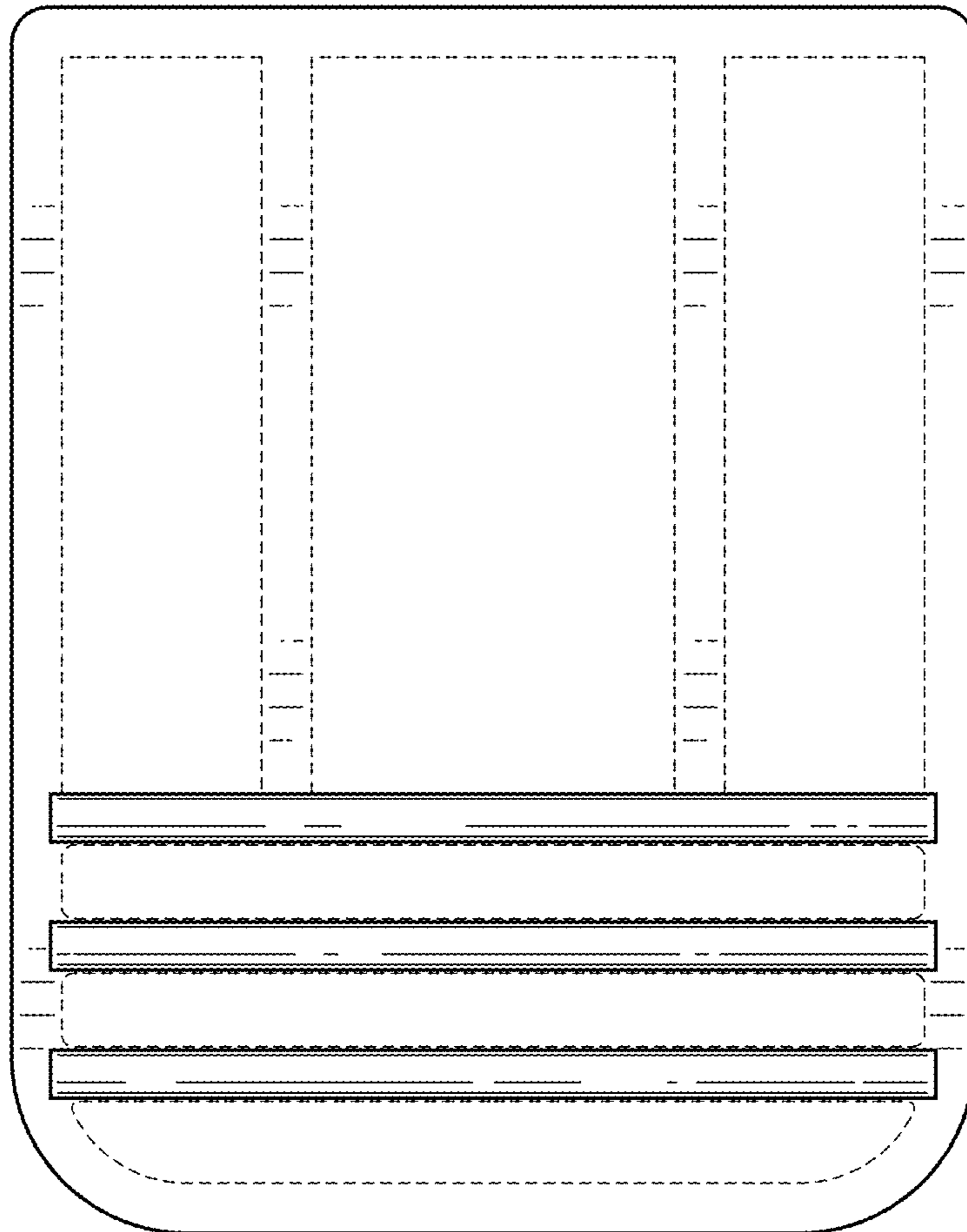


FIG. 3

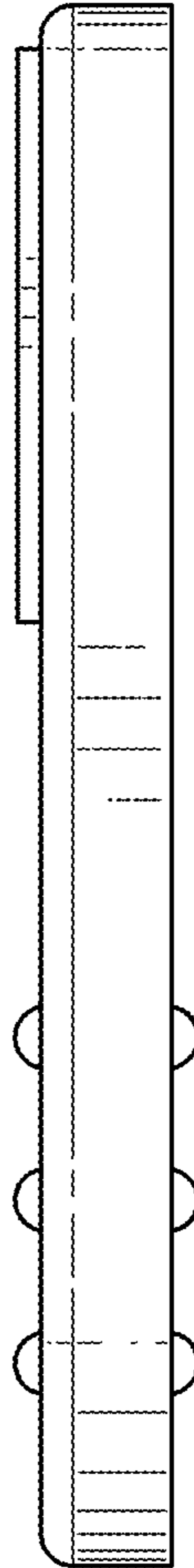


FIG. 4