



US00D787292S

(12) **United States Design Patent**
Lehovetzki et al.

(10) **Patent No.:** **US D787,292 S**

(45) **Date of Patent:** **** May 23, 2017**

- (54) **SANDING TOOL**
- (71) Applicant: **STANLEY MIDDLE EAST FZE**,
Jebel Ali, Dubai (UA)
- (72) Inventors: **Axel Lehovetzki**, Les Lilas (FR);
Julian Bignon-Zillhardt, Viry
Chatillon (FR)
- (73) Assignee: **Stanley Middle East FZE**, Dubai (AE)
- (**) Term: **15 Years**
- (21) Appl. No.: **29/551,931**
- (22) Filed: **Jan. 19, 2016**
- (30) **Foreign Application Priority Data**

- 3,224,149 A * 12/1965 Harrington B24D 15/023
451/518
- D216,668 S * 3/1970 Tims, Jr. D8/45
- 3,813,830 A * 6/1974 Hodge B24D 15/023
451/524
- 4,343,910 A * 8/1982 Busch, Jr. A45D 29/12
132/73
- D310,012 S * 8/1990 Henke D8/45
- 5,007,206 A * 4/1991 Paterson B24D 15/023
451/344
- 5,245,797 A * 9/1993 Milkie B24D 15/023
451/354
- D344,003 S * 2/1994 Milkie D8/90
- 5,283,988 A * 2/1994 Brown B24D 15/04
451/344
- 5,993,306 A * 11/1999 McCoy B24D 15/04
451/523
- D426,134 S * 6/2000 Pytlewski D8/107
- D453,672 S * 2/2002 McCoy D8/45
- D474,389 S * 5/2003 Panfili D8/45

(Continued)

Jul. 16, 2015 (EM) 002738245-0001

- (51) **LOC (10) Cl.** **08-05**
- (52) **U.S. Cl.**
USPC **D8/90**
- (58) **Field of Classification Search**
USPC D8/45, 90, 94, 107
CPC B29C 73/06; B29C 73/066; B29C 73/08;
B29L 2030/00
See application file for complete search history.

Primary Examiner — Philip S Hyder
Assistant Examiner — Roselyne Cody
 (74) *Attorney, Agent, or Firm* — Caeden Drayton; Adan Ayala

(57) **CLAIM**

The ornamental design for a sanding tool, as shown and described.

(56) **References Cited**

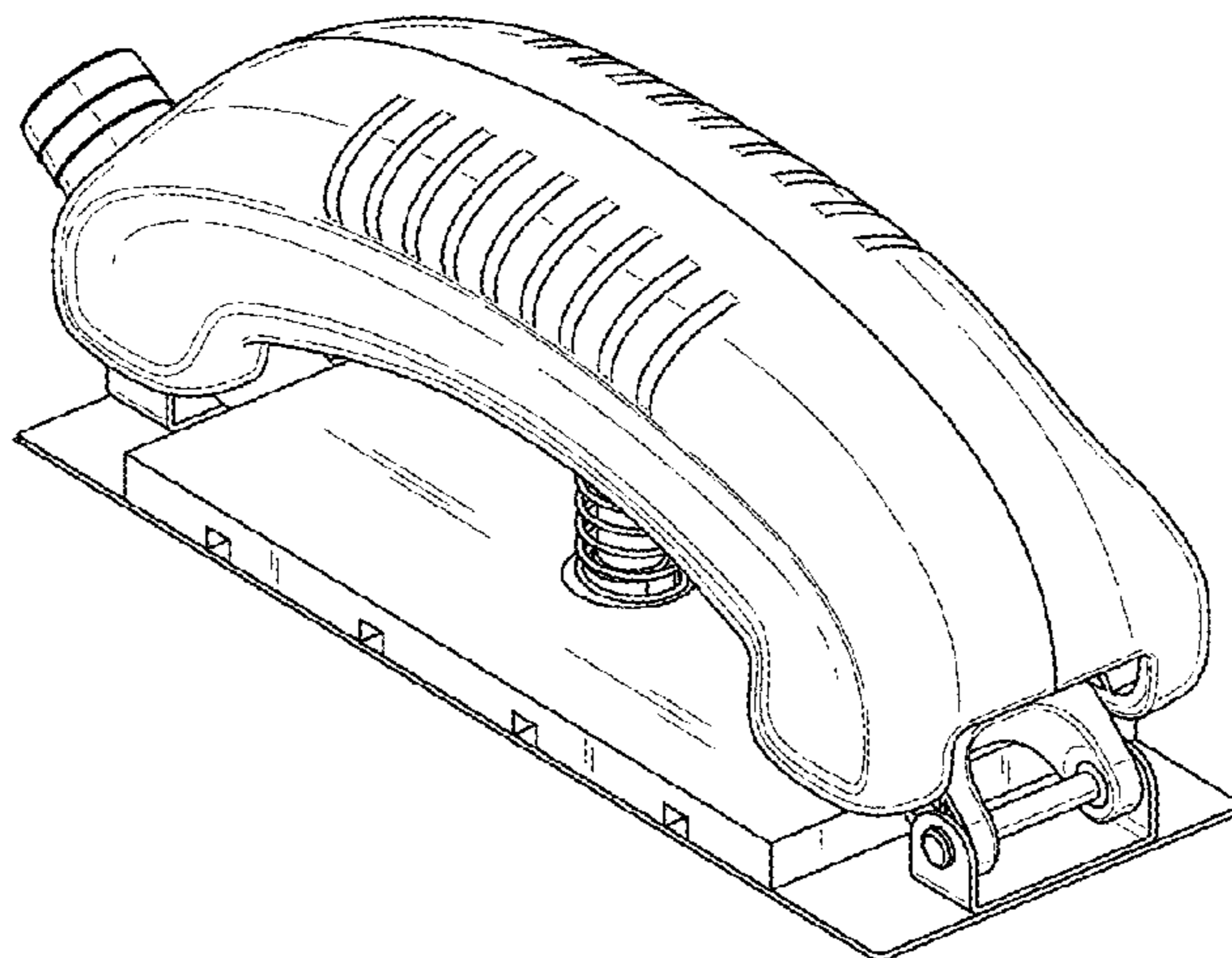
U.S. PATENT DOCUMENTS

- 1,509,807 A * 9/1924 Gray E04F 21/06
15/235.4
- 1,544,368 A * 6/1925 Brennan E04F 21/06
15/235.4
- 1,761,109 A * 6/1930 Dietz E04F 21/06
15/235.4
- 2,329,767 A * 9/1943 Jakeway A47B 95/02
16/415
- 3,010,133 A * 11/1961 Hurd E04F 21/06
15/235.4

DESCRIPTION

FIG. 1 is a perspective view of a sanding tool showing a new design;
 FIG. 2 is a front view thereof;
 FIG. 3 is a rear view thereof;
 FIG. 4 is a right side view thereof;
 FIG. 5 is a left side view thereof;
 FIG. 6 is a top view thereof; and,
 FIG. 7 is a bottom view thereof.

1 Claim, 7 Drawing Sheets



(56)

References Cited

U.S. PATENT DOCUMENTS

6,719,620 B1 * 4/2004 Panfli B24D 15/023
451/515
D504,601 S * 5/2005 Jimenez D8/45
7,033,259 B1 * 4/2006 Seasholtz B24D 15/023
451/354
D525,508 S * 7/2006 Leonard, II D8/90
D531,876 S * 11/2006 Jimenez D8/107
7,186,174 B1 * 3/2007 Arnold B24D 15/023
451/507
D556,534 S * 12/2007 Henke D8/90
D582,750 S * 12/2008 Heidrich D8/316
D668,124 S * 10/2012 Lewis D8/45
D720,592 S * 1/2015 Arvinte D8/90
2006/0154582 A1 * 7/2006 Hope B24D 15/04
451/533
2009/0124177 A1 * 5/2009 Berryhill B24D 15/02
451/59
2009/0186566 A1 * 7/2009 Lamers B24D 15/04
451/458
2016/0361797 A1 * 12/2016 Speare B24D 15/04

* cited by examiner

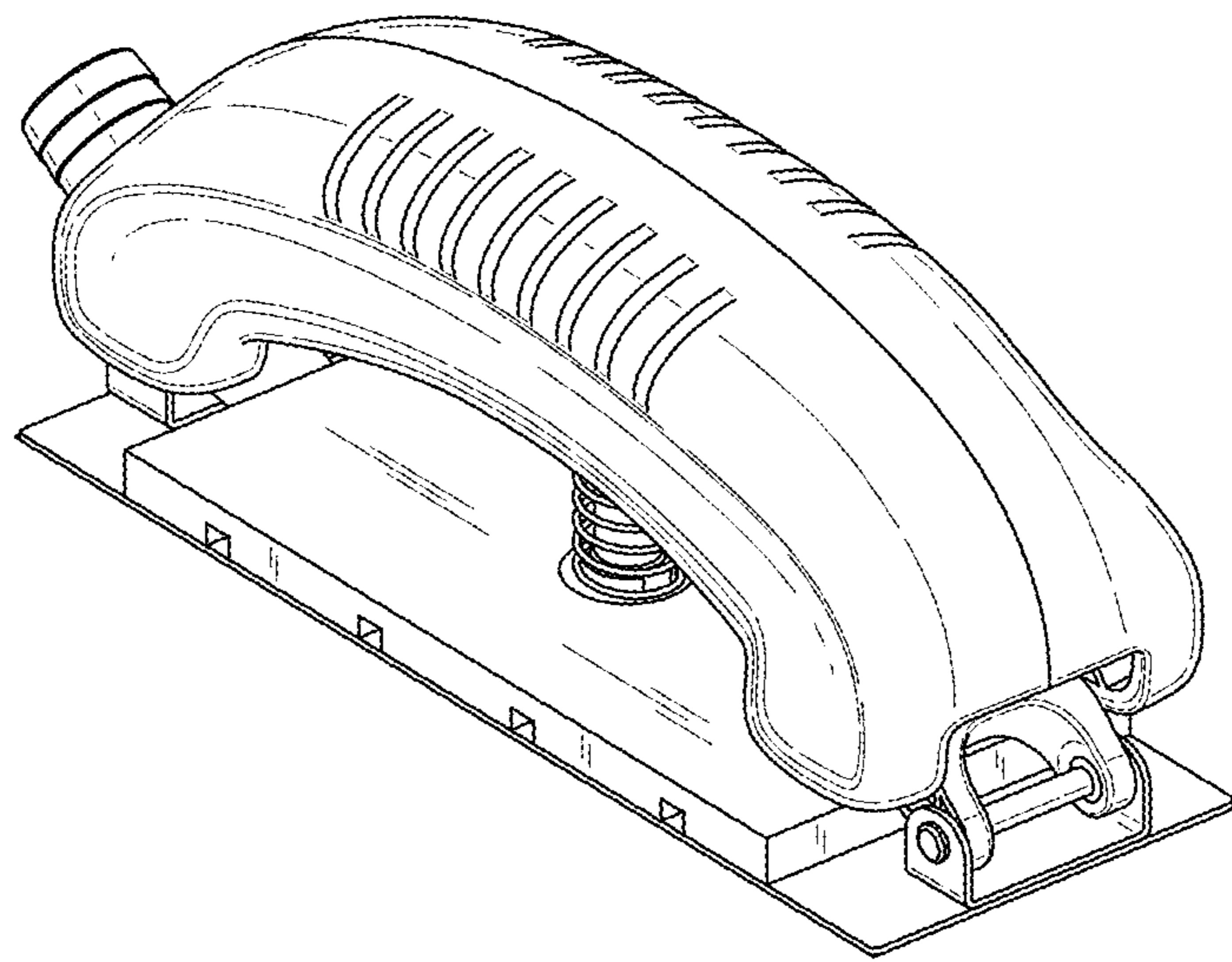


Fig. 1

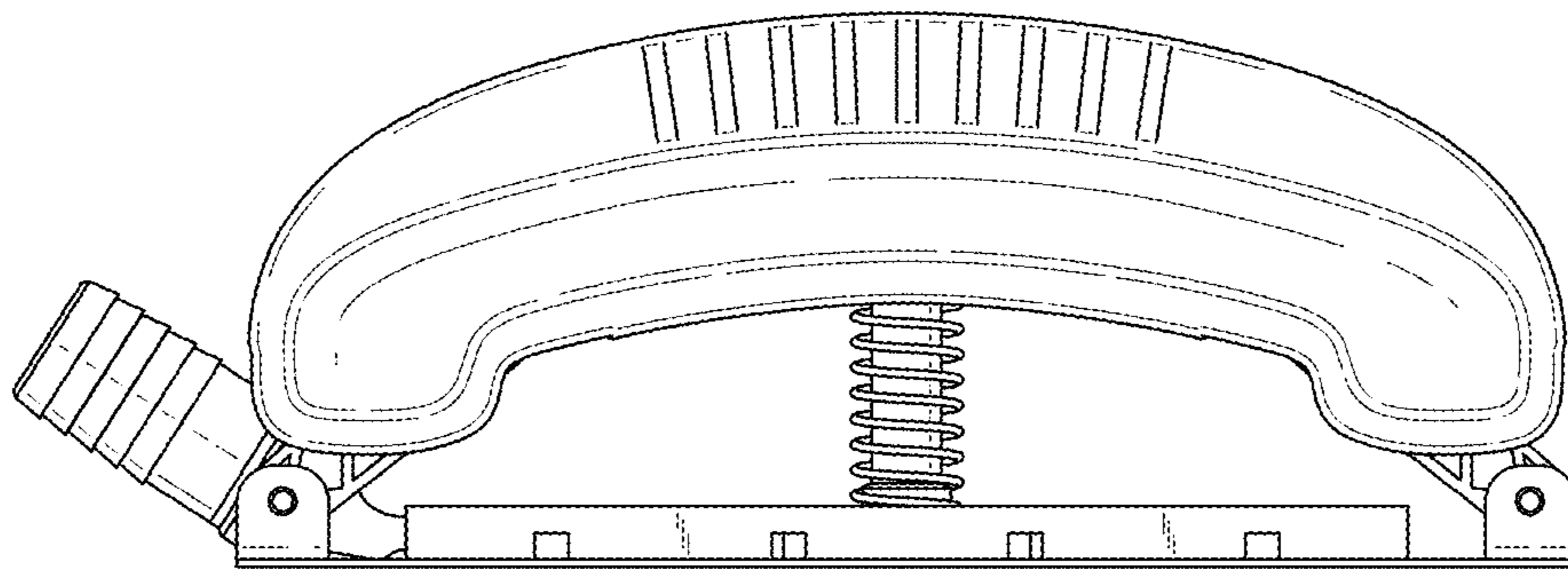


Fig. 2

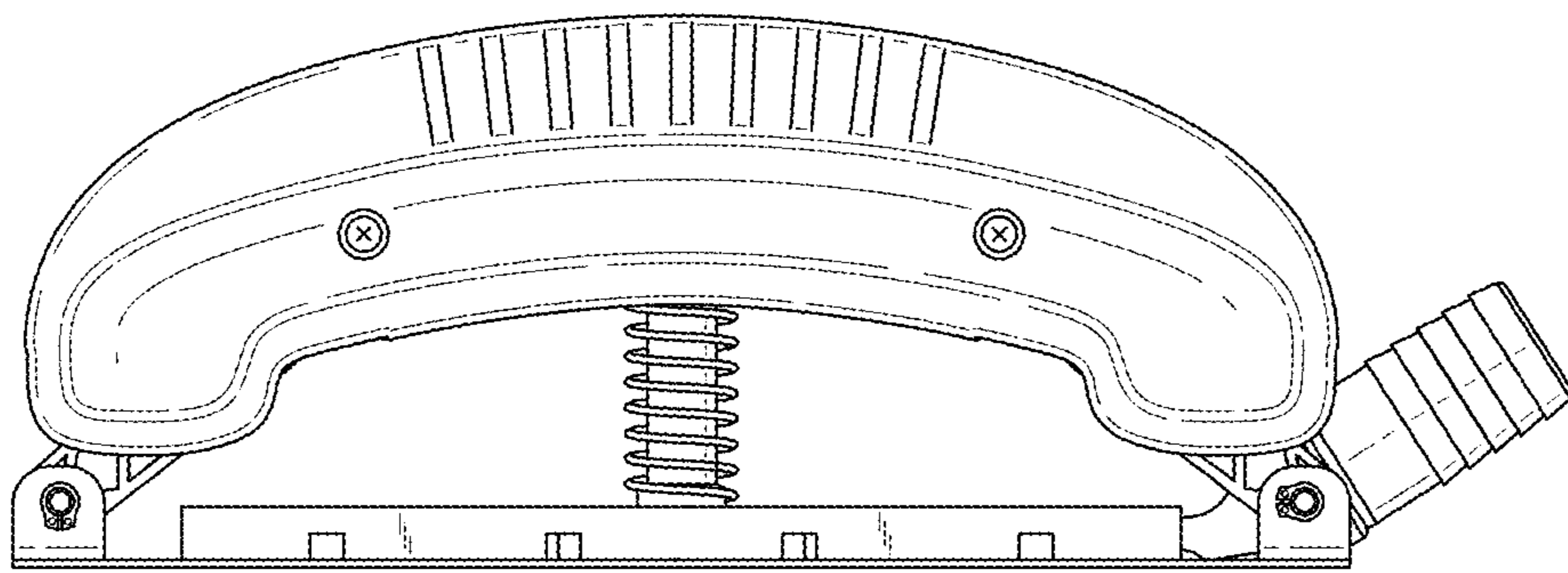


Fig. 3

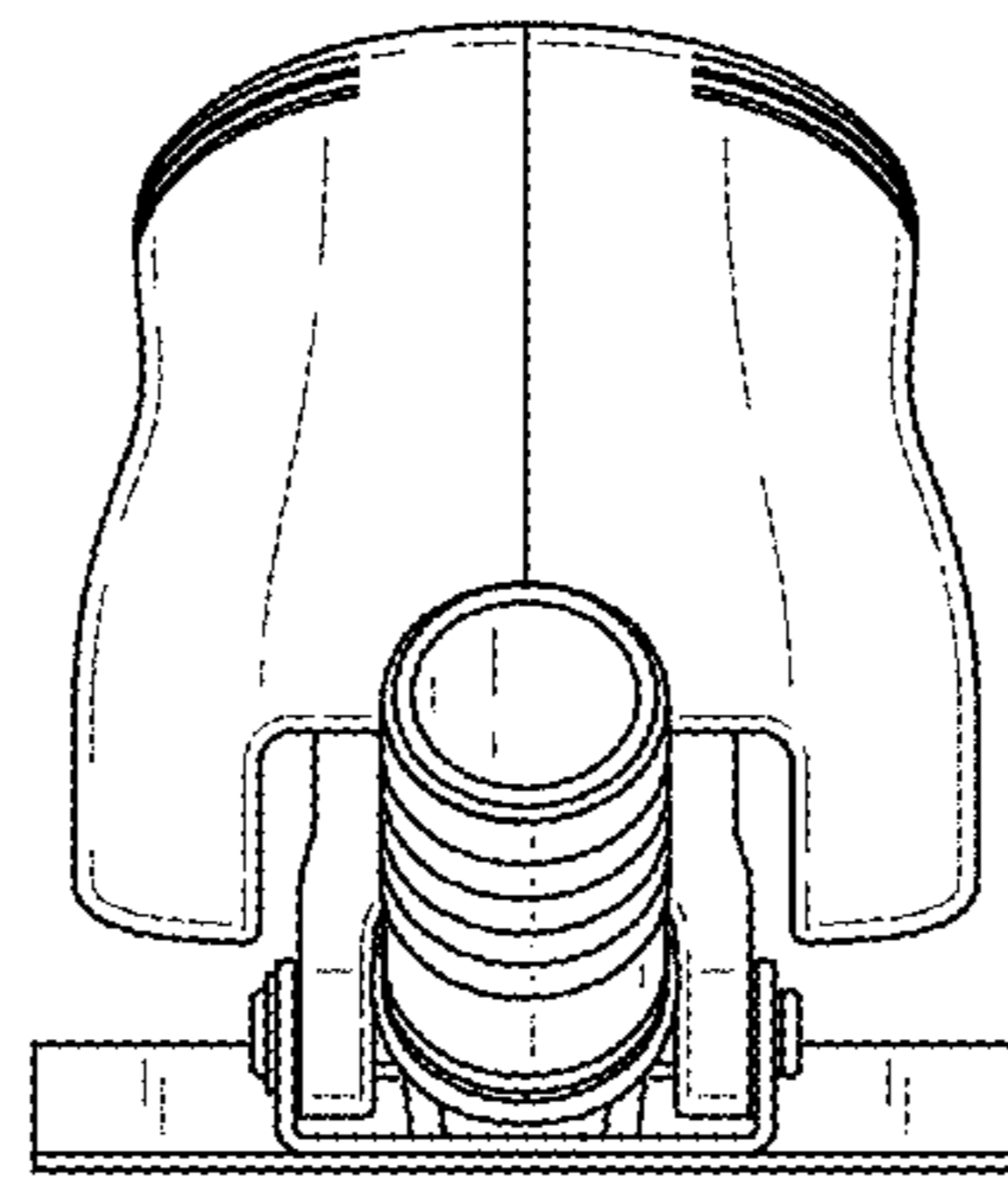


Fig. 4

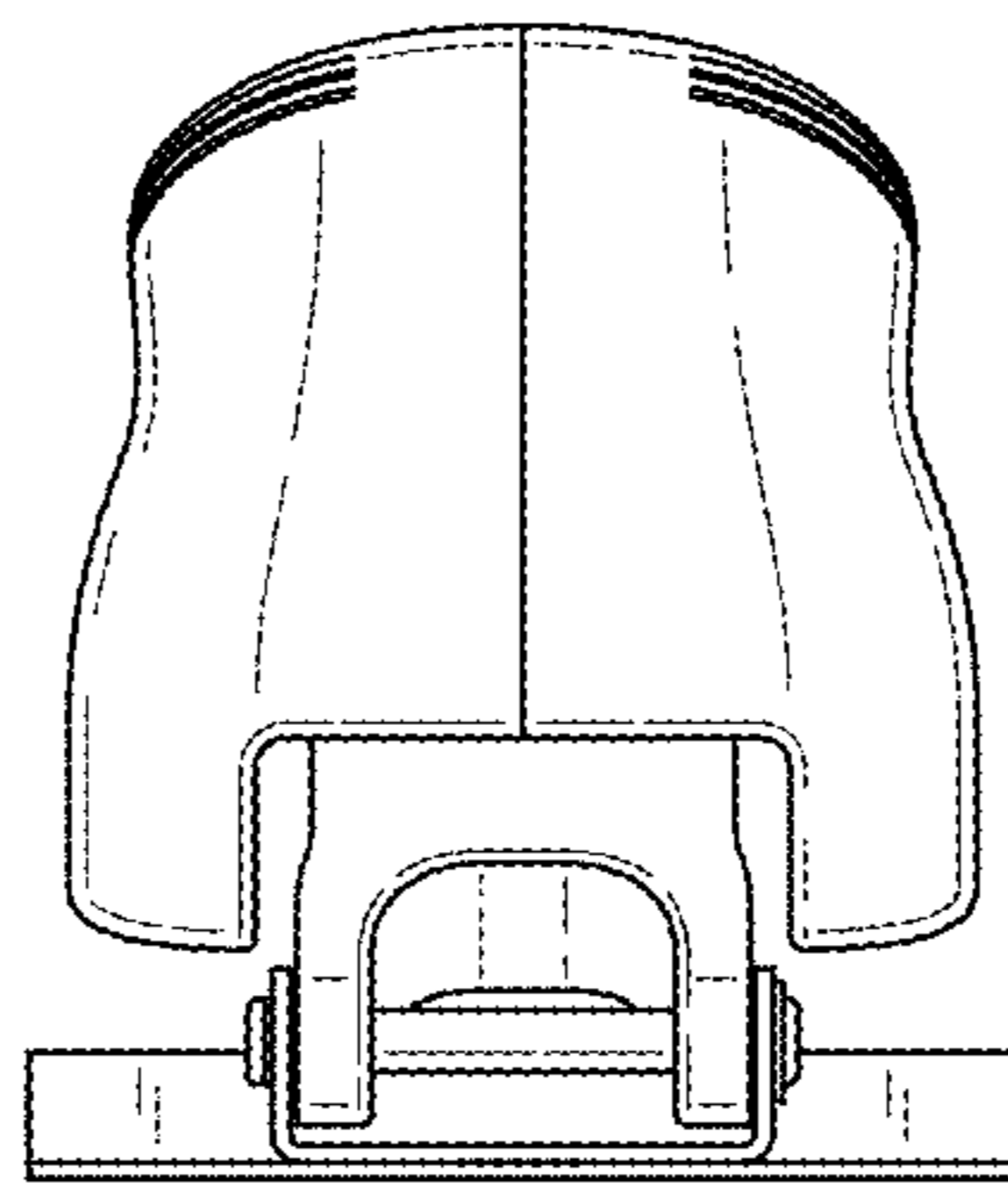


Fig. 5

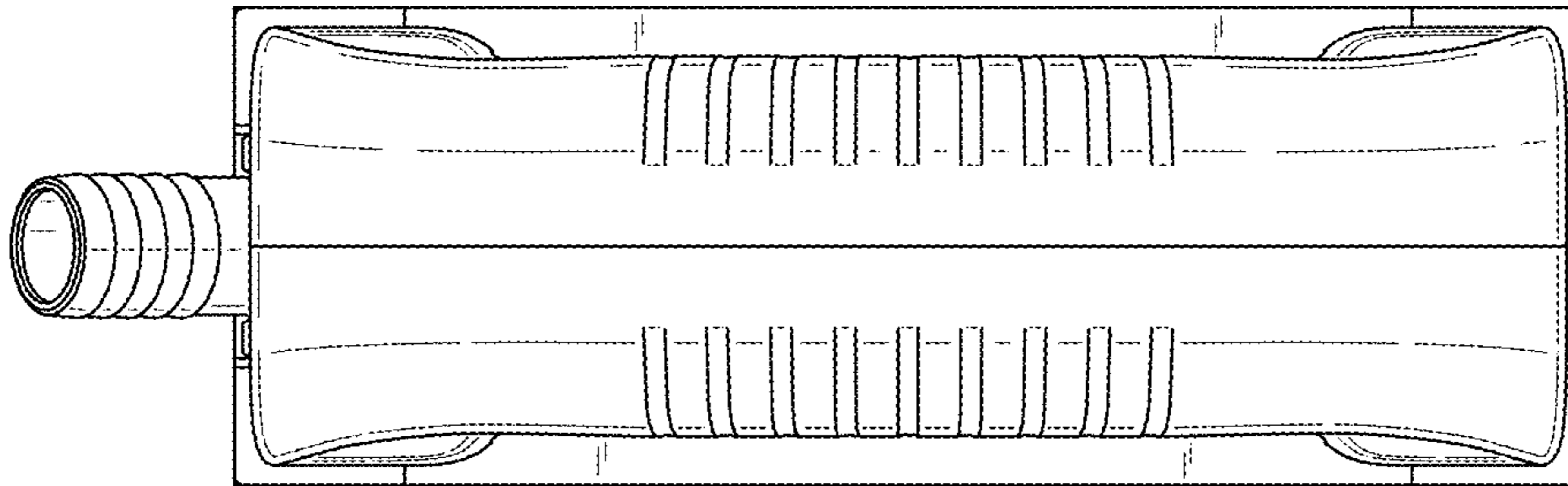


Fig. 6

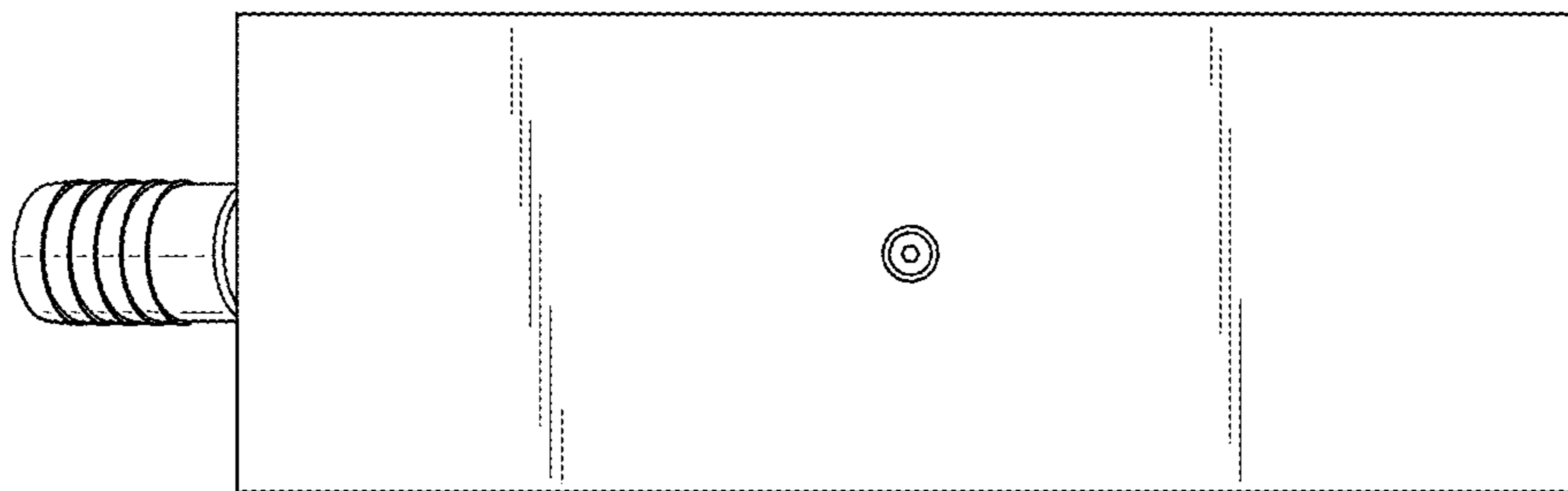


Fig. 7