



US00D787291S

(12) **United States Design Patent**
Lehovetzki et al.

(10) **Patent No.:** **US D787,291 S**

(45) **Date of Patent:** **** May 23, 2017**

- (54) **SANDING TOOL**
- (71) Applicant: **STANLEY MIDDLE EAST FZE,**
Jebel Ali OT (AE)
- (72) Inventors: **Axel Lehovetzki,** Les Lilas (FR);
Julian Bignon-Zillhardt, Viry
Chatillon (FR)
- (73) Assignee: **STANLEY MIDDLE EAST FZE,**
Dubai (AE)
- (**) Term: **15 Years**
- (21) Appl. No.: **29/551,929**
- (22) Filed: **Jan. 19, 2016**
- (30) **Foreign Application Priority Data**

| | | | | | |
|-----------|-----|---------|------------|-------|------------------------|
| 3,010,133 | A * | 11/1961 | Hurd | | E04F 21/06 15/235.4 |
| 3,224,149 | A * | 12/1965 | Harrington | | B24D 15/023 451/518 |
| D216,668 | S * | 3/1970 | Tims | | D8/45 |
| 3,813,830 | A * | 6/1974 | Hodge | | B24D 15/023 451/524 |
| 4,343,910 | A * | 8/1982 | Busch, Jr. | | A45D 29/12 132/73 |
| D310,012 | S * | 8/1990 | Henke | | D8/45 |
| 5,007,206 | A * | 4/1991 | Paterson | | B24D 15/023 451/344 |
| 5,245,797 | A * | 9/1993 | Milkie | | B24D 15/023 451/354 |
| D344,003 | S * | 2/1994 | Milkie | | D8/90 |
| 5,283,988 | A * | 2/1994 | Brown | | B24D 15/04 451/344 |
| 5,993,306 | A * | 11/1999 | McCoy | | B24D 15/04 451/523 |
| D426,134 | S * | 6/2000 | Pytlewski | | D8/107 |
| D453,672 | S * | 2/2002 | McCoy | | D8/45 |
| D474,389 | S * | 5/2003 | Panfili | | D8/45 |

(Continued)

Jul. 16, 2015 (EM) 002738278-0001

- (51) **LOC (10) Cl.** **08-05**
- (52) **U.S. Cl.**
USPC **D8/90**
- (58) **Field of Classification Search**
USPC D8/45, 90, 94, 107
CPC B29C 73/06; B29C 73/066; B29C 73/08;
B29L 2030/00
See application file for complete search history.

Primary Examiner — Philip S Hyder
Assistant Examiner — Roselynn Cody
(74) *Attorney, Agent, or Firm* — Caeden Drayton; Adan Ayala

(57) **CLAIM**

The ornamental design for a sanding tool, as shown and described.

DESCRIPTION

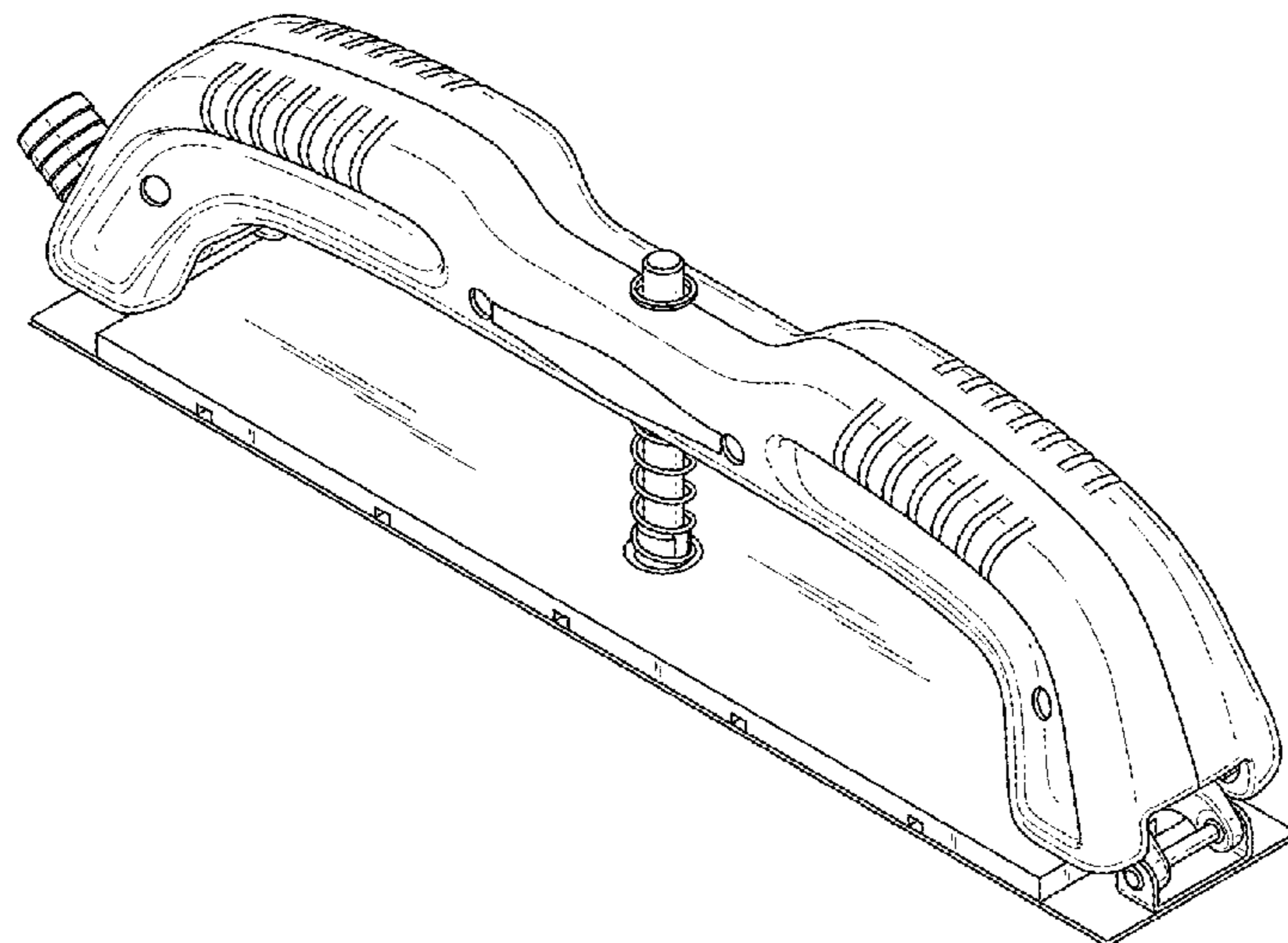
FIG. 1 is a perspective view of a sanding tool showing a new design;
FIG. 2 is a front view thereof;
FIG. 3 is a rear view thereof;
FIG. 4 is a right side view thereof;
FIG. 5 is a left side view thereof;
FIG. 6 is a top view thereof; and,
FIG. 7 is a bottom view thereof.

(56) **References Cited**

U.S. PATENT DOCUMENTS

| | | | | | |
|-----------|-----|--------|---------|-------|------------------------|
| 1,509,807 | A * | 9/1924 | Gray | | E04F 21/06 15/235.4 |
| 1,544,368 | A * | 6/1925 | Brennan | | E04F 21/06 15/235.4 |
| 1,761,109 | A * | 6/1930 | Dietz | | E04F 21/06 15/235.4 |
| 2,329,767 | A * | 9/1943 | Jakeway | | A47B 95/02 16/415 |

1 Claim, 7 Drawing Sheets



(56)

References Cited

U.S. PATENT DOCUMENTS

6,719,620 B1 * 4/2004 Panfli B24D 15/023
451/515
D504,601 S * 5/2005 Jimenez D8/45
7,033,259 B1 * 4/2006 Seasholtz B24D 15/023
451/354
D525,508 S * 7/2006 Leonard, II D8/90
D531,876 S * 11/2006 Jimenez D8/107
7,186,174 B1 * 3/2007 Arnold B24D 15/023
451/507
D556,534 S * 12/2007 Henke D8/90
D582,750 S * 12/2008 Heidrich D8/316
D668,124 S * 10/2012 Lewis D8/45
D720,592 S * 1/2015 Arvinte D8/90
2006/0154582 A1 * 7/2006 Hope B24D 15/04
451/533
2009/0124177 A1 * 5/2009 Berryhill B24D 15/02
451/59
2009/0186566 A1 * 7/2009 Lamers B24D 15/04
451/458
2016/0361797 A1 * 12/2016 Speare B24D 15/04

* cited by examiner

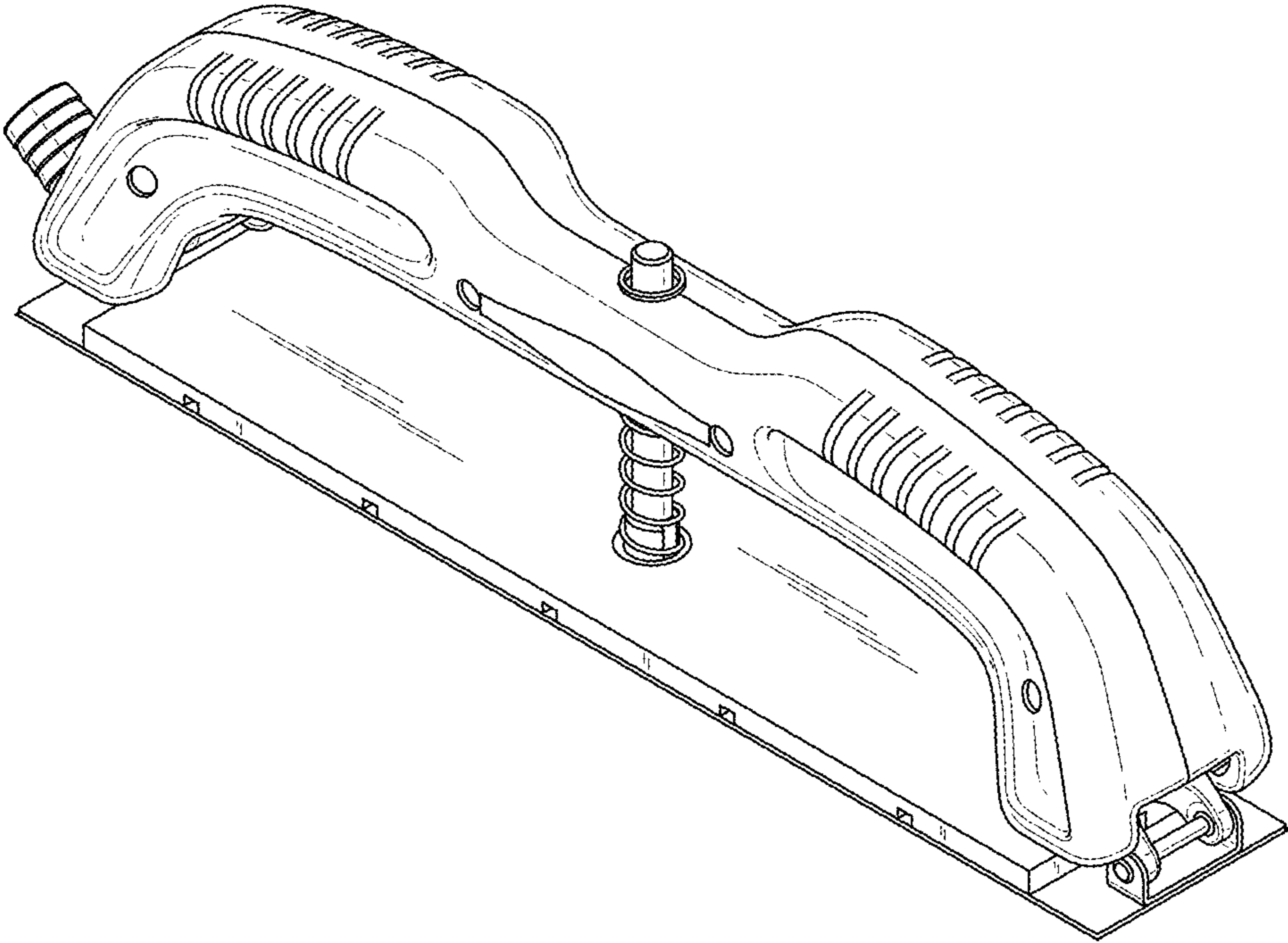


Fig. 1

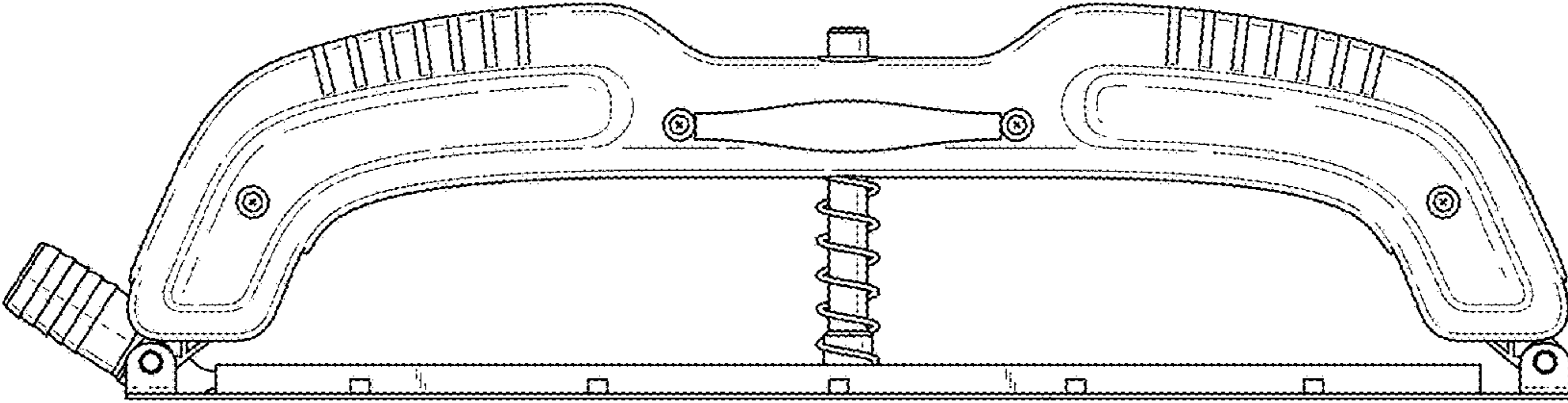


Fig. 2

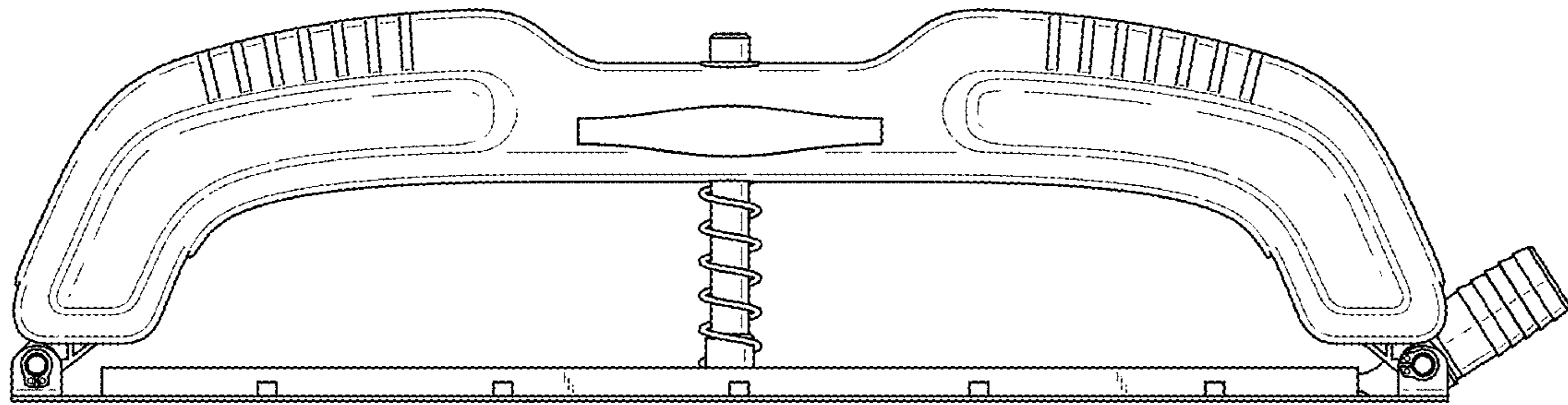


Fig. 3

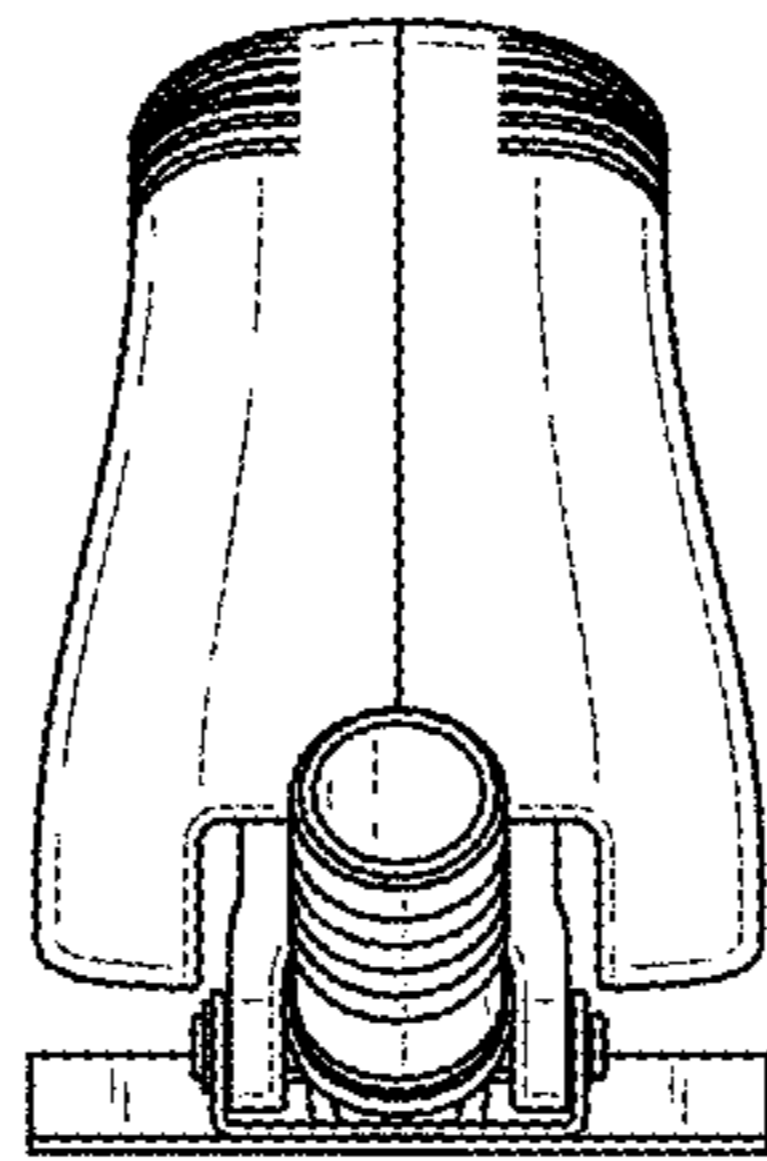


Fig. 4

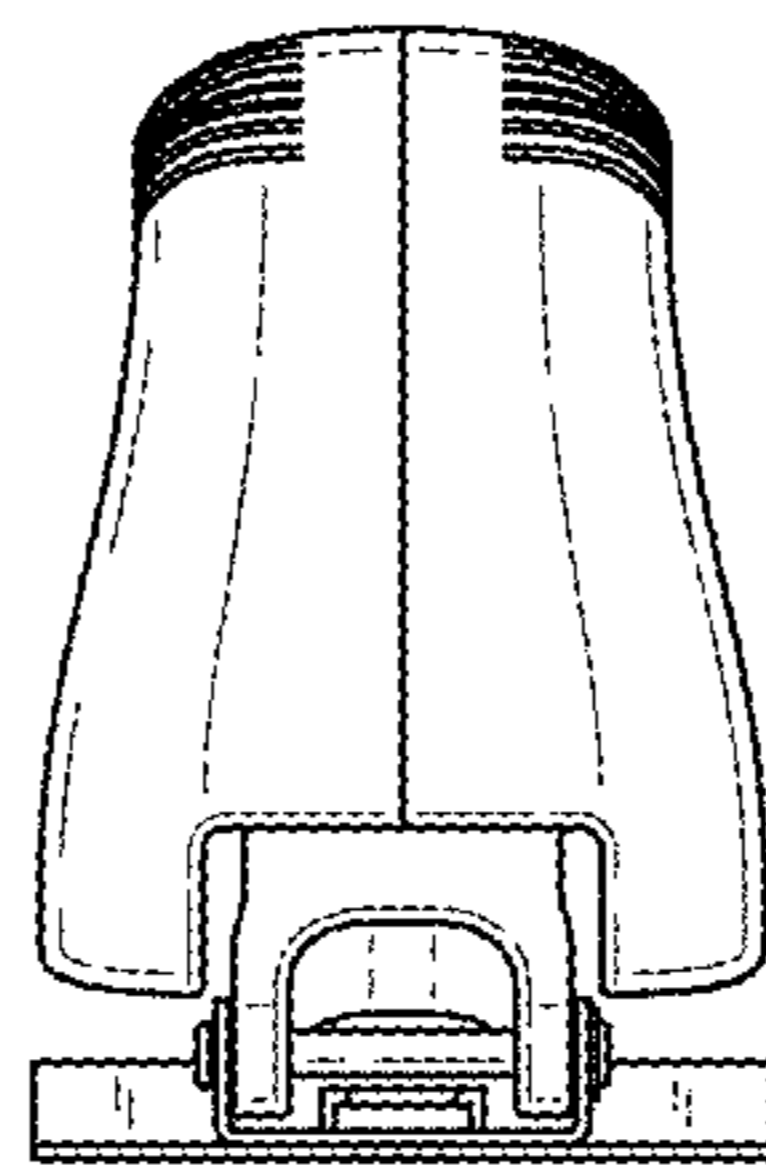


Fig. 5

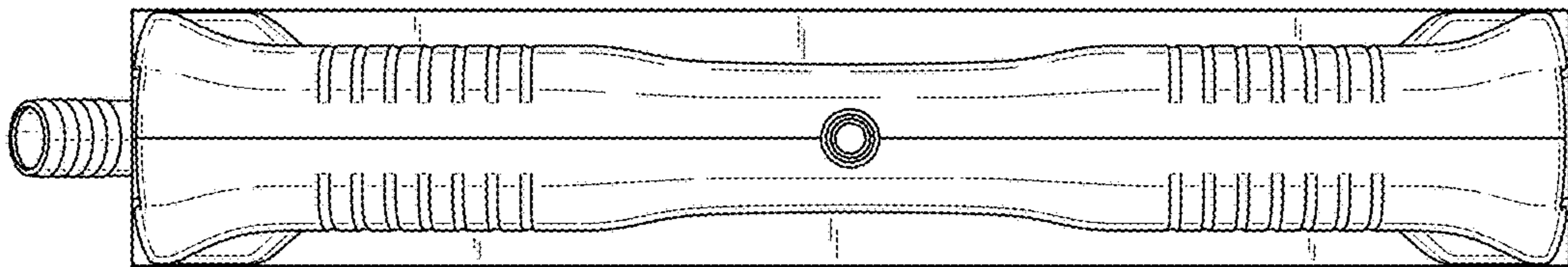


Fig. 6

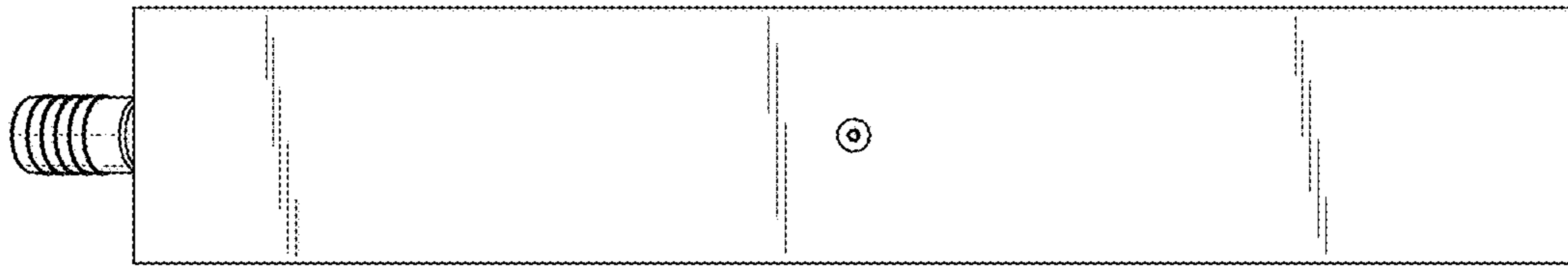


Fig. 7