



US00D787285S

(12) **United States Design Patent**  
**Schoch**

(10) **Patent No.:** **US D787,285 S**

(45) **Date of Patent:** **\*\* May 23, 2017**

(54) **STRING TRIMMER**

(71) Applicant: **BLACK & DECKER INC.**, Newark,  
DE (US)

(72) Inventor: **Robert B. Schoch**, Baltimore, MD  
(US)

(73) Assignee: **BLACK & DECKER INC.**, New  
Britain, CT (US)

(\*\*) Term: **14 Years**

(21) Appl. No.: **29/512,399**

(22) Filed: **Dec. 18, 2014**

(51) **LOC (10) Cl.** ..... **08-01**

(52) **U.S. Cl.**  
USPC ..... **D8/8**

(58) **Field of Classification Search**  
USPC ..... D8/1, 7, 8, 9, 499; D15/1, 17  
CPC .. A01D 34/01; A01D 34/416; A01D 34/4161;  
A01D 34/84; A01D 34/90; A01G 3/06;  
A01G 3/062; A01G 3/067; B25F 5/02;  
B27B 17/00; B27B 17/08; B27B 17/0008;  
Y10T 83/9324  
See application file for complete search history.

(56) **References Cited**

**U.S. PATENT DOCUMENTS**

D355,198 S \* 2/1995 Kikuchi ..... D15/1  
D355,818 S \* 2/1995 Nakadachi ..... D8/8  
D360,341 S \* 7/1995 Hirooka ..... D8/8  
D474,947 S \* 5/2003 Holmdahl ..... D8/8  
D482,942 S \* 12/2003 Ohi ..... D8/8

D600,516 S \* 9/2009 Tinius ..... D8/8  
D600,517 S \* 9/2009 Tinius ..... D8/8  
D605,910 S \* 12/2009 Tinius ..... D8/8  
D624,372 S \* 9/2010 Misaki ..... D8/8  
D625,159 S \* 10/2010 Tinius ..... D8/8  
D625,160 S \* 10/2010 Misaki ..... D8/8  
D709,743 S \* 7/2014 Tinius ..... D8/8  
D712,214 S \* 9/2014 Tajik ..... D8/8  
D712,215 S \* 9/2014 Tajik ..... D8/8  
2004/0060274 A1 \* 4/2004 Thomas ..... A01D 34/90  
56/12.7  
2012/0227270 A1 \* 9/2012 Ito ..... A01D 34/4167  
30/286  
2016/0336557 A1 \* 11/2016 Miller ..... A01D 34/416

\* cited by examiner

*Primary Examiner* — Sandra Snapp

*Assistant Examiner* — Ieisha Price

(74) *Attorney, Agent, or Firm* — John Yun

(57) **CLAIM**

The ornamental design for a string trimmer, as shown and described.

**DESCRIPTION**

FIG. 1 is a perspective view of a string trimmer showing our new design;

FIG. 2 is a front view thereof

FIG. 3 is a rear view thereof;

FIG. 4 is a left side view thereof;

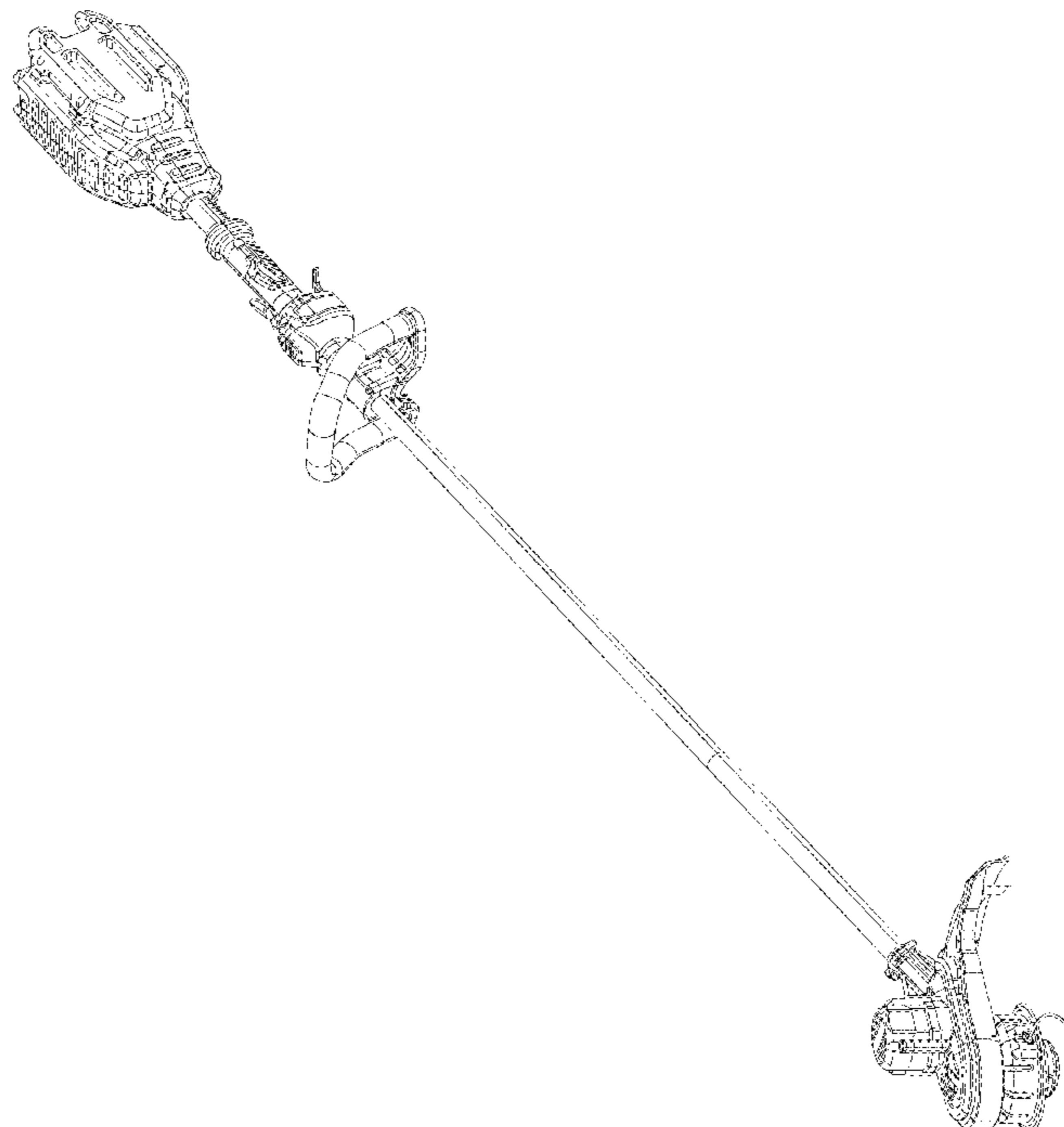
FIG. 5 is a right side view thereof;

FIG. 6 is a top plan view thereof; and,

FIG. 7 is a bottom plan view thereof.

The broken lines in the drawings illustrate portions of the string trimmer and form no part of the claimed design.

**1 Claim, 7 Drawing Sheets**



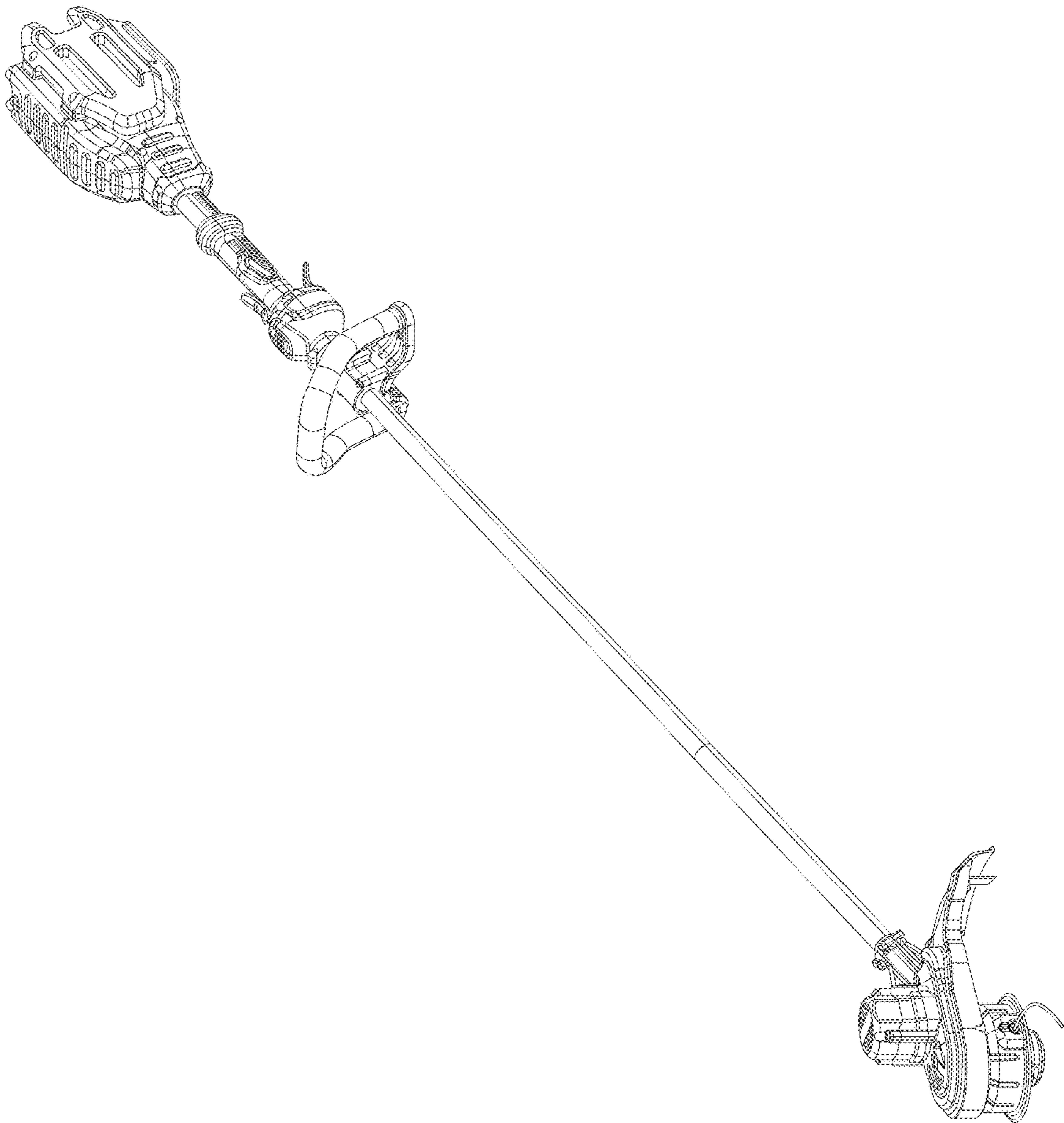


FIG. 1

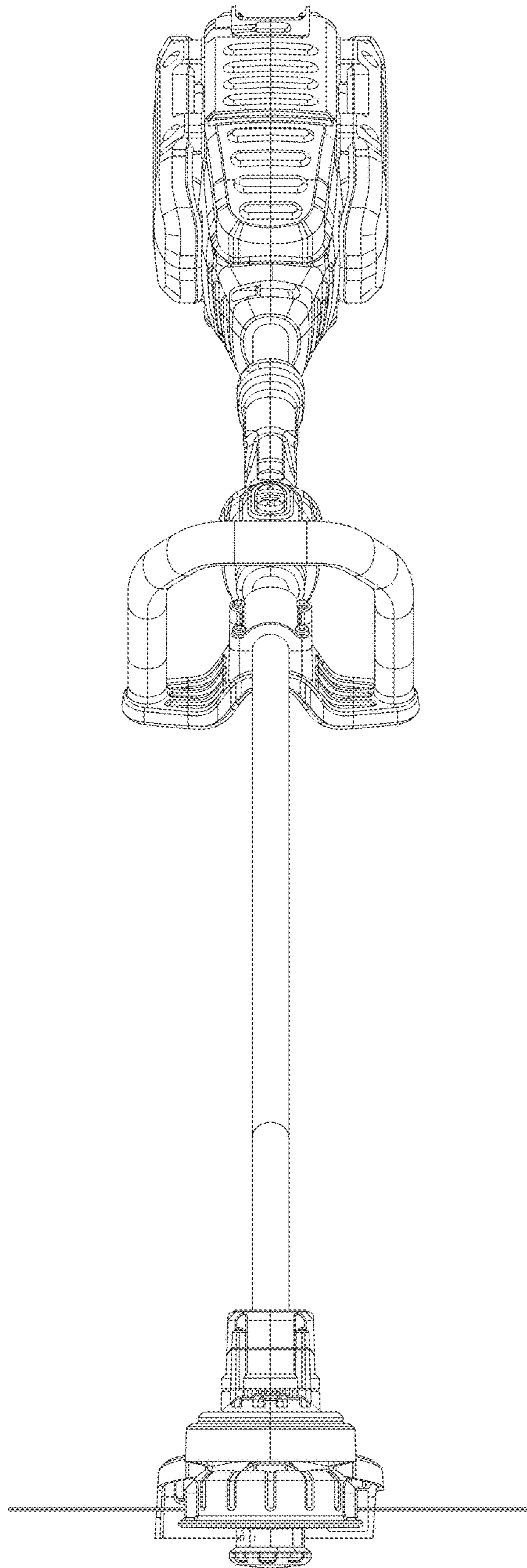


FIG. 2

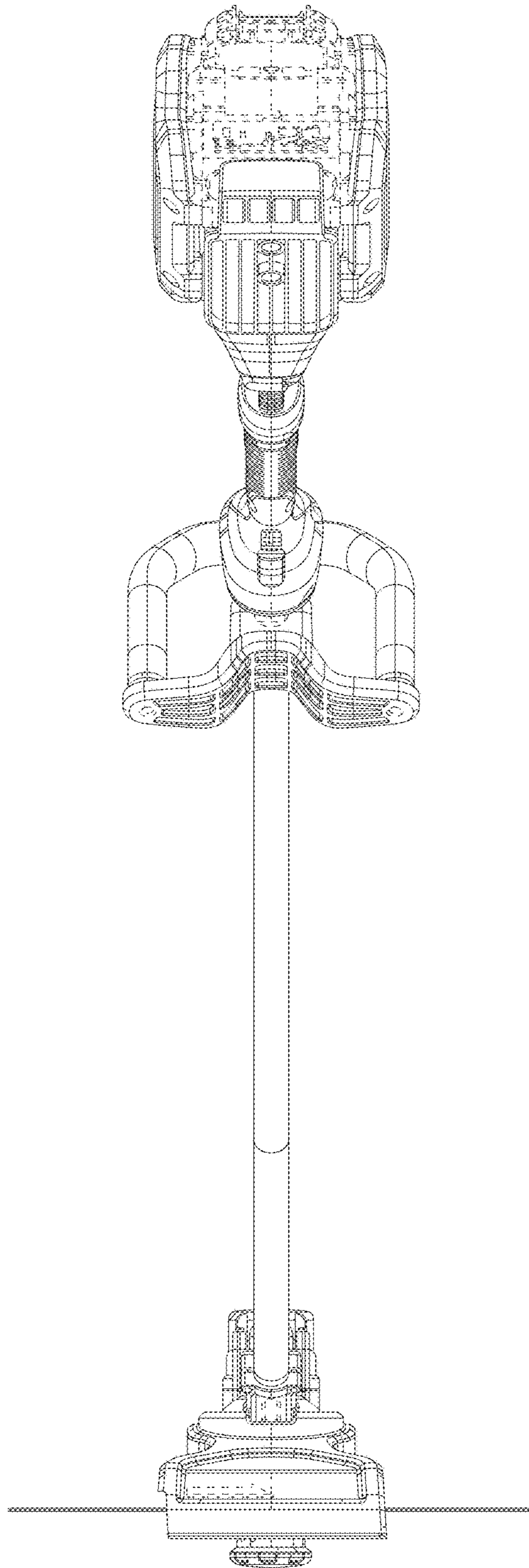


FIG. 3



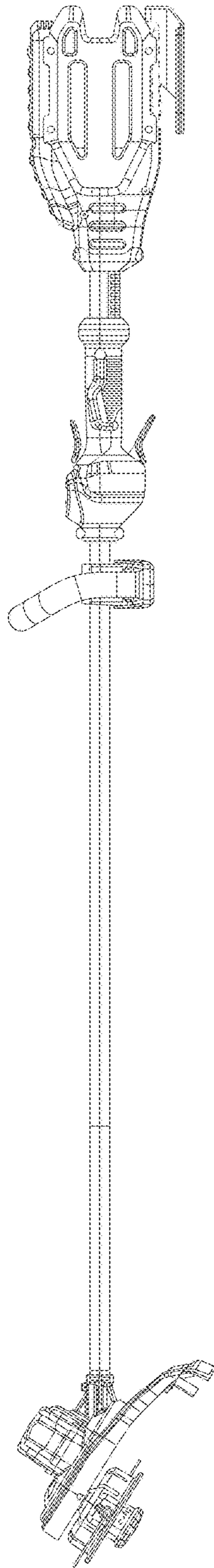


FIG. 4

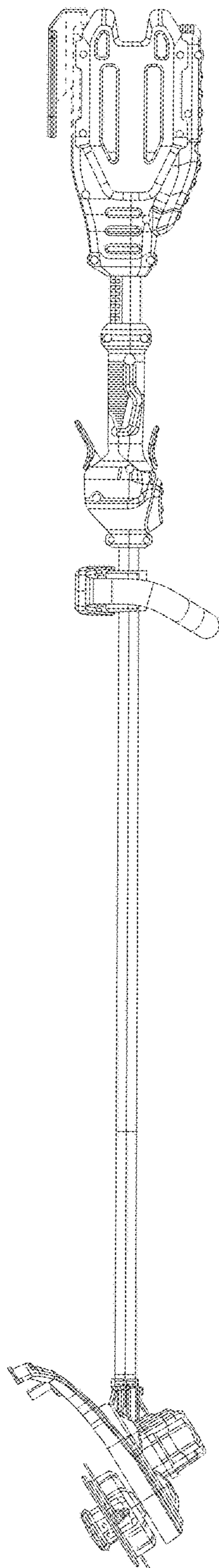


FIG. 5

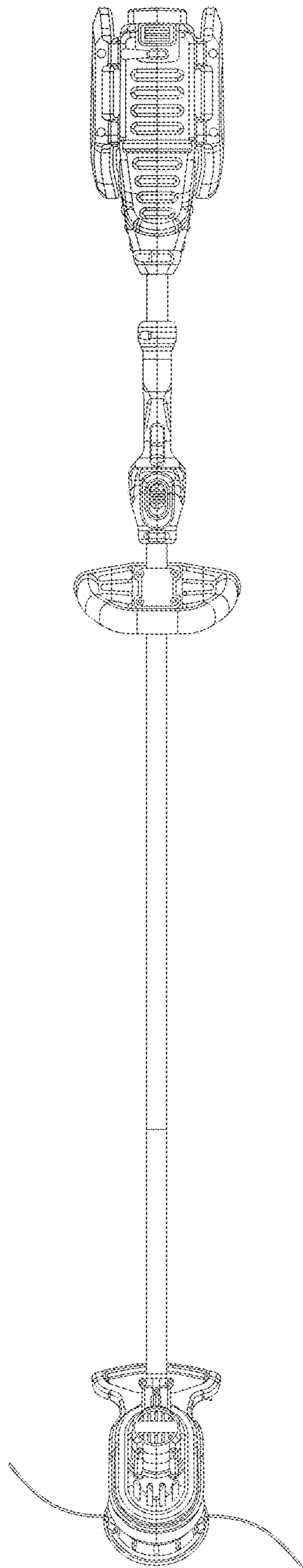


FIG. 6

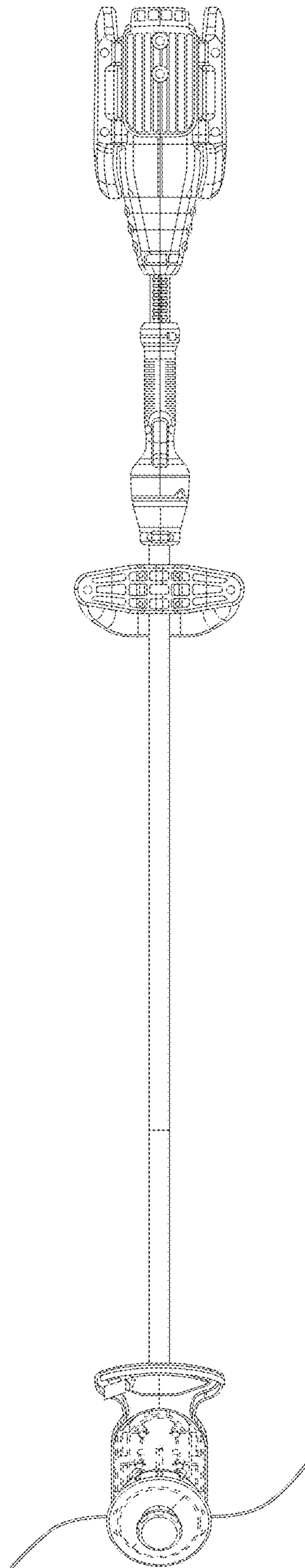


FIG. 7