



US00D787282S

(12) **United States Design Patent**
Wheeler

(10) **Patent No.:** **US D787,282 S**

(45) **Date of Patent:** **** May 23, 2017**

(54) **MEAT TRIMMER**

D720,191 S * 12/2014 Bhasin D7/695
D721,252 S * 1/2015 Harris D7/693

(71) Applicant: **Robert Wheeler**, Lahaina, HI (US)

* cited by examiner

(72) Inventor: **Robert Wheeler**, Lahaina, HI (US)

Primary Examiner — Terry Wallace

(**) Term: **15 Years**

(57) **CLAIM**

(21) Appl. No.: **29/553,373**

The ornamental design for a meat trimmer, as shown and described.

(22) Filed: **Feb. 1, 2016**

DESCRIPTION

(51) **LOC (10) Cl.** **07-04**

(52) **U.S. Cl.**
USPC **D7/693**

(58) **Field of Classification Search**
USPC D7/680–696, 393, 395; D8/14, 33, 40,
D8/44, 47, 60, 70.1, 98, 105; D32/46, 48
CPC A01F 5/00; A22B 5/0064; A22B 5/205;
A22B 5/168

See application file for complete search history.

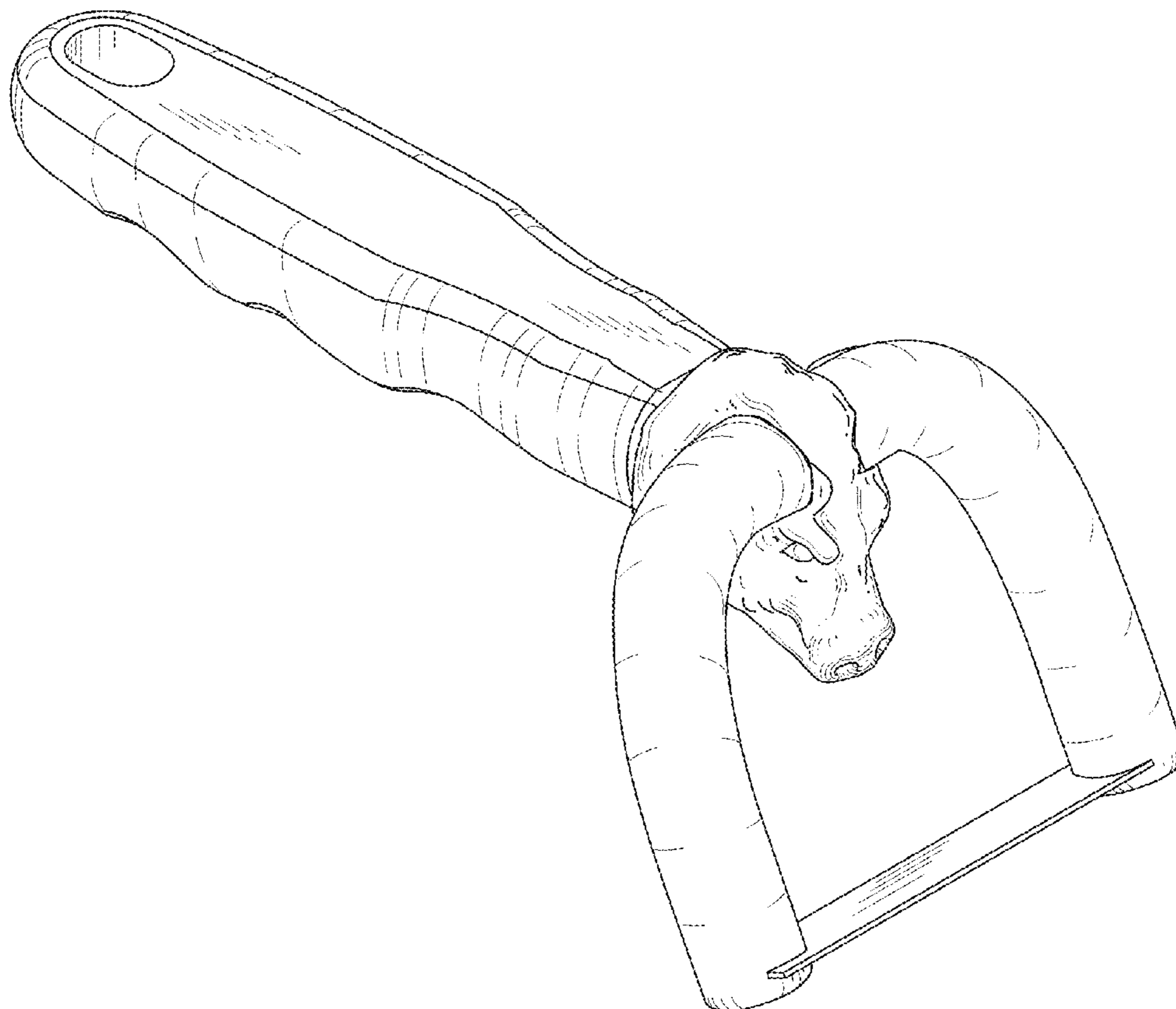
FIG. 1 is a front-left side perspective view of a meat trimmer showing my new design;
FIG. 2 is a bottom-right side perspective view thereof;
FIG. 3 is a rear-left side perspective view thereof;
FIG. 4 is a front elevational view thereof;
FIG. 5 is a rear elevational view thereof;
FIG. 6 is a left side elevational view thereof;
FIG. 7 is a right side elevational view thereof;
FIG. 8 is a bottom plan view thereof;
FIG. 9 is a top plan view thereof;
FIG. 10 is a front elevational view thereof, showing the plane upon which a cross-sectional view is taken and shown in FIG. 11; and,
FIG. 11 is a cross-section view thereof taken along line 11-11 of FIG. 10.

(56) **References Cited**

U.S. PATENT DOCUMENTS

D453,450 S * 2/2002 Drummond D7/693
D500,644 S * 1/2005 Cavanaugh D32/49
D528,379 S * 9/2006 Dorion D7/693
7,827,696 B2 * 11/2010 Settele A01F 5/00
30/121.5

1 Claim, 11 Drawing Sheets



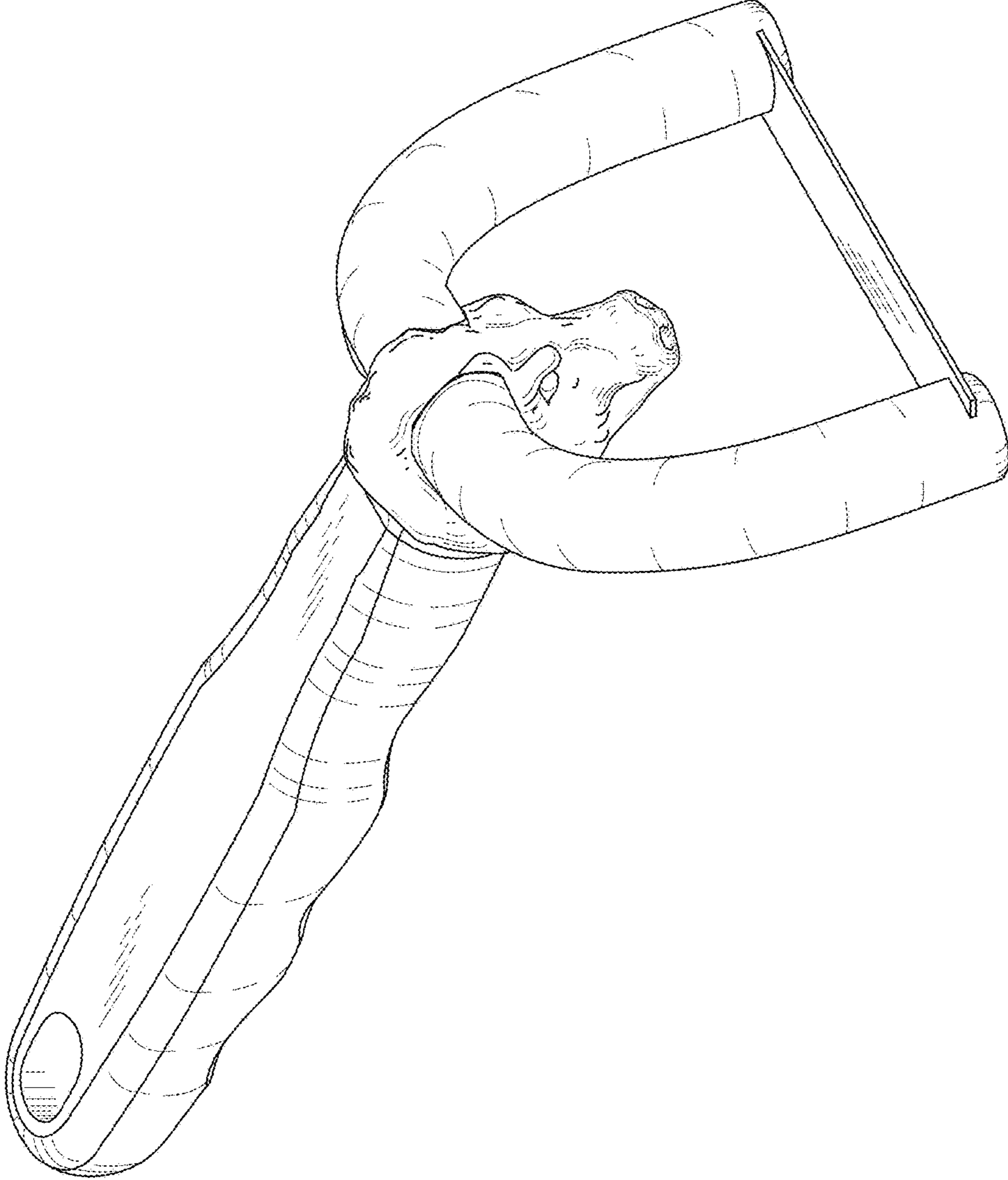


FIG. 1

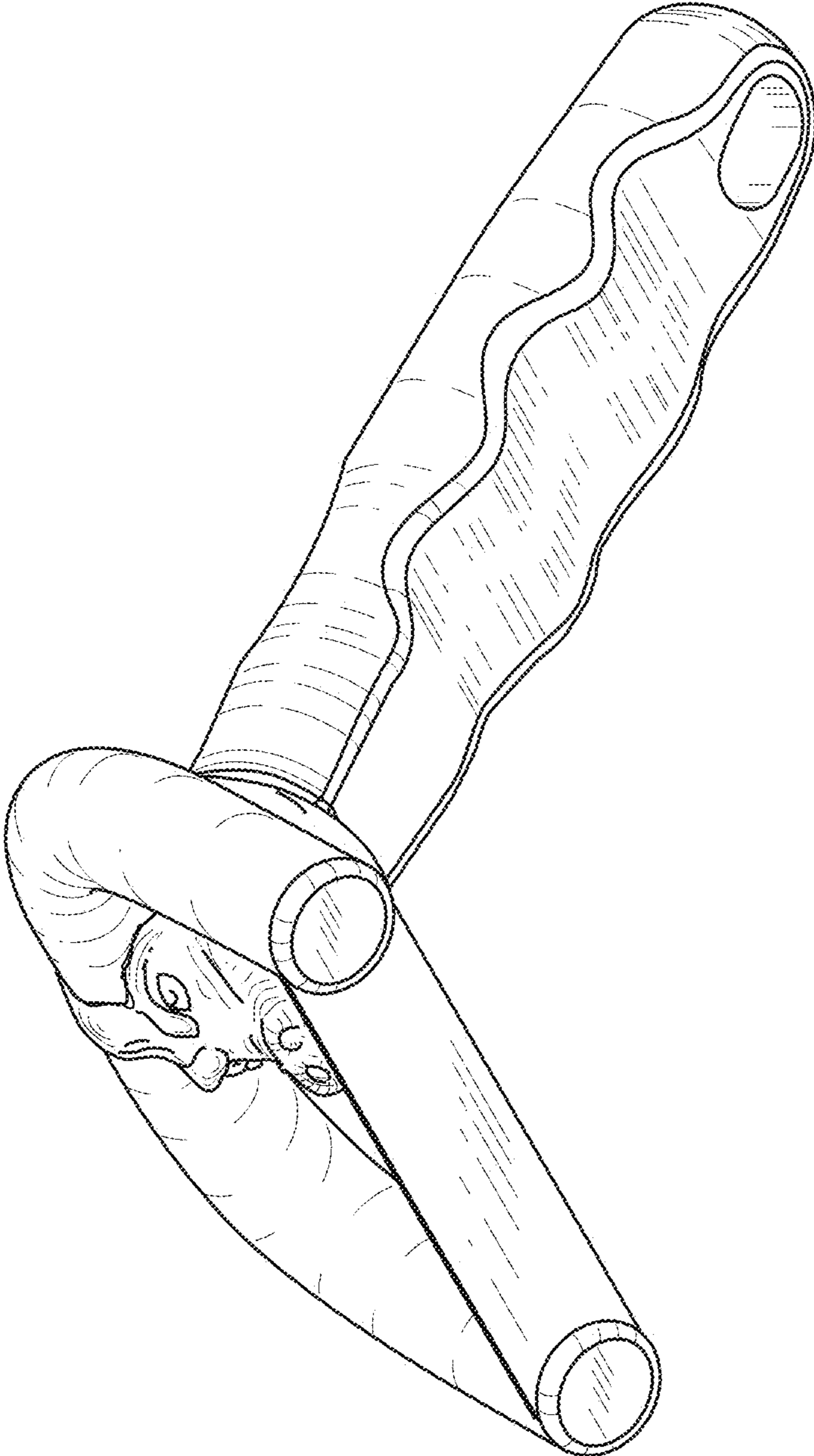


FIG. 2

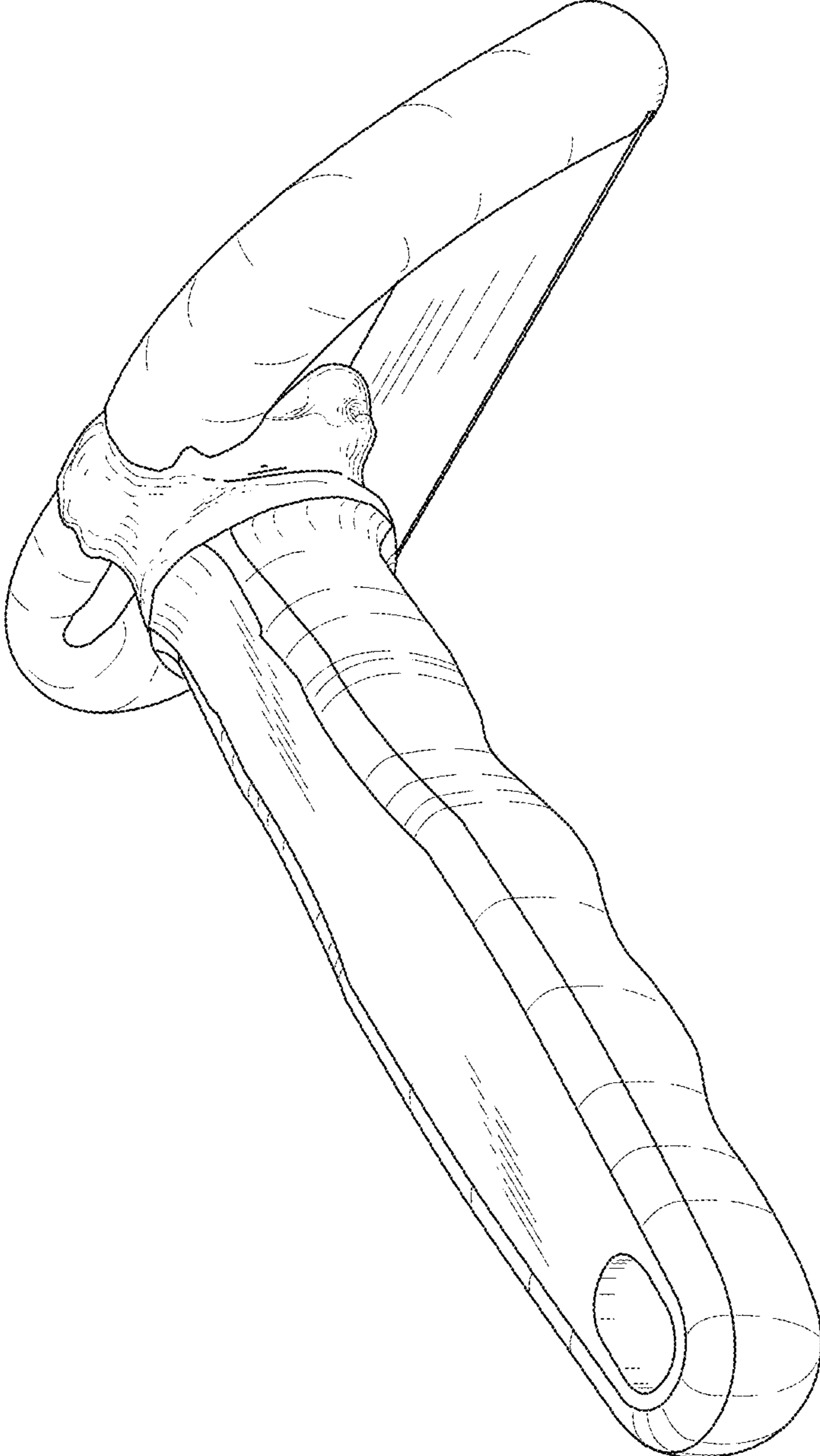


FIG. 3

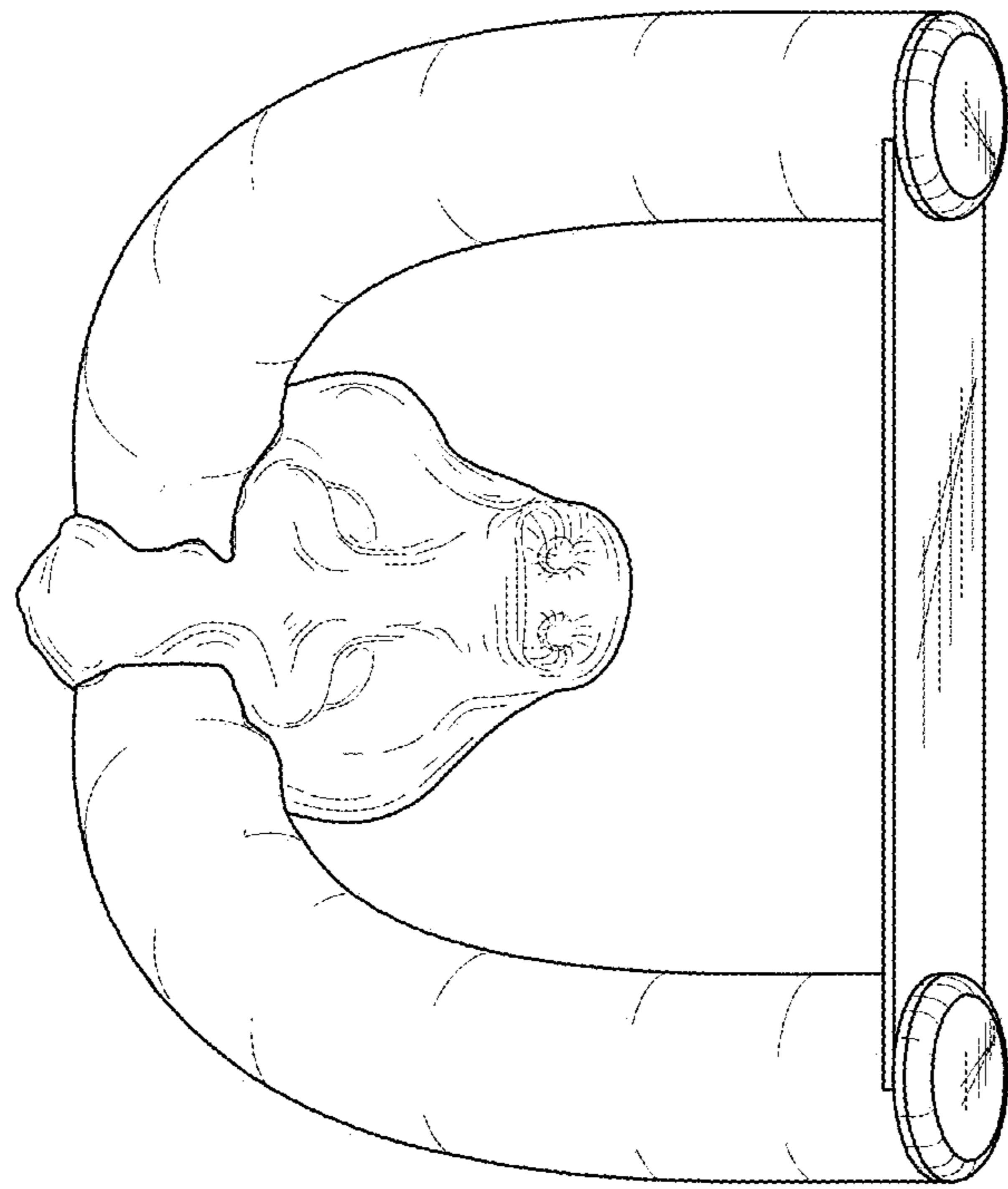


FIG. 4

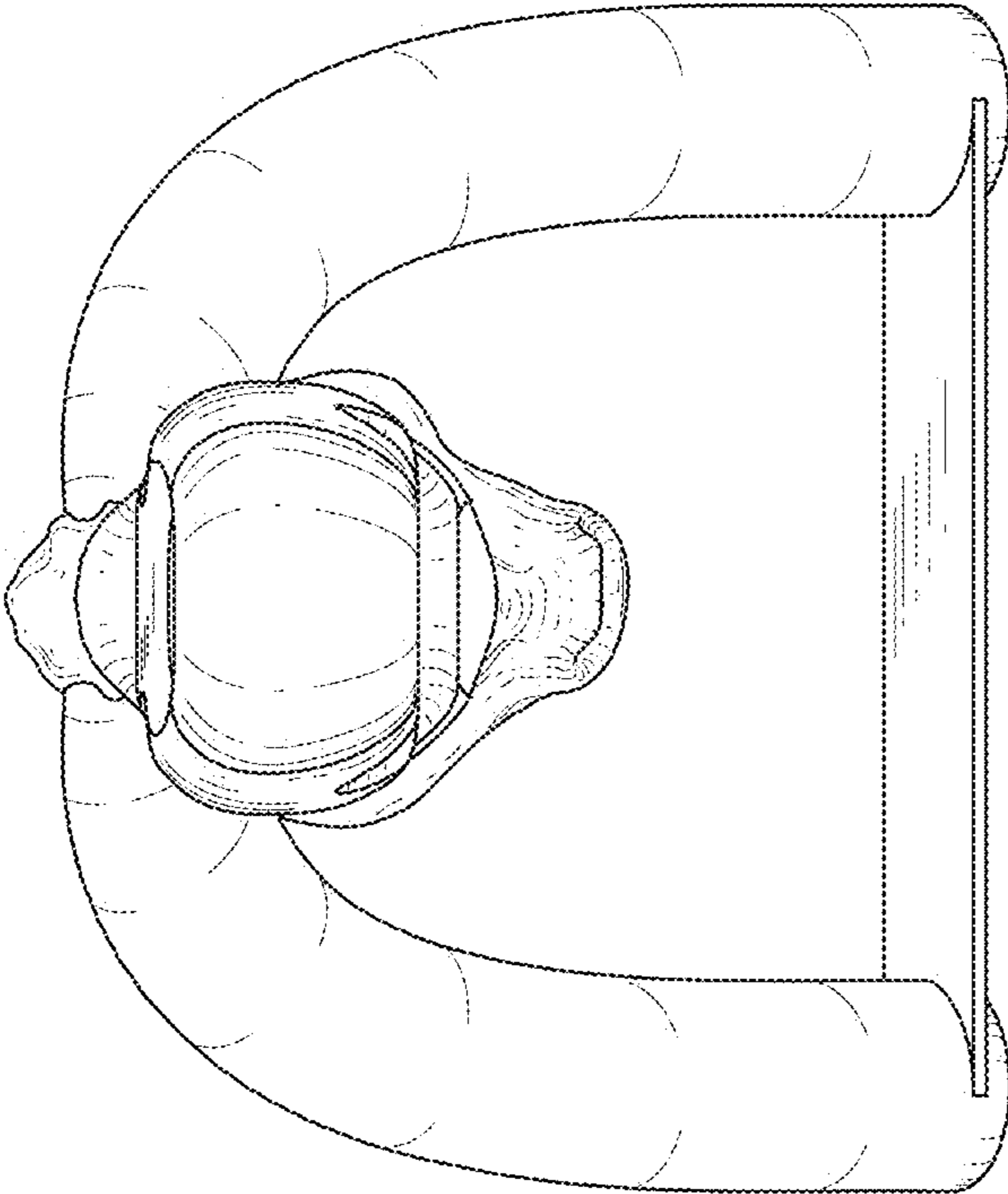


FIG. 5

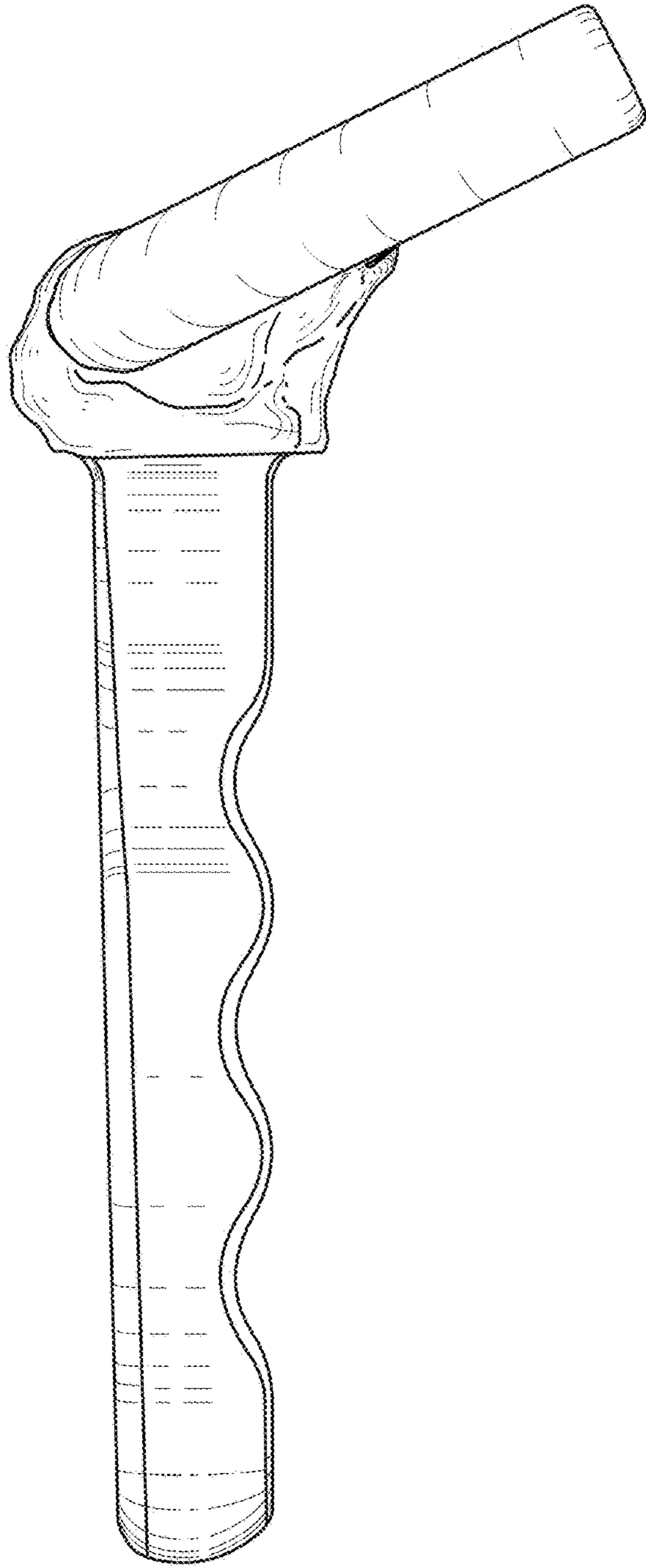


FIG. 6

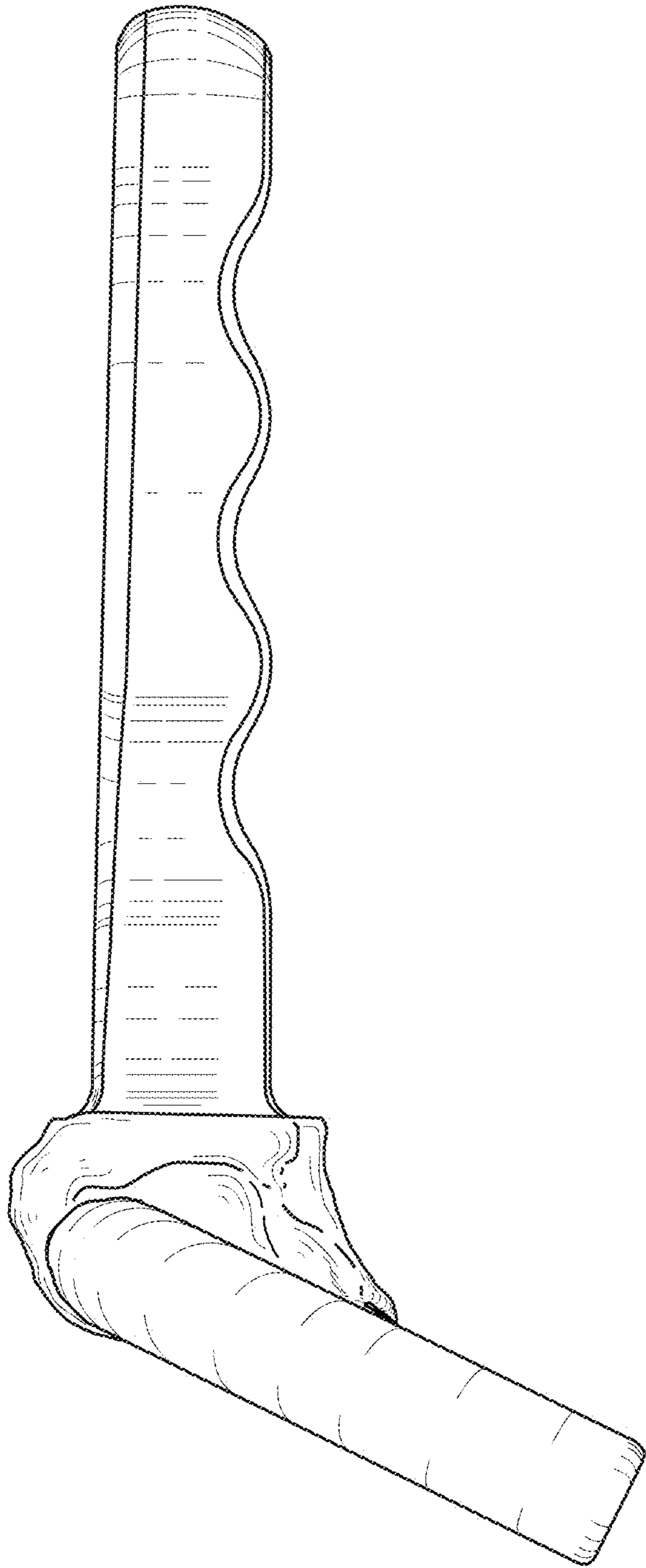


FIG. 7

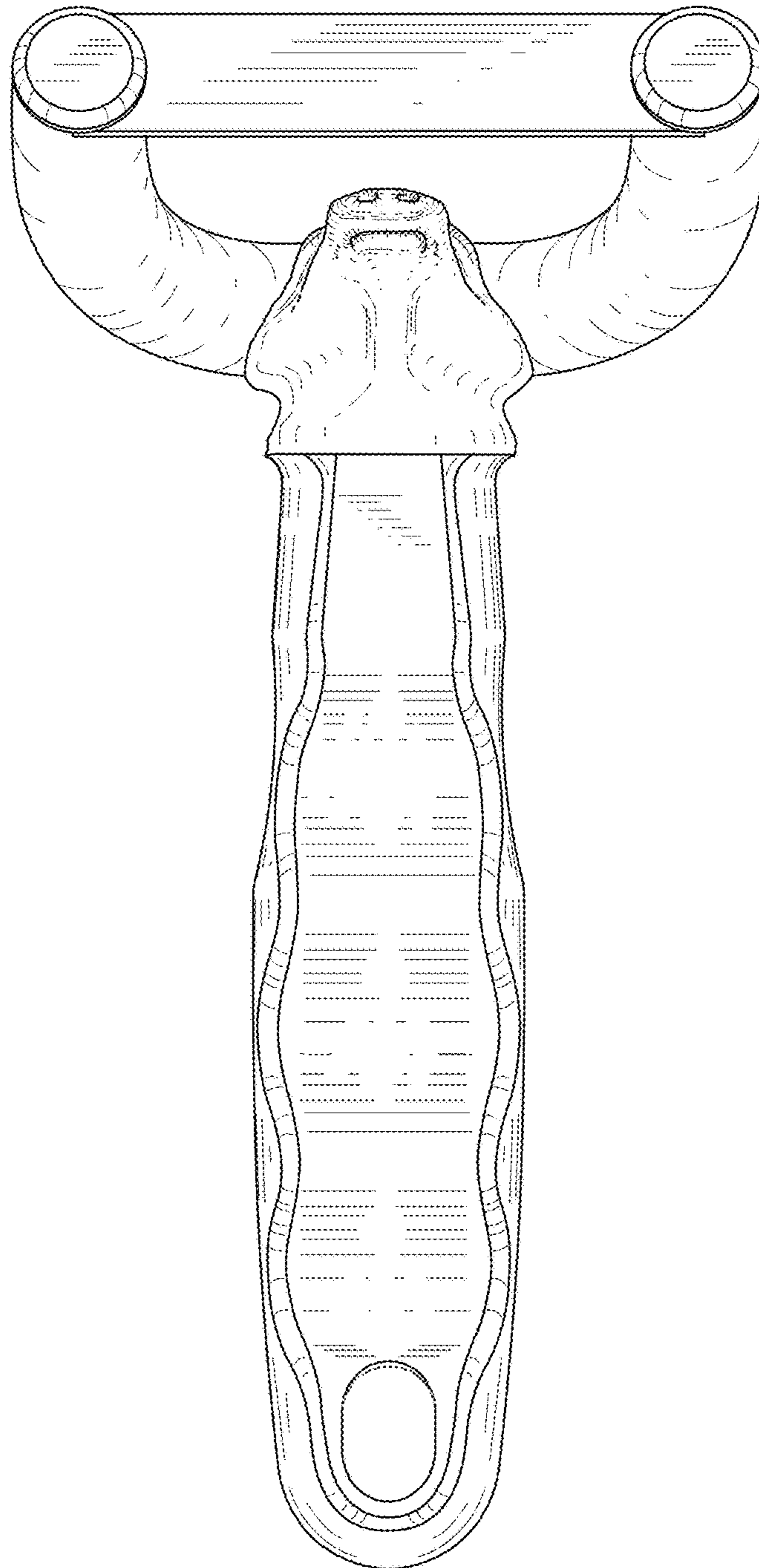


FIG. 8

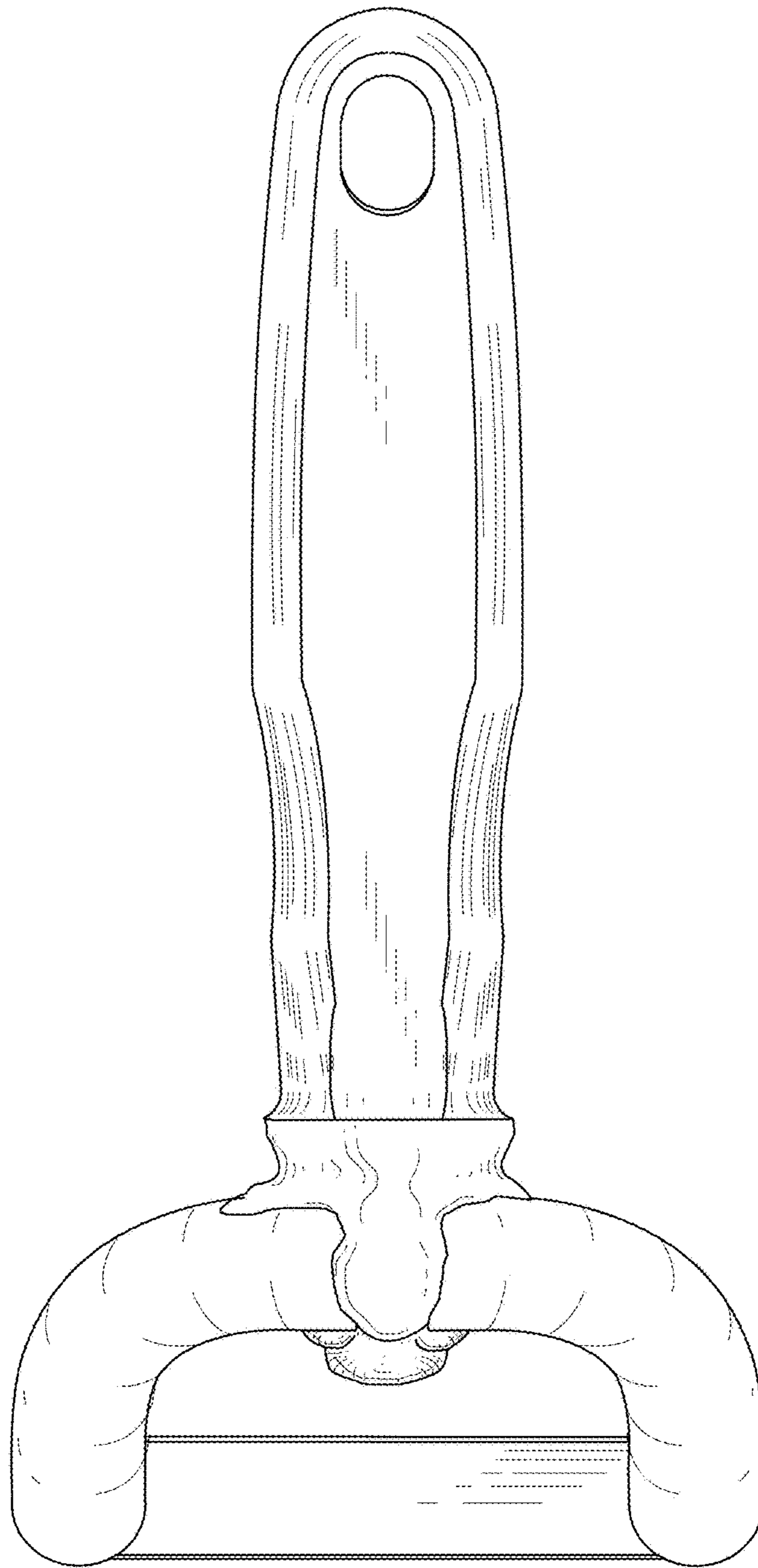


FIG. 9

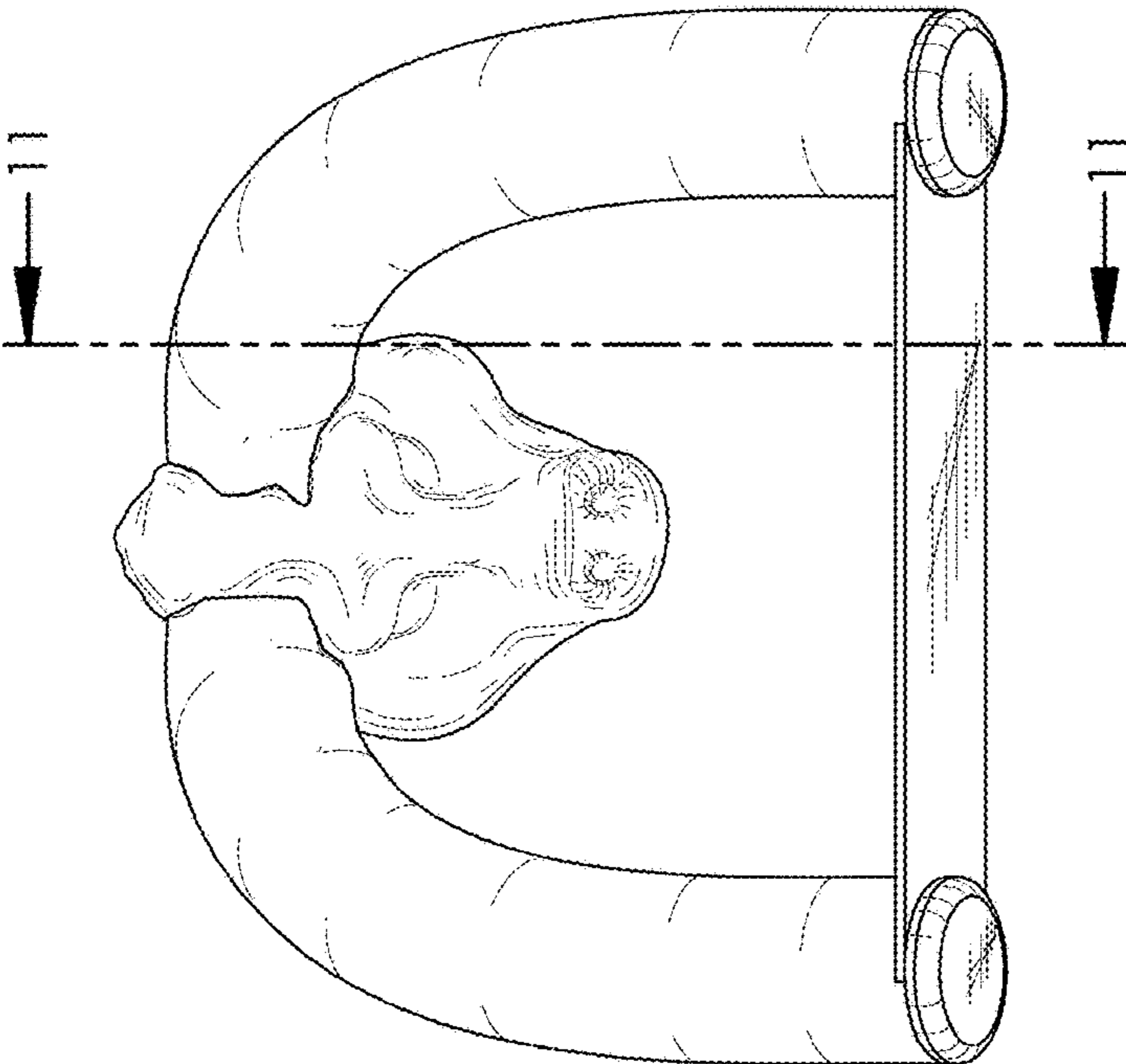


FIG. 10

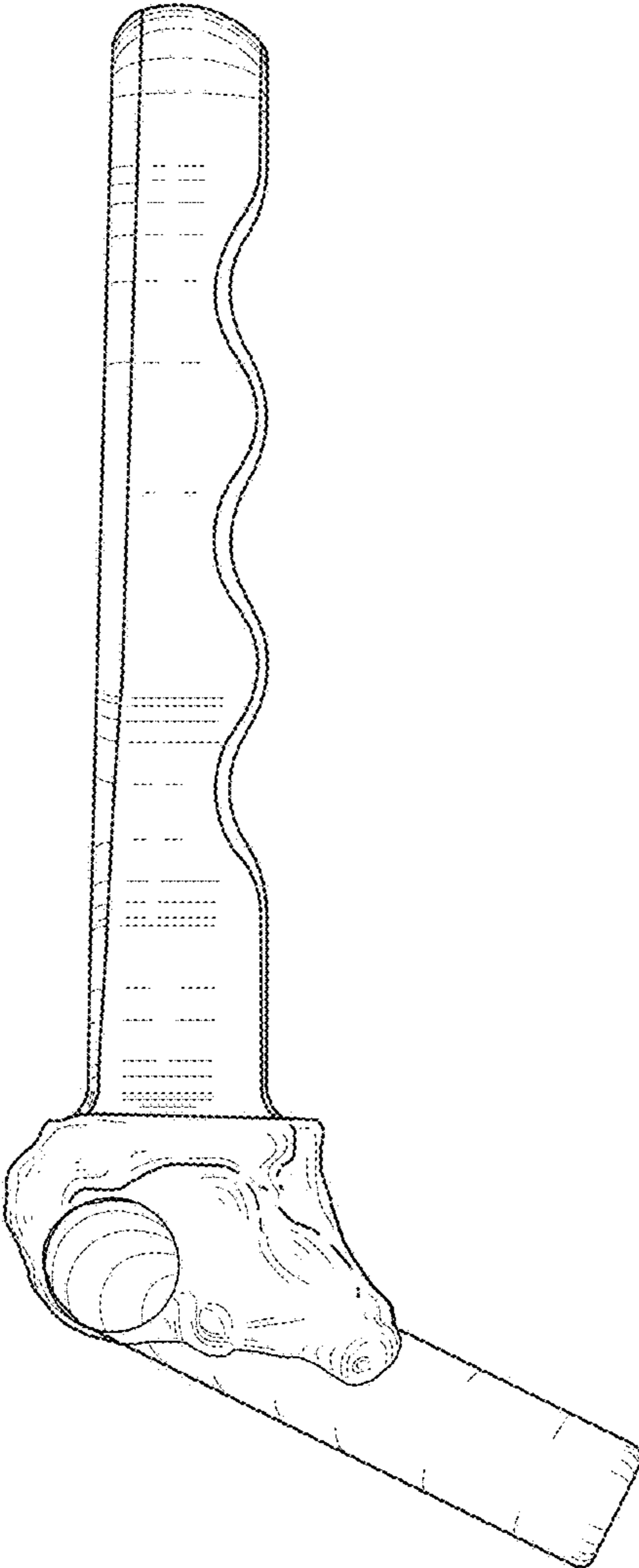


FIG. 11