



US00D787281S

(12) **United States Design Patent** (10) **Patent No.:** **US D787,281 S**
Bennett (45) **Date of Patent:** **** May 23, 2017**

(54) **CULINARY UTENSIL**
(71) Applicant: **TUESDAY MORNING PARTNERS, LTD.**, Dallas, TX (US)
(72) Inventor: **Timothy J. Bennett**, Colorado Springs, CO (US)
(73) Assignee: **TUESDAY MORNING PARTNERS, LTD.**, Dallas, TX (US)
(**) Term: **15 Years**

D464,536 S 10/2002 Veltri et al.
D468,583 S 1/2003 Kerulis
D477,498 S 7/2003 Rowe
D480,612 S 10/2003 Schulein
D484,740 S 1/2004 Hay
D487,679 S * 3/2004 Overthun D7/692
D495,216 S 8/2004 Overthun et al.
D503,071 S 3/2005 Lu
D504,797 S 5/2005 Lu
D541,602 S 5/2007 Yu
D567,019 S 4/2008 Gonzalez
D581,728 S 12/2008 Logiudice et al.
D590,206 S 4/2009 Munari
D606,806 S 12/2009 Campbell et al.
8,235,435 B2 8/2012 Campbell et al.

(21) Appl. No.: **29/532,183**

(22) Filed: **Jul. 2, 2015**

(51) **LOC (10) Cl.** **07-04**

(52) **U.S. Cl.**
USPC **D7/692**

(58) **Field of Classification Search**
USPC D7/680-696, 393, 395; D8/105
CPC A47J 43/288; A47J 43/283
See application file for complete search history.

(56) **References Cited**

U.S. PATENT DOCUMENTS

D255,971 S * 7/1980 Kelly D7/692
D282,708 S 2/1986 Schaeffer
D298,503 S 11/1988 McCullough
D316,213 S 4/1991 Skerker et al.
5,176,418 A * 1/1993 Niu A47J 43/288
294/7
5,386,633 A * 2/1995 Kanno A47J 43/288
15/236.01
D389,698 S 1/1998 Cohen et al.
D432,354 S 10/2000 Wagner
D444,029 S 6/2001 Wold et al.
D444,042 S 6/2001 Kortleven et al.
D448,973 S 10/2001 Hay et al.
D450,981 S 11/2001 Kaposi
D452,631 S 1/2002 Knorr
D458,090 S 6/2002 Veltri et al.

(Continued)

OTHER PUBLICATIONS

U.S. Appl. No. 29/532,188, filed Jul. 2, 2015 (25 pages).
(Continued)

Primary Examiner — Terry Wallace
(74) *Attorney, Agent, or Firm* — Haynes and Boone, LLP

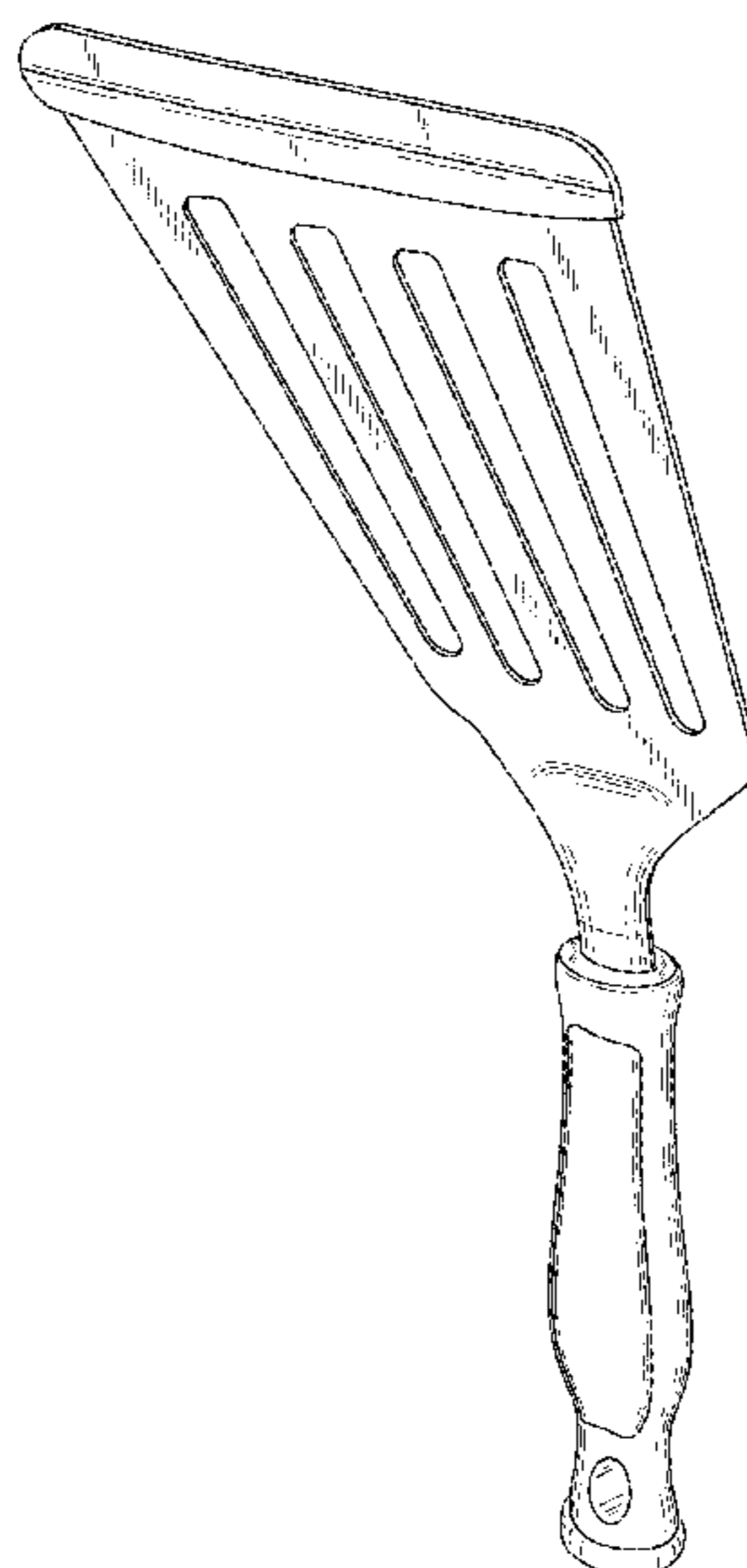
(57) **CLAIM**

The ornamental design for a culinary utensil, as shown and described.

DESCRIPTION

FIG. 1 is a front perspective view of a culinary utensil showing our new design.
FIG. 2 is a front view thereof.
FIG. 3 is a rear view thereof.
FIG. 4 is a right side view thereof, the left side being a mirror image.
FIG. 5 is a top plan view thereof; and,
FIG. 6 is a bottom plan view thereof.
The broken lines depict unclaimed subject matter and form no part of the claimed design.

1 Claim, 3 Drawing Sheets



(56)

References Cited

U.S. PATENT DOCUMENTS

D689,346 S	*	9/2013	Lion	D7/692
D696,563 S		12/2013	Hauser		
D727,130 S		4/2015	Robinson et al.		
2005/0166406 A1		8/2005	Cornfield		
2011/0049918 A1		3/2011	Campbell et al.		

OTHER PUBLICATIONS

U.S. Appl. No. 29/532,194, filed Jul. 2, 2015 (16 pages).
 U.S. Appl. No. 29/532,196, filed Jul. 2, 2015 (15 pages).
 U.S. Appl. No. 29/532,198, filed Jul. 2, 2015 (12 pages).
 “Bakelite Frying Pan Handle Plastic Handle Sub Cooker Fittings General Stir Frying Pan Handle Accessories”, printed from www.aliexpress.com/item/Bakelite-frying-pan-pan-handle-plastic...b-sub-cooker-Fittings-General-stir-frying-pan-handle/2037521317.html, publicly available at least as early as Jun. 5, 2015 (2 pages).
 “Chefs Slim Slotted and Solid Turner Set”, printed from www.chefscatalog.com/product/31139-chefs-slim-slotted-and-solid-turner-set.aspx, first publicly available Apr. 13, 2015 (3 pages).
 “Electric Handle Coffee Milk Egg Beater Mixer Shaker Whisk Frother Cake Tool Home Kitchen Tools”, printed from www.aliexpress.com/item/Electric-Handle-Coffee-Milk-Egg-Beat...-Shaker-Whisk-Frother-Cake-Tool-Home-Kitchen-Tools/1405954213.html, publicly available at least as early as Jun. 5, 2015 (2 pages).
 “Farberware Soft Grip Stainless Steel Slotted Turner with Silicone Edge”, printed from www.walmart.com/ip/Farberware-Soft-Grip-Stainless-Steel-Slotted-Turner-with-Silicone-Edge/43825485, publicly available at least as early as Apr. 20, 2015 (5 pages).
 “Goma Whisk 11.8 in”, printed from <http://localroot.com/s.nl/it.A/id.56764/f>, publicly available at least as early as Jun. 8, 2015 (1 page).
 “Jumbo Handle Colander/Strainer”, printed from www.truehomecomfort.com/p/Jumbo-Handle-Colander-Strainer-54915707.html, publicly available at least as early as Jun. 5, 2015 (2 pages).
 “Pasta Scoop Colander”, printed from www.amazon.com/gp/product/B009HD1NH0/ref=pd_lpo_sbs_d...00ODT7OD0&pf_rd_m=ATVPDKIKX0DER&pf_rd_r=12631NTVHFVBVASWQ094, publicly available at least as early as Feb. 5, 2013 (6 pages).
 “KitchenAid Black 17-piece Kitchen Tool & Gadget Set”, printed from www.overstock.com/Home-Garden/KitchenAid-Black-17-piece-Kitchen-Tool-Gadget-Set/6312578/product.html, publicly available at least as early as Dec. 21, 2011 (5 pages).
 “KitchenAid Black Slotted Turner”, printed from www.target.com/p/kitchenaid-black-slotted-turner/-/A-13370347#prodSlot=_1_1, publicly available at least as early as Jan. 14, 2015, per <http://web.archive.org> (4 pages).
 KitchenAid Pasta Scoop Colander, Red, printed from www.amazon.com/KitchenAid-Pasta-Scoop-Colander-Red/dp/B00005KIEF/ref=cm_cr_pr_product_top?ie=UTF8, publicly available at least as early as Dec. 7, 2004 (4 pages).

“Kuhn Rikon Flex Slotted Turners”, printed from www.surlatable.com/product/PRO-688366/?affsrcid=Aff0001&C...&utm_campaign=googlepla&catargetid=120120820000133622&cadevice=c, publicly available at least as early as Apr. 1, 2011 (3 pages).

“Kuhn Rikon SoftEdge Flexi Turner”, printed from www.chefscatalog.com/product/29483-kuhn-riikon-softedge-flexi-turner.aspx, publicly available at least as early as Apr. 28, 2015 (3 pages).

“Le Chef Stainless Steel Silicone Tip 6-piece Utensil Set”, printed from www.overstock.com/Home-Garden/Le-Chef-Stainless-Steel-Silicone-Tip-6-piece-Utensil-Set/5306985/product.html, publicly available at least as early as Jan. 1, 2011 (5 pages).

“Le Creuset Revolution Mesh Strainer”, printed from www.wayfair.com/Le-Creuset-Revolution%C2%AE-Mes, publicly available at least as early as May 23, 2015 (3 pages).

“Le Creuset Revolution Silicone Spatula Spoon”, printed from www.chefscatalog.com/product/26509-le-creuset-silicone-spoon-spatula.aspx, publicly available at least as early as Feb. 24, 2011, per <http://web.archive.org> (3 pages).

“Le Creuset Revolution Wood Scraping Spoon”, printed from www.bedbathandbeyond.com/store/product/le-creuset-rev, publicly available at least as early as Jun. 8, 2015 (2 pages).

“Various Le Creuset Utensils”, printed from www.surlatable.com/browse/index.jsp?N=12779&No=192&Nrpp=48, publicly available at least as early as Jun. 9, 2015 (4 pages).

“Norpro Silicone Whisk”, printed from www.thekitchenoutlet.com/product/norpro-silicone-whisk/, publicly available at least as early as Jun. 8, 2015 (2 pages).

“OXO Good Grips Large Scoop Colander”, printed from www.amazon.com/OXO-Grips-Large-Scoop-Colander/dp/B0000CDVD6, publicly available at least as early as Jul. 11, 2006 (7 pages).

“OXO Steel 9-Inch Whisk”, printed from <https://www.google.com/shopping/product/5723286997218399>, publicly available at least as early as Jun. 8, 2015 (2 pages).

“Paderno World Cuisine Cocktail Strainer”, printed from www.wayfair.com/Paderno-World-Cuisine-Cocktail-Strainer-48278-15-WCS6628.html, publicly available at least as early as Jun. 5, 2015 (3 pages).

“Stainless Steel Three-Piece Strainer Set”, printed from <http://indulgy.com/post/duAKHLPyy2/stainless-steel-threepiece-strainer-set>, publicly available at least as early as Jun. 9, 2015 (7 pages).

“Stainless Steel Whisk With Wood Handle”, printed from www.bedbathandbeyond.com/1/1/219061-stainless-steel-whisk-wood-handle.html, publicly available at least as early as Jun. 5, 2015 (4 pages).

“Williams-Sonoma Silicone Balloon Whisk”, printed from www.williams-sonoma.com/products/williams-sonoma-silicone-balloon-whisk/?pkey=elsilicone%2Bballoon%2Bwhisk|1|best|0|1|24|1&cm_src=PRODUCTSEARCH|NoFacet-_-NoFacet-_-NoMerchRules, publicly available at least as early as Jun. 4, 2014 (3 pages).

* cited by examiner

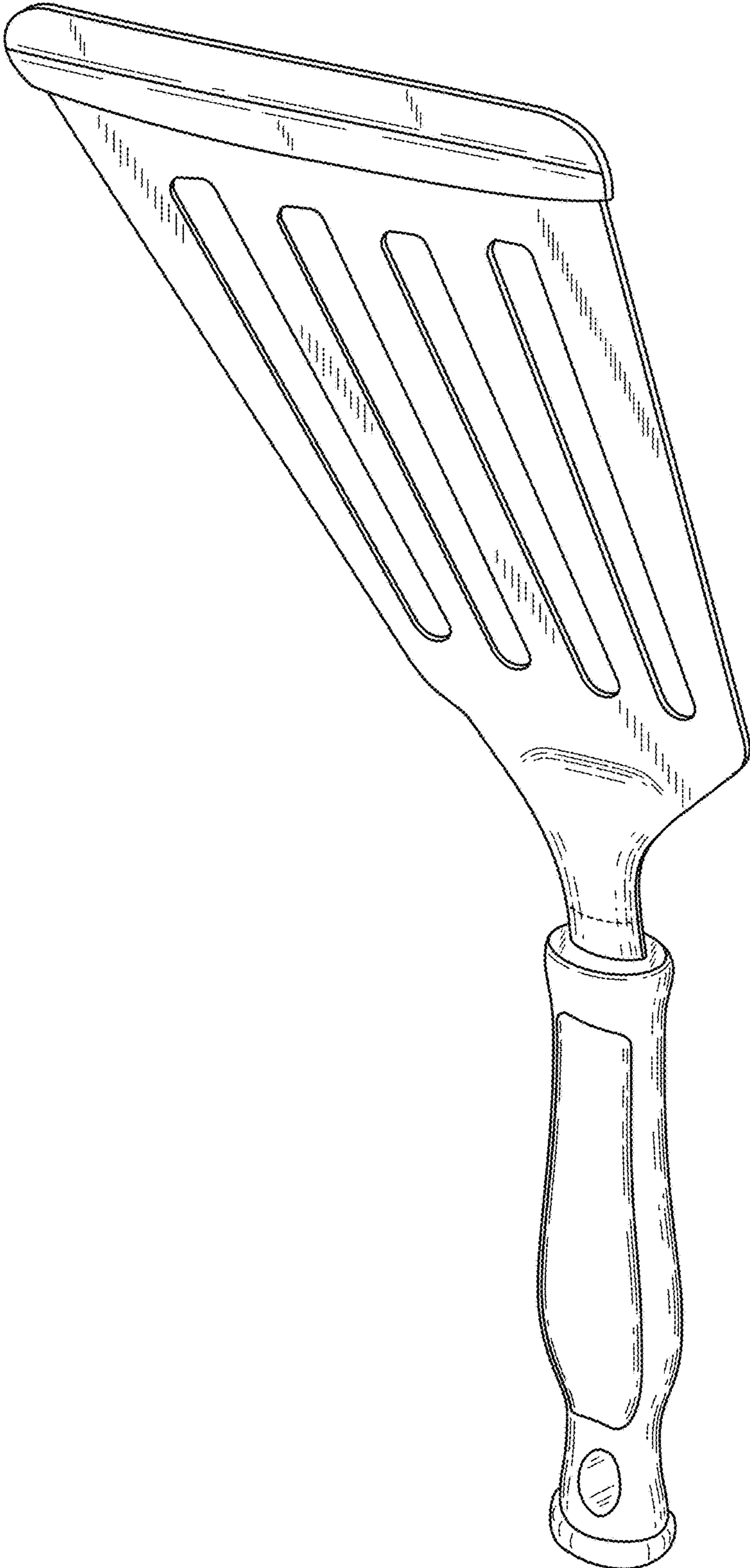


FIG. 1

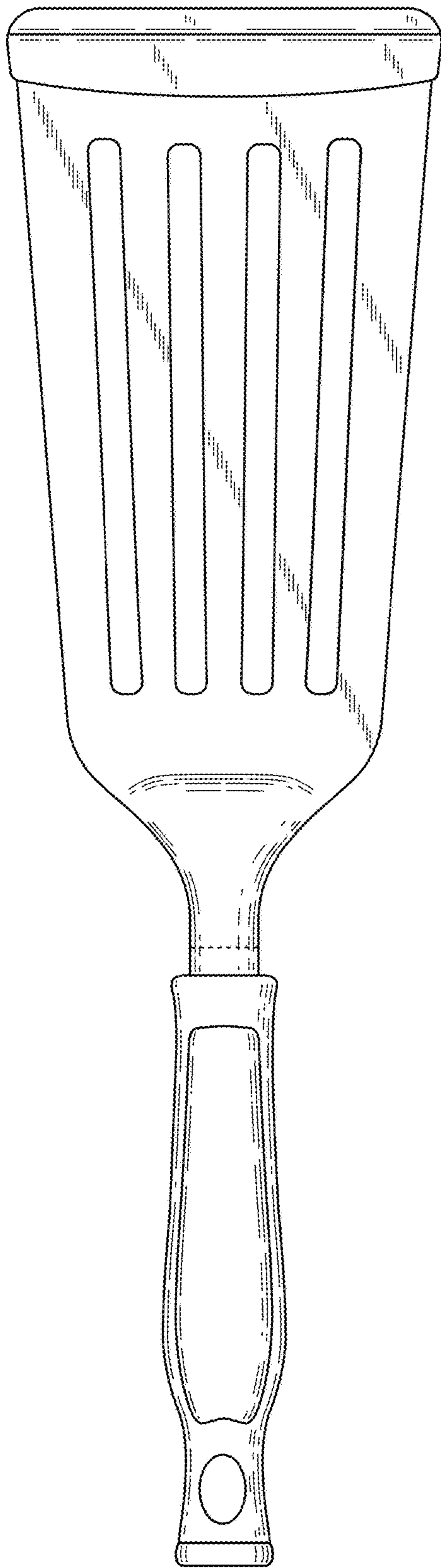


FIG. 2

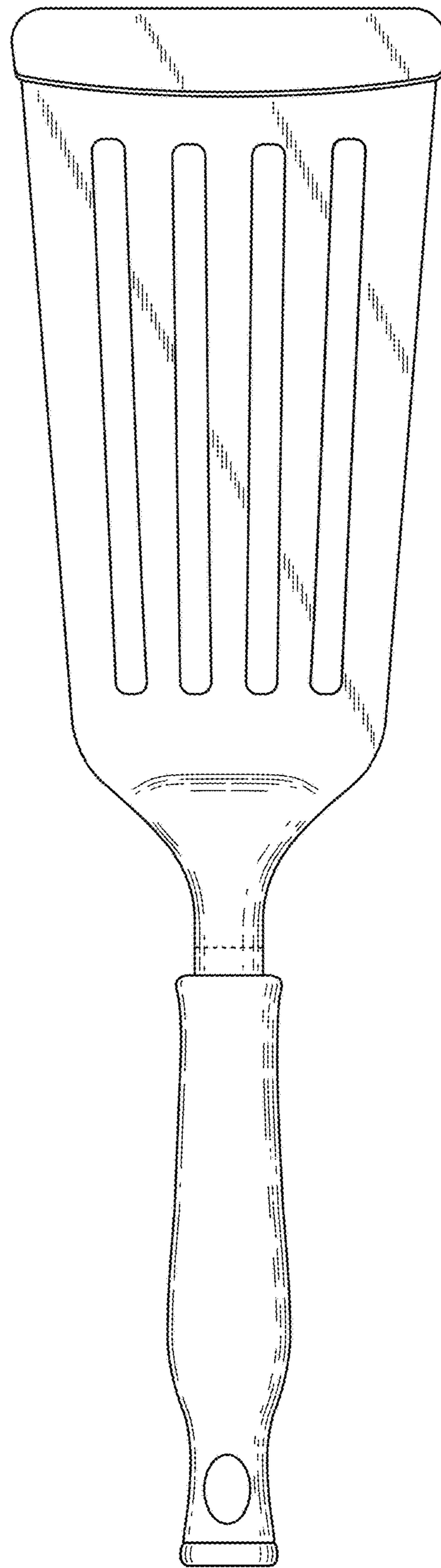


FIG. 3

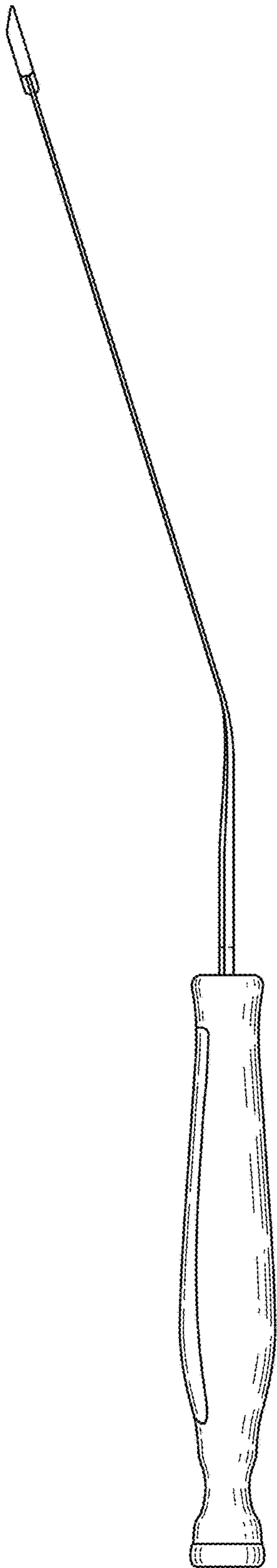


FIG. 4

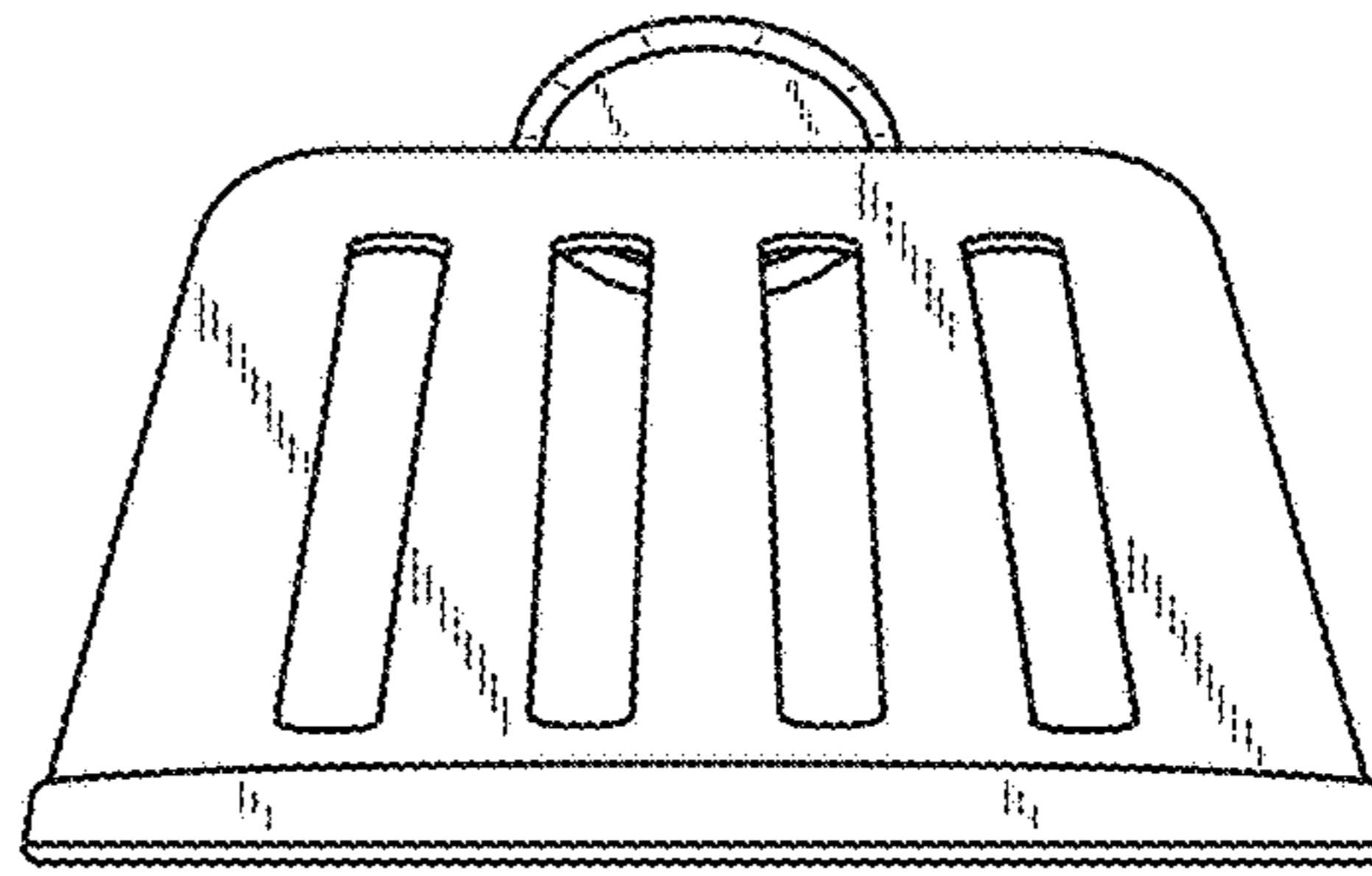


FIG. 5

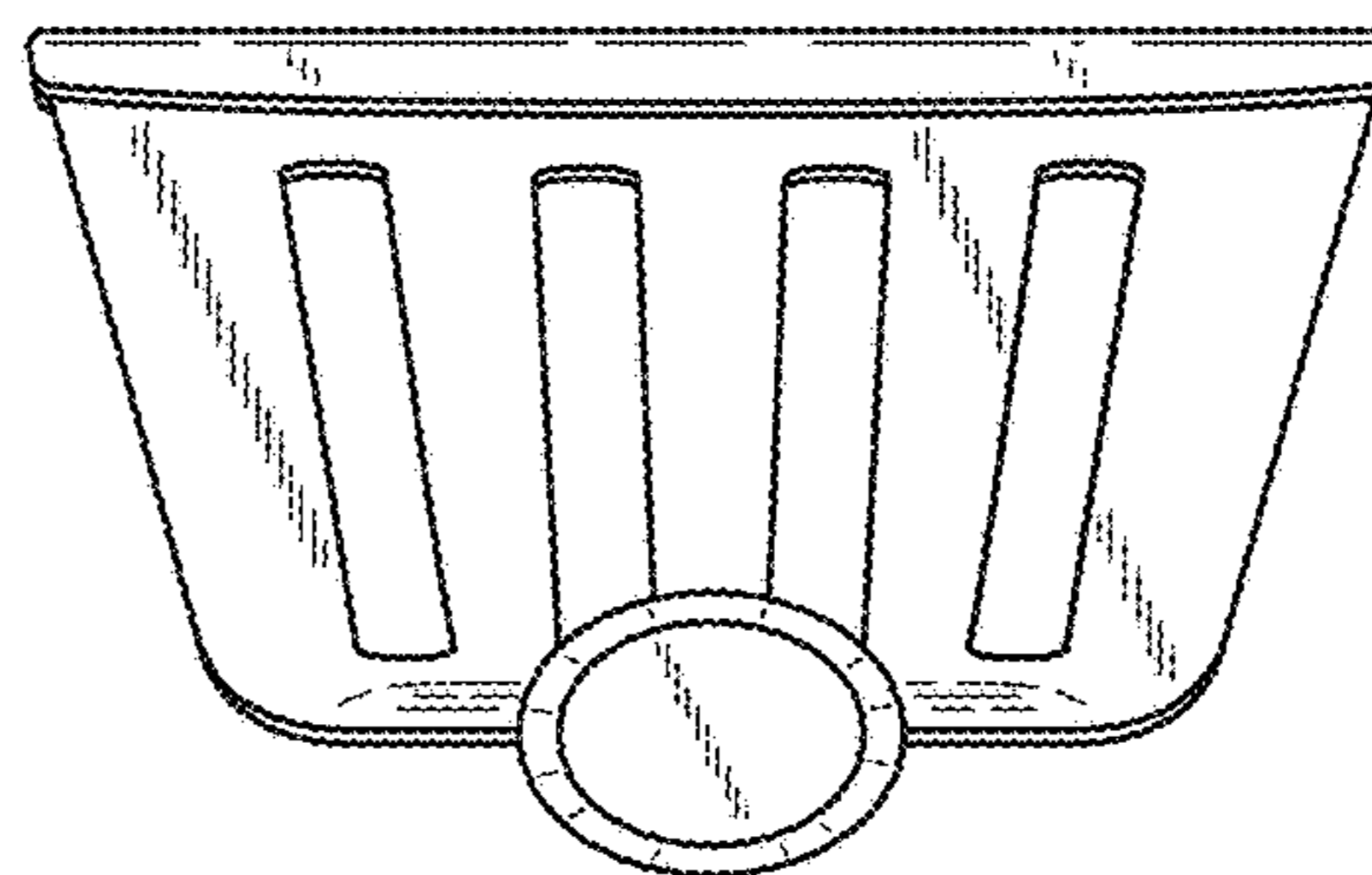


FIG. 6