



US00D787277S

(12) **United States Design Patent** (10) **Patent No.:** **US D787,277 S**  
**Goodman et al.** (45) **Date of Patent:** **\*\* May 23, 2017**

- (54) **NAPKIN HOLDER**
- (71) Applicant: **Spectrum Diversified Designs, LLC**,  
Streetsboro, OH (US)
- (72) Inventors: **Aaron D. Goodman**, Beachwood, OH  
(US); **Phaysouk Xayoiphonh**, Akron,  
OH (US); **Courtney K. Wilson**,  
Chardon, OH (US)
- (73) Assignee: **SPECTRUM DIVERSIFIED  
DESIGNS, LLC**, Streetsboro, OH (US)
- (\*\*) Term: **15 Years**
- (21) Appl. No.: **29/554,849**
- (22) Filed: **Feb. 16, 2016**
- (51) **LOC (10) Cl.** ..... **07-06**
- (52) **U.S. Cl.**  
USPC ..... **D7/631**
- (58) **Field of Classification Search**  
USPC ..... D3/306; D6/566-574; D7/631,  
D7/637-641; D19/75, 81-86, 90, 92;  
211/41.4, 70.7, 85.31, 90.03, 106, 126.8,  
211/126.9, 133.2, 133.5; 220/485-488,  
220/491; 248/37.3, 37.6, 153, 175  
CPC .. A47F 7/00; A47F 7/14; A47G 21/00; A47G  
21/16; G09F 1/14  
See application file for complete search history.

D652,688 S \* 1/2012 Guindi ..... D7/631  
D690,769 S \* 10/2013 Hu ..... D19/92  
D710,124 S \* 8/2014 Goodman ..... D3/306

**OTHER PUBLICATIONS**

Home Essentials Rooster Weight Napkin Holder, announced Jan. 2014, [online], site visited Jan. 4, 2017. Available from Internet, <URL: <http://www.amazon.com>>.\*  
Majestic Handicrafts Co. Napkin Holder with Bird, announced Jan. 2013, [online], site visited Jan. 4, 2017. Available from Internet, <URL: <http://www.amazon.com>>.\*  
Park Designs Black Village Scroll Luncheon Napkin Holder, announced Apr. 2012, [online], site visited Jan. 4, 2017. Available from Internet, <URL: <http://www.amazon.com>>.\*

\* cited by examiner

*Primary Examiner* — Brandon M Rosati  
*Assistant Examiner* — Janice Lim

(74) *Attorney, Agent, or Firm* — Benesch, Friedlander,  
Coplan & Aronoff LLP

**CLAIM**

(57) The ornamental design for a napkin holder, as shown and described.

**DESCRIPTION**

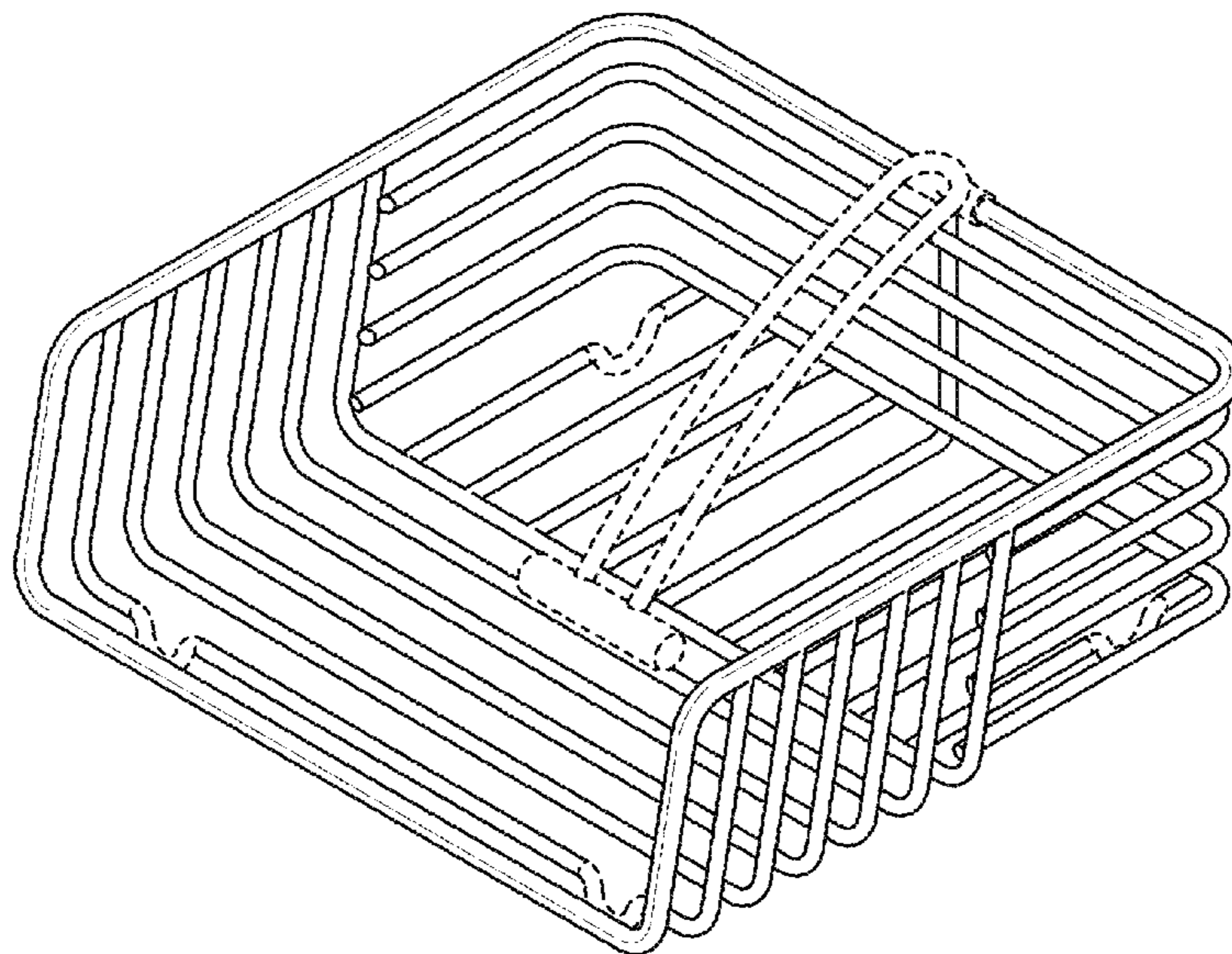
FIG. 1 is a perspective view of a napkin holder, showing our new design;  
FIG. 2 is a front view of the flat napkin holder of FIG. 1;  
FIG. 3 is a rear view of the flat napkin holder of FIG. 1;  
FIG. 4 is a side view of the flat napkin holder of FIG. 1;  
FIG. 5 is a top view of the flat napkin holder of FIG. 1; and,  
FIG. 6 is a bottom view of the flat napkin holder of FIG. 1.  
The broken line portions show unclaimed subject matter only and form no part of the claimed design.

**1 Claim, 4 Drawing Sheets**

(56) **References Cited**

**U.S. PATENT DOCUMENTS**

D33,269 S \* 9/1900 Rix ..... D19/92  
D219,205 S \* 11/1970 Propst ..... D3/306  
D315,925 S \* 4/1991 Rich ..... D19/86  
D527,767 S \* 9/2006 Hardy ..... D19/92  
D551,454 S \* 9/2007 Cheng ..... D3/306  
D640,510 S \* 6/2011 Guindi ..... D7/631



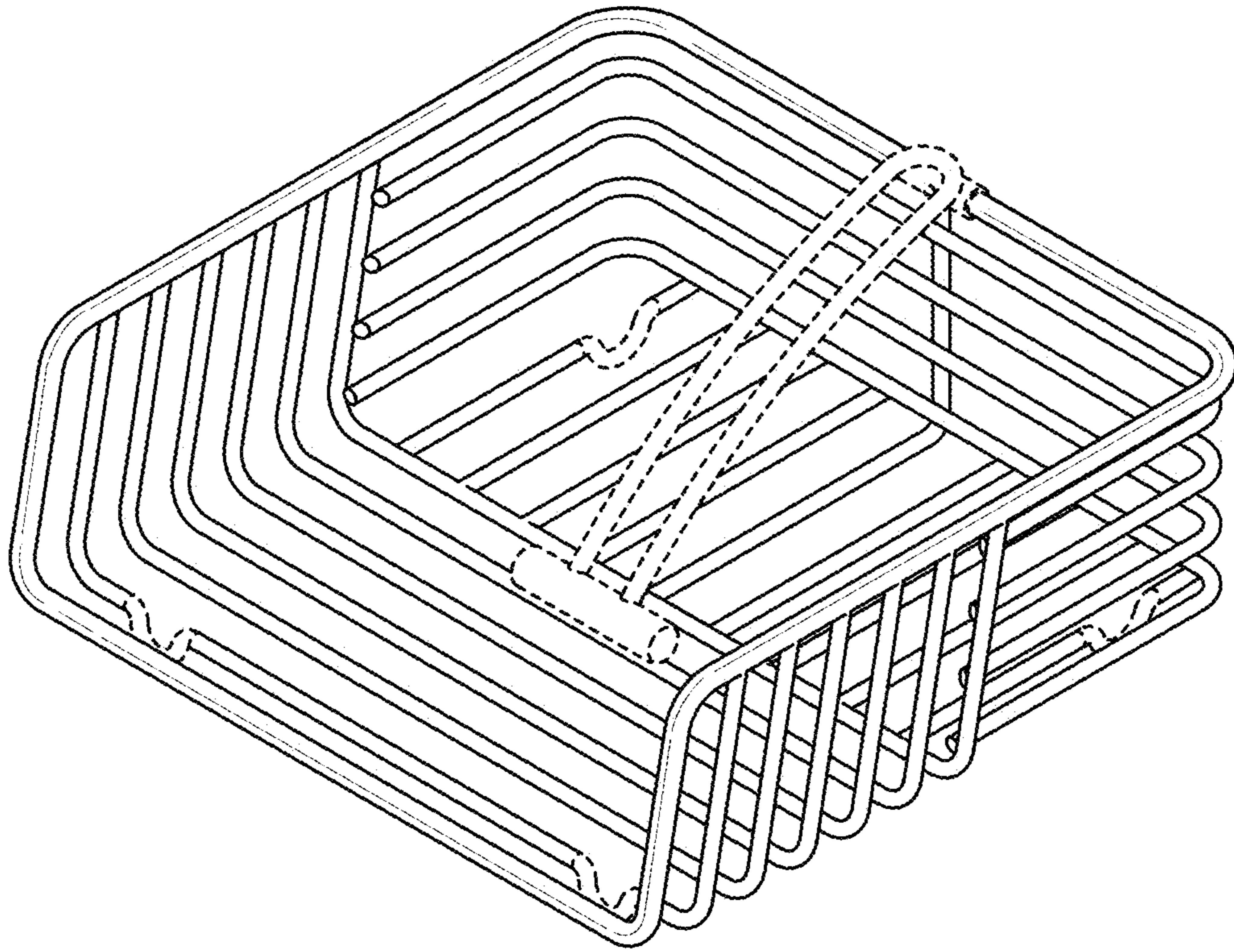


FIG. 1

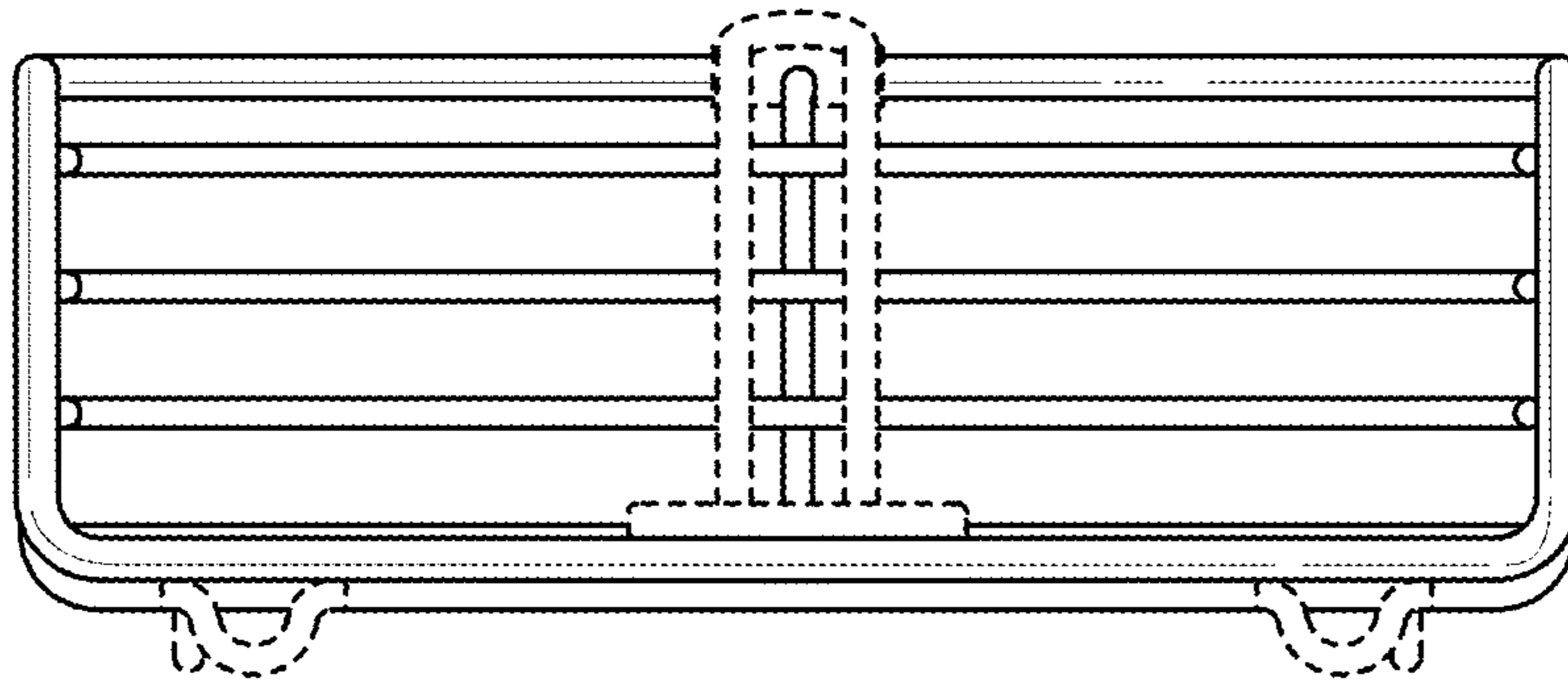


FIG. 2

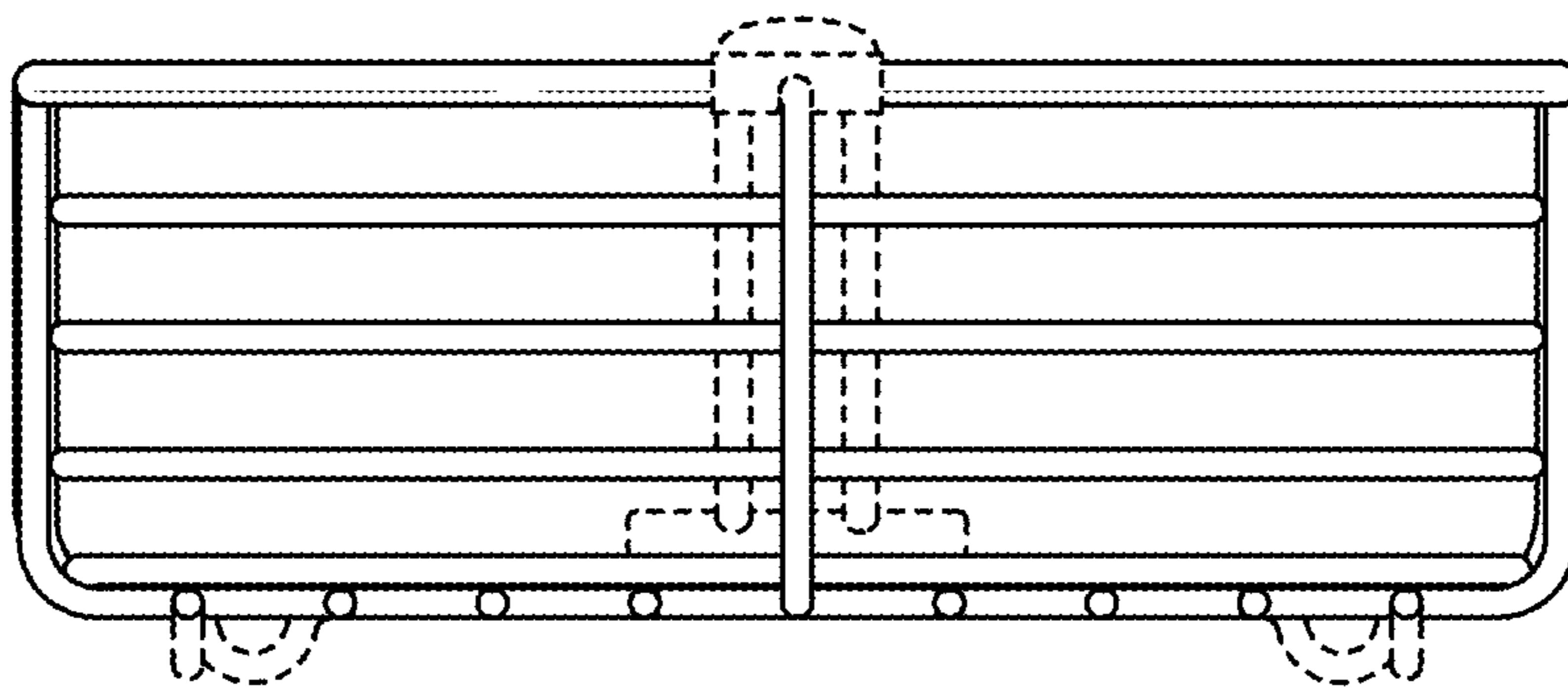


FIG. 3

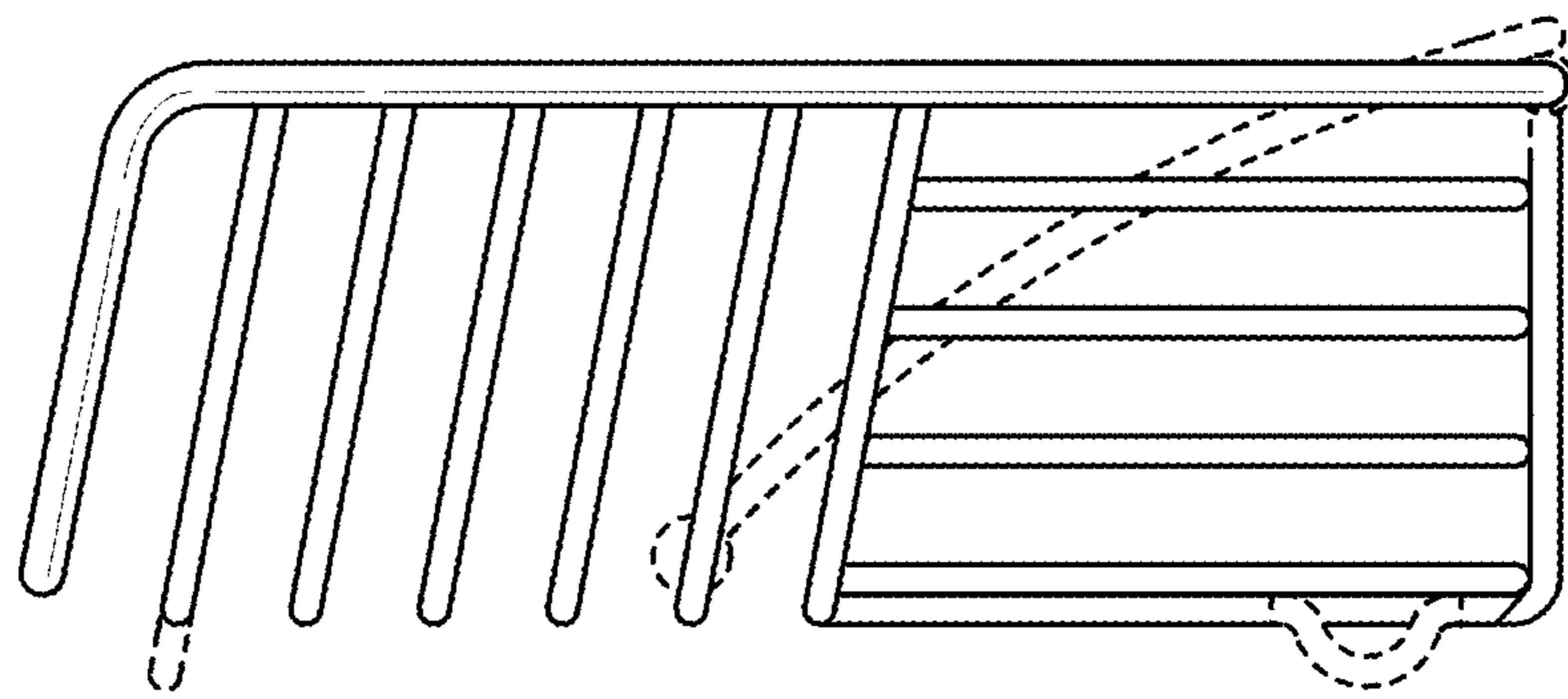


FIG. 4

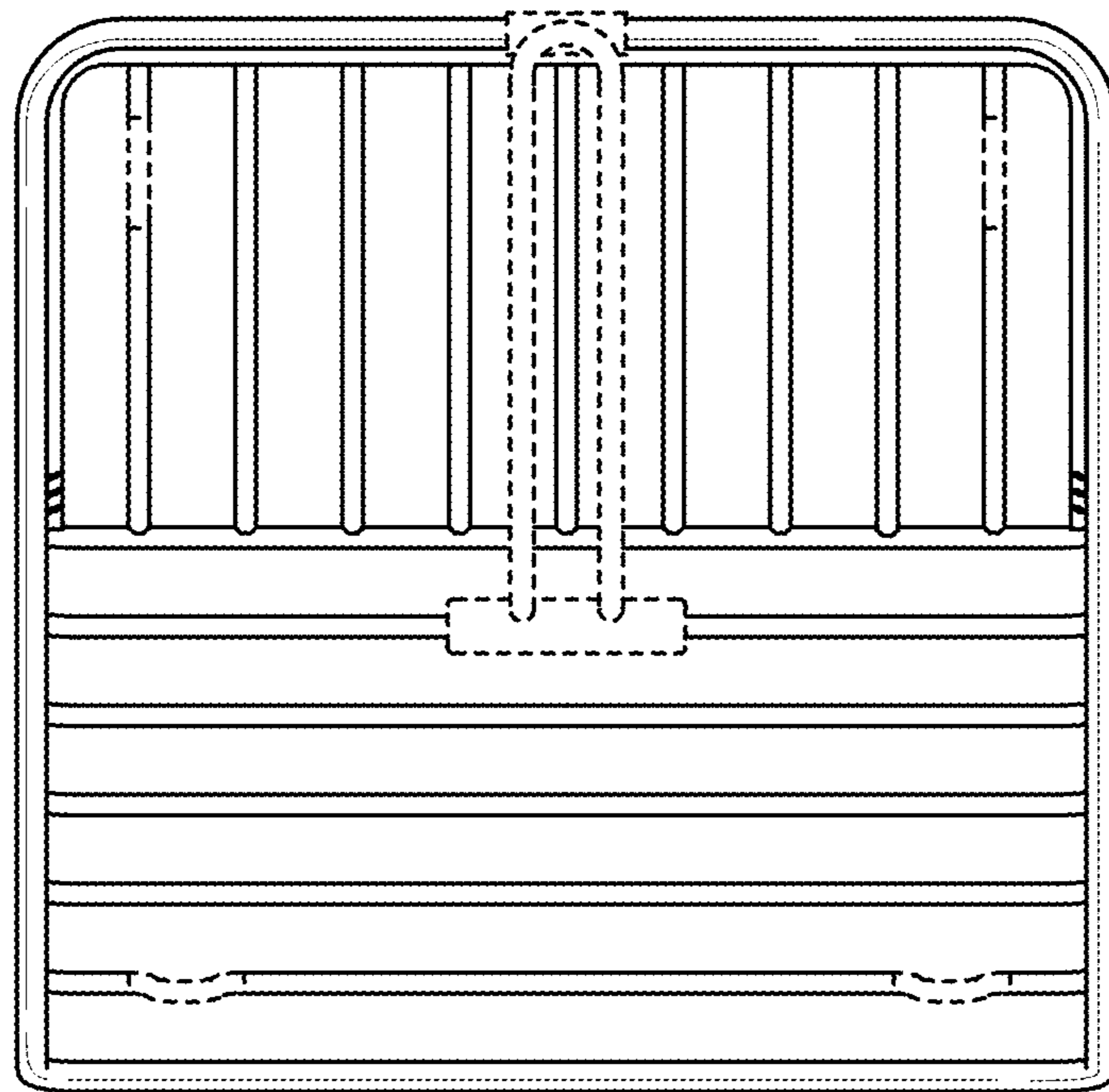


FIG. 5

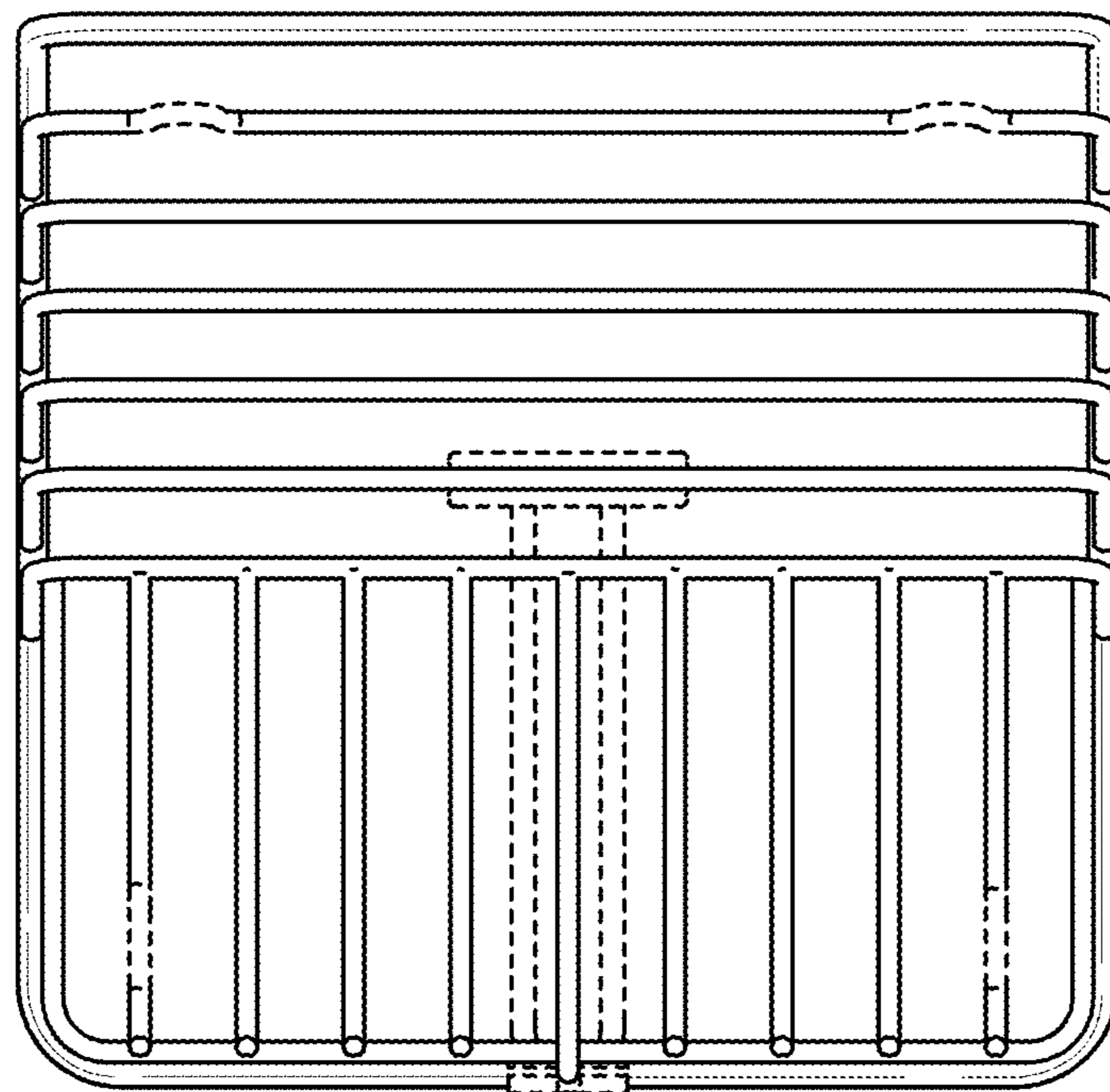


FIG. 6