



US00D787276S

(12) **United States Design Patent** (10) **Patent No.:** **US D787,276 S**  
**Furneau et al.** (45) **Date of Patent:** **\*\* May 23, 2017**

(54) **CORK-LINED CONTAINER**

OTHER PUBLICATIONS

- (71) Applicant: **Sovaro Coolers, LLC**, Roswell, GA (US)
- (72) Inventors: **Todd McLean Furneau**, Roswell, GA (US); **Jennifer Marin Earnest**, Mabelton, GA (US)
- (73) Assignee: **Sovaro Coolers, LLC**, Roswell, GA (US)
- (\*\*) Term: **15 Years**
- (21) Appl. No.: **29/575,483**
- (22) Filed: **Aug. 25, 2016**

Sovaro, 45 QT Cooler Black, publication date unknown, [site visited Sep. 27, 2016], Available on the Internet URL: <<http://www.sovaro.com/coolers/45-qt-cooler.html>>.\*

\* cited by examiner

*Primary Examiner* — Susan Bennett Hattan  
*Assistant Examiner* — S. Bryan Reinholdt, Jr.

(74) *Attorney, Agent, or Firm* — McHale & Slavin, P.A.

**Related U.S. Application Data**

- (62) Division of application No. 29/506,075, filed on Oct. 13, 2014, now Pat. No. Des. 779,283.
- (51) **LOC (10) Cl.** ..... **07-01**
- (52) **U.S. Cl.**  
USPC ..... **D7/605**
- (58) **Field of Classification Search**  
USPC ..... D3/273; D7/602, 603, 604, 605, 606, D7/607, 608, 629; 62/239; 220/739  
CPC ..... B60H 1/32  
See application file for complete search history.

(57) **CLAIM**

The ornamental design for cork-lined container, as shown and described.

**DESCRIPTION**

FIG. 1 is a top left isometric view of the cork-lined container of the present invention;  
FIG. 2 is a top view thereof;  
FIG. 3 is a front view thereof; and,  
FIG. 4 is a right side view, the left side being a mirror image thereof.

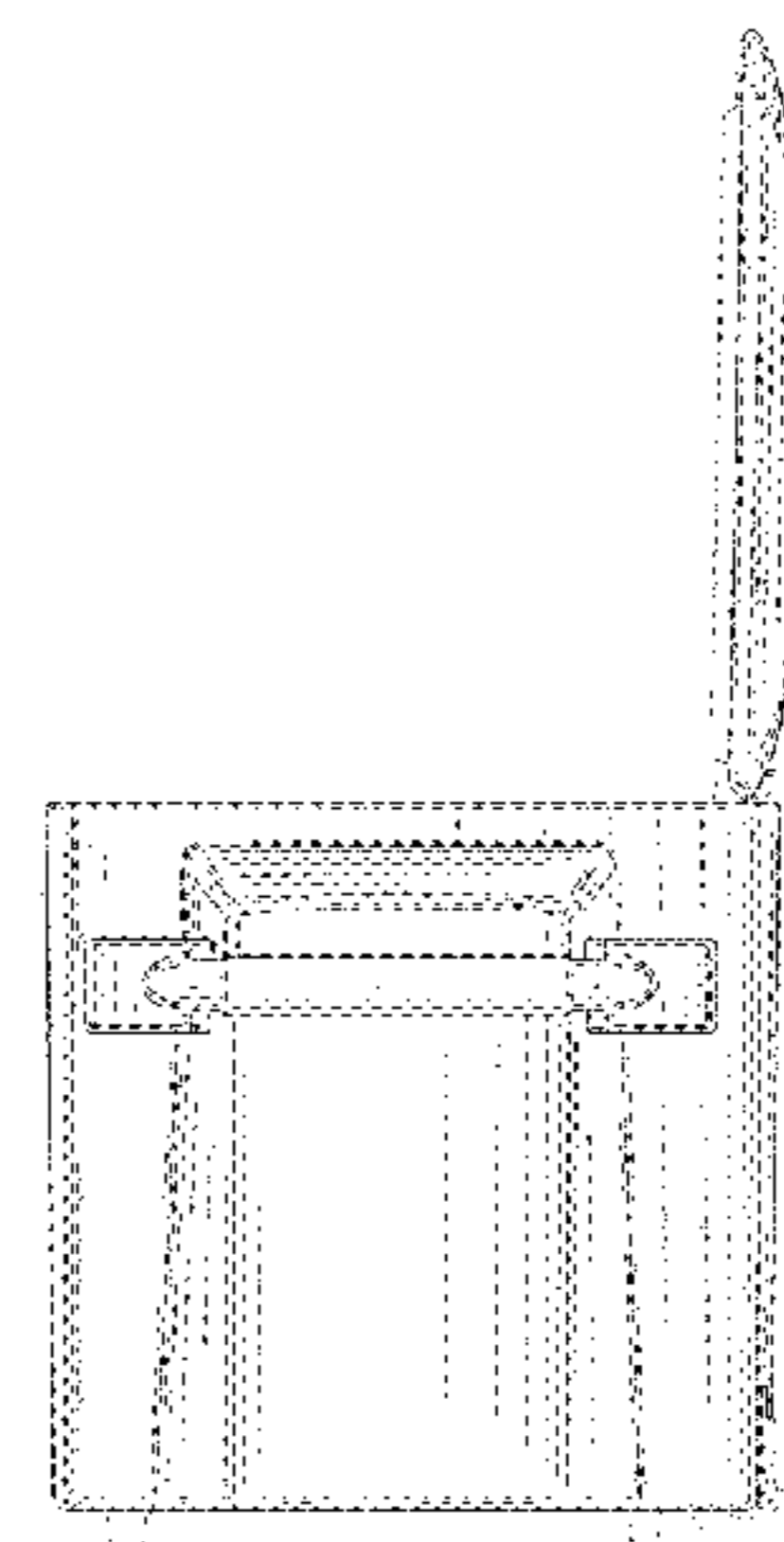
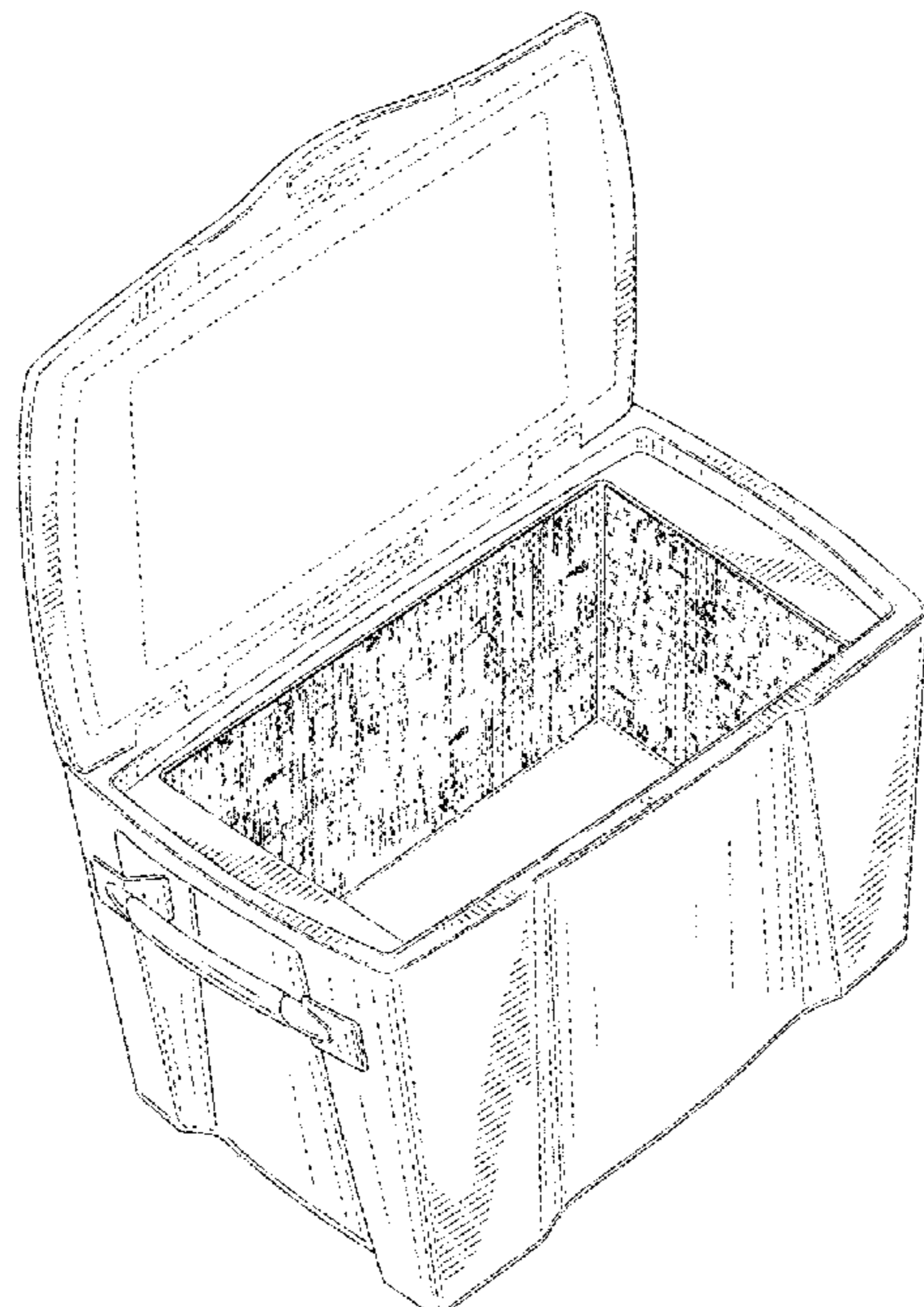
The portions of the cork-lined container illustrated in broken lines form no part of the claimed subject matter.

(56) **References Cited**

U.S. PATENT DOCUMENTS

- D587,072 S \* 2/2009 Friedman ..... D7/605
- D731,250 S \* 6/2015 Butler ..... D7/605
- 2016/0023837 A1 \* 1/2016 Furneau ..... B65D 81/3823  
220/592.11

**1 Claim, 4 Drawing Sheets**



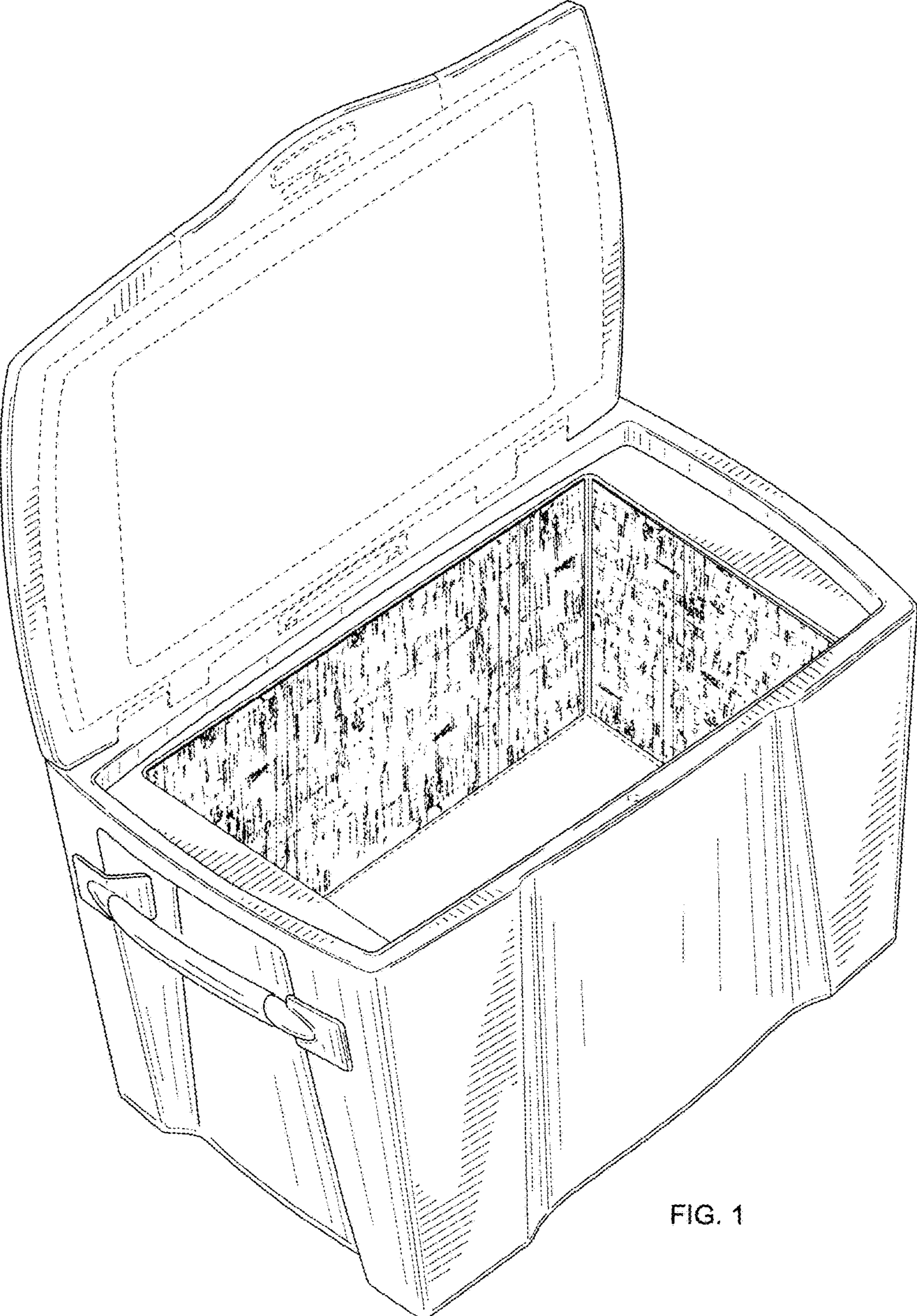


FIG. 1

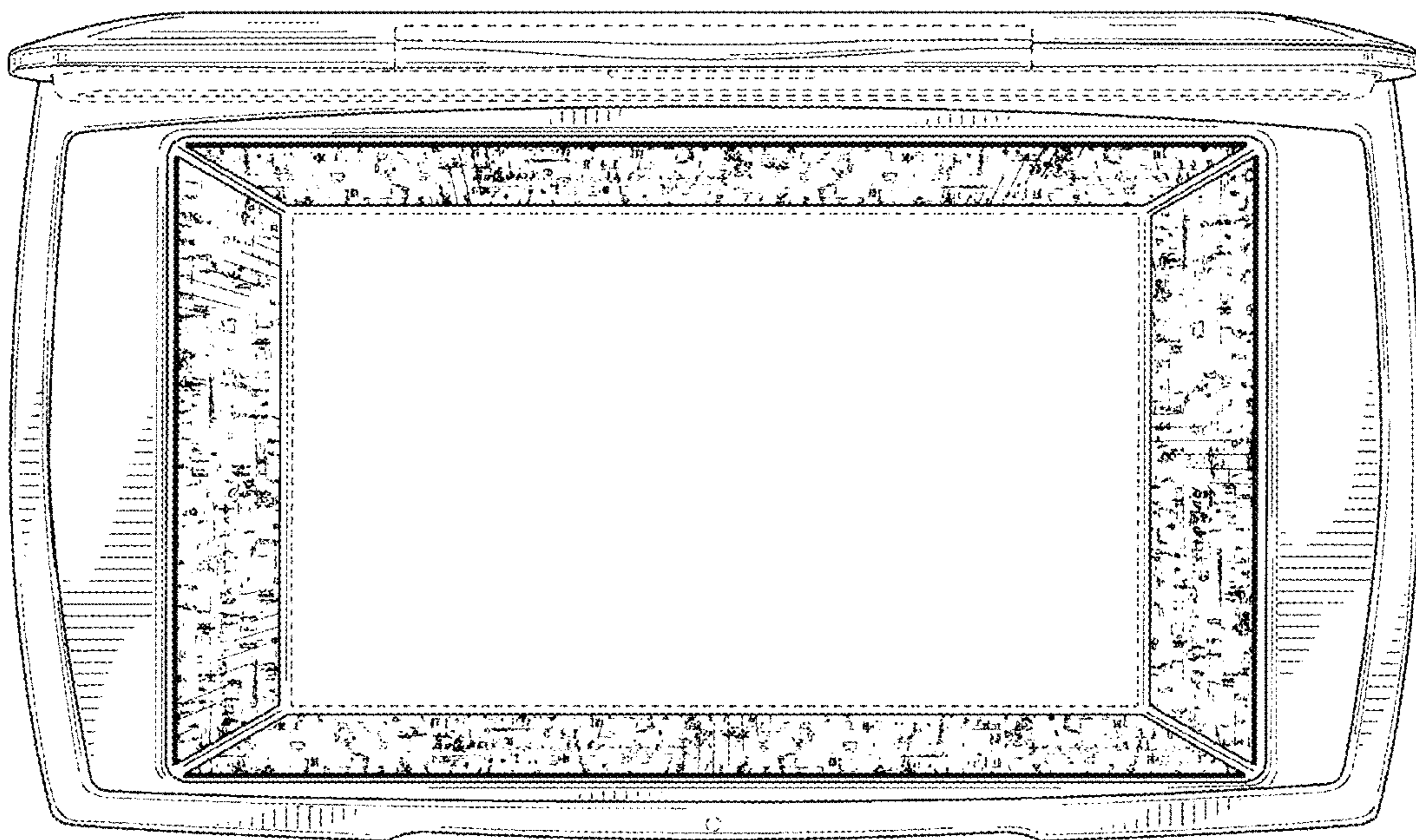


FIG. 2

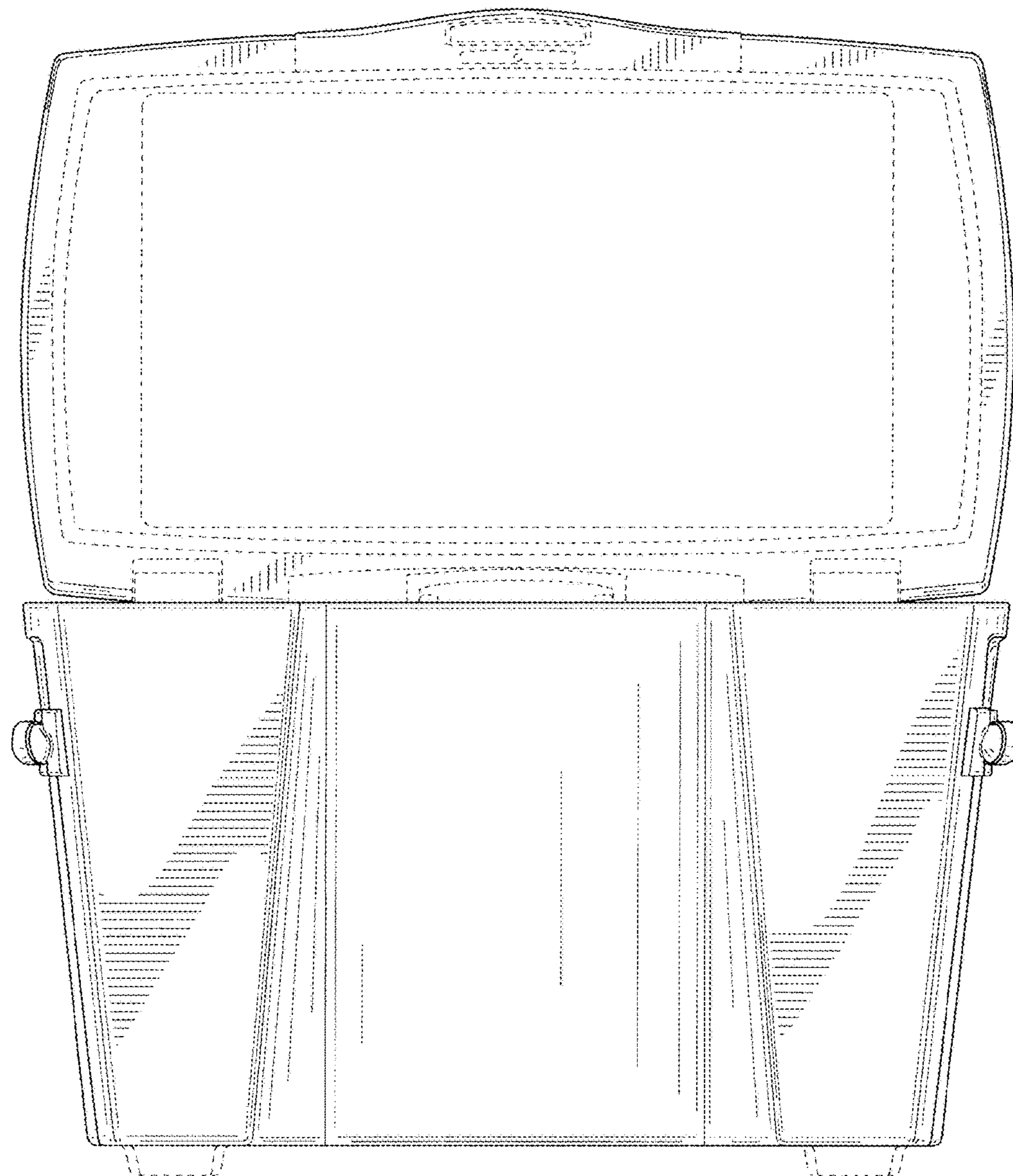


FIG. 3

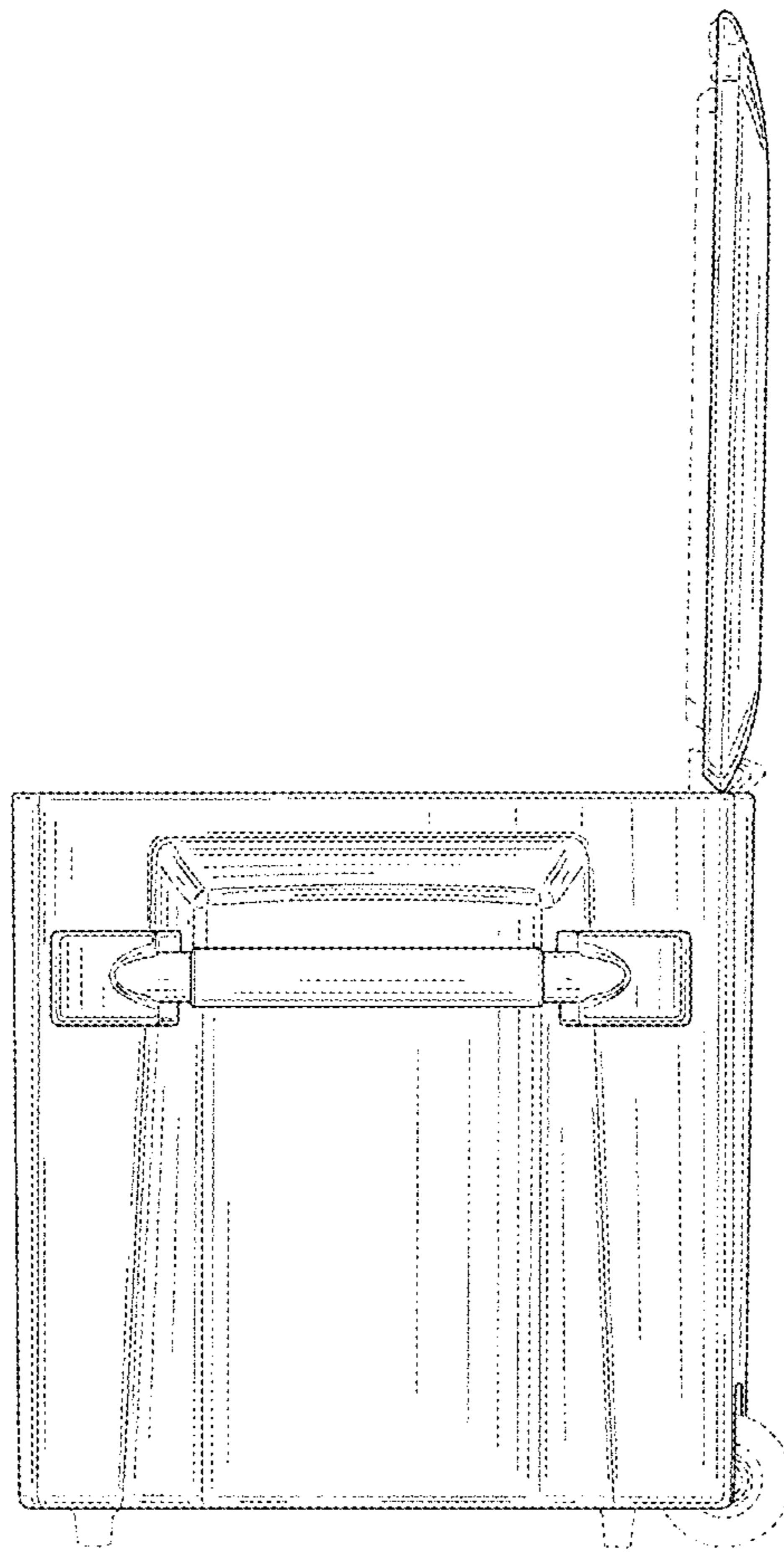


FIG. 4