



US00D787275S

(12) **United States Design Patent**
Carlson

(10) **Patent No.:** **US D787,275 S**

(45) **Date of Patent:** **** *May 23, 2017**

(54) **CONTAINER**

(71) Applicant: **The Decor Corporation Pty. Ltd.**,
Scoresby, Victoria (AU)

(72) Inventor: **Arthur Richard Carlson**, Hawthorn
East (AU)

(73) Assignee: **The Decor Corporation Pty. Ltd.**,
Scoresby (AU)

(*) Notice: This patent is subject to a terminal disclaimer.

(**) Term: **14 Years**

(21) Appl. No.: **29/509,968**

(22) Filed: **Nov. 24, 2014**

(30) **Foreign Application Priority Data**

May 27, 2014 (AU) 12580/2014

(51) **LOC (10) Cl.** **07-01**

(52) **U.S. Cl.**
USPC **D7/602**

(58) **Field of Classification Search**
USPC D7/629, 550.1, 551.1, 552.1, 552.2,
D7/553.1, 553.2, 553.3, 553.4, 553.5,
D7/553.7, 554.2, 555, 556, 601, 602, 603,
D7/604, 605, 606, 612, 613, 701, 705,
D7/706, 708, 323, 324, 326, 331, 332,
D7/337, 339, 340, 341, 346, 347, 350.1,
D7/350.3, 352, 354, 355, 356, 357, 360,
D7/362, 363, 364, 365, 366, 367, 672,
D7/630, 538-542, 584, 586, 587, 392.1,
D7/709; D3/273, 201, 206, 276, 283,
D3/284, 302, 304-315; D9/500, 501,
D9/414, 424-432; D6/512, 513,
D6/524-525, 552, 567; D32/37
CPC A47J 36/24; A47J 36/26; A47J 36/2405;
A47J 36/00; A47J 36/12; A47J 39/00;
A47J 39/02; A47J 27/004; A47J 27/18;
A47J 27/14; A47J 27/06; F24C 7/006;

B65D 7/00; B65D 7/02; B65D 7/12;
B65D 7/42; B65D 11/00; B65D 11/02;
B65D 15/00; B65D 15/02; B65D 15/22;
B65D 15/24; B65D 15/10; B65D 15/14;
B65D 21/00; B65D 21/02; B65D 21/08;
B65D 21/0209; B65D 21/0233; B65D
21/0234; B65D 2543/00; B65D
2543/00277; B65D 2543/00324; B65D
2543/00444; B65D 2588/00; B65D
2588/02; B65D 2588/16; B65D 2588/74;
B65D 43/162; B65D 81/02; B65D
81/3813

See application file for complete search history.

(56) **References Cited**

U.S. PATENT DOCUMENTS

D288,395 S * 2/1987 Ritman D7/586
D601,388 S * 10/2009 Carlson D7/602
D614,919 S * 5/2010 Carlson D7/602

(Continued)

Primary Examiner — Ian Simmons

Assistant Examiner — Shannon Morgan

(74) *Attorney, Agent, or Firm* — Cook Alex Ltd.

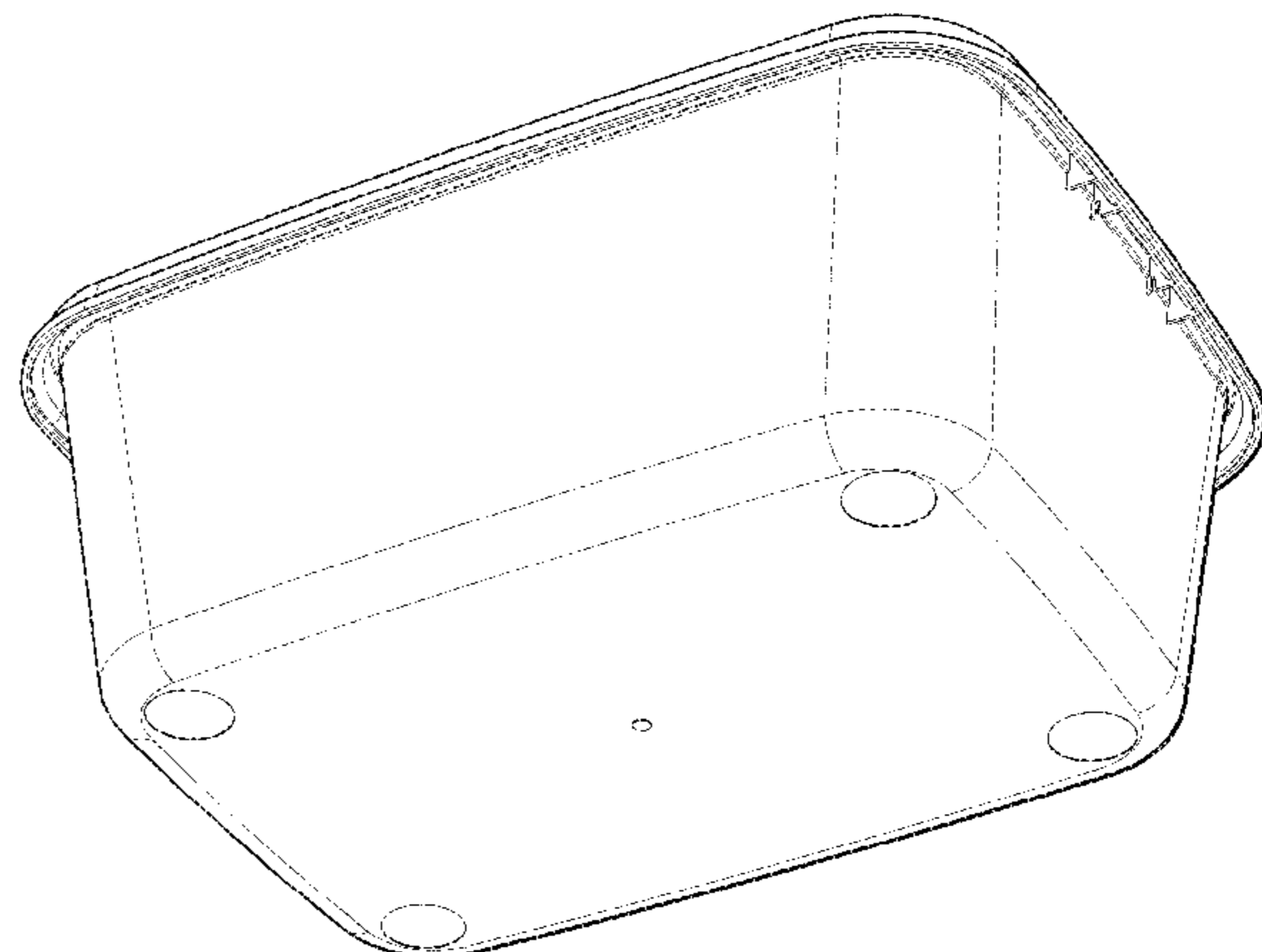
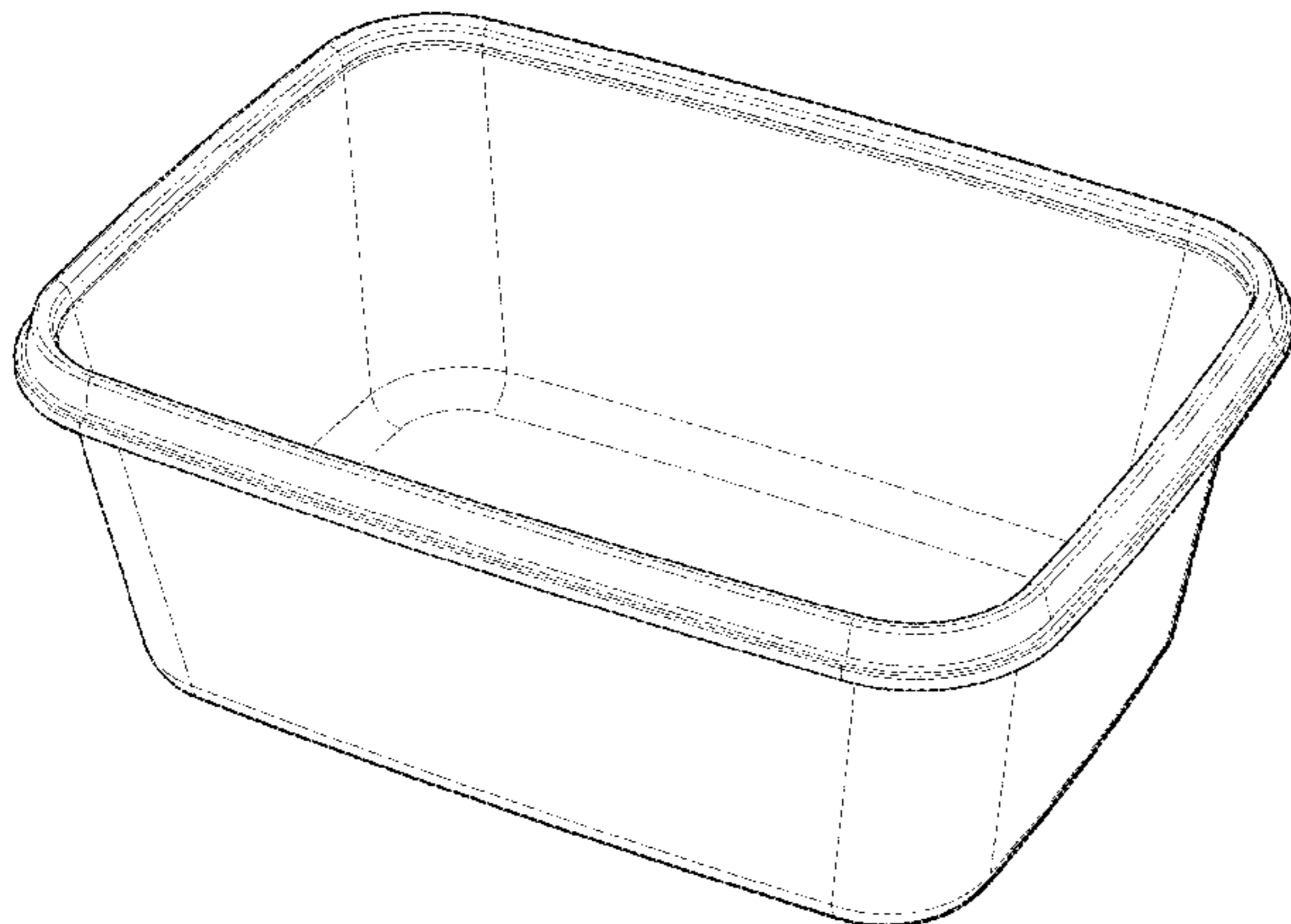
(57) **CLAIM**

The ornamental design for a container, as shown and described.

DESCRIPTION

FIG. 1 is a front perspective view, from above, of the claimed design;
FIG. 2 is a rear perspective view, from below, of the claimed design;
FIG. 3 is a top plan view of the claimed design;
FIG. 4 is a bottom plan view of the claimed design;
FIG. 5 is a front view of the claimed design;
FIG. 6 is a rear view of the claimed design;
FIG. 7 is a left side view of the claimed design; and,
FIG. 8 is a right side view of the claimed design.

1 Claim, 6 Drawing Sheets



(56)

References Cited

U.S. PATENT DOCUMENTS

D630,898 S * 1/2011 de Groote D7/602
 D630,899 S * 1/2011 Samartgis D7/602
 D630,900 S * 1/2011 Samartgis D7/602
 D630,901 S * 1/2011 Samartgis D7/602
 D631,298 S * 1/2011 Samartgis D7/602
 D631,299 S * 1/2011 Samartgis D7/602
 D631,300 S * 1/2011 Samartgis D7/602
 D631,706 S * 2/2011 Samartgis D7/602
 D631,707 S * 2/2011 Samartgis D7/602
 D644,883 S * 9/2011 Samartgis D7/602
 D644,884 S * 9/2011 Samartgis D7/602
 D644,885 S * 9/2011 Samartgis D7/602
 D644,886 S * 9/2011 Samartgis D7/602
 D644,887 S * 9/2011 Samartgis D7/602
 D644,888 S * 9/2011 Samartgis D7/602
 D649,410 S * 11/2011 Segal D7/629
 D649,839 S * 12/2011 Stamper D7/602
 D655,577 S * 3/2012 Samartgis D7/602
 D655,578 S * 3/2012 Samartgis D7/602
 D666,876 S * 9/2012 Rusnak D7/602

8,418,871 B1 * 4/2013 LaMasney B65D 1/34
 220/324
 D697,762 S * 1/2014 Carlson D7/602
 D697,763 S * 1/2014 Carlson D7/602
 D697,764 S * 1/2014 Carlson D7/602
 D698,609 S * 2/2014 Duvigneau D7/602
 D700,480 S * 3/2014 Yessin D7/602
 D700,481 S * 3/2014 Yessin D7/602
 D708,015 S * 7/2014 Carlson D7/602
 D708,016 S * 7/2014 Carlson D7/602
 D708,017 S * 7/2014 Carlson D7/602
 D708,018 S * 7/2014 Carlson D7/602
 D716,613 S * 11/2014 Carlson D7/602
 D717,119 S * 11/2014 Carlson D7/602
 D717,120 S * 11/2014 Carlson D7/602
 D717,121 S * 11/2014 Carlson D7/602
 D717,122 S * 11/2014 Carlson D7/602
 D734,991 S * 7/2015 Carlson D7/602
 D772,058 S * 11/2016 Urushidani D7/602
 2011/0139660 A1 * 6/2011 Cabell B29C 51/162
 206/459.5
 2015/0232242 A1 * 8/2015 Carlson B65D 51/245
 220/367.1

* cited by examiner

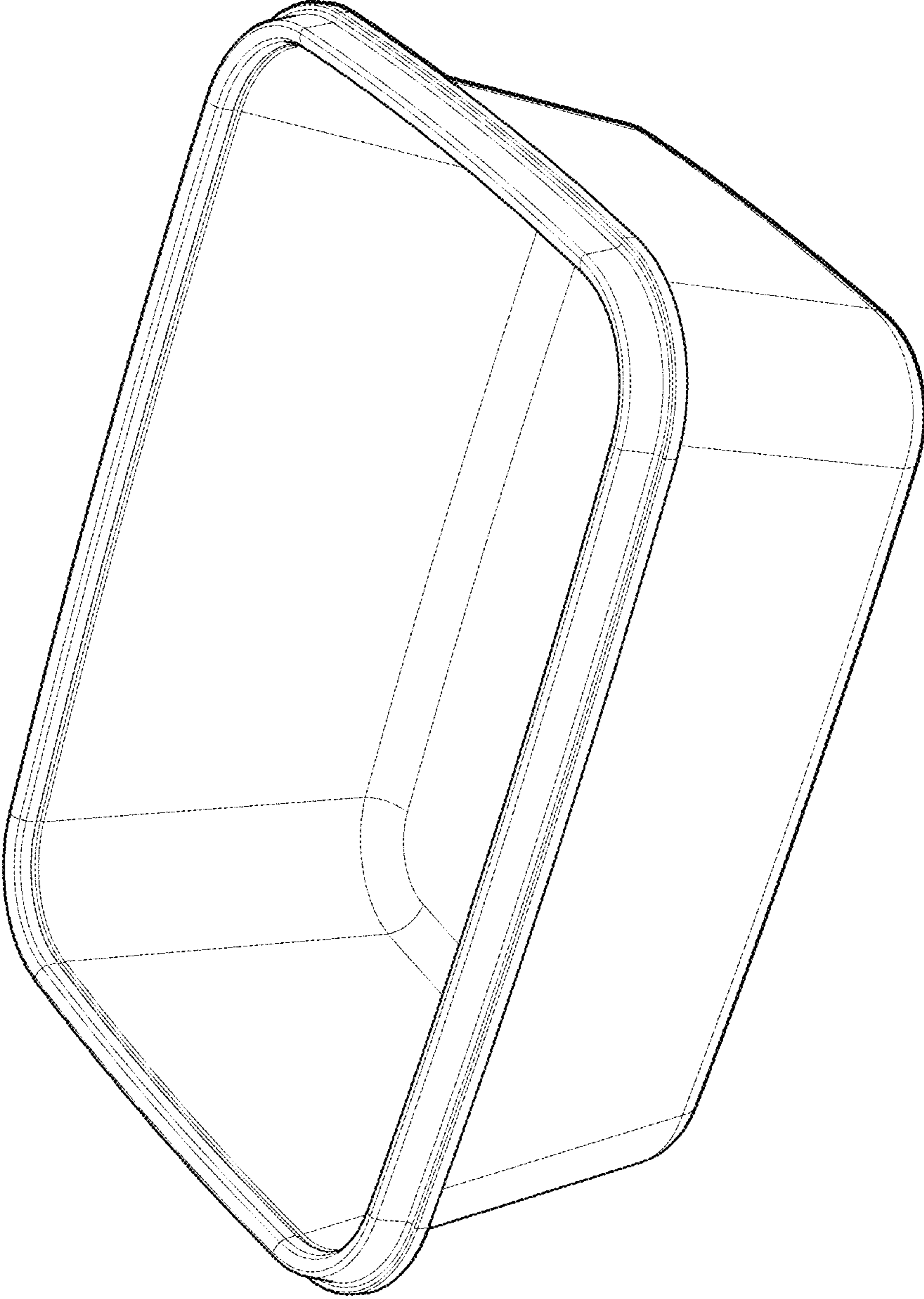


FIG. 1

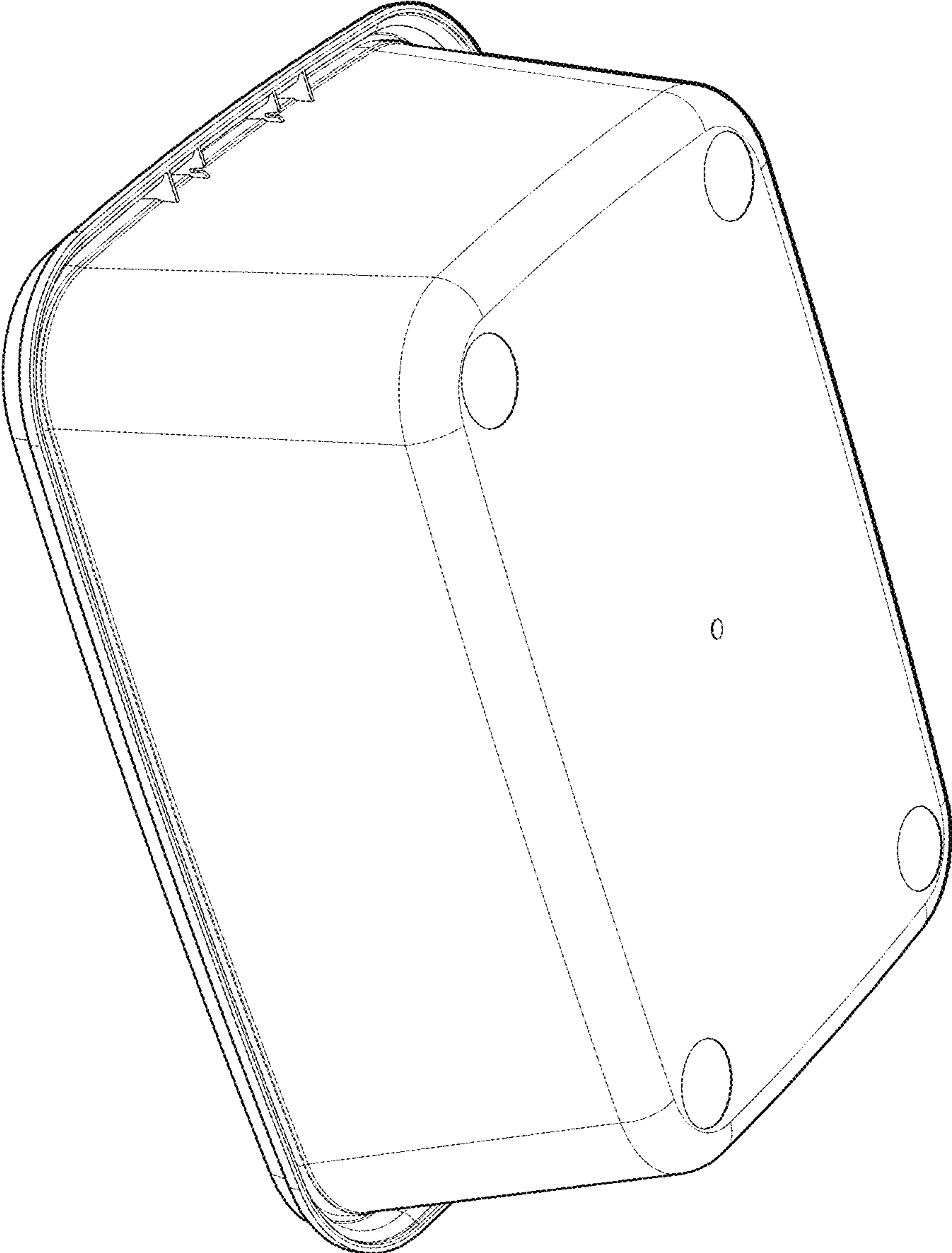


FIG. 2

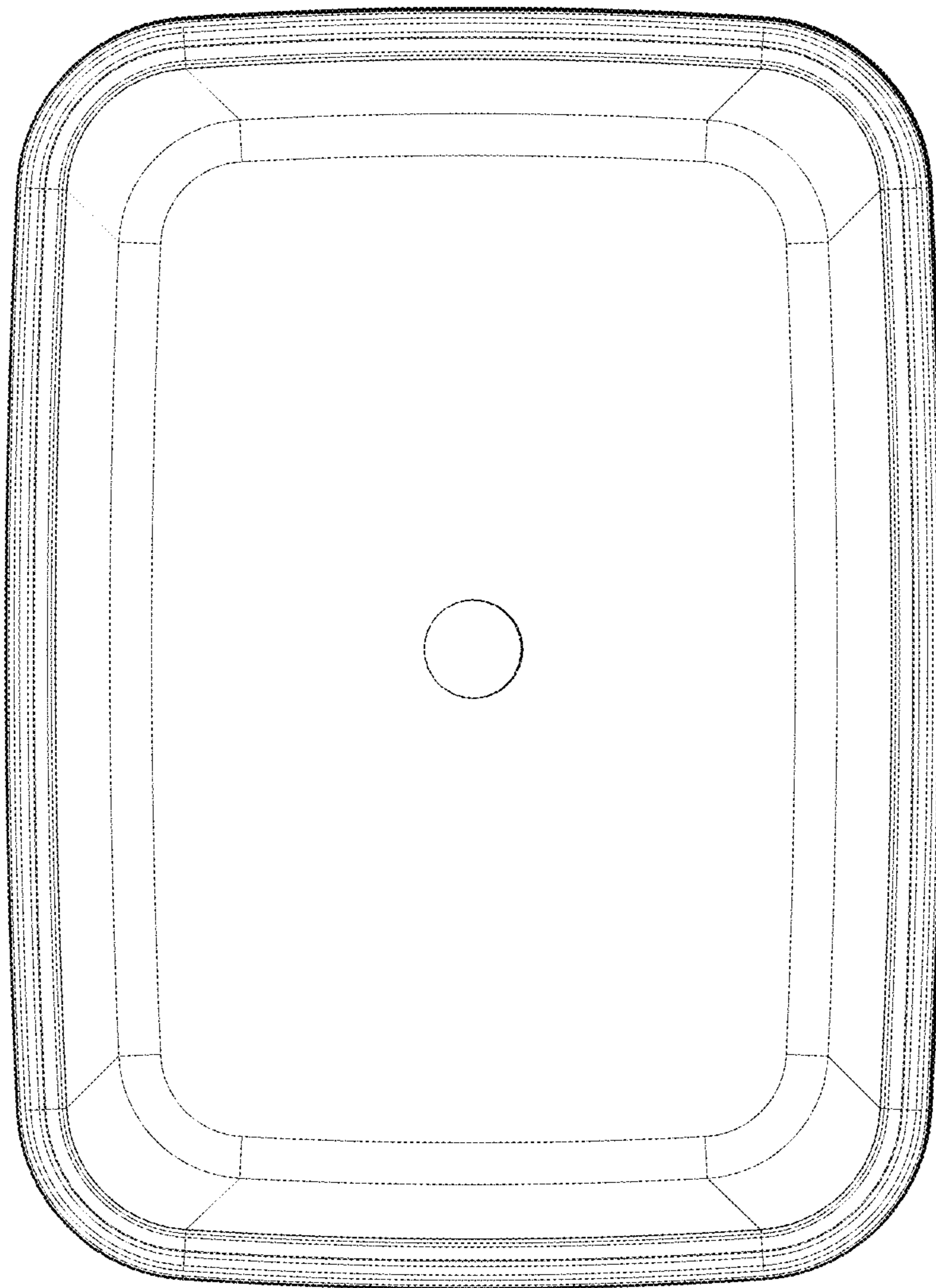


FIG. 3

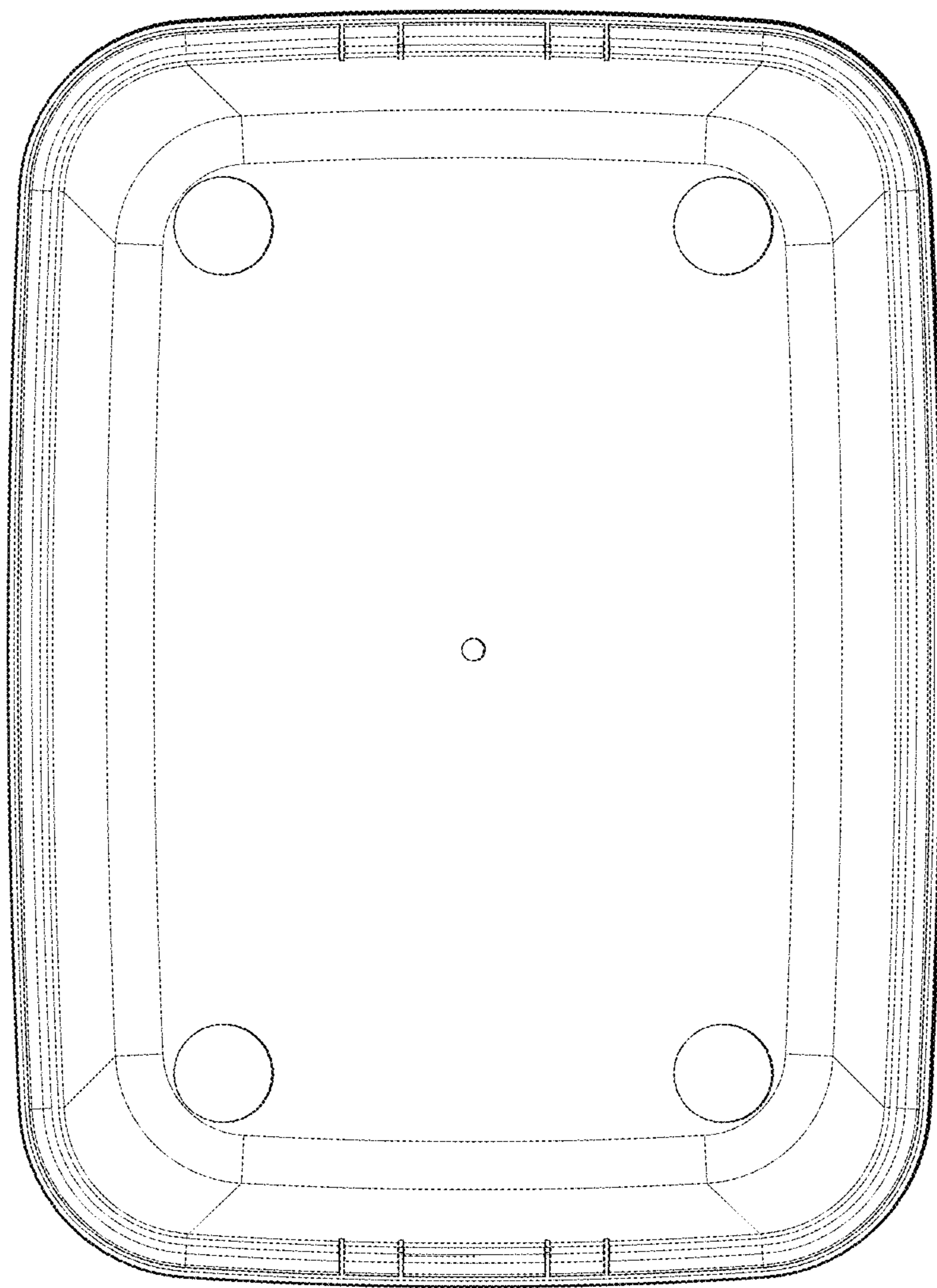


FIG. 4

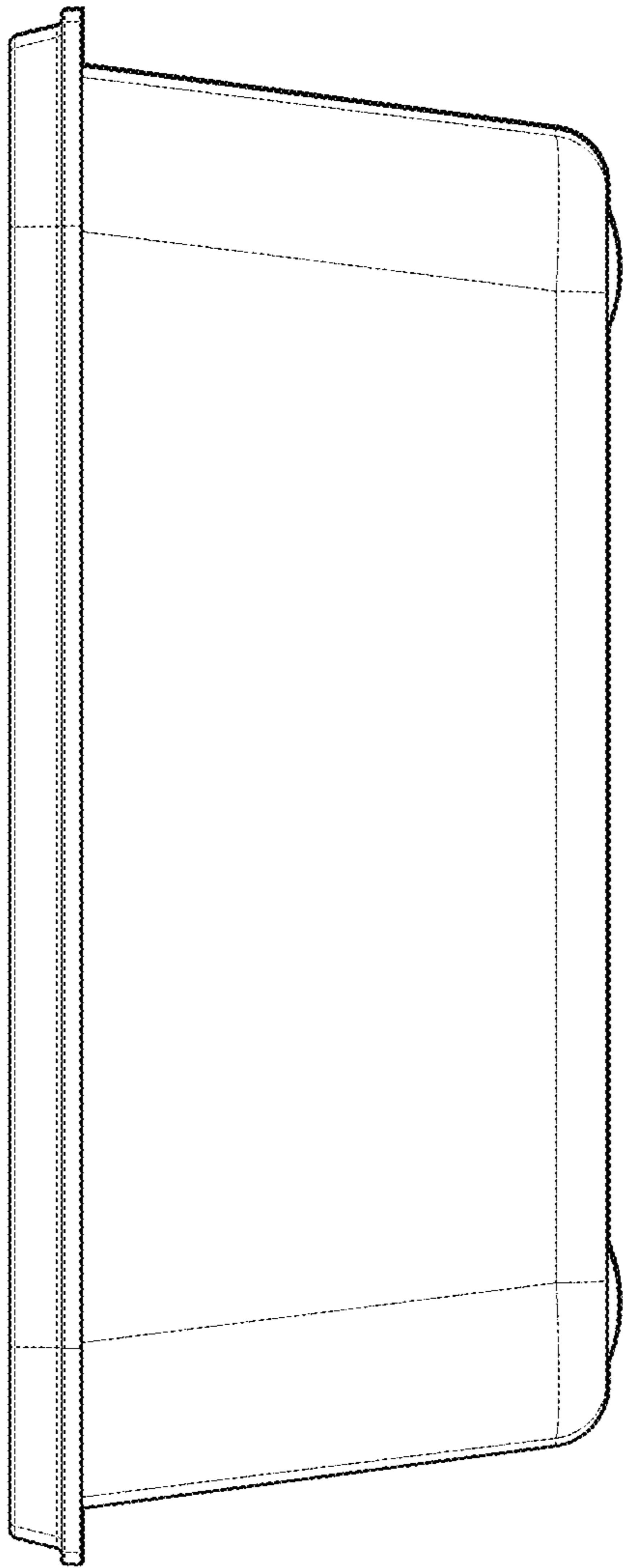


FIG. 5

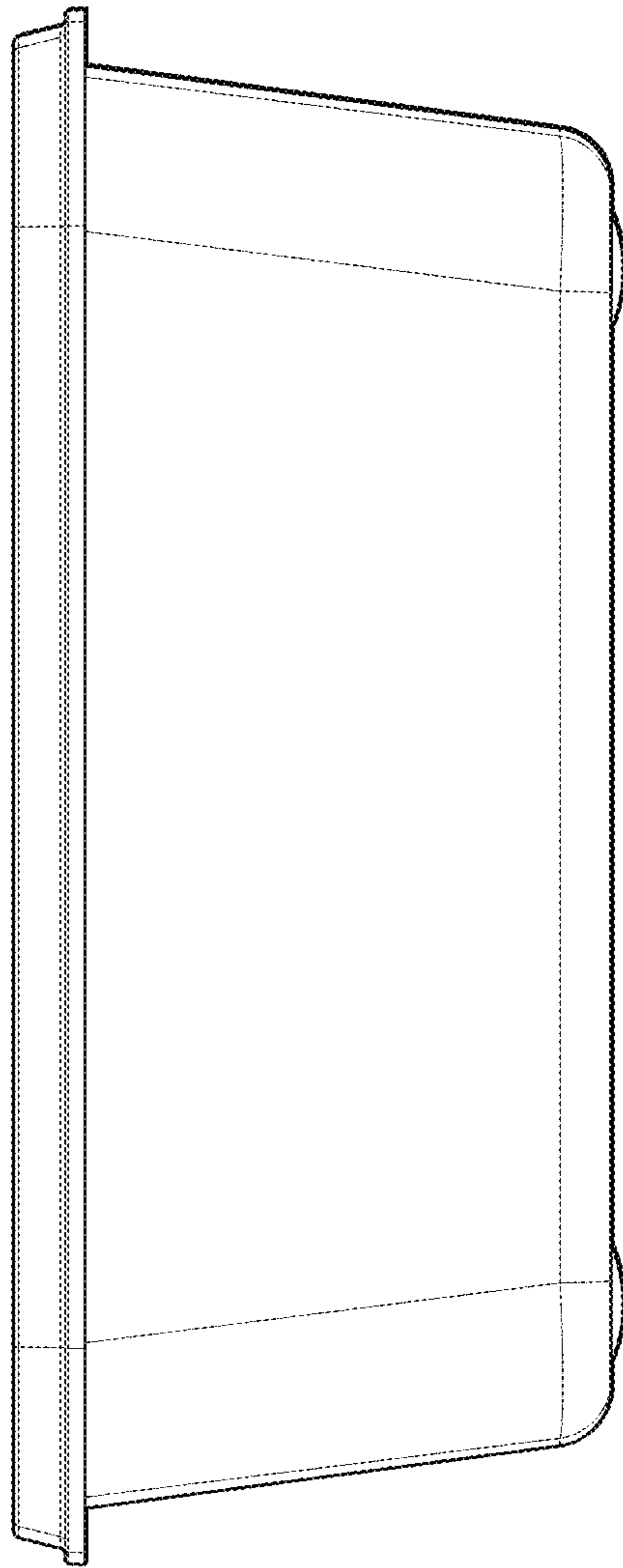


FIG. 6

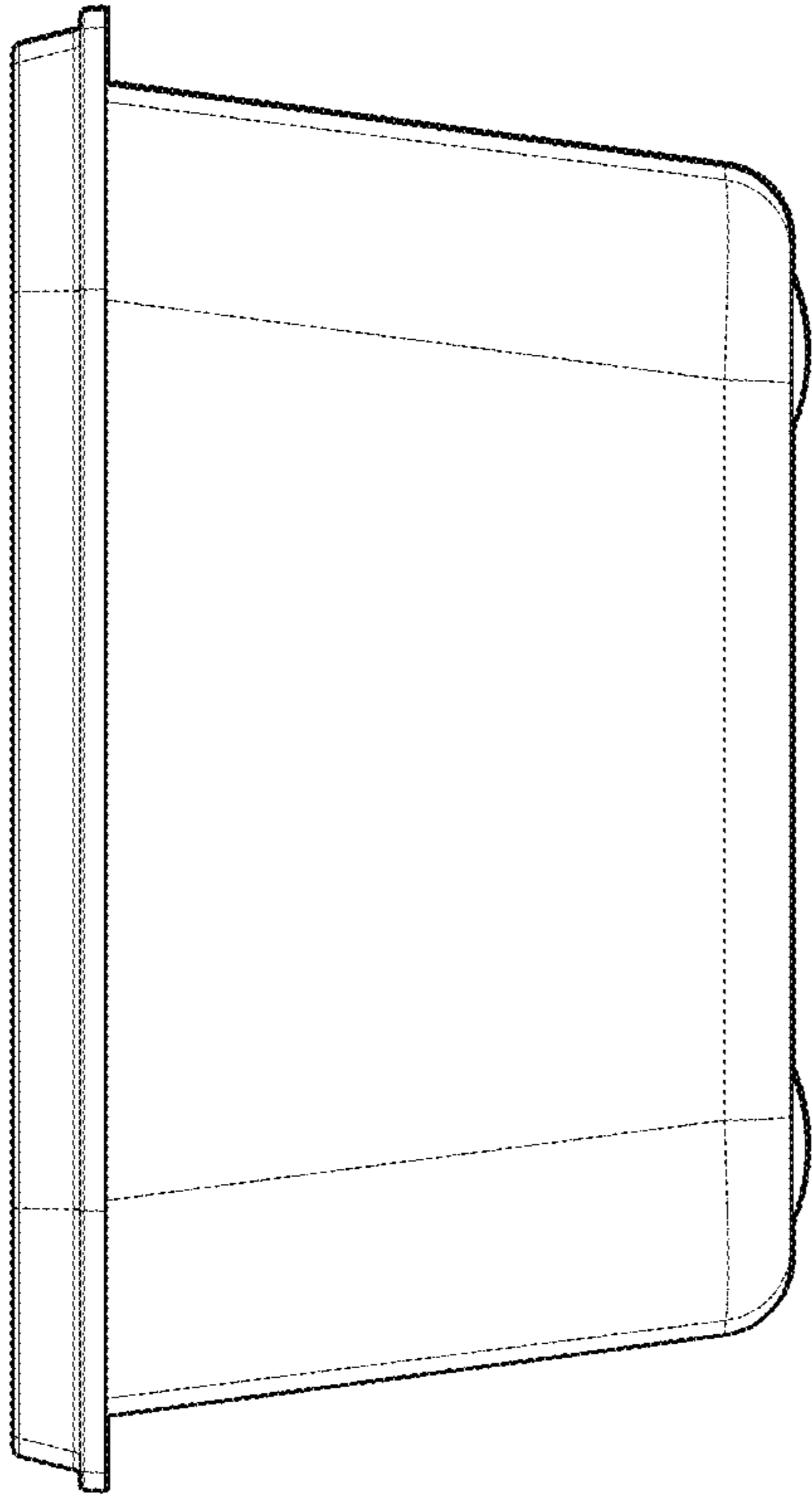


FIG. 7

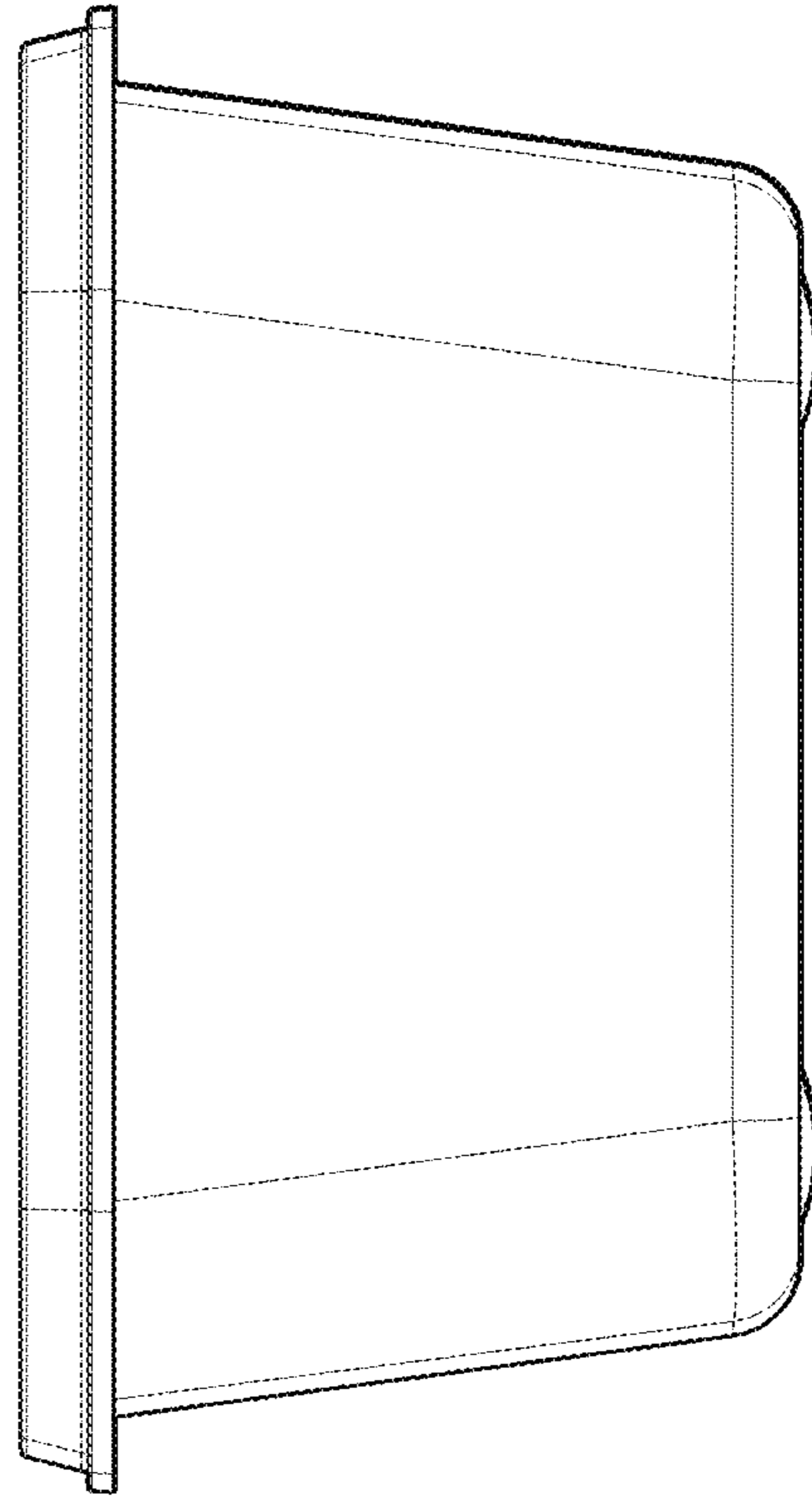


FIG. 8