



US00D787273S

(12) **United States Design Patent** (10) **Patent No.:** **US D787,273 S**
Ortiz (45) **Date of Patent:** **** May 23, 2017**

(54) **PLATE AND LID WITH DIGITAL DISPLAY** 8,932,062 B2 * 1/2015 Oshima G01G 19/50
 434/127
 (71) Applicant: **Fitly Inc.**, Philadelphia, PA (US) 9,018,545 B2 * 4/2015 Wittenberg G01G 19/4144
 177/126
 (72) Inventor: **Caonabo Anthony Ortiz**, Philadelphia, PA (US) 2002/0124017 A1 9/2002 Mault
 2009/0288887 A1 11/2009 Chen
 2010/0038149 A1 2/2010 Corel
 2012/0031805 A1 2/2012 Stolarczyk
 2012/0135383 A1 5/2012 Jang et al.
 2014/0063180 A1 3/2014 Sharma

(**) Term: **14 Years**

FOREIGN PATENT DOCUMENTS

(21) Appl. No.: **29/520,323**

KR 20100085741 7/2010
 TW M455460 7/2013

(22) Filed: **Mar. 13, 2015**

* cited by examiner

(51) **LOC (10) Cl.** **07-01**

(52) **U.S. Cl.**
USPC **D7/541**

Primary Examiner — Cynthia Underwood
 (74) *Attorney, Agent, or Firm* — Eugene H. Nahm

(58) **Field of Classification Search**
 USPC D7/553.6, 541, 538, 500
 CPC A47G 19/2205; A47G 19/30
 See application file for complete search history.

(57) **CLAIM**

The ornamental design for a plate and lid with digital display, as shown and described.

(56) **References Cited**

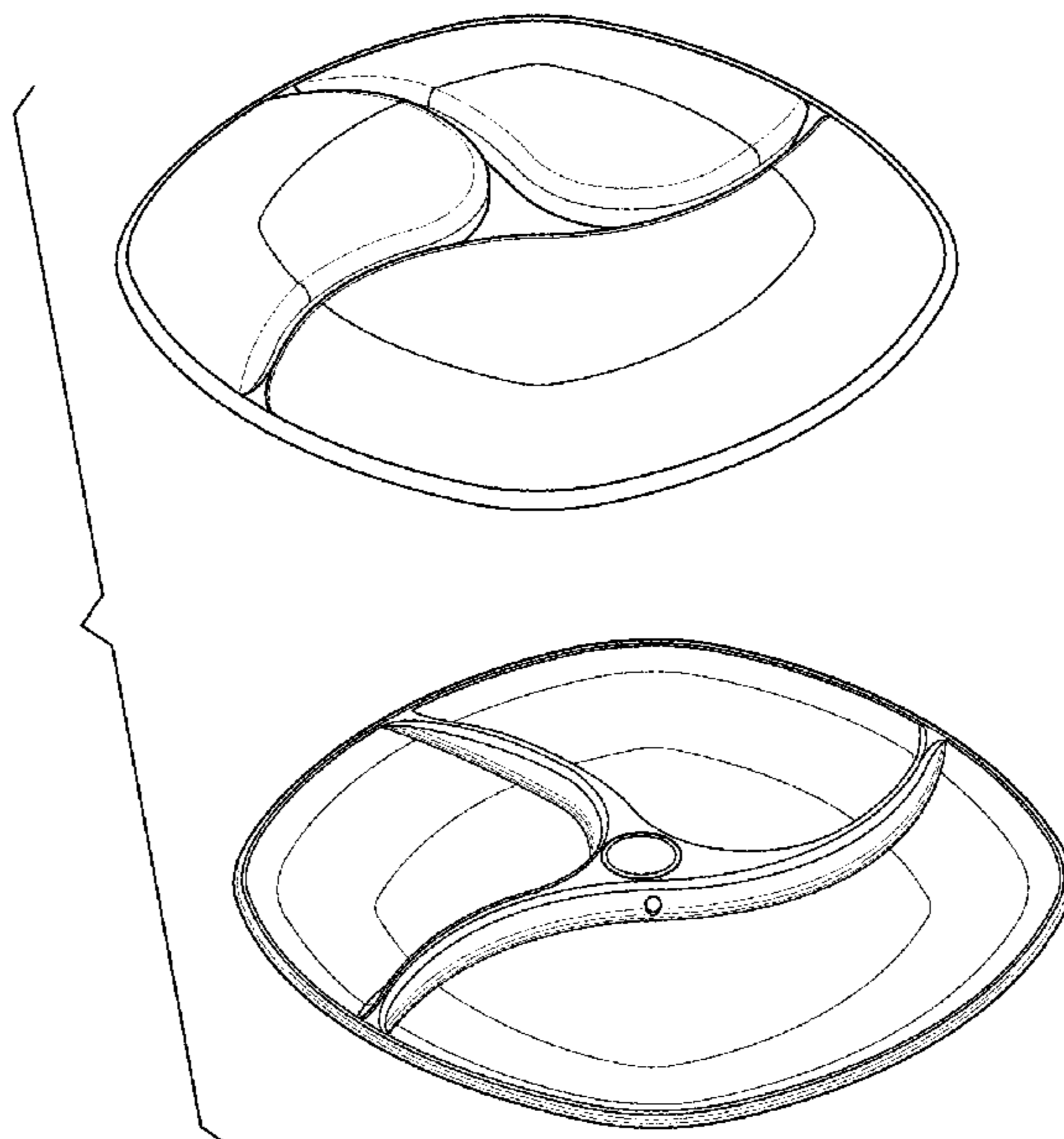
DESCRIPTION

U.S. PATENT DOCUMENTS

6,457,250 B1 10/2002 Mingus et al.
 6,600,805 B2 7/2003 Hansen
 D547,127 S * 7/2007 Haughton D7/553.6
 D562,078 S * 2/2008 Herssein D7/500
 7,337,943 B2 * 3/2008 Johns B31B 43/00
 206/459.1
 D586,623 S 2/2009 Dunn
 D587,971 S * 3/2009 Peabody D7/500
 7,550,683 B2 6/2009 Daughtry
 D604,992 S * 12/2009 Klein D7/392.1
 D620,318 S * 7/2010 Bizzell D7/541
 7,851,711 B2 12/2010 Rump
 D674,666 S 1/2013 Pallotto
 8,636,516 B2 1/2014 Batsikouras
 D706,387 S 6/2014 Chen et al.
 8,770,983 B2 7/2014 Batsikouras

FIG. 1 is a perspective view of a plate and lid with digital display showing my new design;
 FIG. 2 is a right side elevation view of the plate and lid with digital display;
 FIG. 3 is a left side elevation view of the plate and lid with digital display;
 FIG. 4 is a rear elevation view of the plate and lid with digital display;
 FIG. 5 is a front elevation view of the plate and lid with digital display; and,
 FIG. 6 is a top plan view of the plate and lid with digital display.

1 Claim, 4 Drawing Sheets



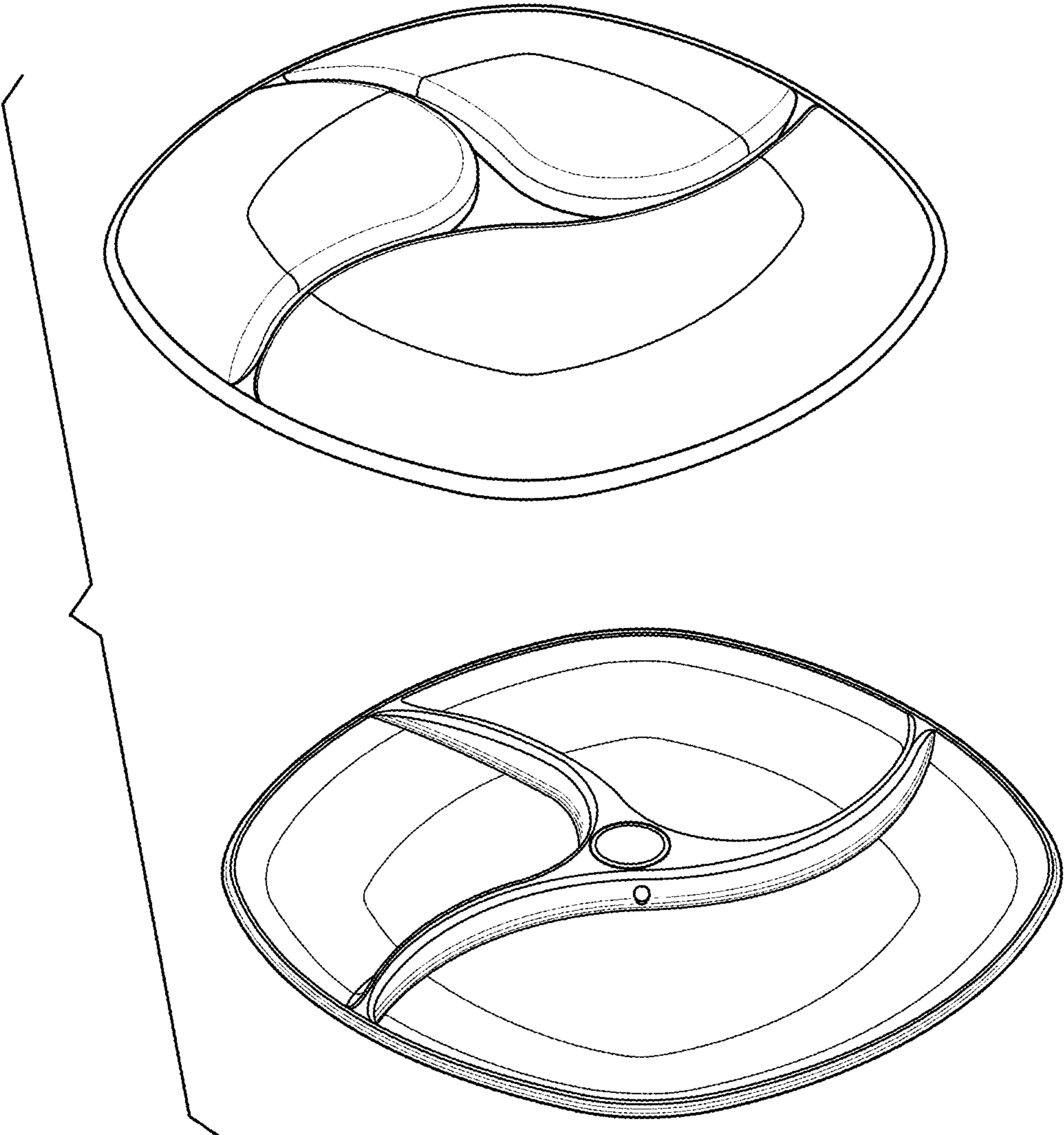


Fig. 1

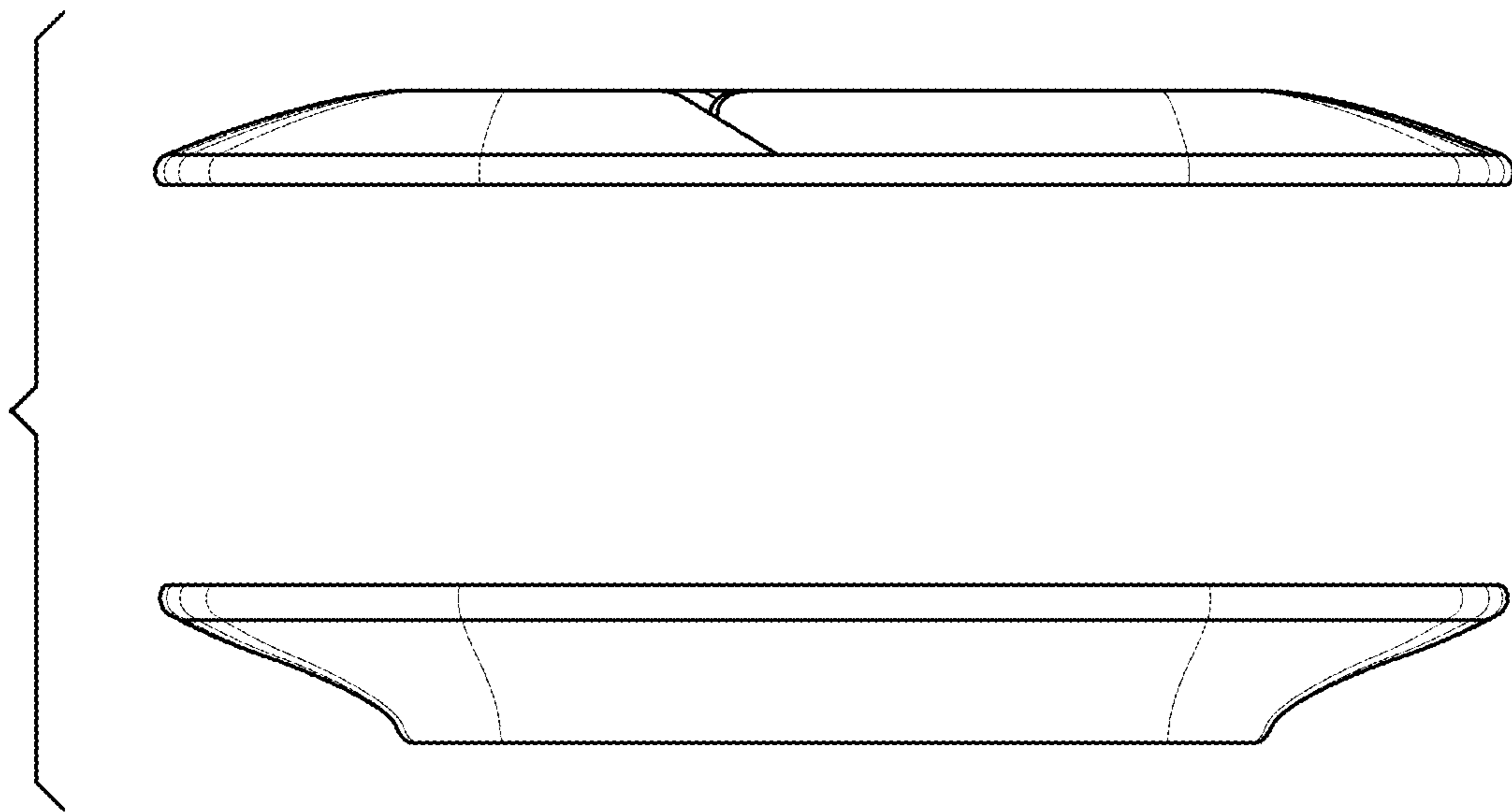


Fig. 2

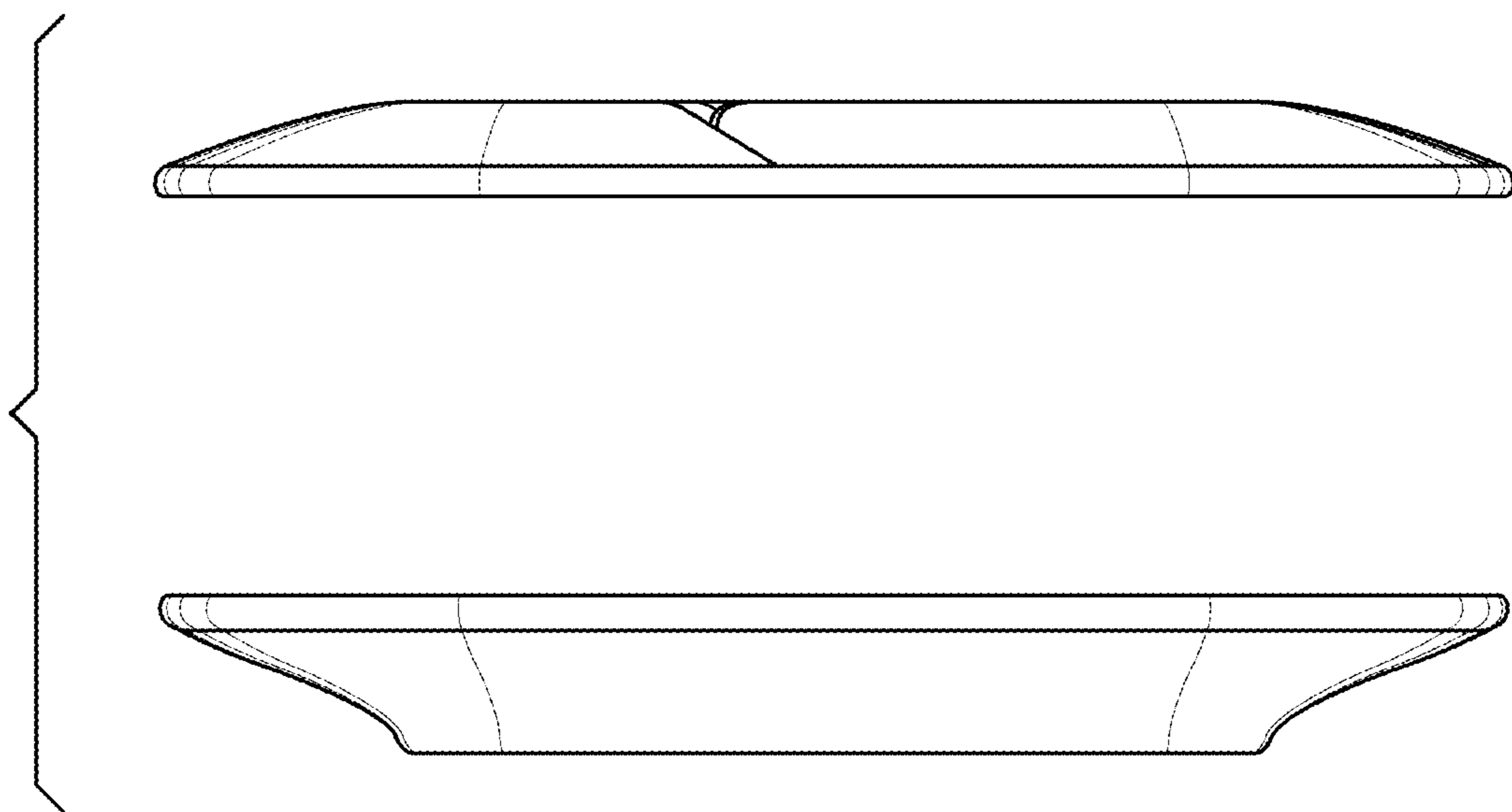


Fig. 3

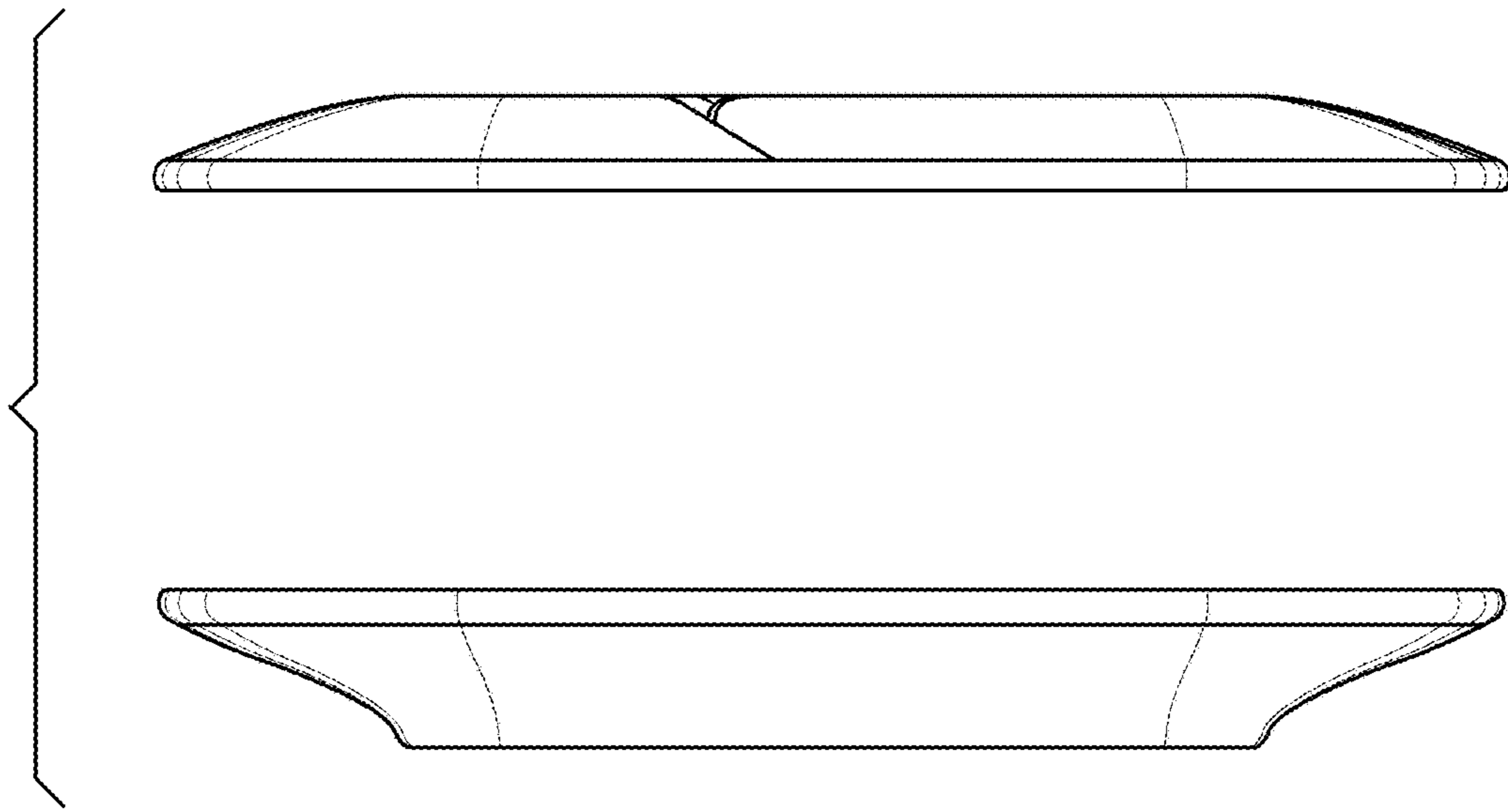


Fig. 4

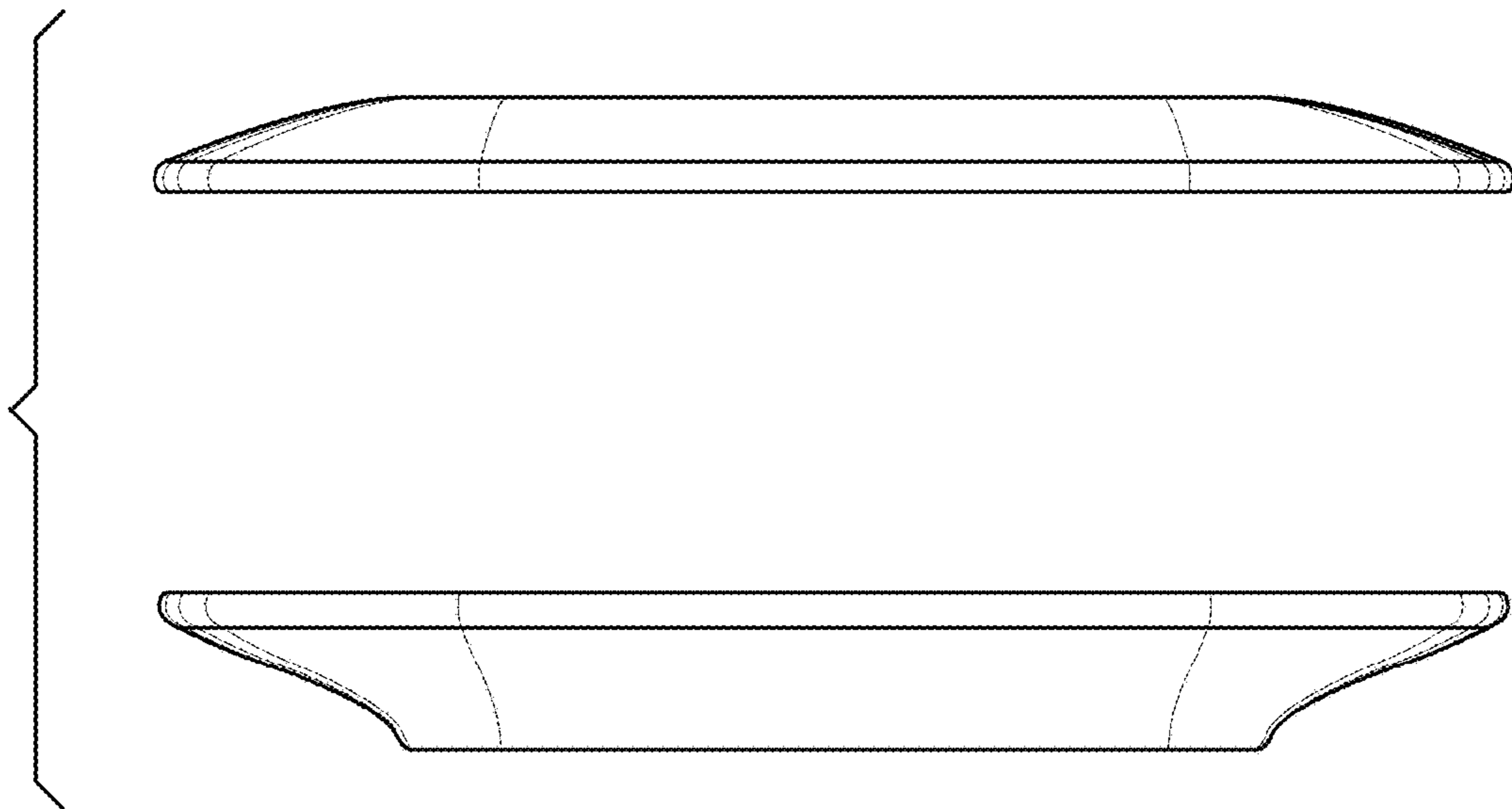


Fig. 5

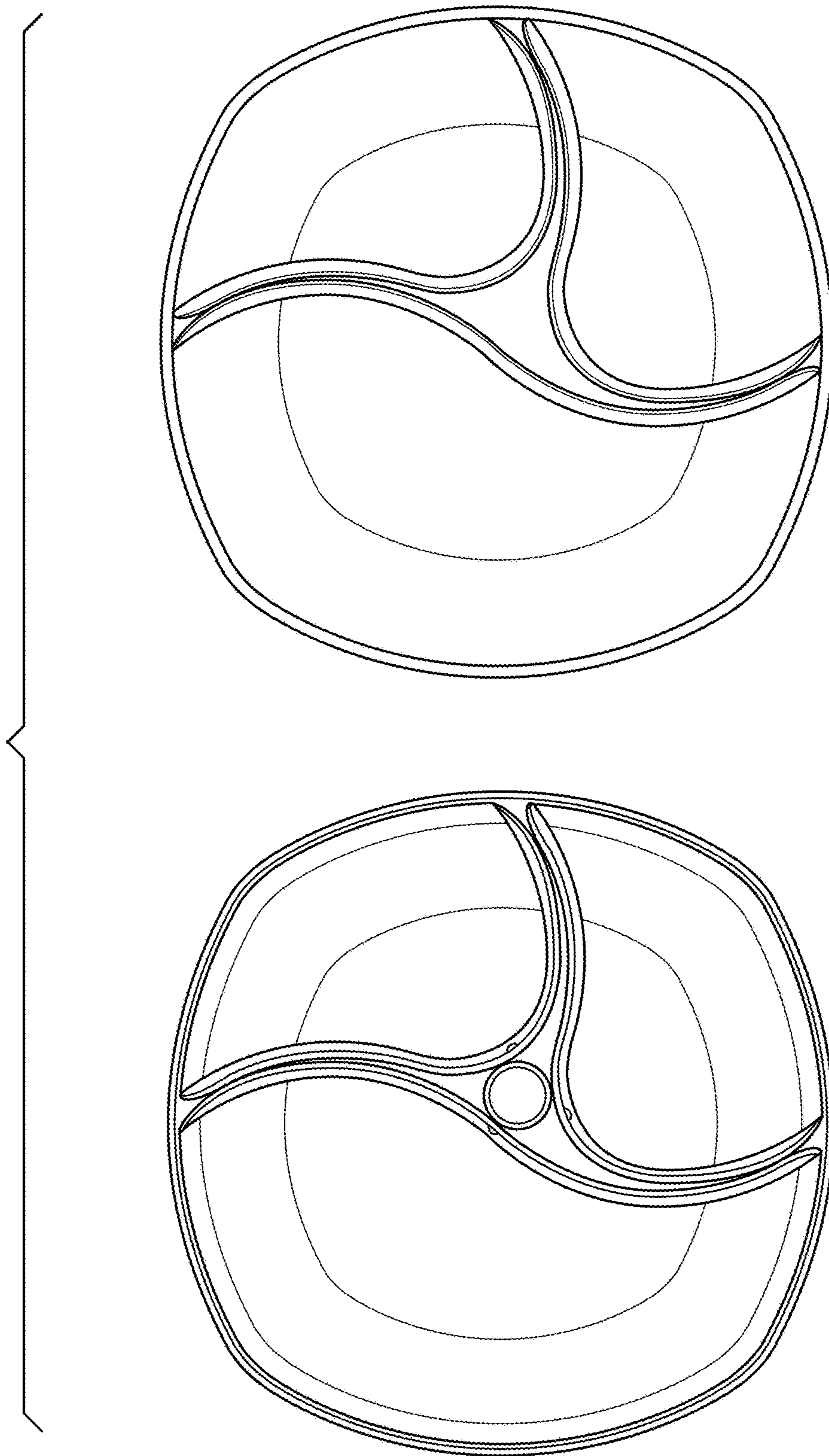


Fig. 6