



US00D787267S

(12) **United States Design Patent** (10) **Patent No.:** **US D787,267 S**
Maas et al. (45) **Date of Patent:** **** May 23, 2017**

(54) **DISPENSING BOTTLE**

(71) Applicant: **Arrow Home Products Company**, Elk Grove Village, IL (US)

(72) Inventors: **David Maas**, Wheaton, IL (US); **Robert Kleckauskas**, St. Charles, IL (US); **John P. Coursey**, Chicago, IL (US); **Bruce Ronner**, Glencoe, IL (US); **Rita Sifuentes**, Melrose Park, IL (US); **Valorie Boldrey Langille**, Glen Ellyn, IL (US); **Charles A. Brewer**, St. Charles, IL (US); **Jeffrey M. Fish**, Perrysburg, OH (US); **Kyle Cauwels**, Medinah, IL (US); **Janis Faciszewski**, Chicago, IL (US)

(73) Assignee: **Arrow Home Products Company**, Elk Grove Village, IL (US)

(**) Term: **15 Years**

(21) Appl. No.: **29/539,738**

(22) Filed: **Sep. 17, 2015**

(51) **LOC (10) Cl.** **07-01**

(52) **U.S. Cl.**
USPC **D7/510**; D7/511; D7/529; D7/536;
D9/554; D9/552

(58) **Field of Classification Search**
USPC D7/509, 510, 511, 523, 529, 531, 532,
D7/533, 535, 536, 392.1, 396.2, 387, 543,
D7/608; D8/33, 34; 220/592.16, 592.17,
220/295.03, 718, 719, 495.03, 62.12,
220/710.5; D9/517, 567, 554, 555, 558,
D9/503, 504, 552, 540
CPC .. B25B 13/52; B67B 7/00; B67B 7/14; B67B
7/16; A47G 19/22; A47G 19/2227; A45F
3/20

See application file for complete search history.

(56) **References Cited**

U.S. PATENT DOCUMENTS

D71,918 S *	1/1927	Krick	D9/550
D224,383 S *	7/1972	Mascia	D9/552
D355,130 S *	2/1995	Bompard	D9/552
D443,826 S *	6/2001	Gnann	D9/537
D503,341 S *	3/2005	Delmotte	D9/538
D508,185 S *	8/2005	Gauss	D7/392.1
D544,311 S *	6/2007	Goto	D7/608
D556,513 S *	12/2007	Yelland	D7/516
D584,628 S *	1/2009	Lepoitevin	B65D 1/0223 D9/520
D585,700 S *	2/2009	Chu	D7/396.2
D619,897 S *	7/2010	Arnell	D9/516
D623,012 S *	9/2010	White	D7/396.2
D663,209 S *	7/2012	Maas	D7/510
D687,262 S *	8/2013	Bucceri	A47G 19/2288 D7/509
D704,986 S *	5/2014	Manies	D7/392
D726,502 S *	4/2015	Broen	D7/509
D734,640 S *	7/2015	Broen	D7/509
D738,738 S *	9/2015	Helfrich	D9/545

(Continued)

Primary Examiner — Marianne Pandozzi

Assistant Examiner — Jae Liang

(74) *Attorney, Agent, or Firm* — Wood, Phillips, Katz,
Clark & Mortimer

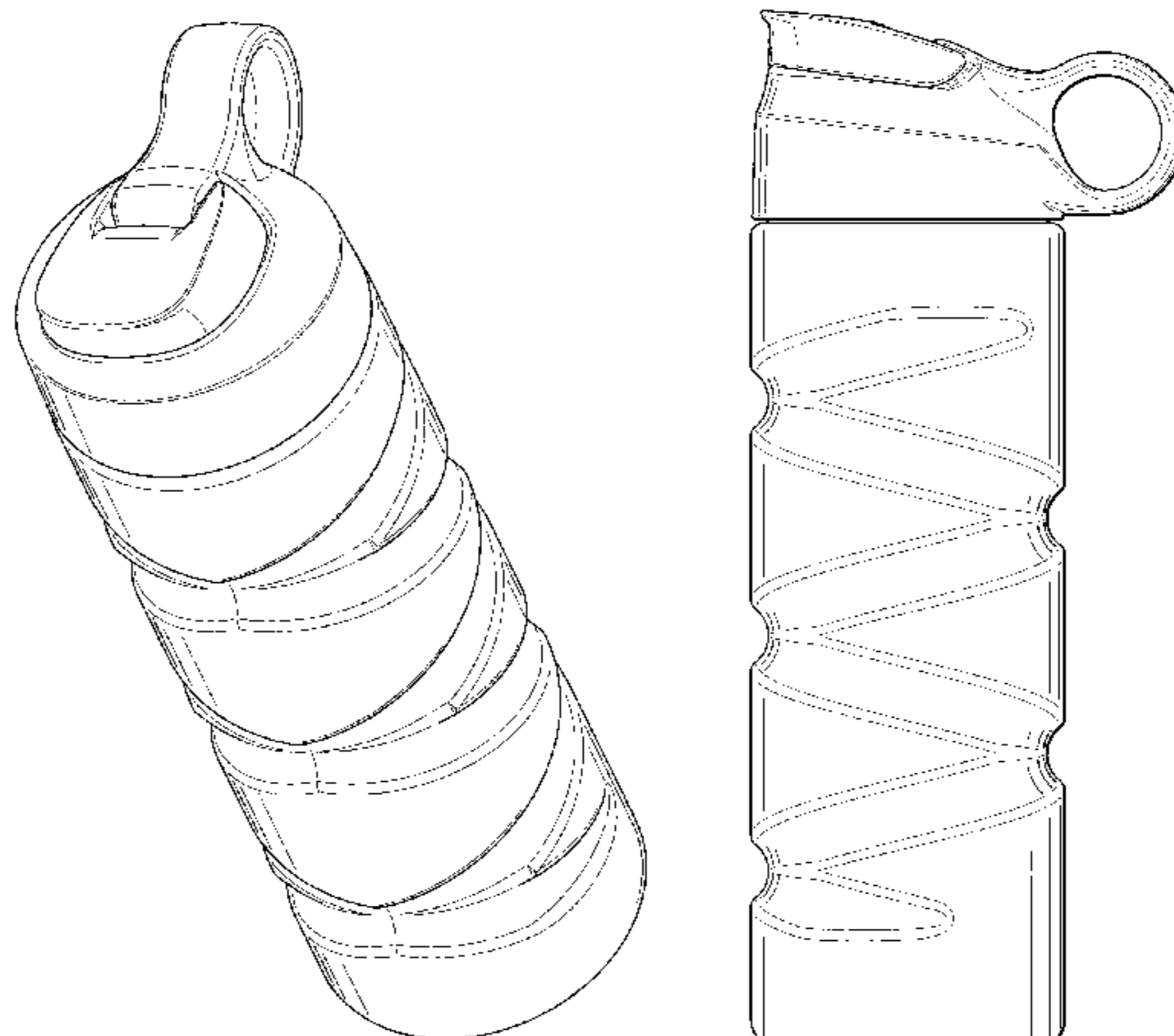
(57) **CLAIM**

The ornamental design for a dispensing bottle, as shown and described.

DESCRIPTION

FIG. 1 is a top isometric view of a dispensing bottle showing our new design;
FIG. 2 is a front elevational view thereof;
FIG. 3 is a rear elevational view thereof;
FIG. 4 is a side elevational view thereof;
FIG. 5 is an opposite side elevational view thereof; and,
FIG. 6 is a top plan view thereof.

1 Claim, 6 Drawing Sheets



(56)

References Cited

U.S. PATENT DOCUMENTS

D751,406 S * 3/2016 Raghupati D9/516
D755,562 S * 5/2016 Lindsay D7/392.1
D765,472 S * 9/2016 Metaxatos D7/396.4
D767,993 S * 10/2016 Joshi D9/538

* cited by examiner

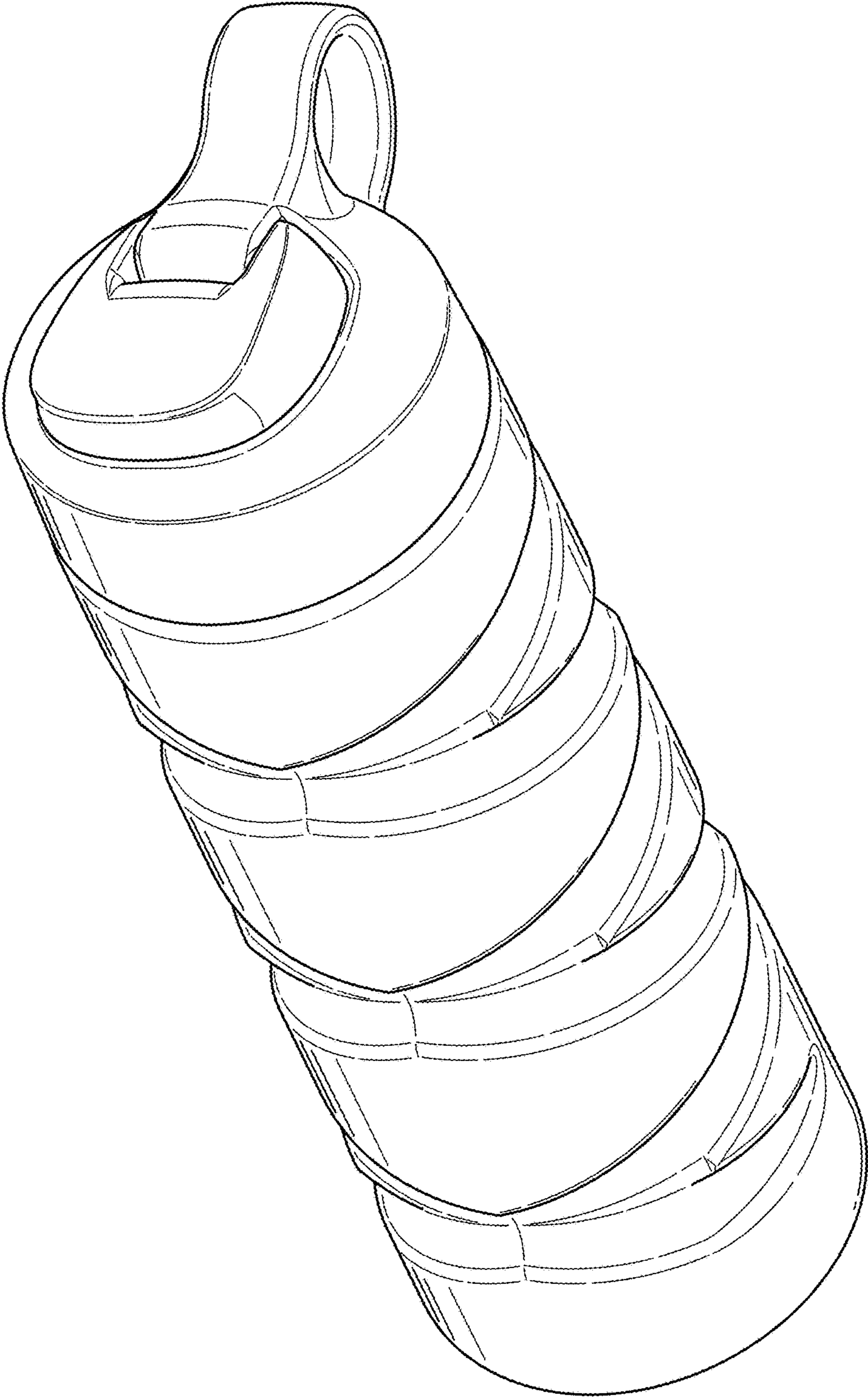


FIG. 1

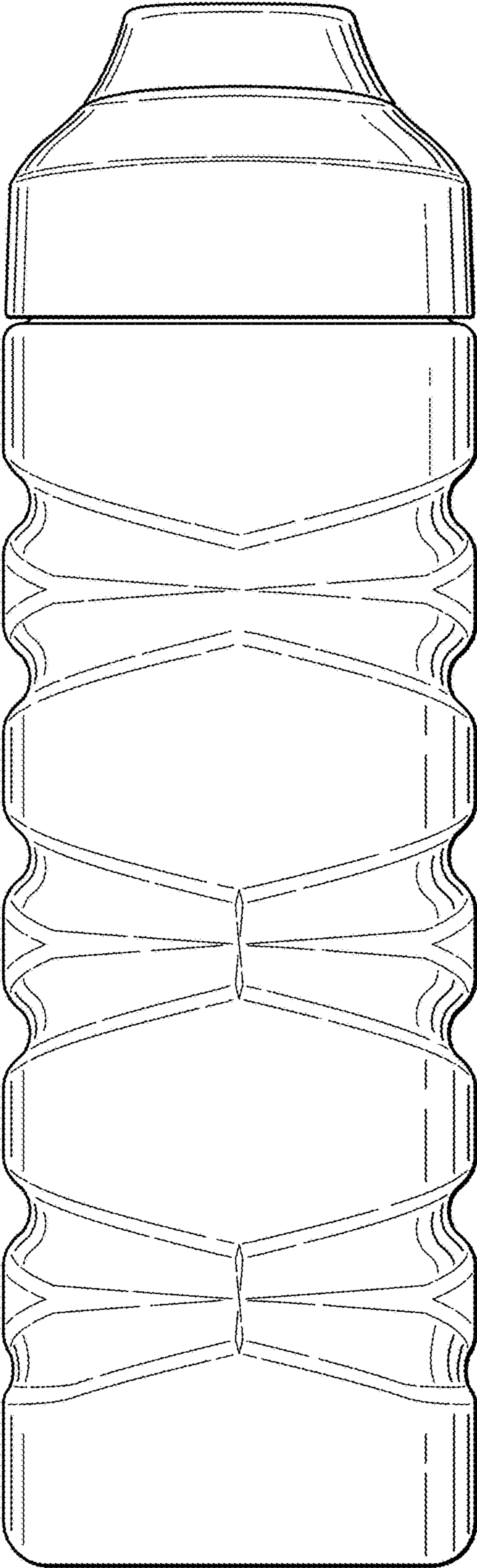


FIG. 2

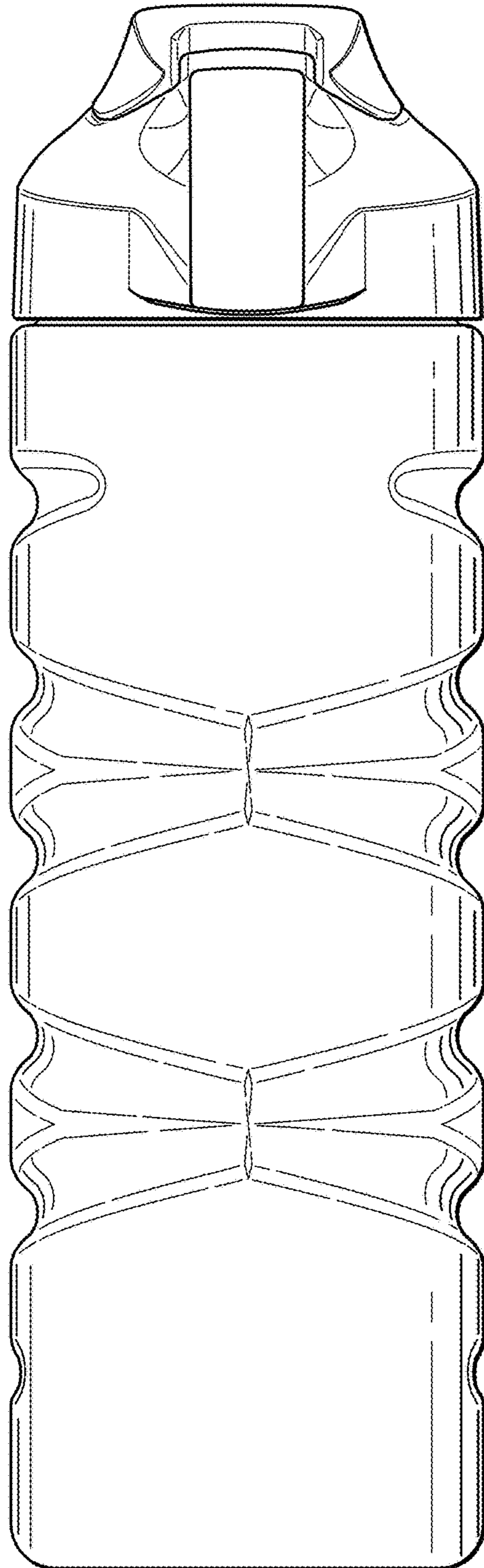


FIG. 3

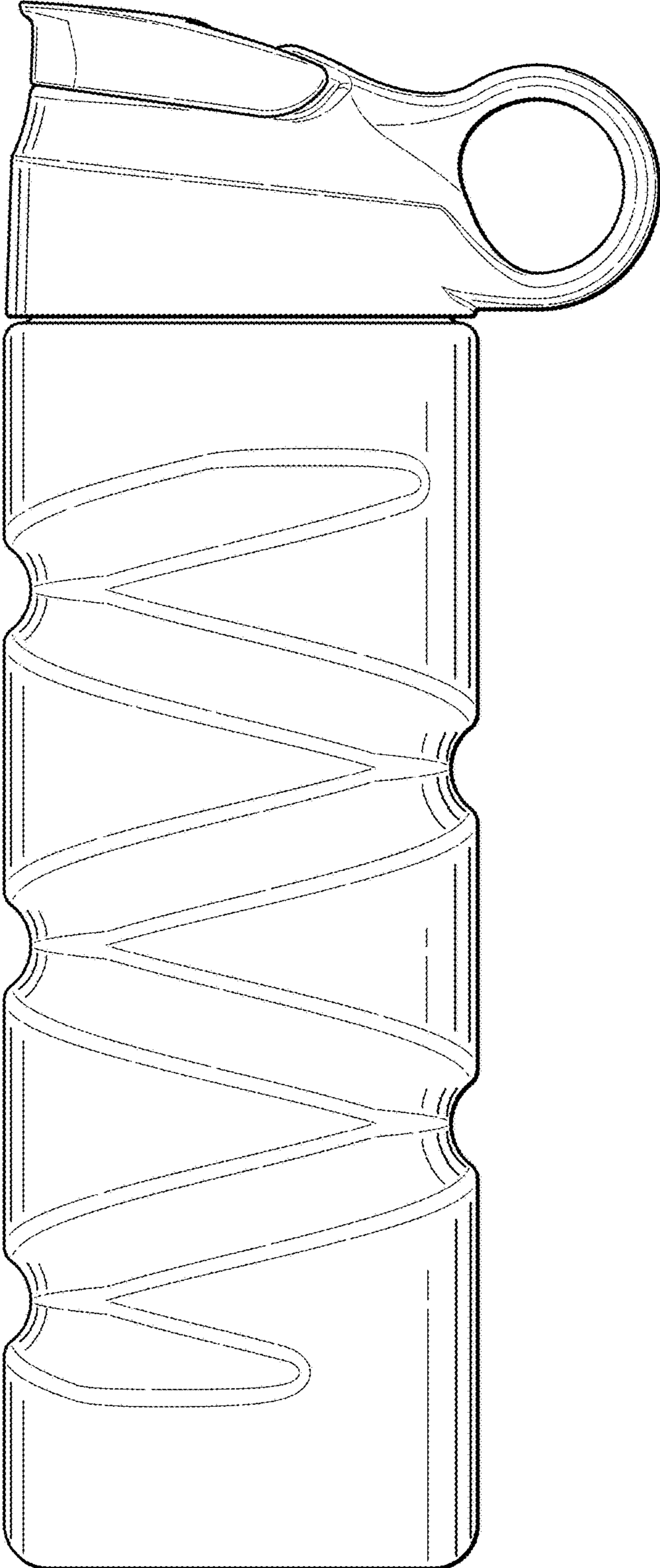


FIG. 4

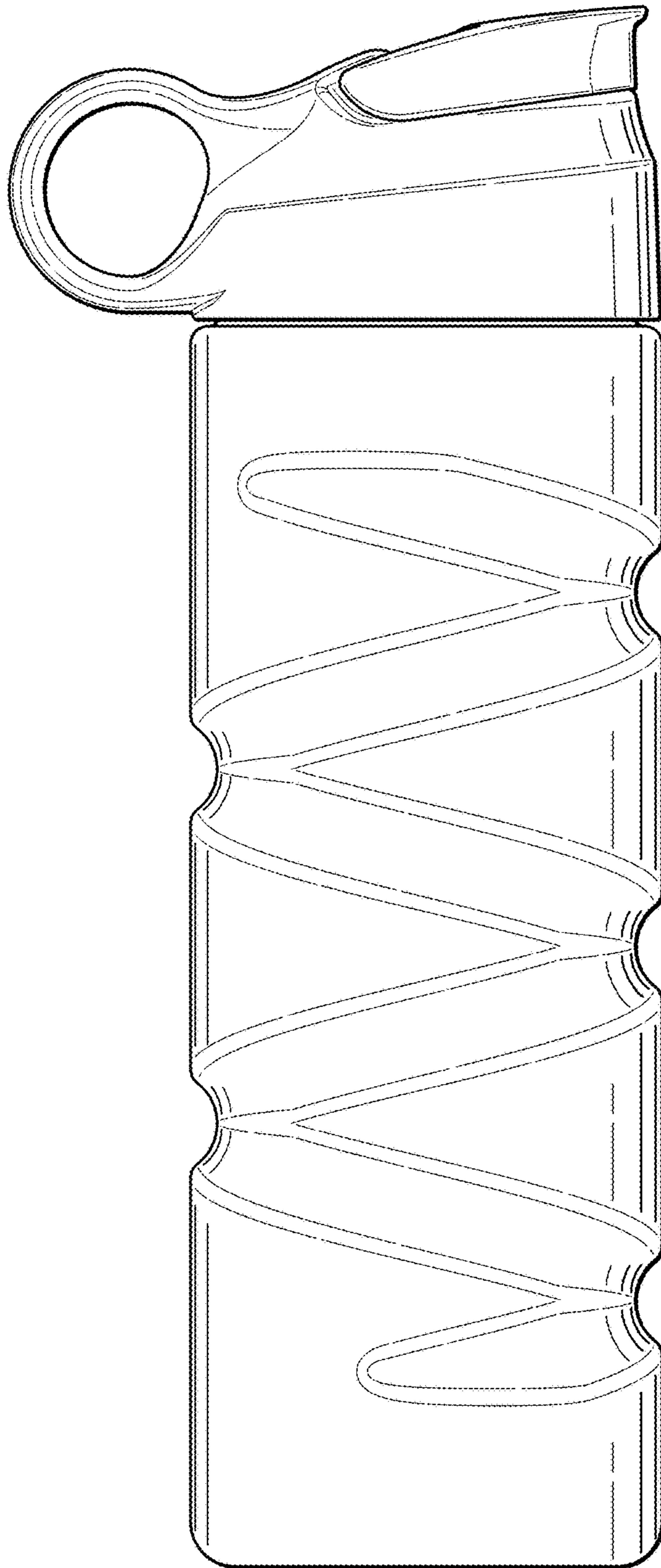


FIG. 5

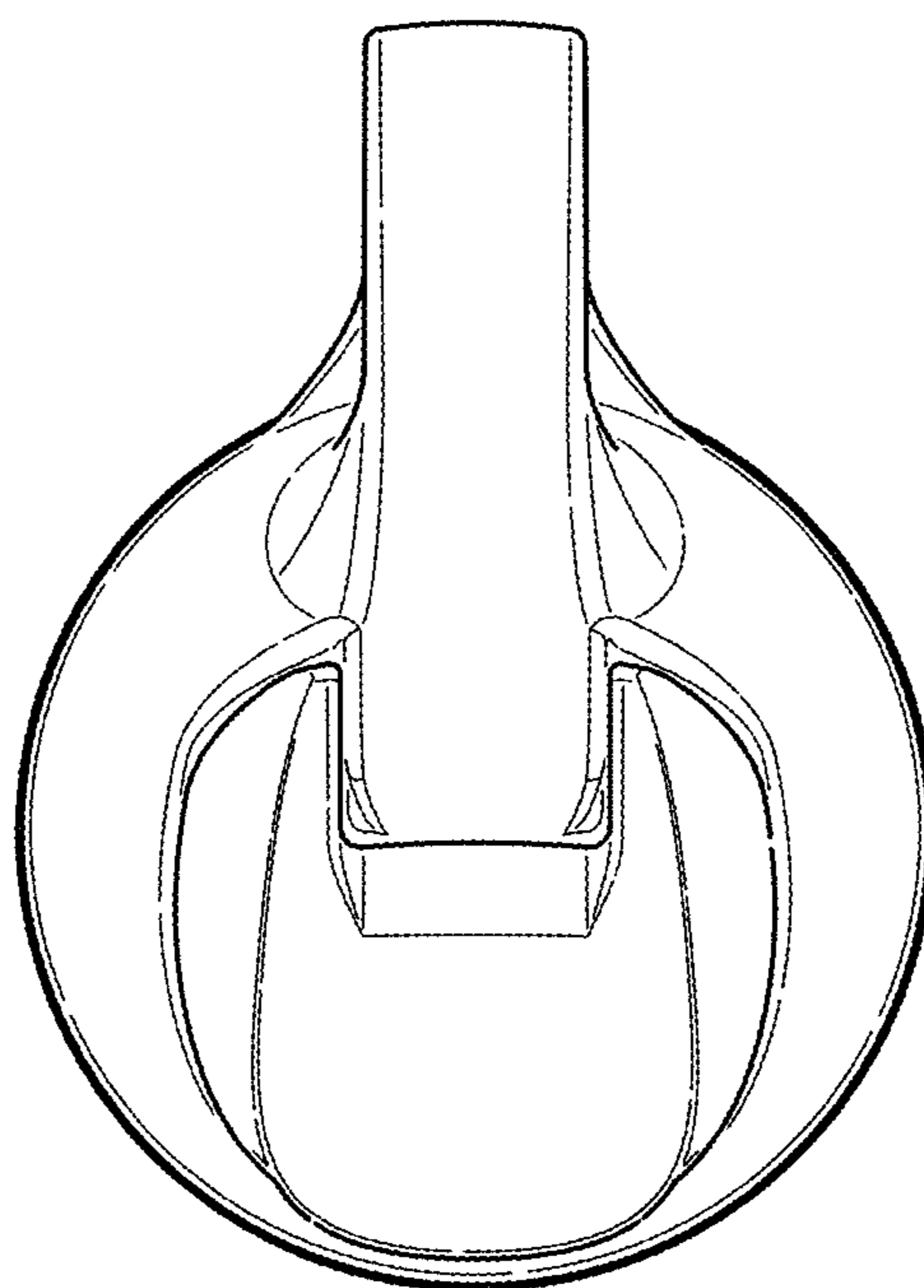


FIG. 6