



US00D787265S

(12) **United States Design Patent**  
**Neff**

(10) **Patent No.:** **US D787,265 S**

(45) **Date of Patent:** **\*\* May 23, 2017**

(54) **ROASTING DEVICE HANDLE**

D588,419 S \* 3/2009 Lu ..... D7/683  
D615,145 S \* 5/2010 Herald ..... D22/118  
D636,234 S \* 4/2011 Lion ..... D7/683

(71) Applicant: **Zachary S. Neff**, Salt Lake City, UT  
(US)

(72) Inventor: **Zachary S. Neff**, Salt Lake City, UT  
(US)

(\*\*) Term: **15 Years**

(21) Appl. No.: **29/542,761**

(22) Filed: **Oct. 16, 2015**

(51) **LOC (10) Cl.** ..... **07-02**

(52) **U.S. Cl.**  
USPC ..... **D7/394; D7/684**

(58) **Field of Classification Search**  
USPC ..... D7/381, 394, 683, 684; D22/117, 118;  
D21/568  
CPC ..... A47J 43/18; A47J 37/041; A22C 17/006;  
A22C 17/0066  
See application file for complete search history.

(56) **References Cited**

**U.S. PATENT DOCUMENTS**

- 35,292 A \* 5/1862 Bogia ..... B26B 3/00  
16/421
- 2,803,087 A \* 8/1957 Zalkind ..... A63H 33/00  
446/473
- 2,935,013 A \* 5/1960 Onori ..... A47J 37/0694  
30/295
- D192,338 S \* 3/1962 Farber ..... D11/47
- 3,217,635 A \* 11/1965 Scavullo ..... A47J 43/283  
16/422
- 5,127,871 A \* 7/1992 Miller ..... A63H 33/009  
446/473
- D438,069 S \* 2/2001 Williamson ..... D7/684
- 6,565,484 B1 \* 5/2003 Reinhardt ..... F41B 13/02  
446/473
- D482,938 S \* 12/2003 Renault ..... D7/683
- 7,401,409 B2 \* 7/2008 Jenkins ..... A23L 27/00  
294/51

**OTHER PUBLICATIONS**

Swashbuckler BBQ Sword, online from Homewetbar.com, reviewed online Oct. 8, 2009; <url: http://www.homewetbar.com/Swashbuckling-BBQ-Sword-p-999.html#ReviewHeader>.\*  
BBQ Sword for sale on Menkind.com. URL: <http://www.menkind.co.uk/bbq-sword>, accessed Oct. 24, 2016.

(Continued)

*Primary Examiner* — Cynthia M Chin

(74) *Attorney, Agent, or Firm* — Durham Jones & Pinegar; Randall B. Bateman; Sarah W. Matthews

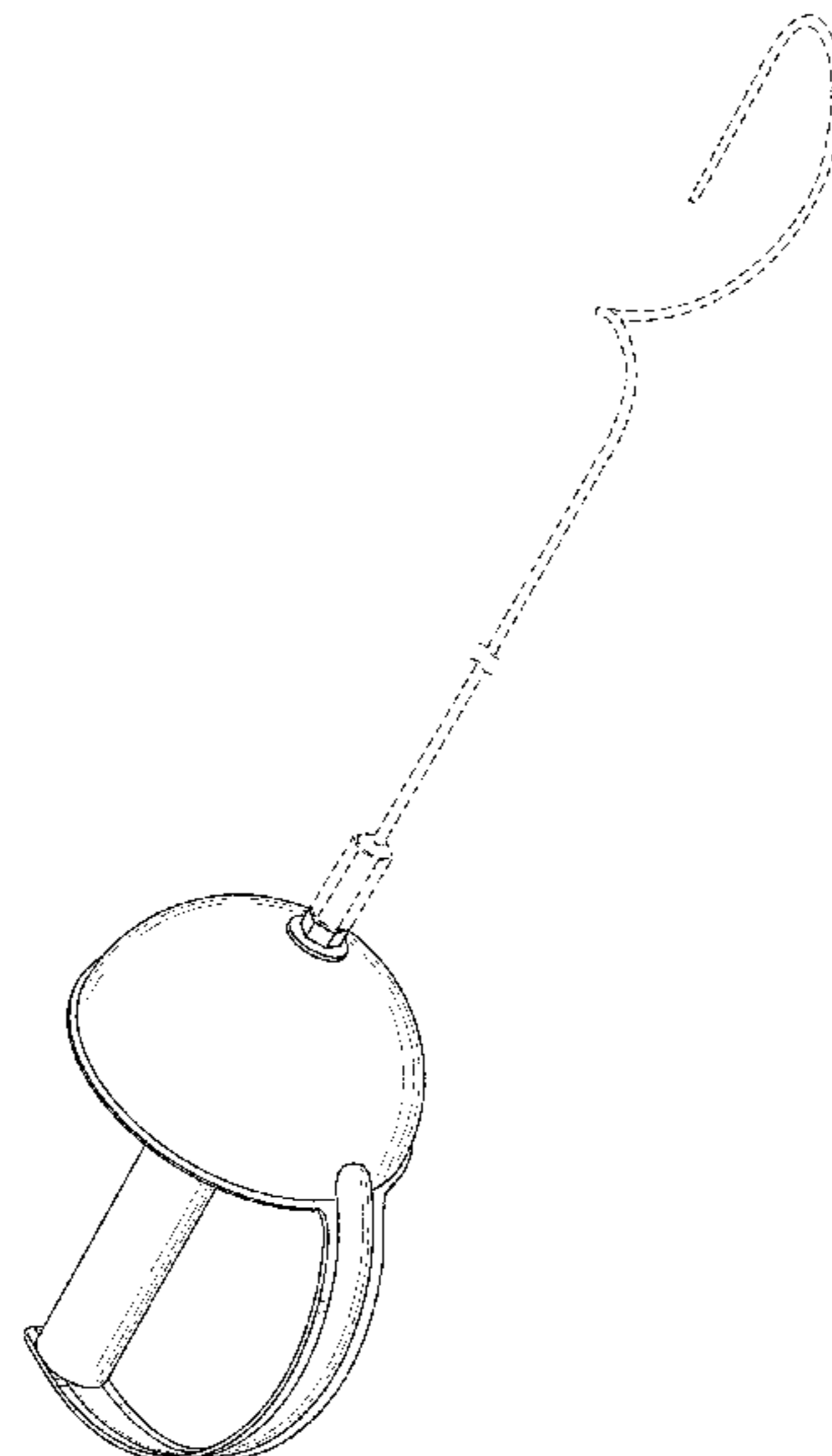
(57) **CLAIM**

I claim the ornamental design for a roasting device handle, as shown and described.

**DESCRIPTION**

FIG. 1 shows a perspective view of a roasting device handle of the present invention;  
FIG. 2 shows a left side view of the roasting device handle of FIG. 1;  
FIG. 3 shows a right side view of the roasting device handle of FIG. 1;  
FIG. 4 shows a rear view of the roasting device handle of FIG. 1;  
FIG. 5 shows a front view of the roasting device handle of FIG. 1;  
FIG. 6 shows a top view of the roasting device handle of FIG. 1; and,  
FIG. 7 shows a bottom view of the roasting device handle of FIG. 1.  
The broken lines in the drawings represent portions of the article that form no part of the claim.

**1 Claim, 3 Drawing Sheets**



(56)

**References Cited**

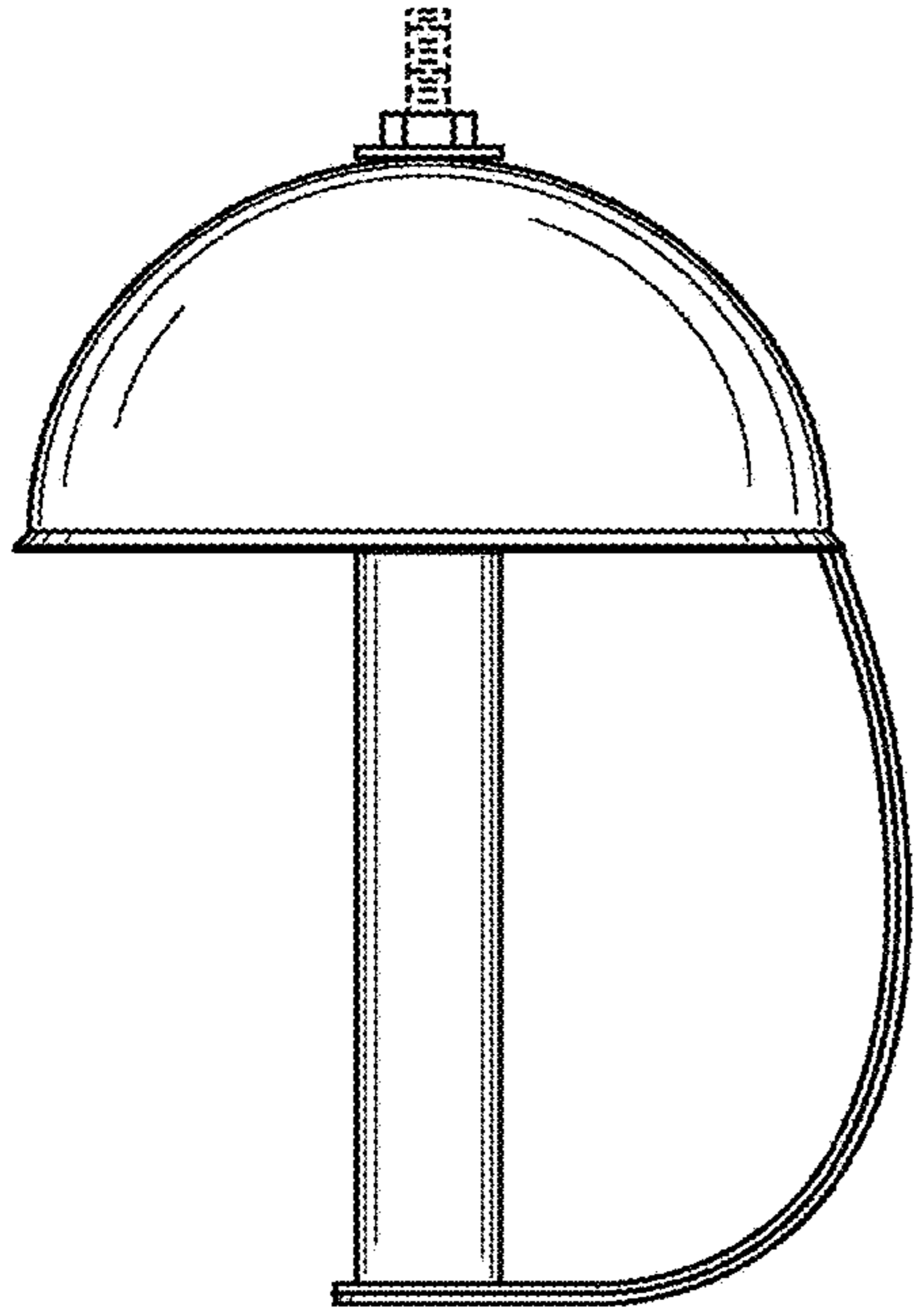
OTHER PUBLICATIONS

Internet Archive showing Menkind BBQ Sword for sale on Apr. 23, 2014. URL: <<https://web.archive.org/web/20140423054015/http://www.menkind.co.uk/bbq-sword>>, accessed Oct. 24, 2016.

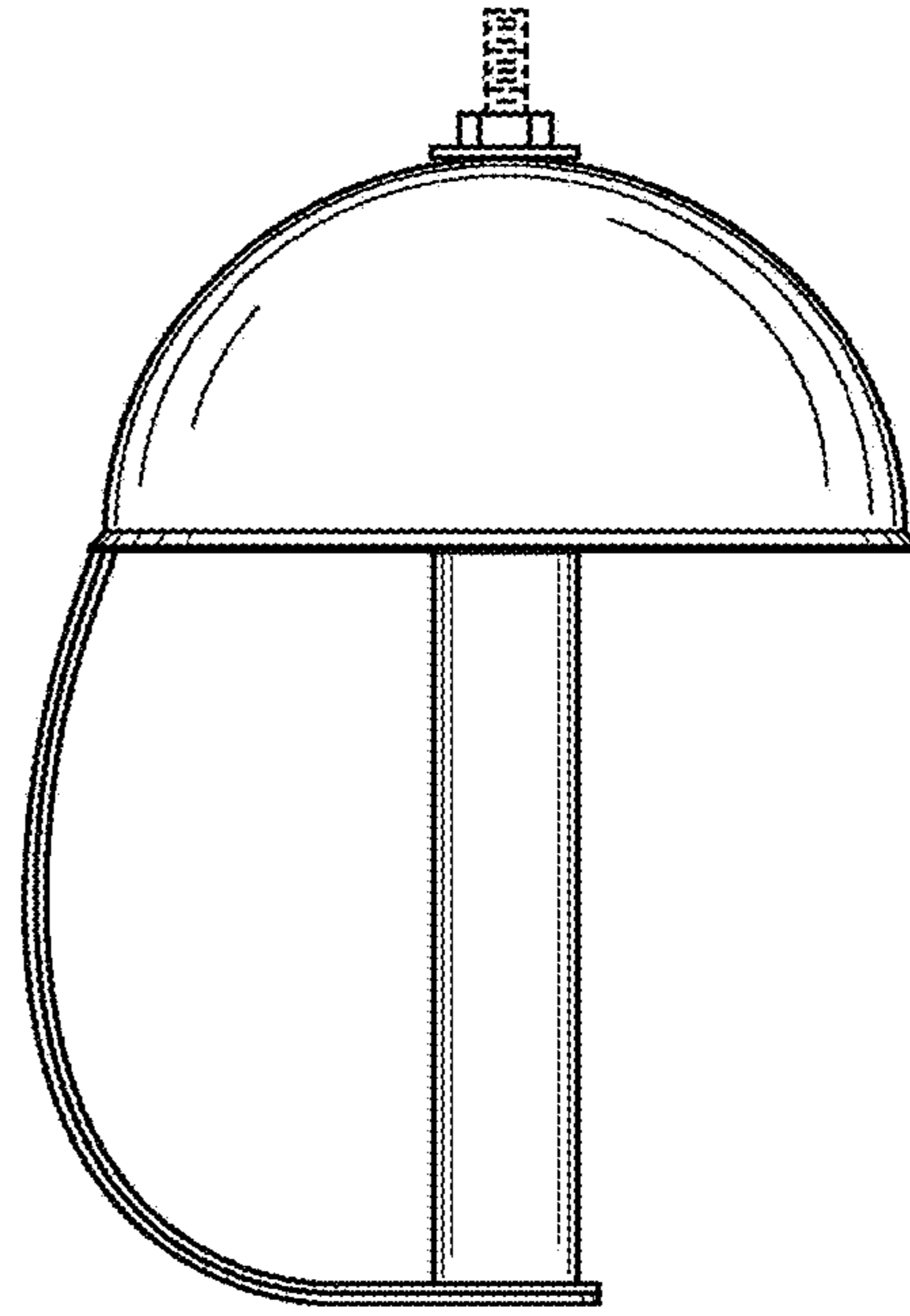
\* cited by examiner



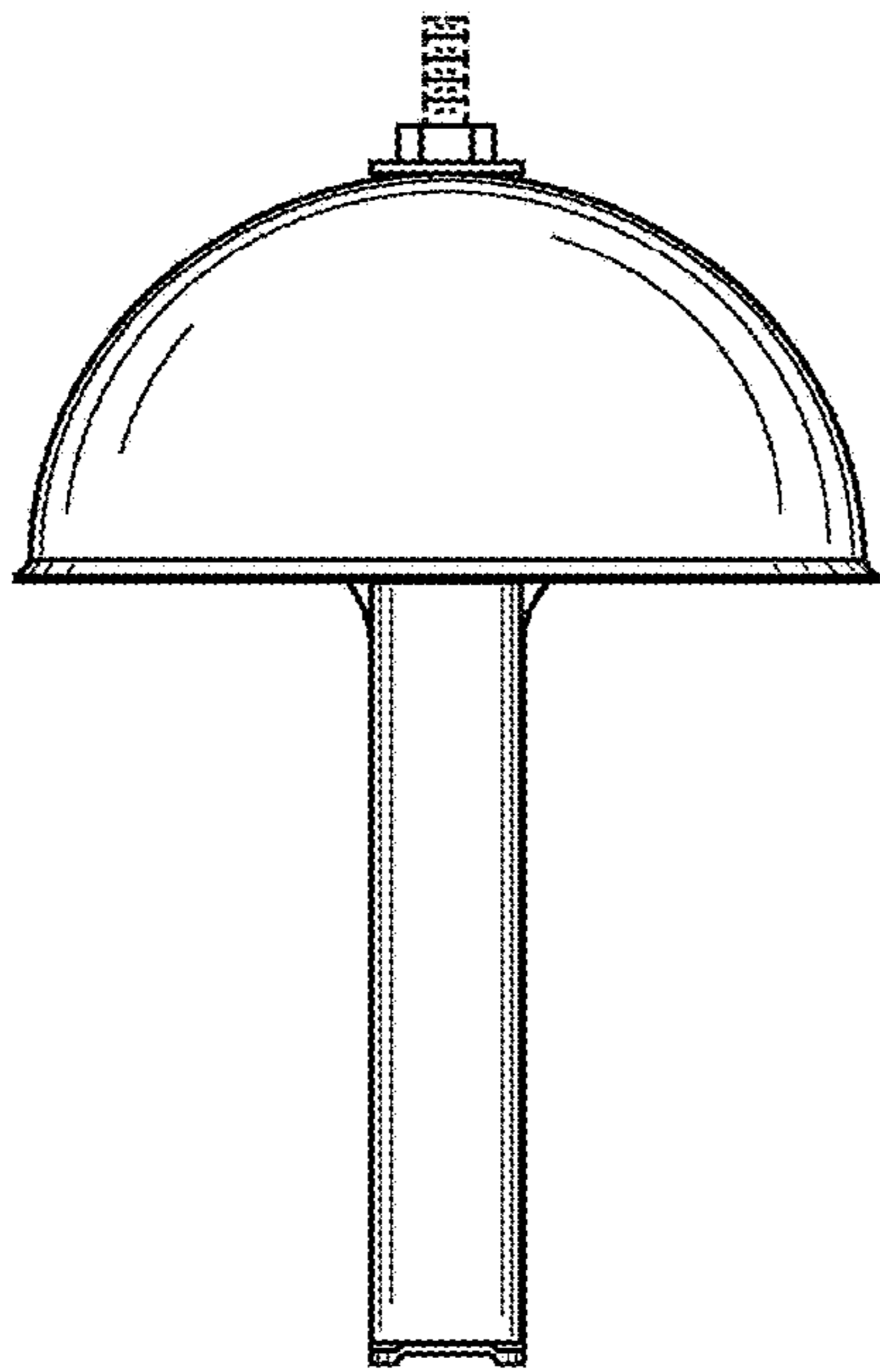
**FIG. 1**



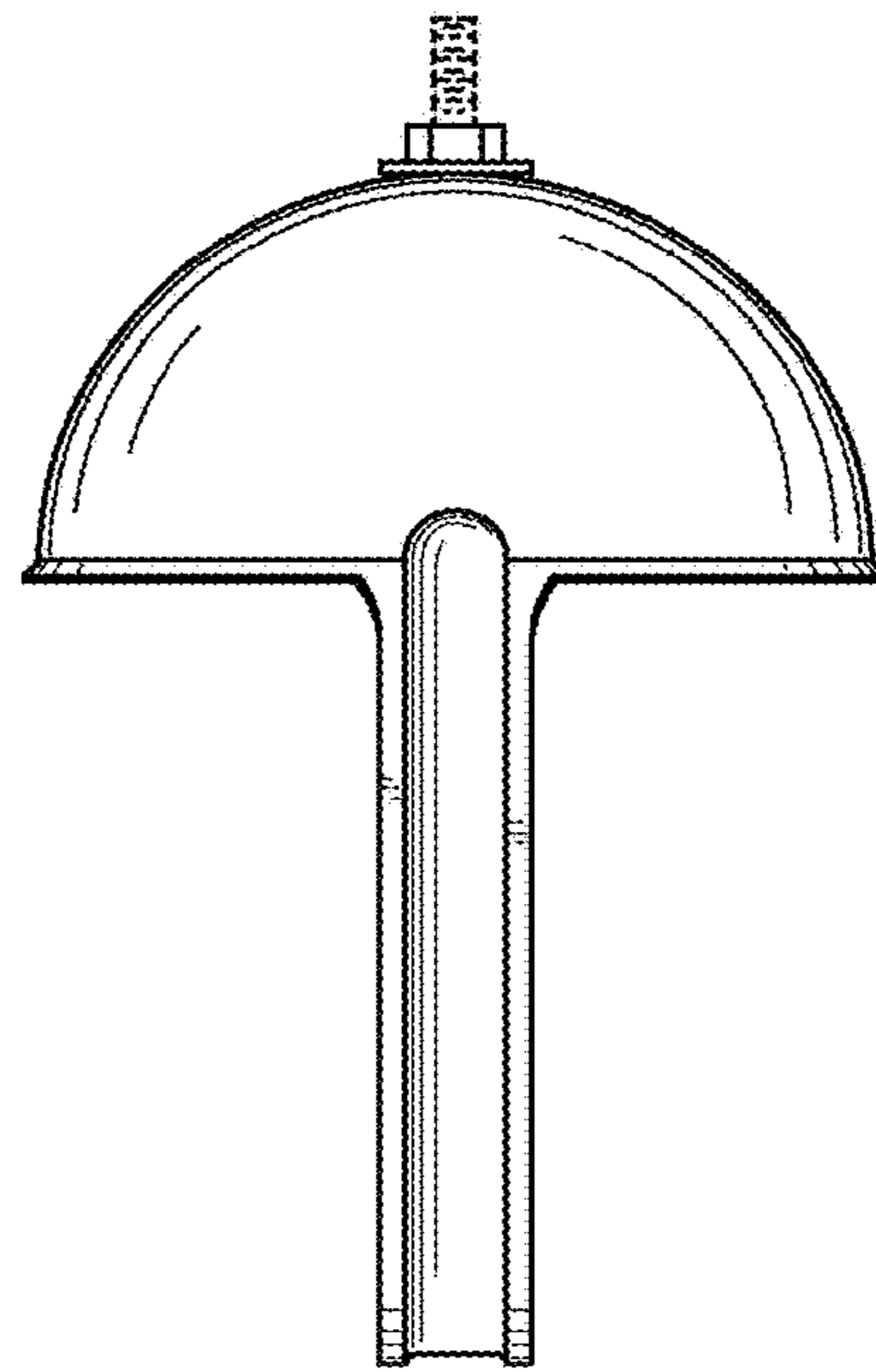
**FIG. 2**



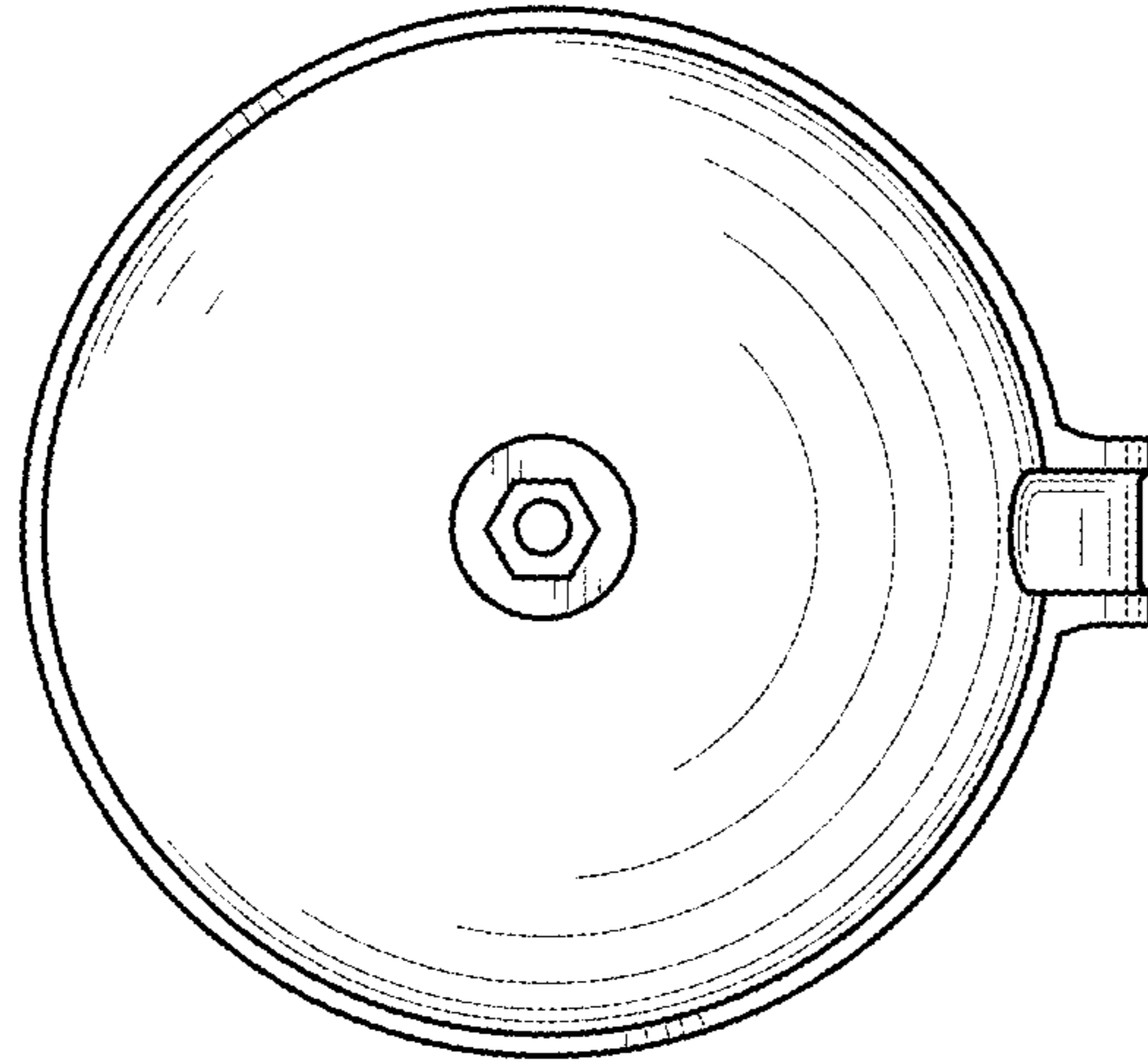
**FIG. 3**



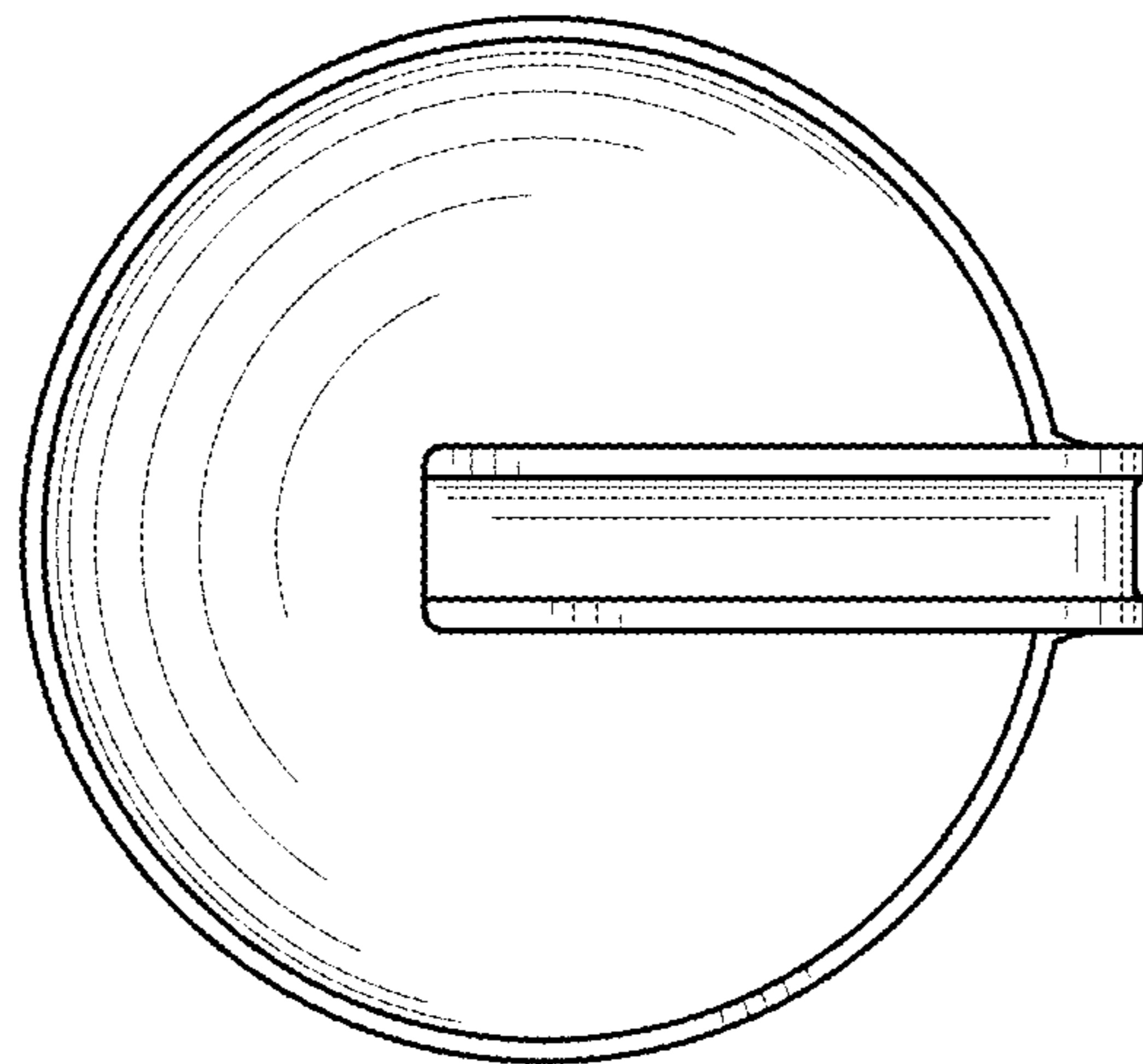
**FIG. 4**



**FIG. 5**



**FIG. 6**



**FIG. 7**