



US00D787264S

(12) **United States Design Patent**
Neff

(10) **Patent No.:** **US D787,264 S**

(45) **Date of Patent:** **** May 23, 2017**

(54) **ROASTING DEVICE HANDLE**

D588,419 S * 3/2009 Lu D7/683
D615,145 S * 5/2010 Herald D22/118
D636,234 S * 4/2011 Lion D7/683

(71) Applicant: **Zachary S. Neff**, Salt Lake City, UT
(US)

(72) Inventor: **Zachary S. Neff**, Salt Lake City, UT
(US)

(**) Term: **15 Years**

(21) Appl. No.: **29/542,747**

(22) Filed: **Oct. 16, 2015**

(51) **LOC (10) Cl.** **07-02**

(52) **U.S. Cl.**
USPC **D7/394; D7/684**

(58) **Field of Classification Search**
USPC D7/381, 394, 683, 684; D22/117, 118;
D21/568
CPC A47J 43/18; A47J 37/041; A22C 17/006;
A22C 17/0066
See application file for complete search history.

(56) **References Cited**

U.S. PATENT DOCUMENTS

- 35,292 A * 5/1862 Bogia B26B 3/00
16/421
- 2,803,087 A * 8/1957 Zalkind A63H 33/00
446/473
- 2,935,013 A * 5/1960 Onori A47J 37/0694
30/295
- D192,338 S * 3/1962 Farber D11/47
- 3,217,635 A * 11/1965 Scavullo A47J 43/283
16/422
- 5,127,871 A * 7/1992 Miller A63H 33/009
446/473
- D438,069 S * 2/2001 Williamson D7/684
- 6,565,484 B1 * 5/2003 Reinhardt F41B 13/02
446/473
- D482,938 S * 12/2003 Renault D7/683
- 7,401,409 B2 * 7/2008 Jenkins A23L 27/00
294/51

OTHER PUBLICATIONS

Swashbuckler BBQ Sword, online from Homewetbar.com, reviewed online Oct. 8, 2009; <url: <http://www.homewetbar.com/Swashbuckling-BBQ-Sword-p-999.html#ReviewHeader>>.*
BBQ Sword for sale on Menkind.com. URL: <<http://www.menkind.co.ukibbg-sword>>, accessed Oct. 24, 2016.

(Continued)

Primary Examiner — Cynthia M Chin

(74) *Attorney, Agent, or Firm* — Durham Jones & Pinegar; Randall B. Bateman; Sarah W. Matthews

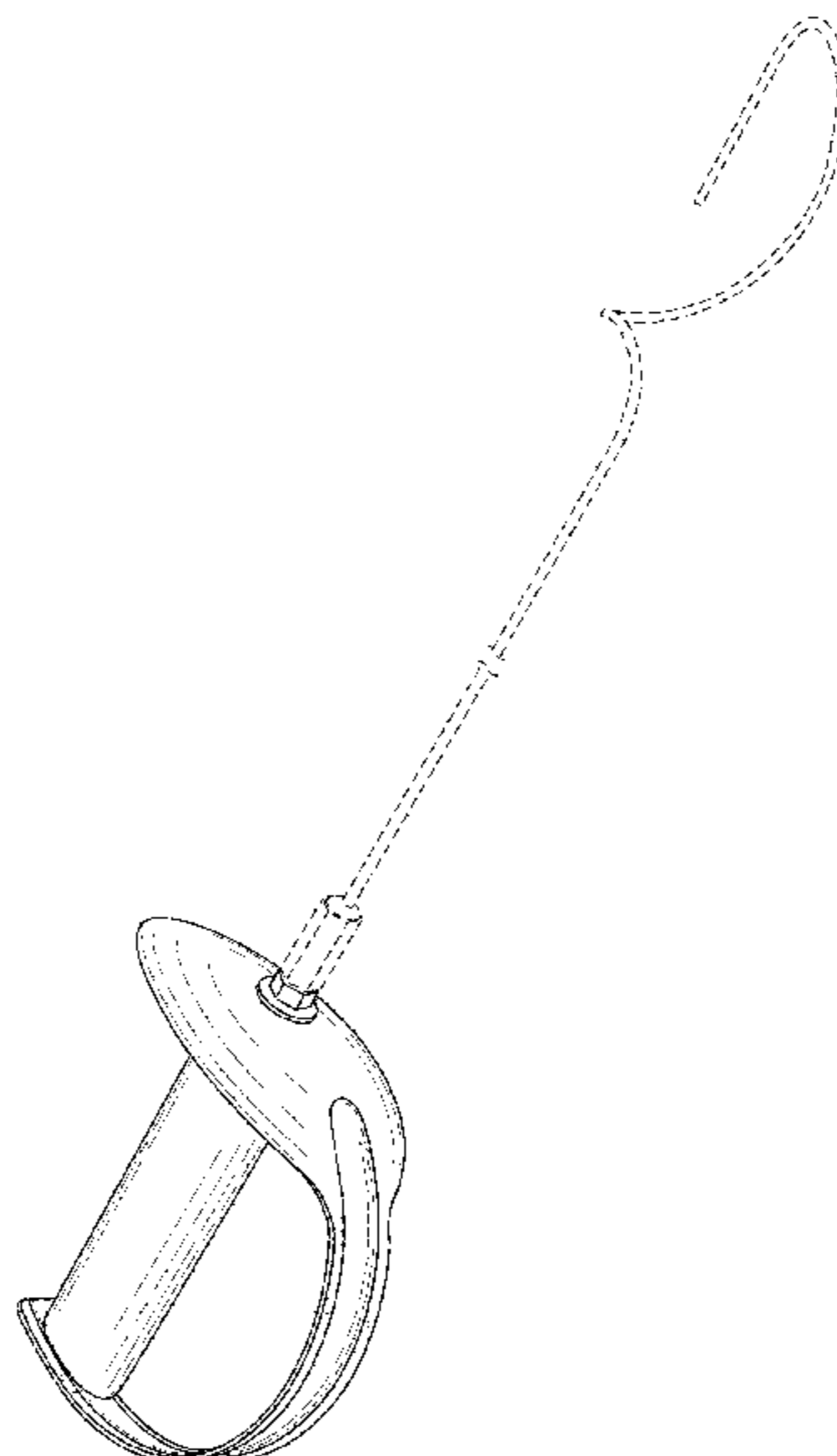
(57) **CLAIM**

I claim the ornamental design for a roasting device handle, as shown and described.

DESCRIPTION

FIG. 1 shows a perspective view of a roasting device handle of the present invention;
FIG. 2 shows a left side view of the roasting device handle of FIG. 1;
FIG. 3 shows a right side view of the roasting device handle of FIG. 1;
FIG. 4 shows a rear view of the roasting device handle of FIG. 1;
FIG. 5 shows a front view of the roasting device handle of FIG. 1;
FIG. 6 shows a top view of the roasting device handle of FIG. 1; and,
FIG. 7 shows a bottom view of the roasting device handle of FIG. 1.
The broken lines in the drawings represent portions of the article that form no part of the claim.

1 Claim, 3 Drawing Sheets



(56)

References Cited

OTHER PUBLICATIONS

Internet Archive showing Menkind BBQ Sword for sale on Apr. 23, 2014. URL: <<https://web.archive.org/web/20140423054015/http://www.menkind.co.uk/bbq-sword>>, accessed Oct. 24, 2016.

* cited by examiner

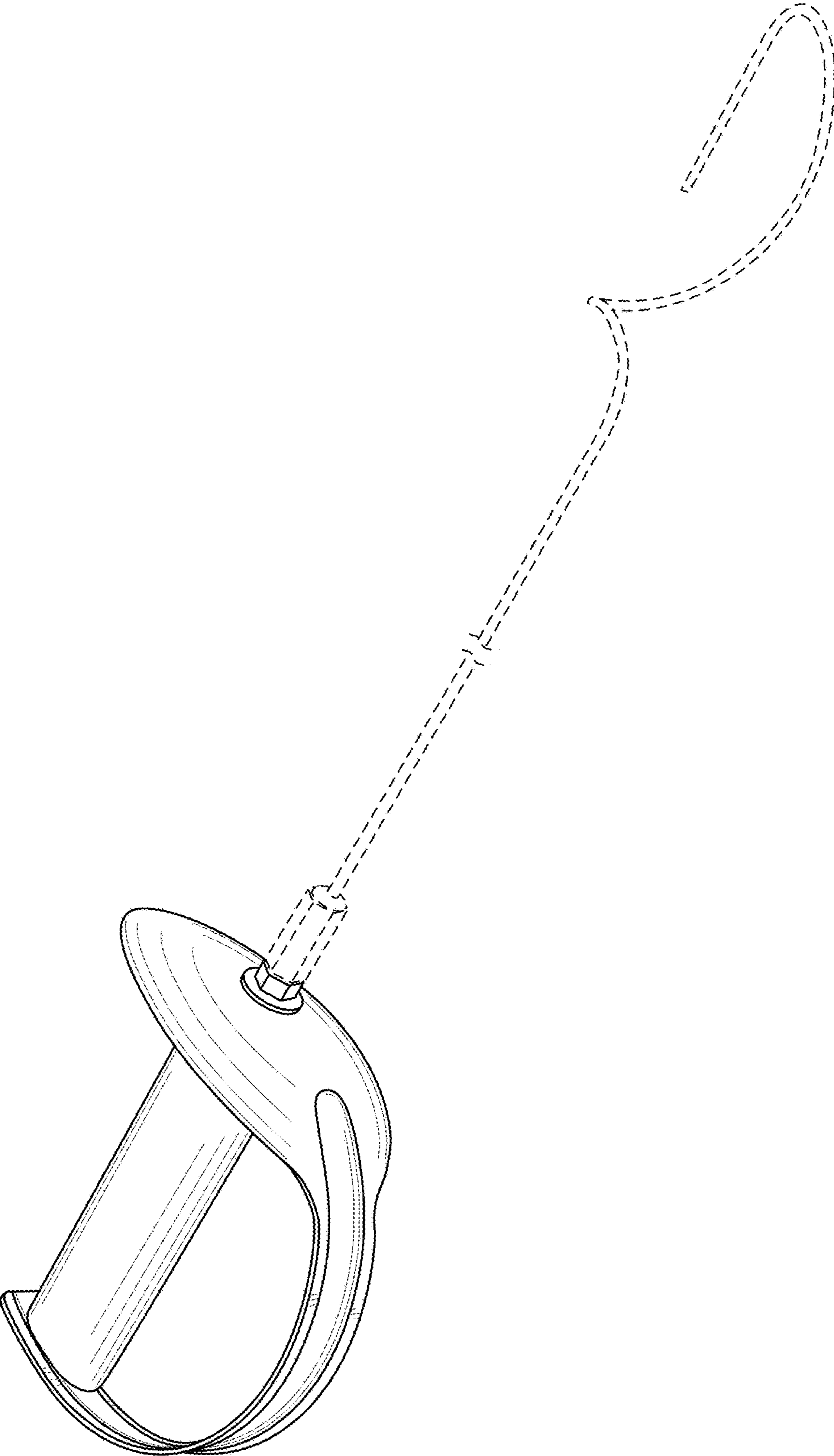


FIG. 1

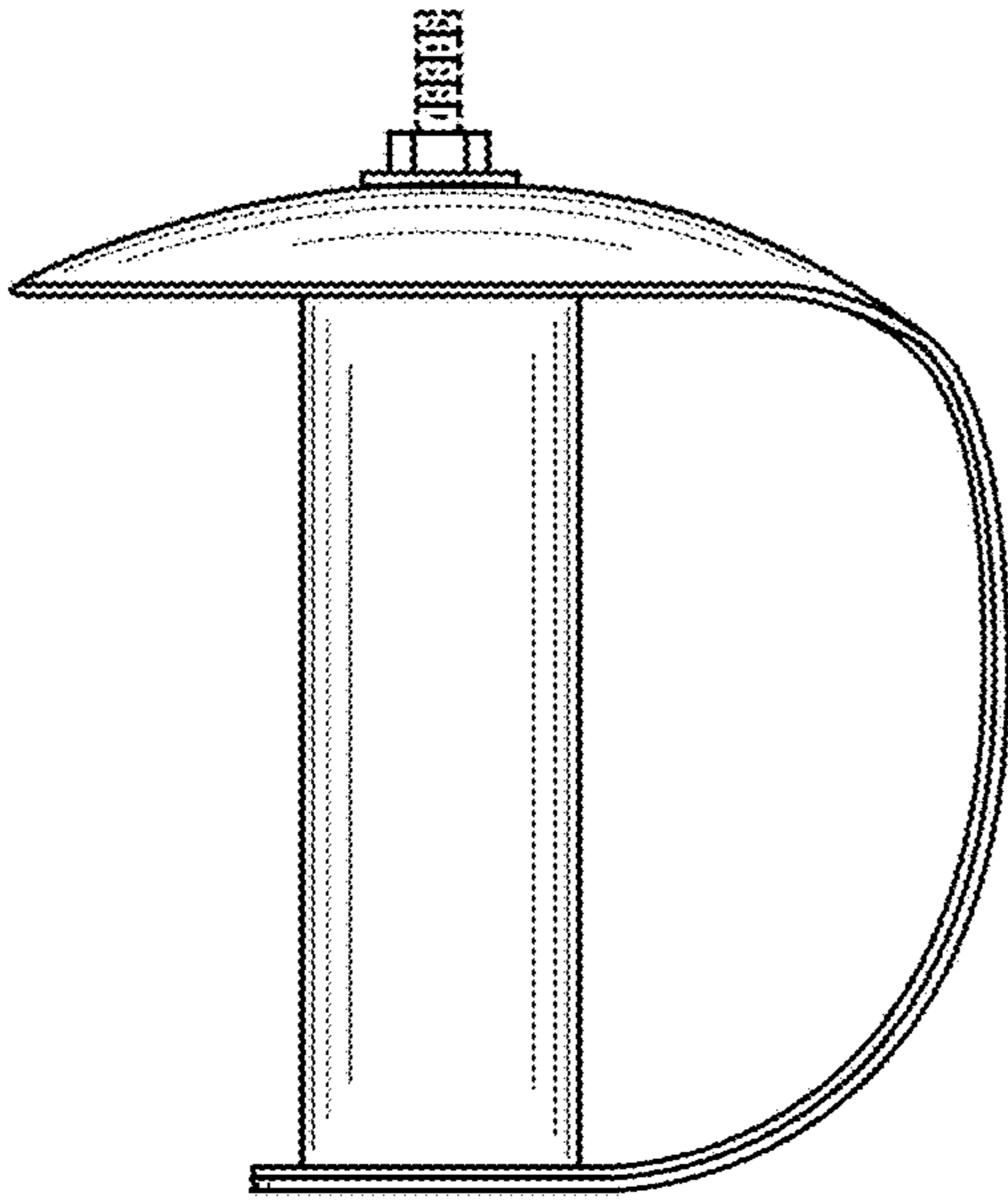


FIG. 2

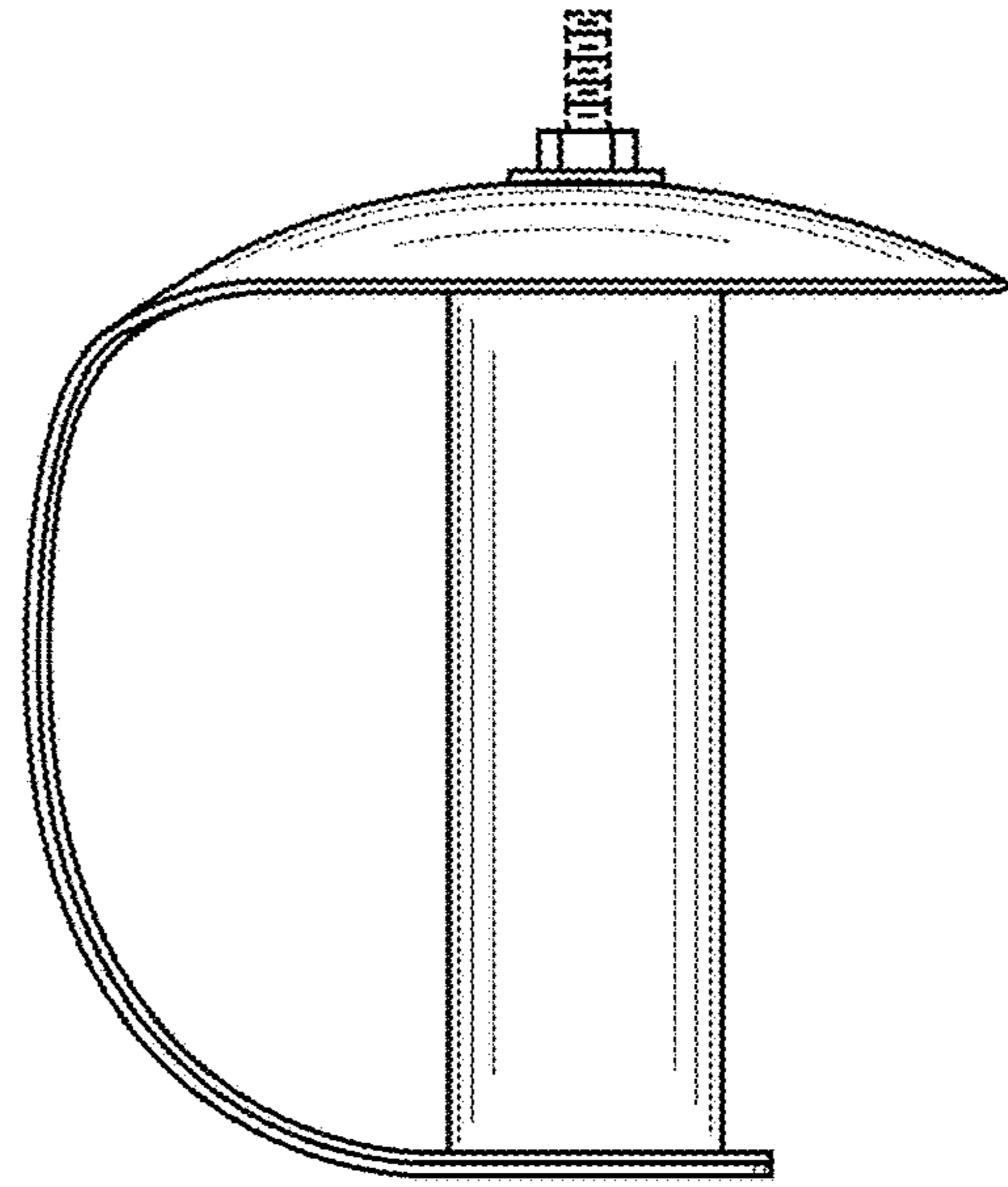


FIG. 3

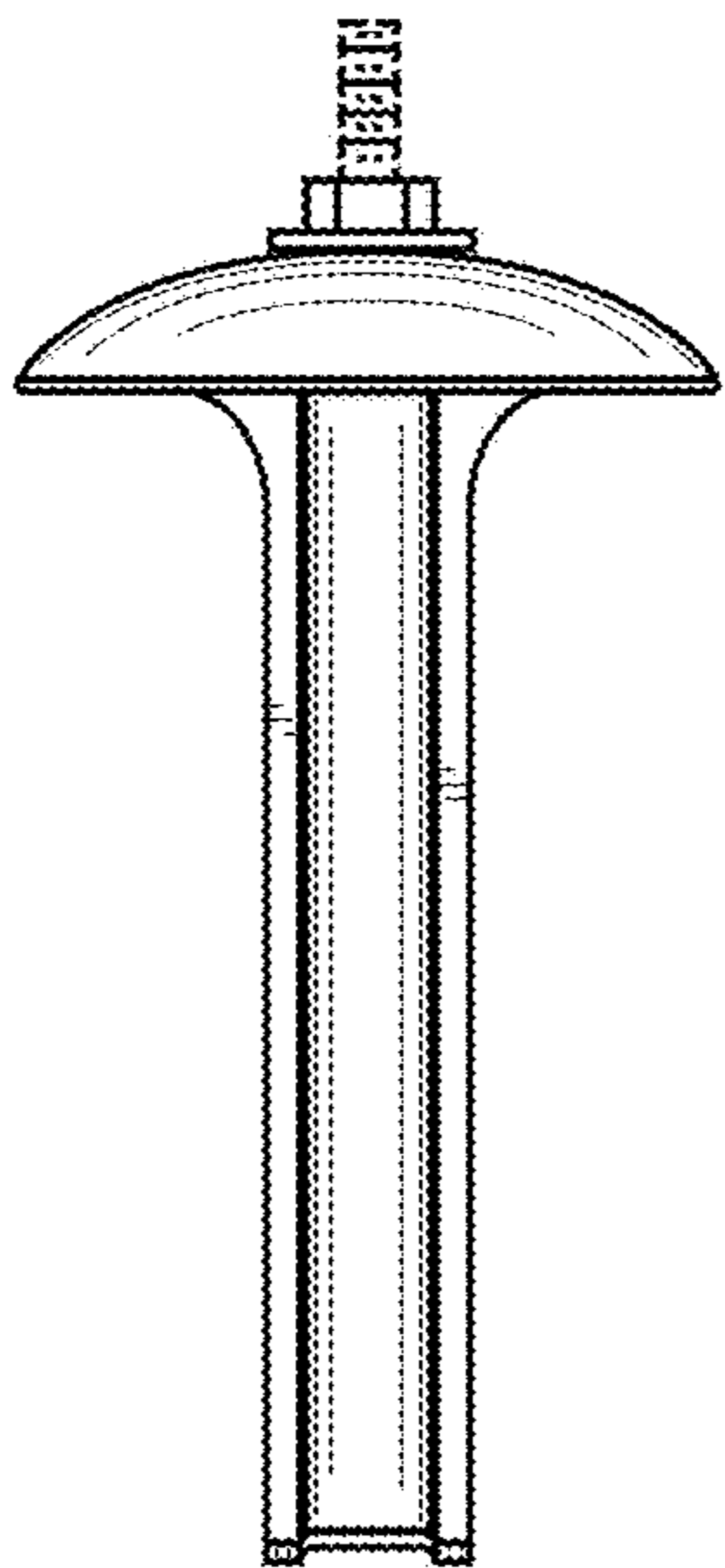


FIG. 4

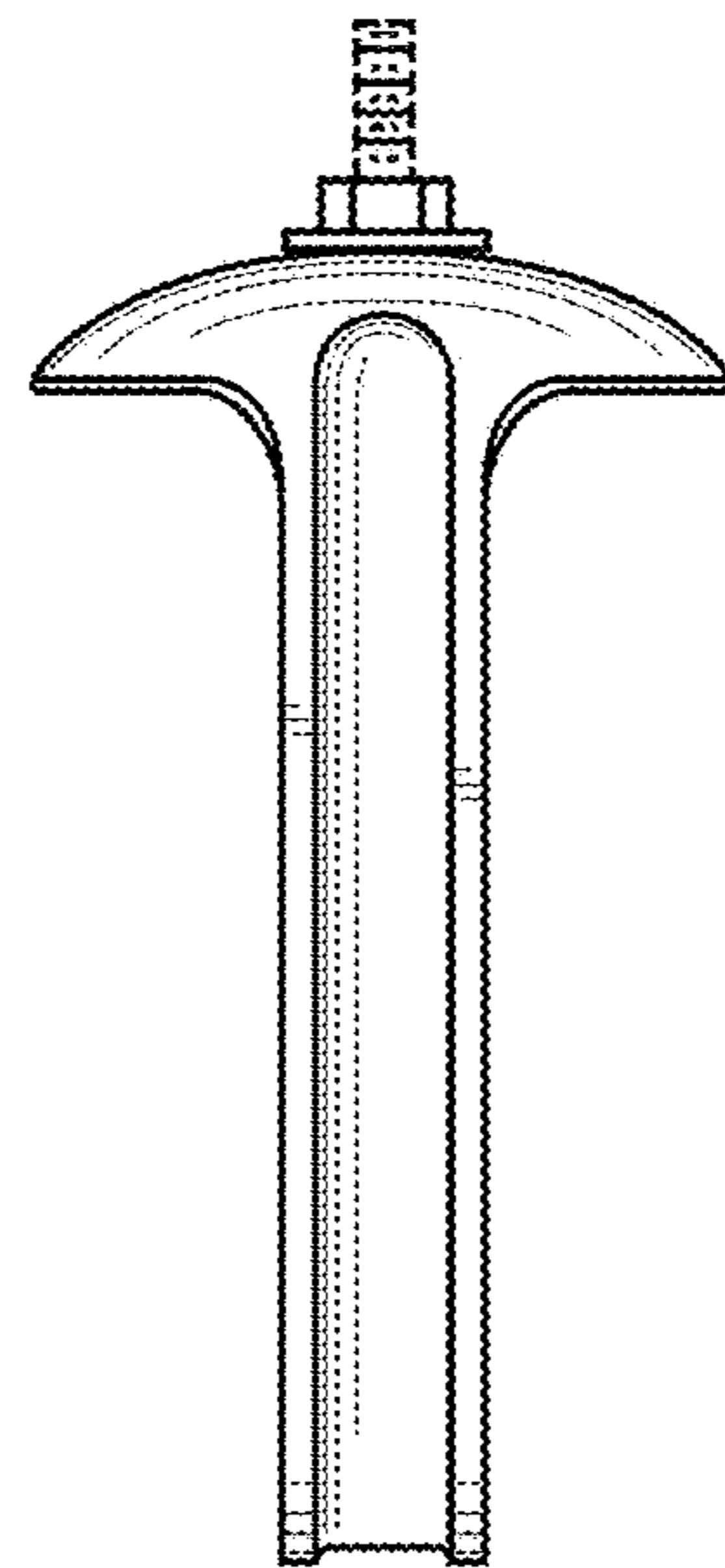


FIG. 5

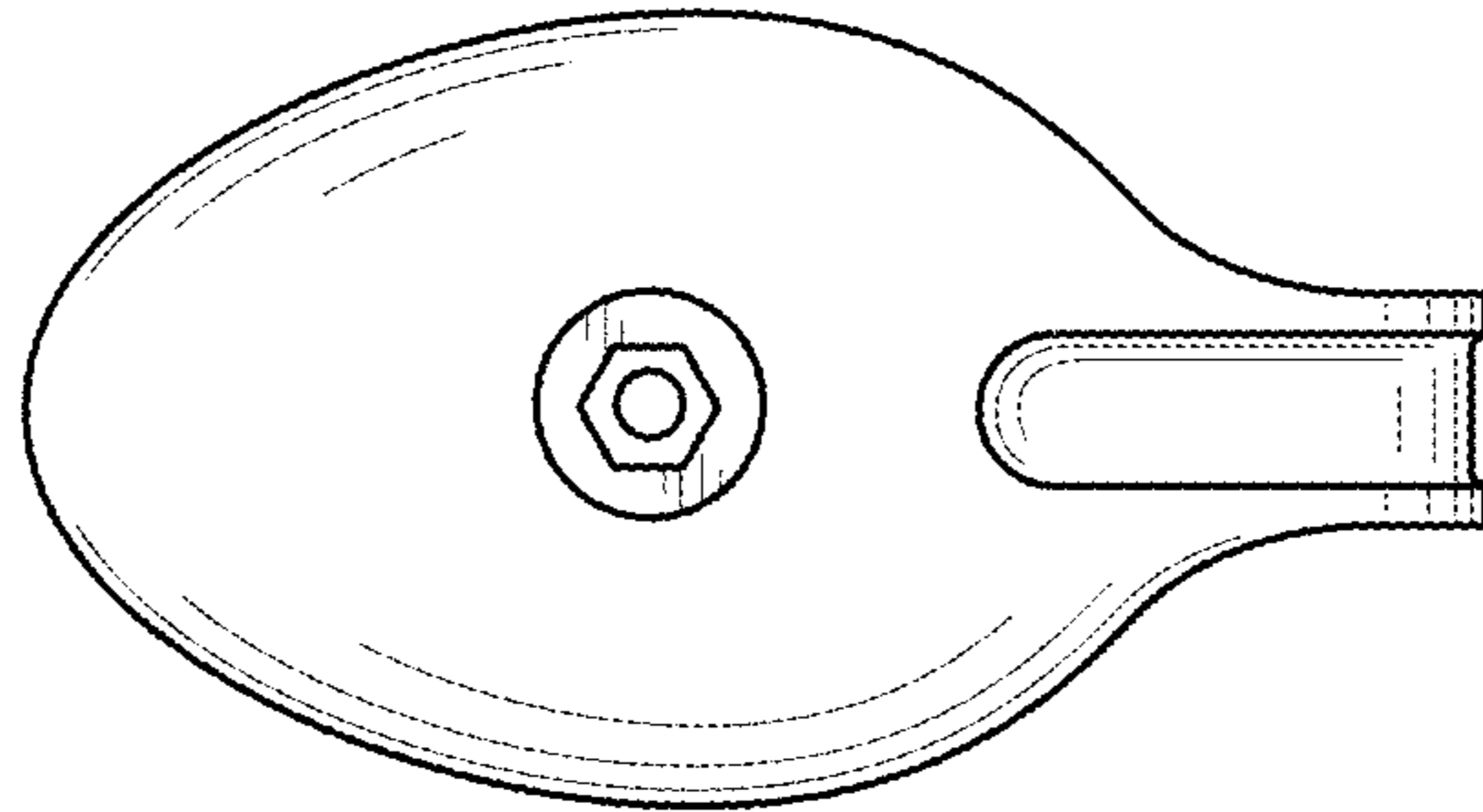


FIG. 6

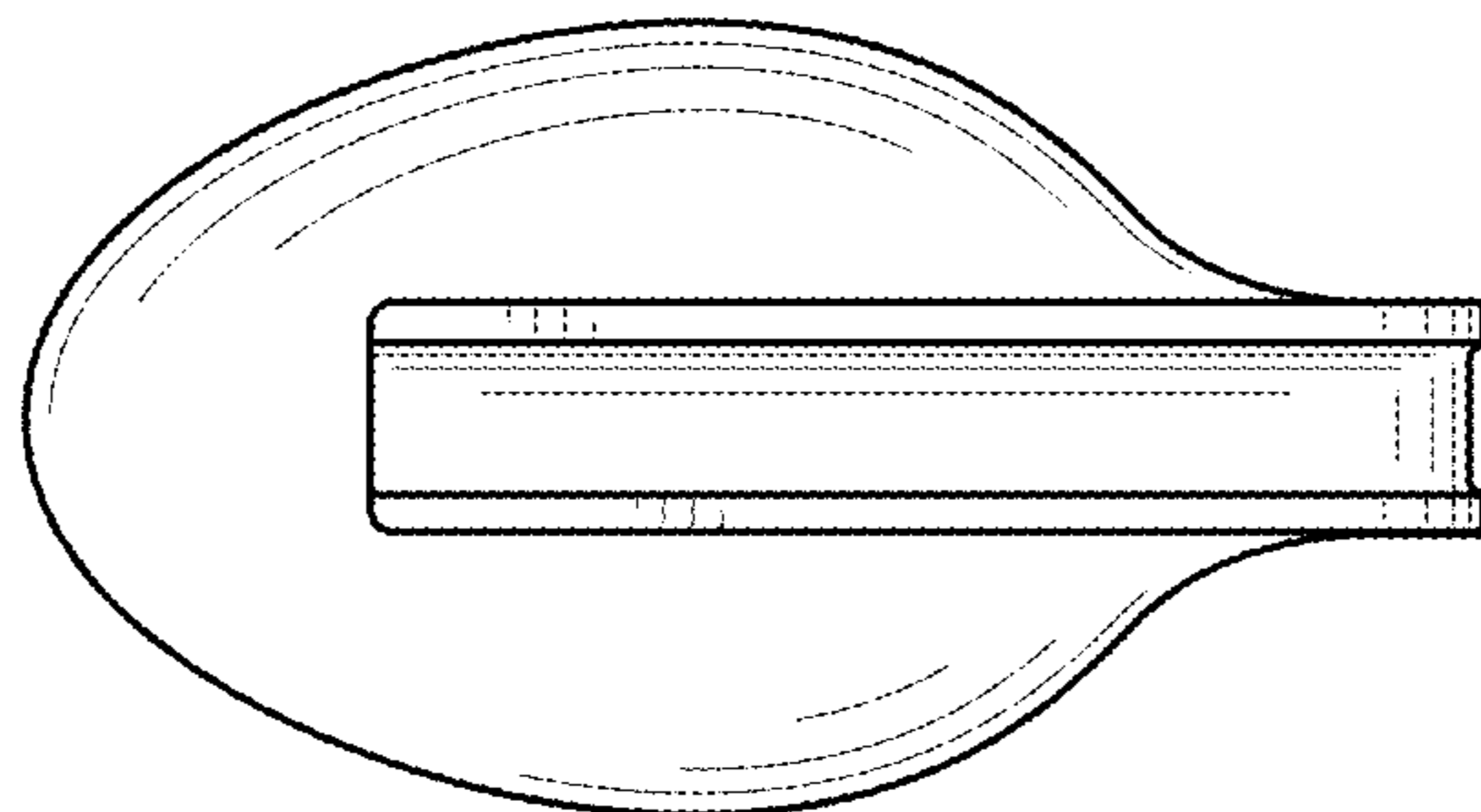


FIG. 7