



US00D787263S

(12) **United States Design Patent** (10) **Patent No.:** **US D787,263 S**
Baron et al. (45) **Date of Patent:** **** May 23, 2017**

(54) **PICKLE PIPE** 3,924,774 A * 12/1975 Donnelly B65D 81/245
220/200
(71) Applicant: **Masontops, Inc.**, Toronto (CA) 3,943,987 A 3/1976 Rossi
4,099,512 A * 7/1978 Noonan A47J 36/36
126/215
(72) Inventors: **Philip Baron**, Toronto (CA); **Michael Bacher**, Toronto (CA) D249,624 S * 9/1978 Solomon D7/391
4,434,810 A * 3/1984 Atkinson F16K 15/147
137/493
(73) Assignee: **Masontops, Inc.**, Toronto, Ontario (CA) 4,537,017 A 8/1985 Hengstenberg et al.
4,688,571 A * 8/1987 Tesler A61J 17/00
606/234
(**) Term: **15 Years** 4,844,929 A 7/1989 Kingsley
(21) Appl. No.: **29/553,022** (Continued)

(22) Filed: **Jan. 28, 2016**
(51) **LOC (10) Cl.** **07-01**
(52) **U.S. Cl.**
USPC **D7/391; D7/392; D9/454; D9/443**
(58) **Field of Classification Search**
USPC D7/397, 398, 399, 391, 392, 392.1;
D9/439, 440, 443, 454; D30/121;
215/11.1; D24/194, 196; 220/367.1;
99/467, 349; 206/403, 408
CPC A47G 36/06; B65D 85/672; B65D 5/746;
B65D 81/2015; A47J 37/10; B44D 3/12;
A61J 9/085
See application file for complete search history.

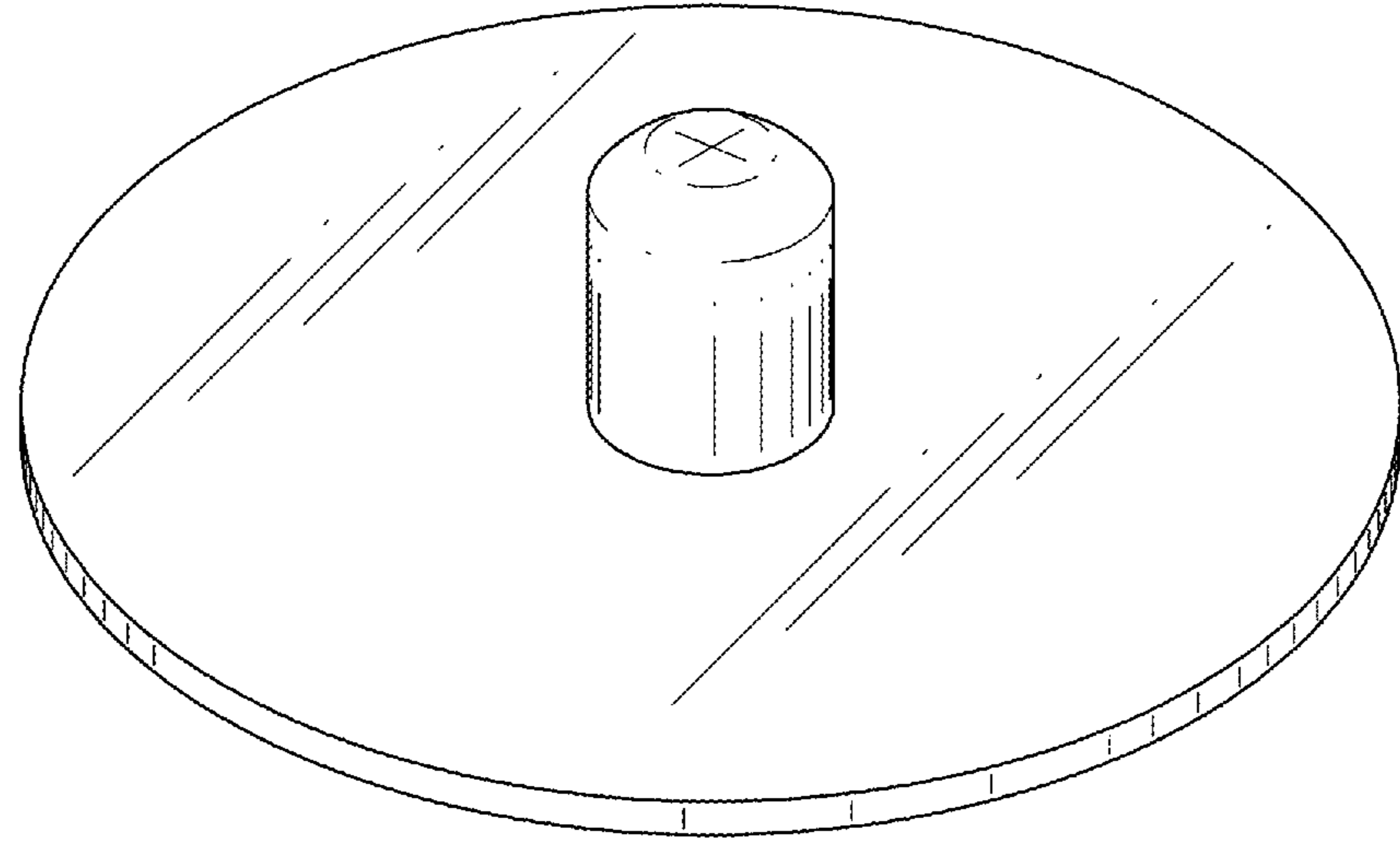
(56) **References Cited**
U.S. PATENT DOCUMENTS
D5,371 S 11/1871 Jepson
2,335,766 A * 11/1943 Kinloch B65D 85/672
206/403
2,336,195 A * 12/1943 Rosen C10M 1/08
508/473
2,556,195 A * 6/1951 Kors B44D 3/12
217/86
2,828,886 A * 4/1958 Thomas B44D 3/12
220/579
3,252,404 A * 5/1966 Cox A47J 36/06
99/349
3,455,292 A * 7/1969 Mudrinich A61J 17/00
600/11

OTHER PUBLICATIONS
<https://www.kickstarter.com/projects/1945102584/pickle-pipe-wa-terless-fermentation-airlock-for-mas> Oct. 8, 2015.*
(Continued)
Primary Examiner — Marianne Pandozzi
(74) *Attorney, Agent, or Firm* — McAndrews, Held & Malloy, Ltd.

(57) **CLAIM**
We claim an ornamental design for a pickle pipe, as shown and described.

DESCRIPTION
FIG. 1 is an environmental perspective view of a pickle pipe showing our new design;
FIG. 2 is a top perspective view thereof;
FIG. 3 is a bottom perspective view thereof;
FIG. 4 is a side view thereof;
FIG. 5 is another side view thereof;
FIG. 6 is a top plan view thereof; and,
FIG. 7 is a bottom plan view thereof.
The broken lines in FIG. 1 depict environmental subject matter only and form no part of the claimed design.

1 Claim, 5 Drawing Sheets



(56)

References Cited

U.S. PATENT DOCUMENTS

4,874,108 A * 10/1989 Valasek B44D 3/12
 220/578
 D304,663 S * 11/1989 Tunila D7/397
 5,004,118 A * 4/1991 England B65D 51/28
 220/216
 5,108,423 A * 4/1992 Lu A61J 17/00
 128/859
 D326,917 S * 6/1992 Roberts D24/194
 5,213,230 A * 5/1993 Kral B65D 81/245
 220/216
 D341,320 S * 11/1993 Morin D9/443
 5,339,981 A * 8/1994 Kral B65D 81/245
 220/227
 D384,236 S 9/1997 Douer
 D392,046 S * 3/1998 Niedospial, Jr. D24/224
 5,769,285 A * 6/1998 Upham A01K 9/005
 215/11.1
 D399,745 S 10/1998 Mascitelli
 D415,652 S 10/1999 Leow et al.
 6,050,451 A * 4/2000 Hess, III B65D 5/746
 105/107
 D432,857 S 10/2000 Ming-Shiue

D455,963 S 4/2002 Schmitt
 6,769,291 B1 * 8/2004 Julian G01M 3/022
 138/90
 D596,487 S * 7/2009 Batton D9/447
 D617,057 S * 6/2010 Terwilleger D30/121
 D622,090 S * 8/2010 Bodum D7/317
 8,117,990 B2 * 2/2012 Terwilleger A01K 9/005
 119/71
 D659,464 S 5/2012 Albers et al.
 D682,612 S 5/2013 Rzepecki
 D686,878 S * 7/2013 Grasselli D7/397
 D717,103 S 11/2014 Wilbur
 8,985,361 B2 3/2015 Wilson
 D732,959 S * 6/2015 Branstad D9/454
 D745,799 S 12/2015 Lipson
 9,215,955 B1 12/2015 Zlotnick
 2012/0305514 A1 * 12/2012 Harris A61J 9/00
 215/11.1
 2014/0116271 A1 5/2014 Diggs

OTHER PUBLICATIONS

https://www.youtube.com/watch?v=Jfn8JRmR_-o Oct. 11, 2015.*

* cited by examiner

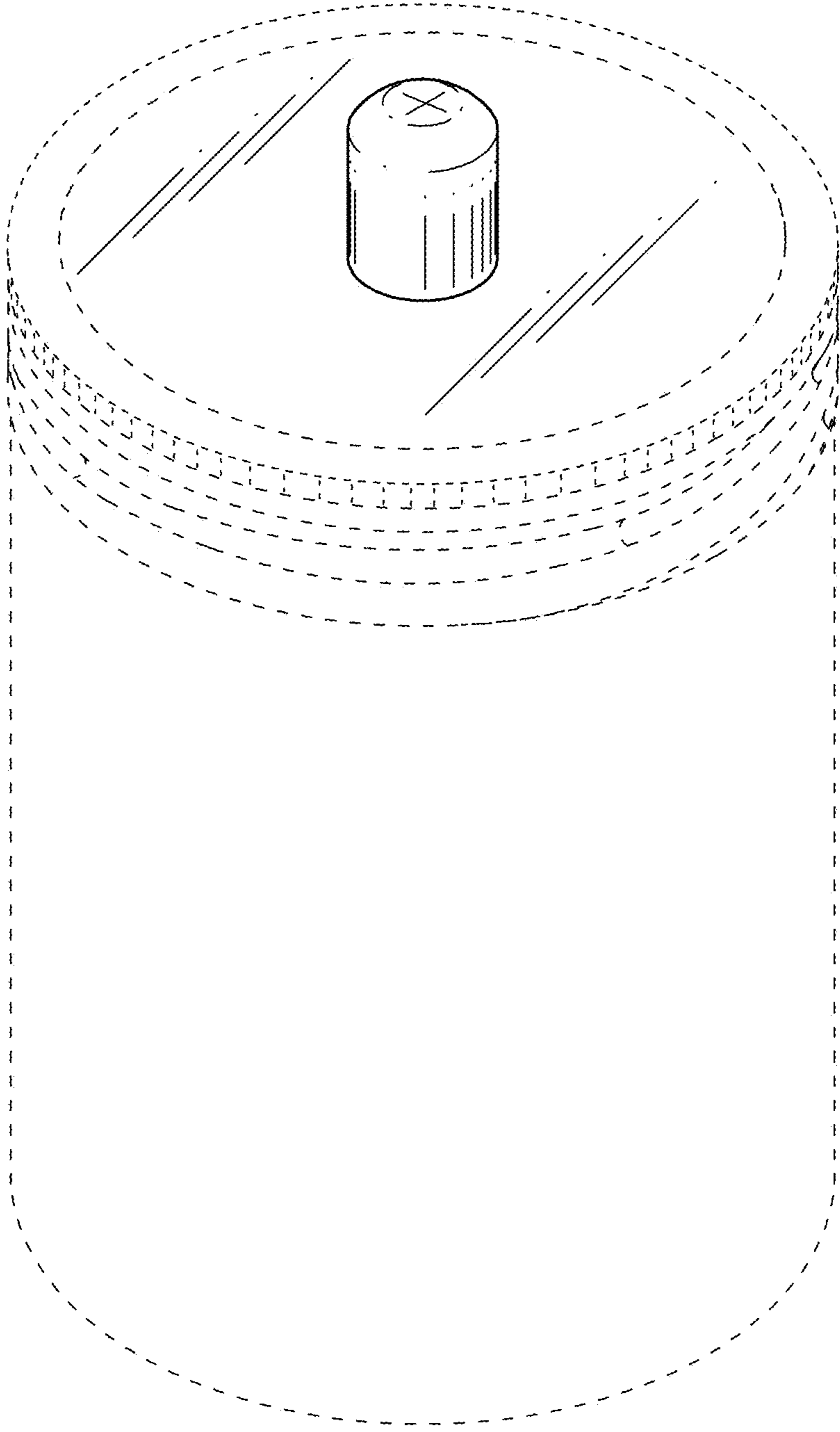


FIG. 1

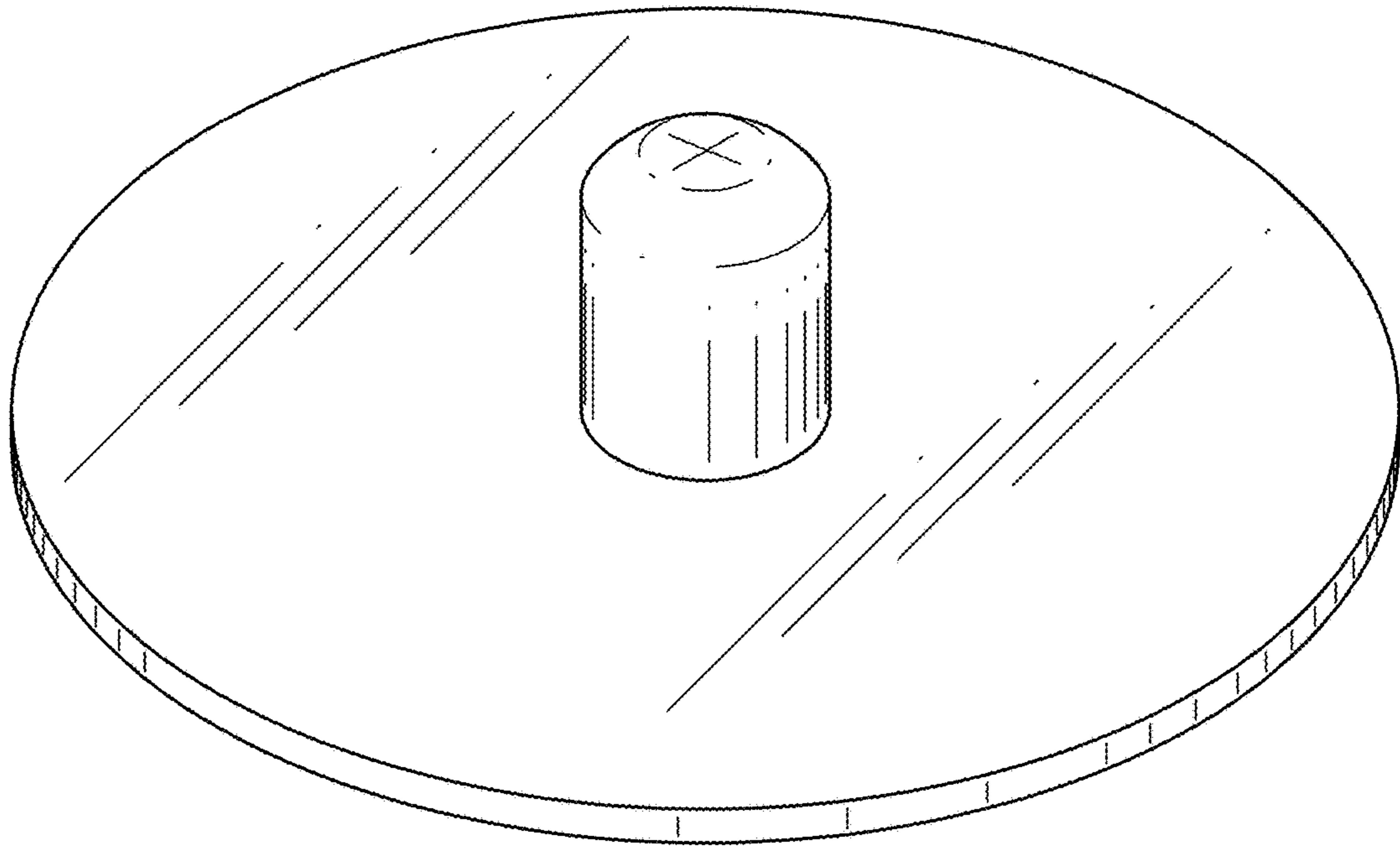


FIG. 2

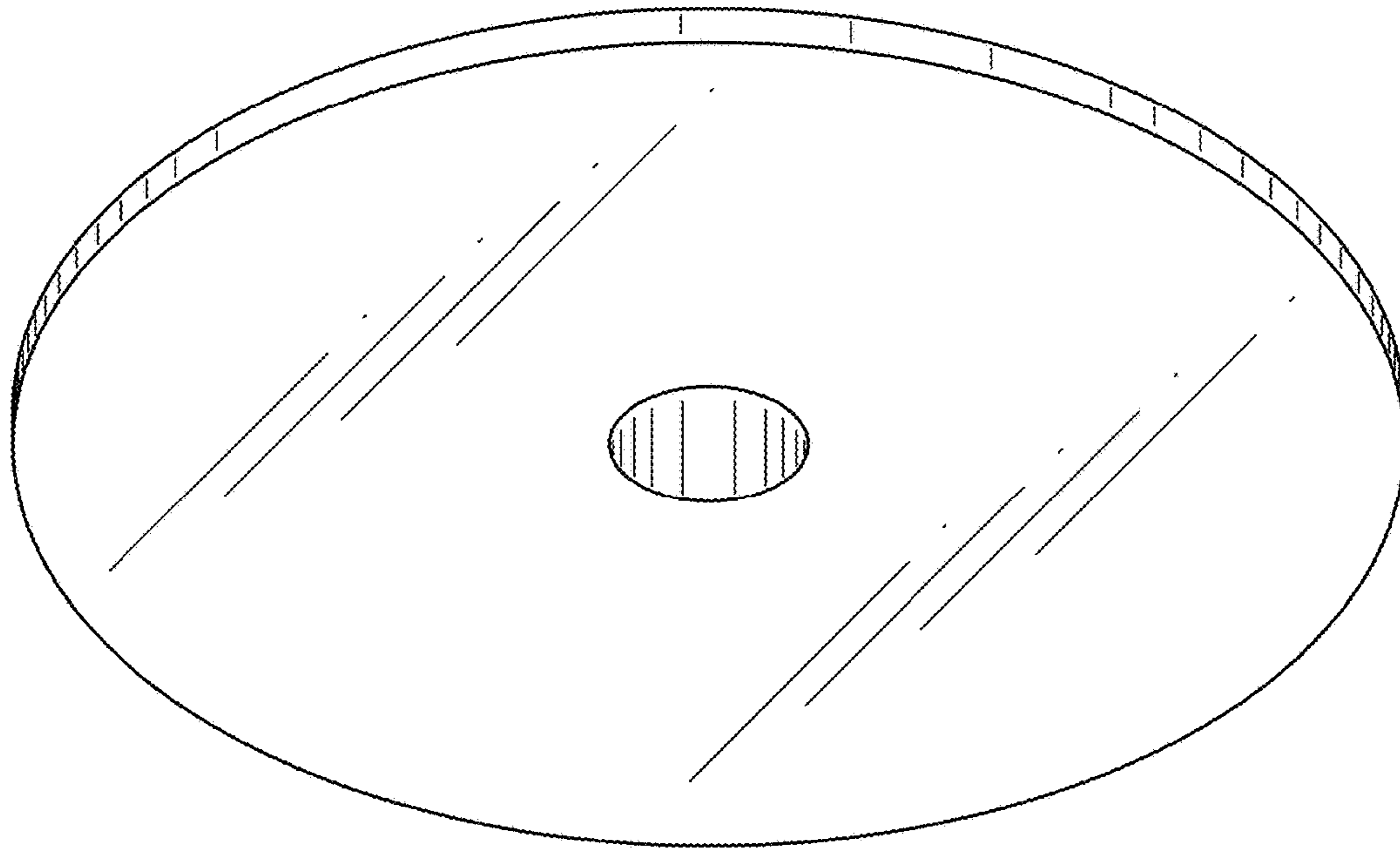


FIG. 3

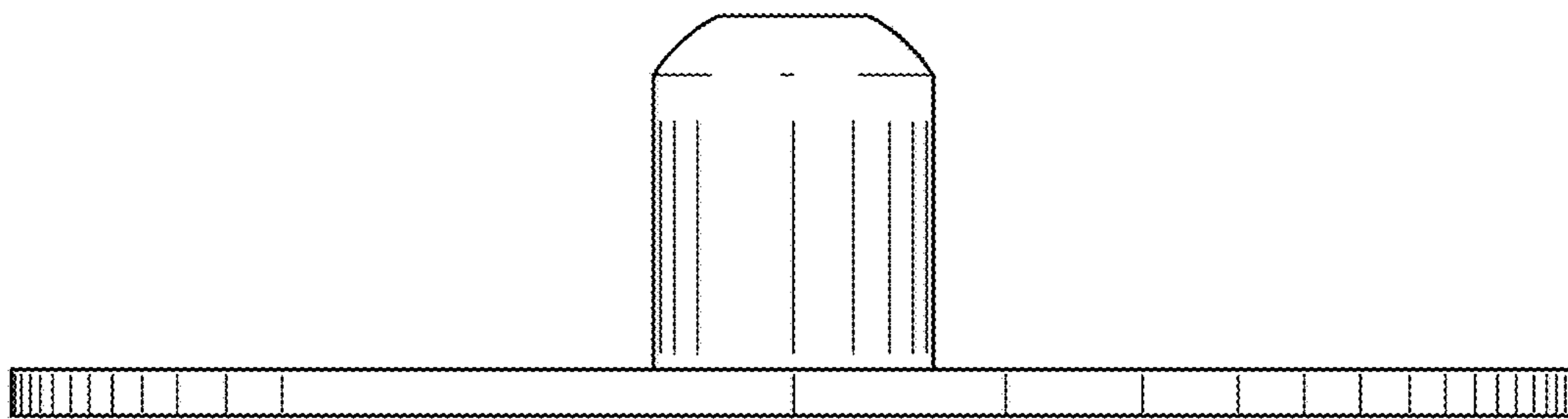


FIG. 4

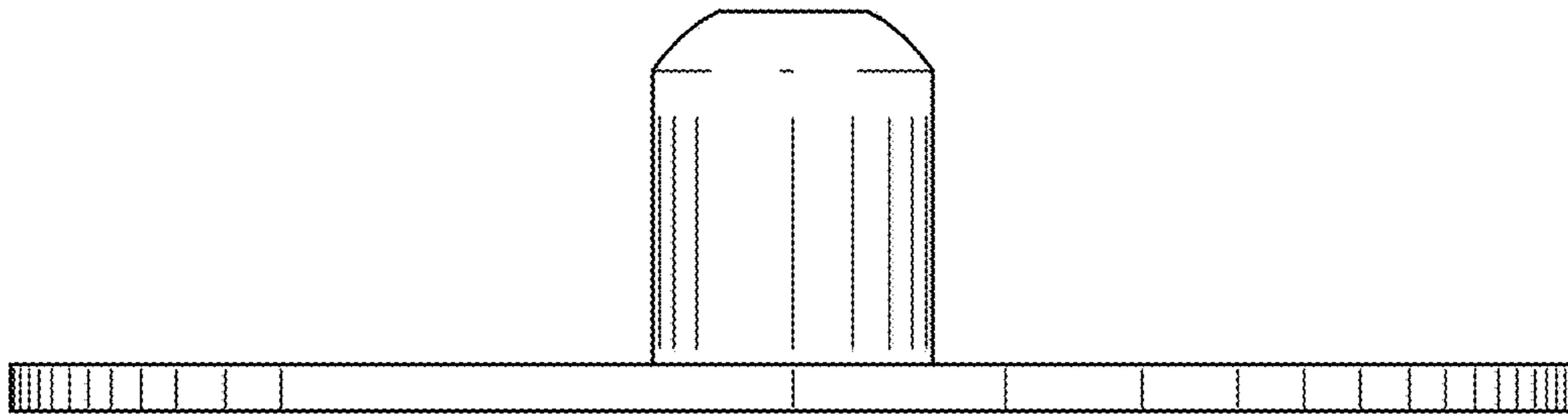


FIG. 5

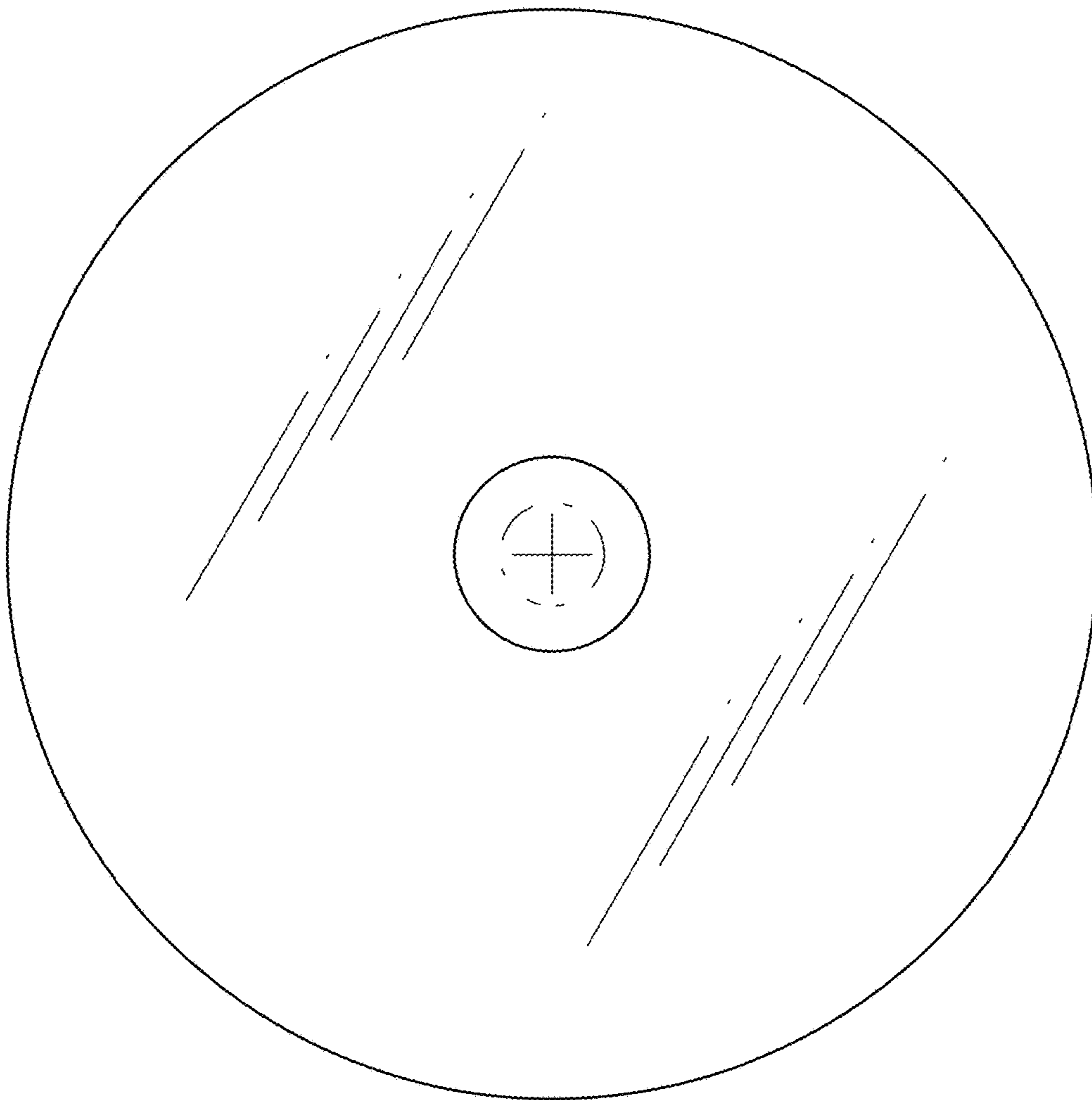


FIG. 6

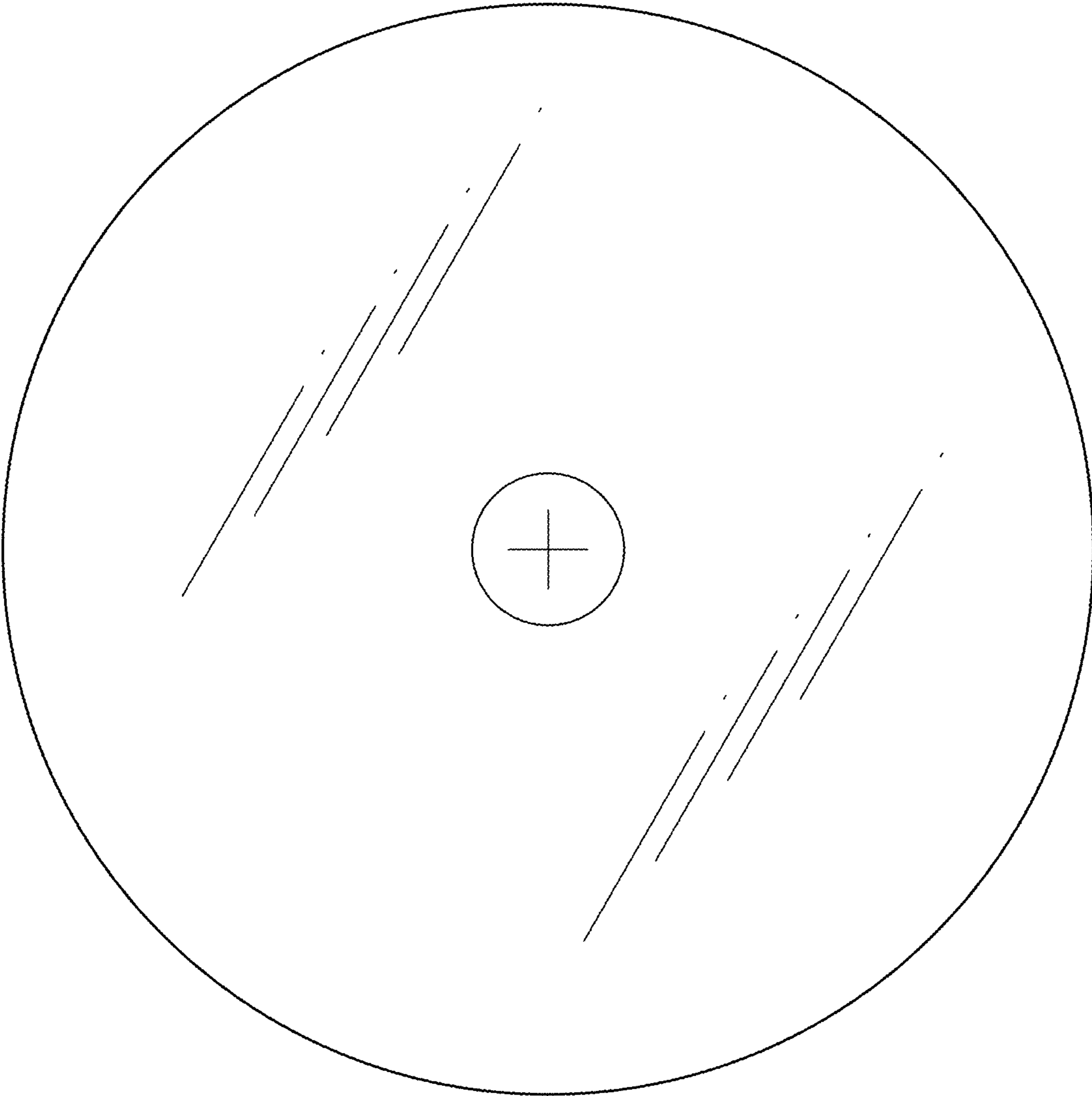


FIG. 7