



US00D787260S

(12) **United States Design Patent** (10) **Patent No.:** **US D787,260 S**
Krooshof (45) **Date of Patent:** **** May 23, 2017**

(54) **LOW FAT FRYER MULTICOOKER**

A47J 37/1266; A47J 37/1285; A47J 37/129; A47J 37/1295; G07F 17/0064; G07F 17/0078; G07F 17/0085; H05B 6/02; H05B 6/06; H05B 6/12

(71) Applicant: **KONINKLIJKE PHILIPS N.V.**,
Eindhoven (NL)

See application file for complete search history.

(72) Inventor: **Roeland Gerard Krooshof**, Rotterdam
(NL)

(56) **References Cited**

(73) Assignee: **KONINKLIJKE PHILIPS N.V.**,
Eindhoven (NL)

U.S. PATENT DOCUMENTS

(**) Term: **15 Years**

3,020,824 A 2/1962 Pantermoller
D299,903 S 2/1989 Grutzke
D313,531 S 1/1991 Barrault
D369,270 S 4/1996 Payen
D394,187 S 5/1998 Orrico et al.

(21) Appl. No.: **29/586,658**

(Continued)

(22) Filed: **Dec. 6, 2016**

Related U.S. Application Data

OTHER PUBLICATIONS

(63) Continuation of application No. 29/560,172, filed on Apr. 4, 2016, which is a continuation of application No. 29/509,436, filed on Nov. 18, 2014, now abandoned, which is a continuation of application No. 29/466,292, filed on Sep. 6, 2013, now Pat. No. Des. 719,397.

Roeland Gerard Krooshof, U.S. Appl. No. 29/560,172, Low Fat Fryer Multicooker, filed Apr. 4, 2016.

(Continued)

(30) **Foreign Application Priority Data**

Primary Examiner — Ricky Pham

Mar. 7, 2013 (EM) 002198499-0001

(57) **CLAIM**

(51) **LOC (10) Cl.** **07-02**

The ornamental design for a low fat fryer multicooker, as shown and described.

(52) **U.S. Cl.**

DESCRIPTION

USPC **D7/354**

(58) **Field of Classification Search**

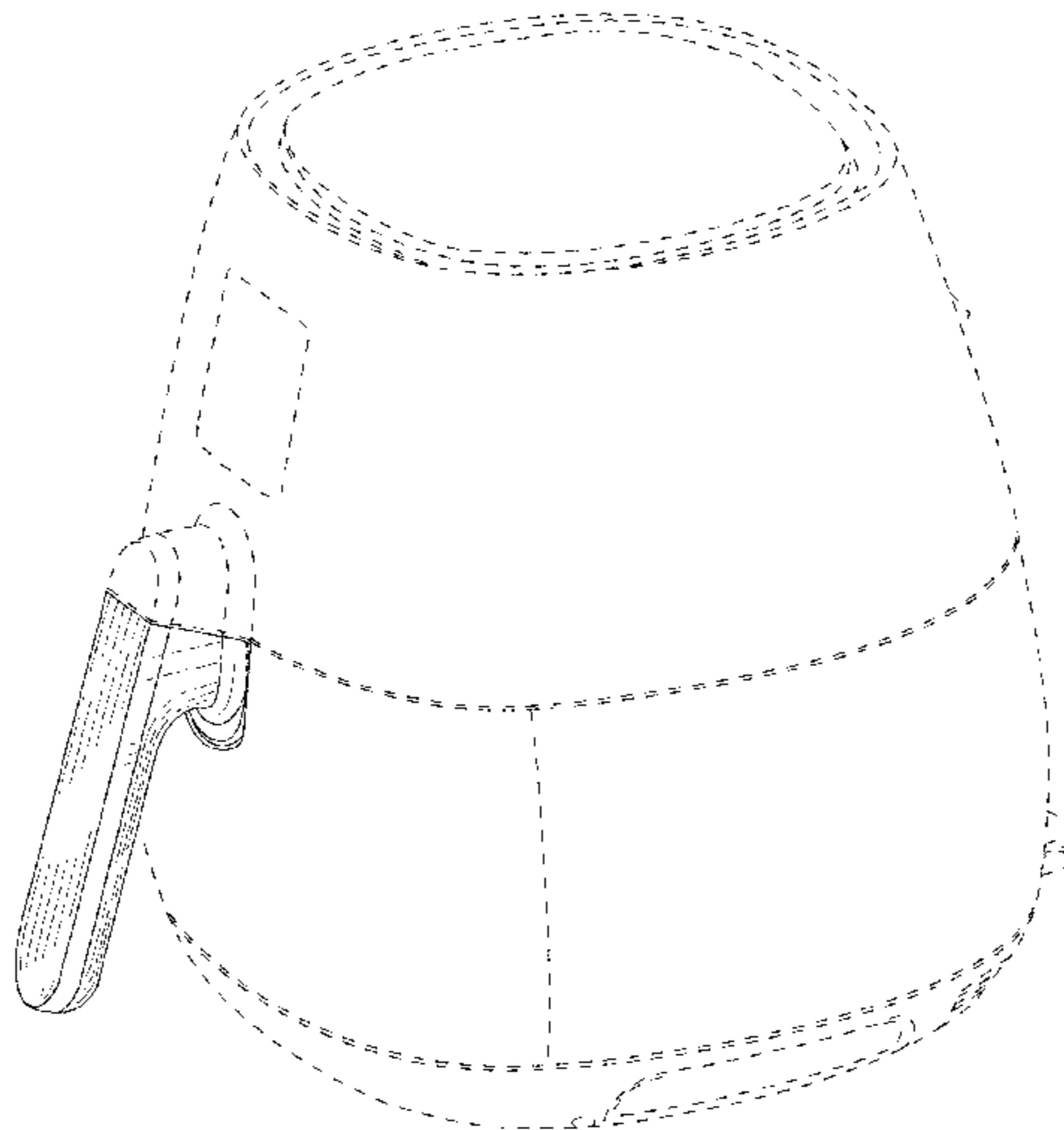
USPC D7/323, 326, 354-361, 393, 397,
D7/509-510, 533, 543, 629

CPC A23L 1/01; A23L 1/0107; A23L 1/0114;
A47J 27/00; A47J 27/08; A47J 27/09;
A47J 27/092; A47J 36/025; A47J 36/06;
A47J 36/08; A47J 36/10; A47J 36/12;
A47J 36/165; A47J 36/18; A47J 36/20;
A47J 36/22; A47J 37/00; A47J 37/043;
A47J 37/12; A47J 37/1204; A47J 37/1209;
A47J 37/1214; A47J 37/1219;

FIG. 1 is a top, front, right perspective view showing my design;
FIG. 2 is a front elevational view thereof;
FIG. 3 is a rear elevational view thereof;
FIG. 4 is a left side elevational view thereof;
FIG. 5 is a right side elevational view thereof;
FIG. 6 is a top plan view thereof; and,
FIG. 7 is a bottom plan view thereof.

The broken lines of even length depict portions of the low fat fryer multicooker that form no part of the claimed design.

1 Claim, 7 Drawing Sheets



(56)

References Cited

U.S. PATENT DOCUMENTS

D436,795 S 1/2001 Martres et al.
 D448,236 S 9/2001 Murray
 D464,526 S 10/2002 Brown
 6,499,390 B1 12/2002 Huang
 6,807,899 B2 10/2004 Dirand
 D507,151 S * 7/2005 Schuler D7/509
 D510,238 S 10/2005 Yen
 D522,796 S 6/2006 Teh-Hsiung
 D525,478 S 7/2006 Averty
 D533,393 S 12/2006 Sidet et al.
 D552,921 S 10/2007 Garman et al.
 D555,427 S 11/2007 Picozza et al.
 D557,552 S 12/2007 Matras
 D587,967 S * 3/2009 Wahl D7/507
 D592,008 S 5/2009 Reiner
 D593,372 S * 6/2009 Carreno D7/608
 D611,757 S 3/2010 Reiner
 D630,467 S 1/2011 Harrod
 D653,902 S 2/2012 Chen
 D669,307 S * 10/2012 Makhanlall D7/316
 D673,426 S 1/2013 Heiberg et al.
 D674,651 S 1/2013 Berge
 D677,112 S 3/2013 Piret

D677,113 S 3/2013 Reiner
 D680,800 S 4/2013 Berge
 D680,801 S * 4/2013 Seymour D7/354
 D680,802 S 4/2013 Seymour
 D681,392 S 5/2013 Dichraff et al.
 D688,094 S 8/2013 Arnold et al.
 D692,718 S 11/2013 Verbrugge et al.
 D701,075 S 3/2014 Wai
 D712,702 S * 9/2014 Stamper D7/543
 D713,206 S * 9/2014 Lane D7/533
 D716,096 S * 10/2014 Krooshof D7/326
 D719,397 S * 12/2014 Krooshof D7/354
 D746,098 S * 12/2015 Glupker D7/354
 D750,418 S * 3/2016 Allende Fritsch D7/354
 D753,951 S * 4/2016 Cornu D7/316
 2008/0163764 A1 * 7/2008 Payen A47J 37/043
 99/447
 2008/0274246 A1 11/2008 Gluckman et al.

OTHER PUBLICATIONS

Roeland Gerard Krooshof, U.S. Appl. No. 29/560,173, Low Fat Fryer Multicooker, filed Apr. 4, 2016.

* cited by examiner

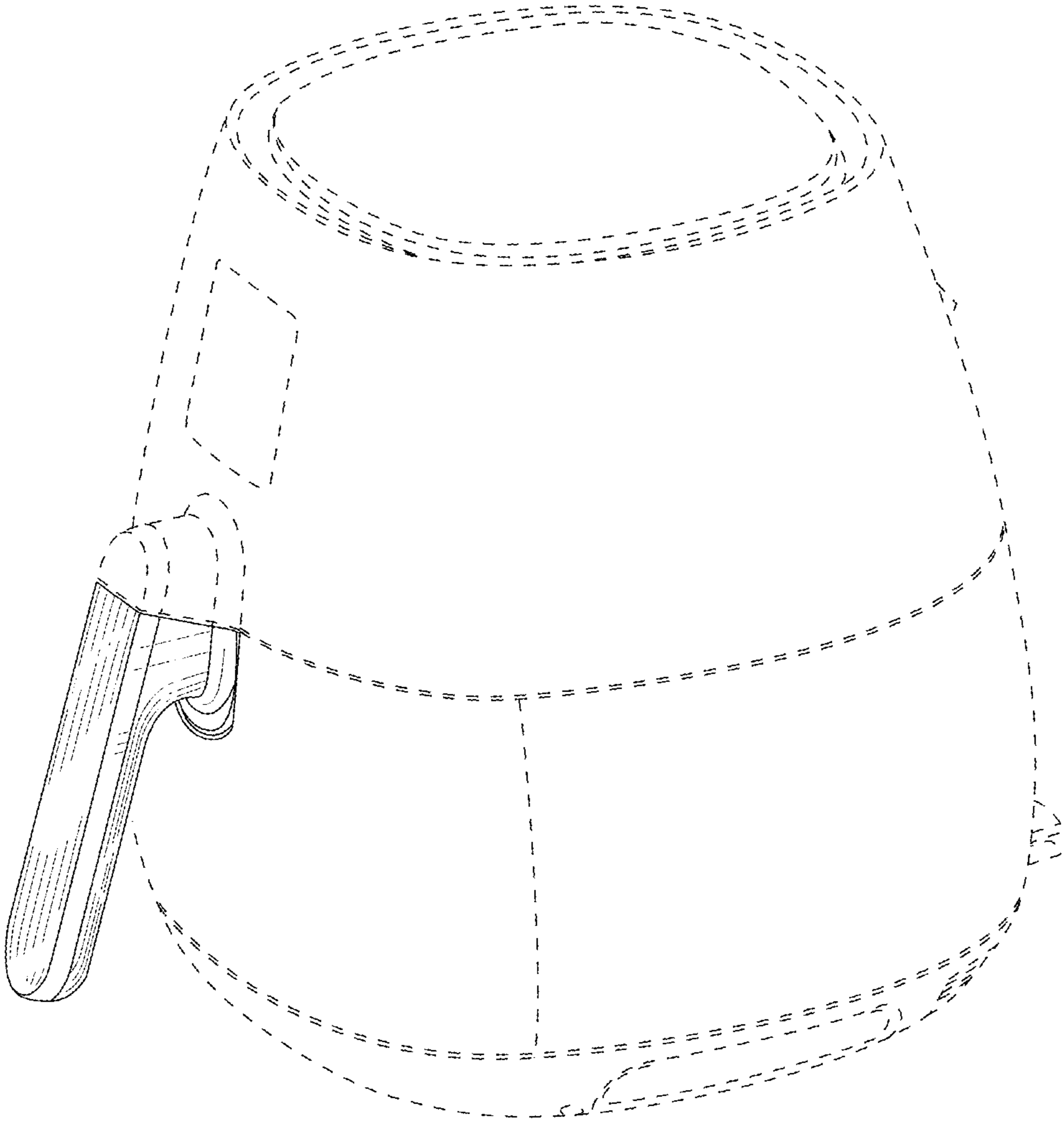


FIG. 1

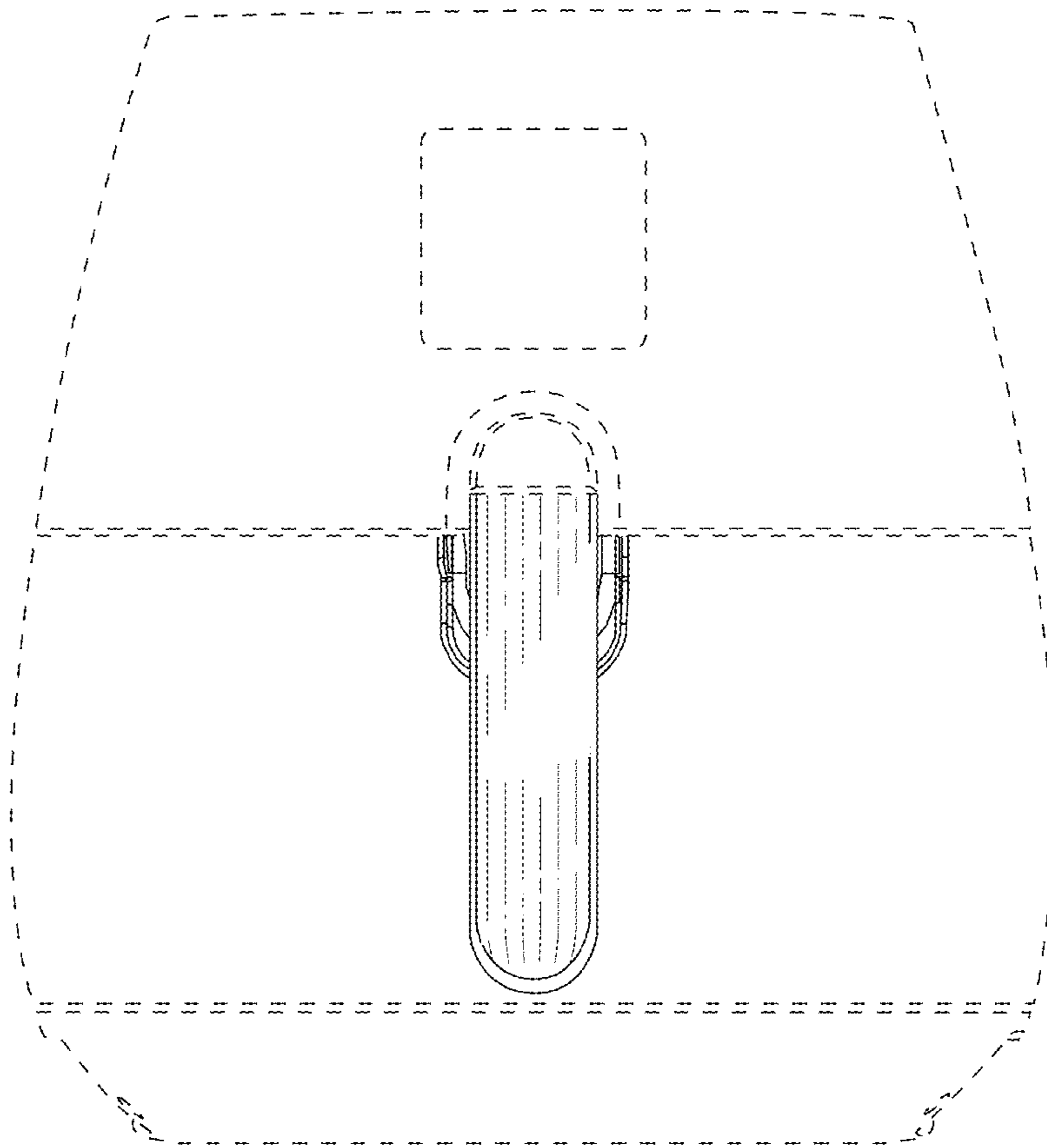


FIG. 2

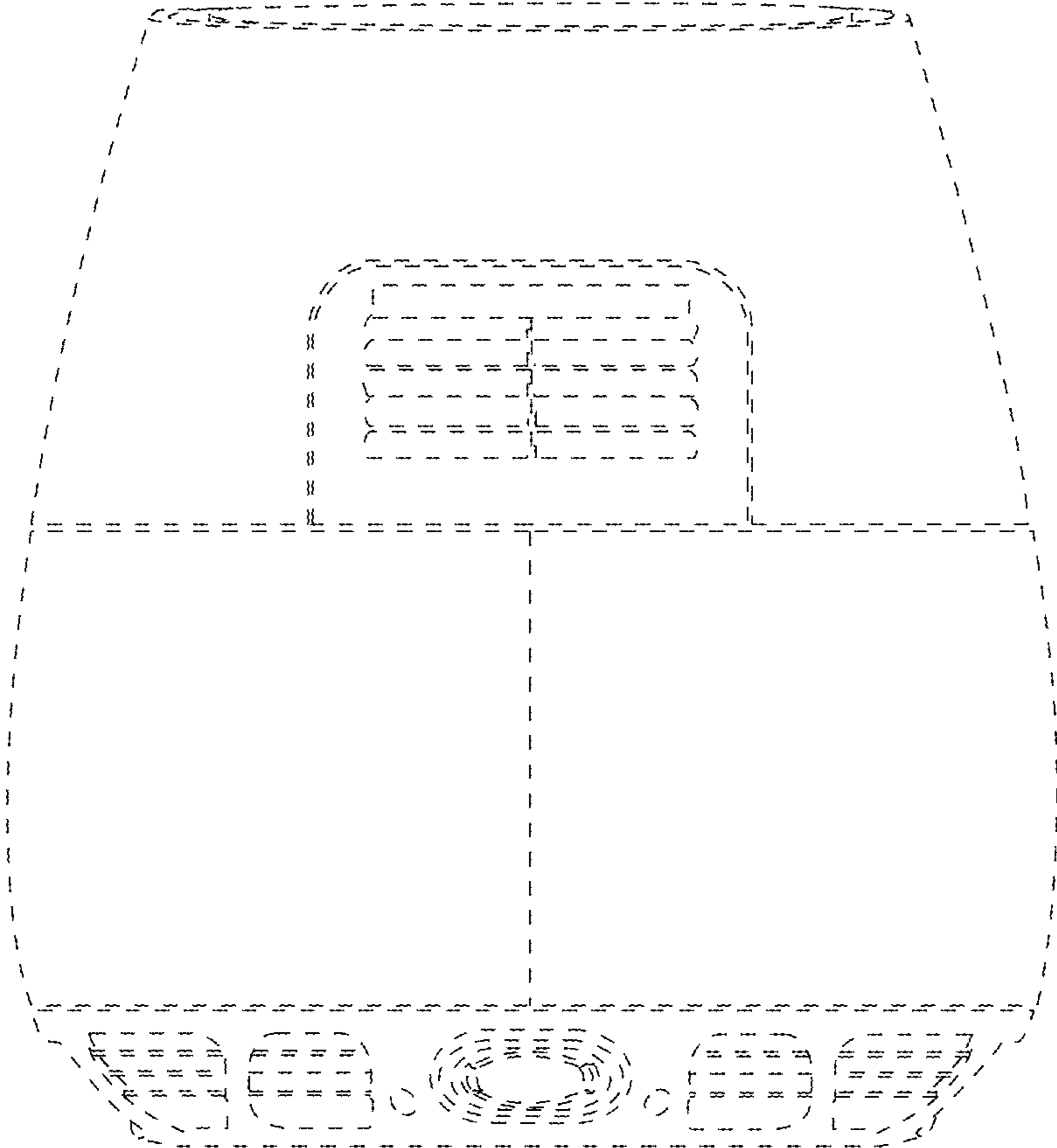


FIG. 3

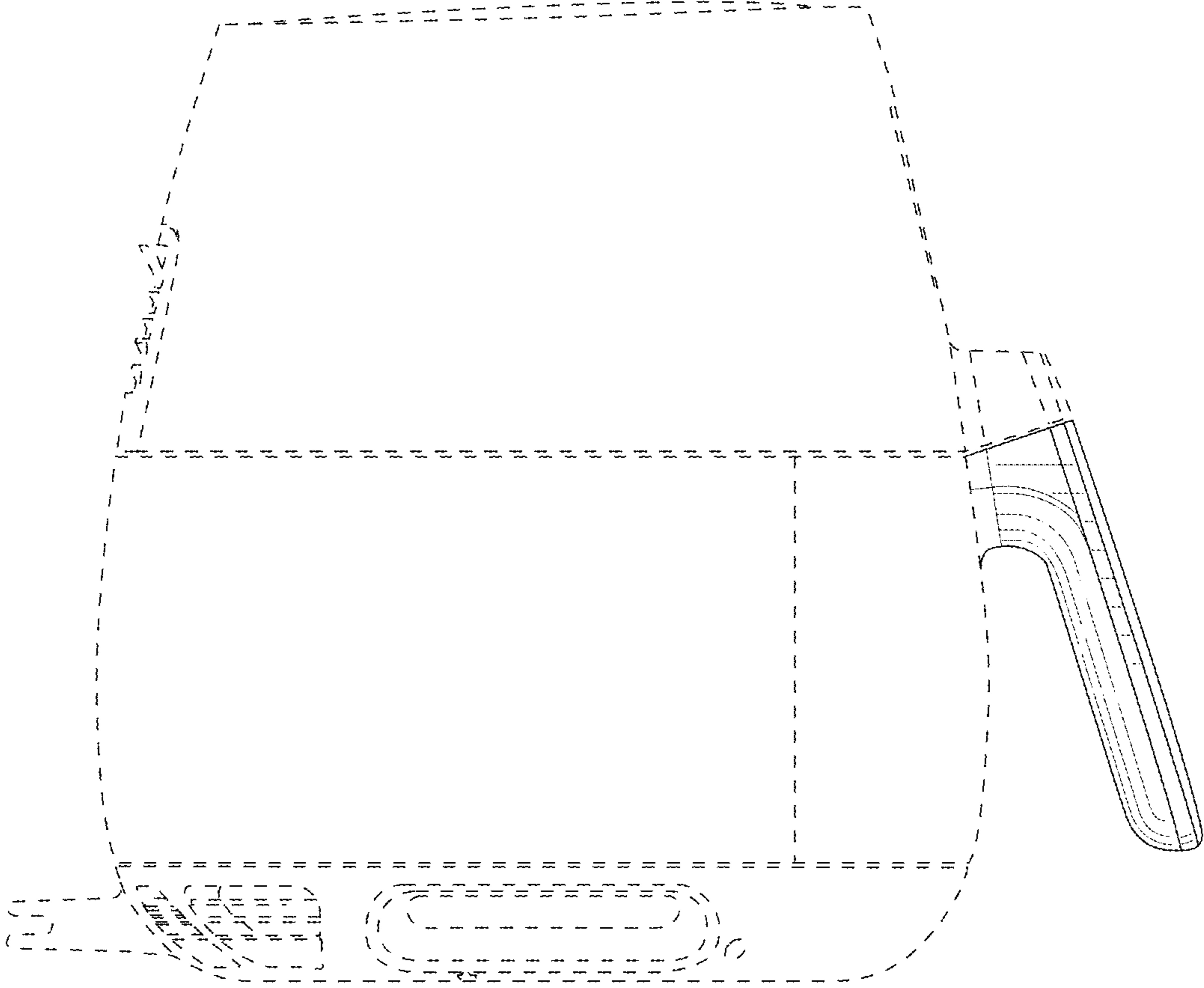


FIG. 4

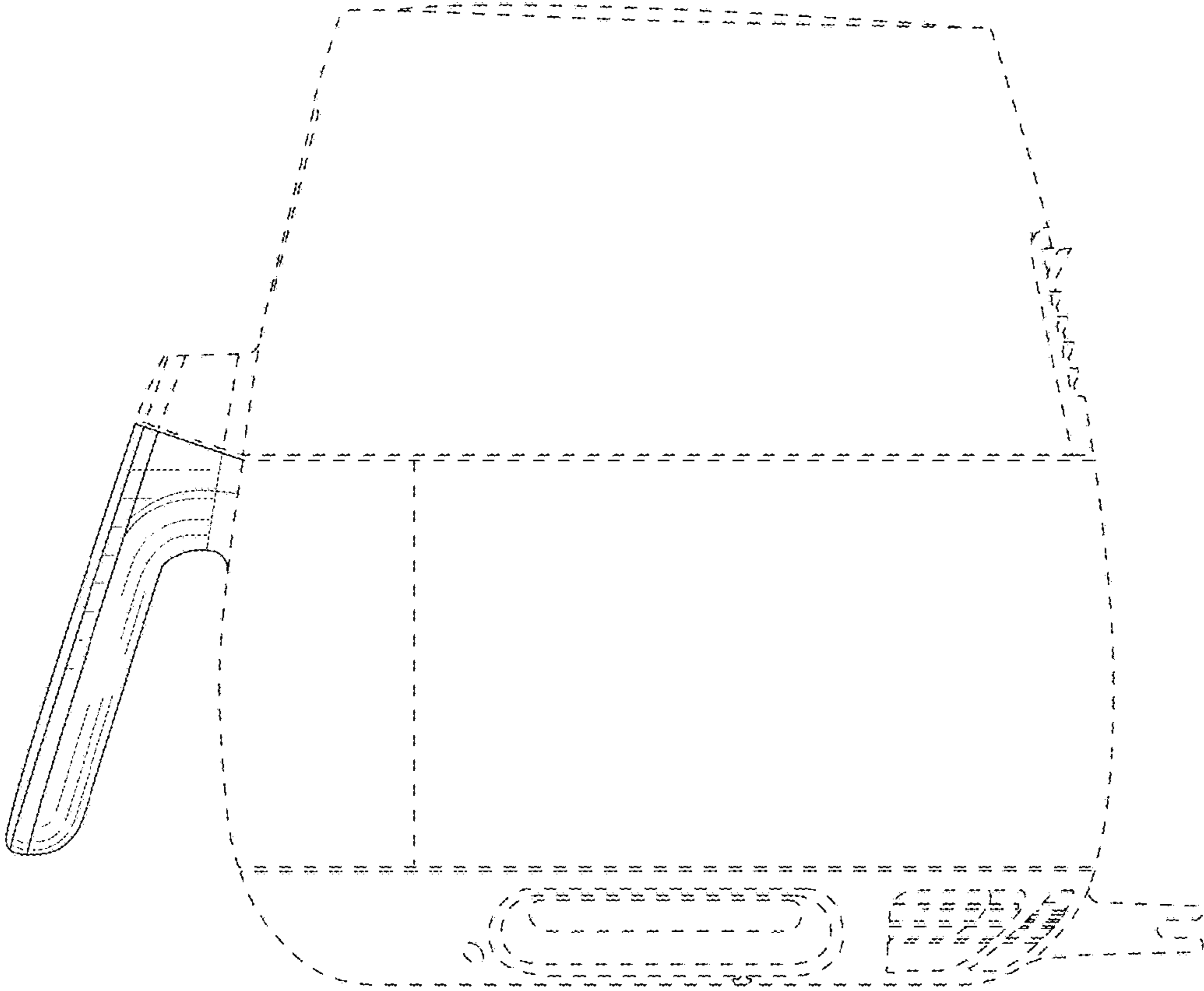


FIG. 5

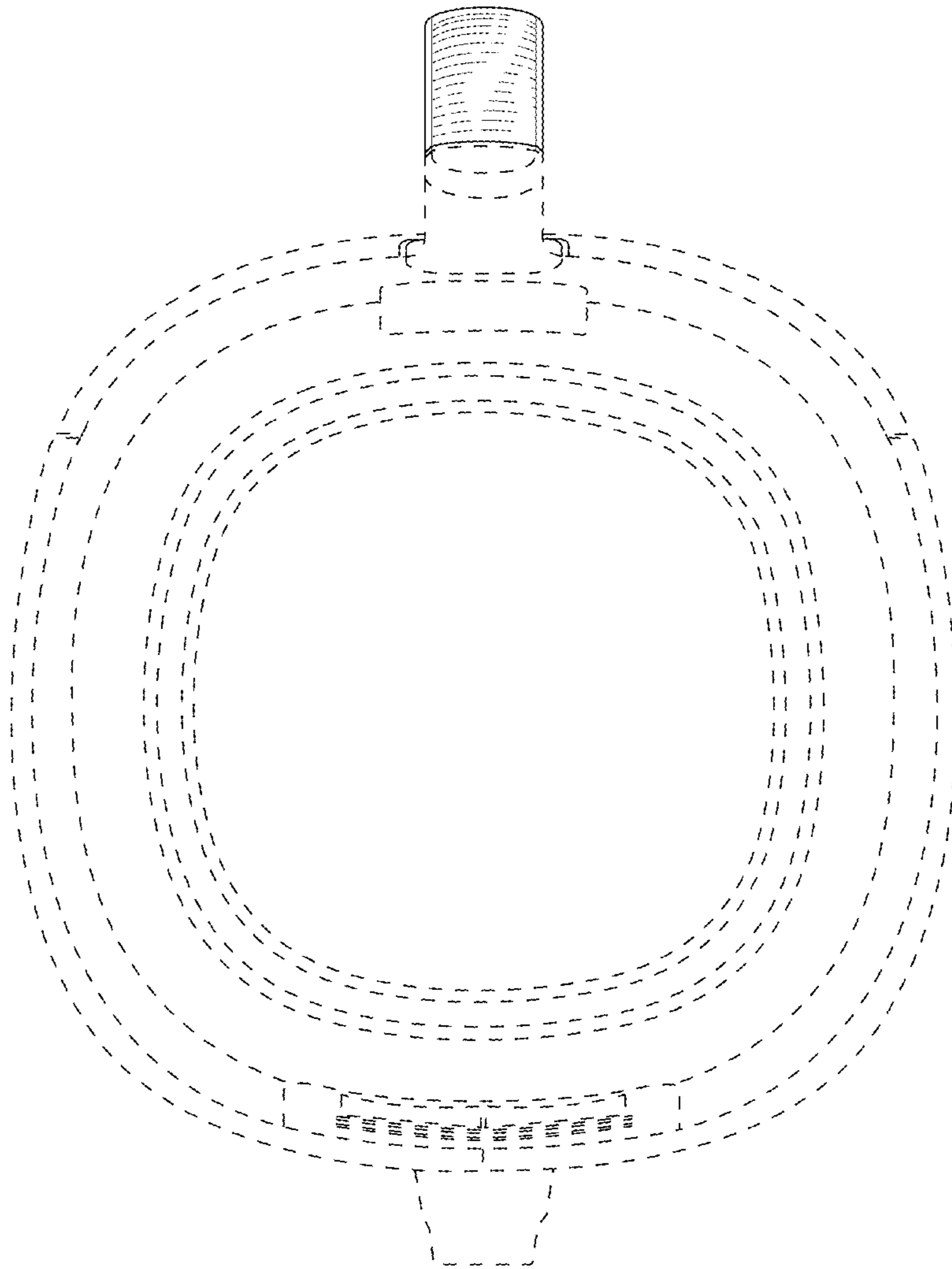


FIG. 6

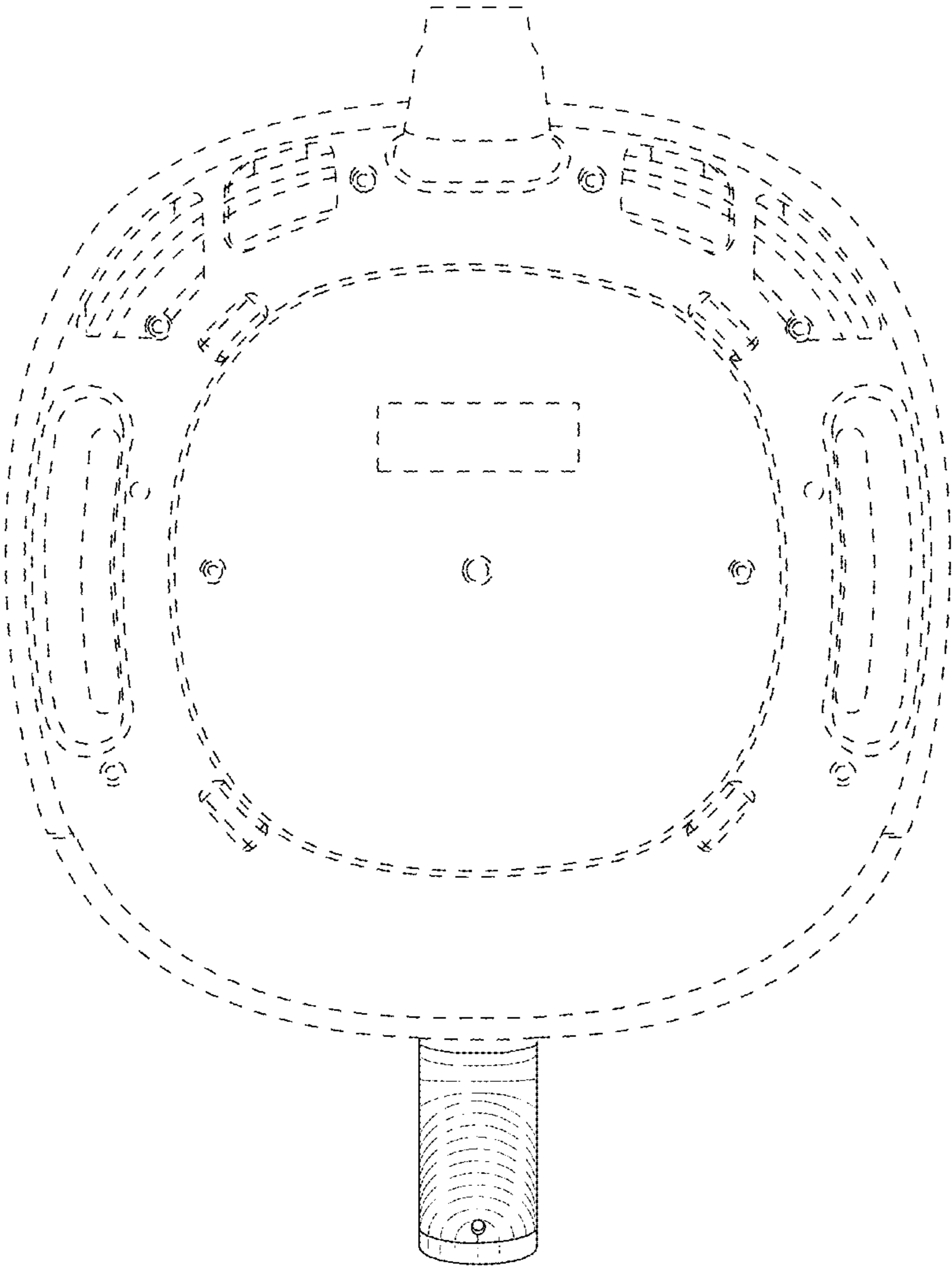


FIG. 7