

US00D787258S

(12) **United States Design Patent**
Chung

(10) **Patent No.:** **US D787,258 S**

(45) **Date of Patent:** **** May 23, 2017**

(54) **RICE COOKER**

(71) Applicant: **KONINKLIJKE PHILIPS N.V.**,
Eindhoven (NL)

(72) Inventor: **Wai Kit Chung**, Shanghai (CN)

(73) Assignee: **KONINKLIJKE PHILIPS N.V.**,
Eindhoven (NL)

(**) Term: **15 Years**

(21) Appl. No.: **29/534,794**

(22) Filed: **Jul. 31, 2015**

(30) **Foreign Application Priority Data**

Feb. 2, 2015 (EM) 002624668-0001

(51) **LOC (10) Cl.** **07-02**

(52) **U.S. Cl.**
USPC **D7/354**

(58) **Field of Classification Search**
USPC D7/323, 354-361, 391
CPC .. A47J 27/00; A47J 27/04; A47J 27/05; A47J
27/08; A47J 27/09; A47J 27/092; A47J
27/13; A47J 36/025; A47J 36/06; A47J
36/08; A47J 36/10; A47J 36/12; A47J
37/12; A47J 37/1204; A47J 37/1209;
H05B 6/02; H05B 6/06; H05B 6/12
See application file for complete search history.

(56) **References Cited**

U.S. PATENT DOCUMENTS

D174,721 S * 5/1955 Steinbook D7/360
D330,825 S * 11/1992 Sekita D7/354

D337,479 S * 7/1993 Doi D7/323
D360,804 S * 8/1995 Hamada D7/323
6,283,015 B1 * 9/2001 Kwon A47J 27/09
219/435
D474,937 S * 5/2003 Josancy D7/354
D608,136 S * 1/2010 Choi D7/354
D620,743 S * 8/2010 Hsiao D7/354
D676,271 S * 2/2013 Reiner D7/354
D715,088 S * 10/2014 Kim D7/354
D715,090 S * 10/2014 Lin D7/354
D750,419 S * 3/2016 Hu D7/354
2013/0011537 A1 * 1/2013 Vahid A47J 27/13
426/523

* cited by examiner

Primary Examiner — Ricky Pham

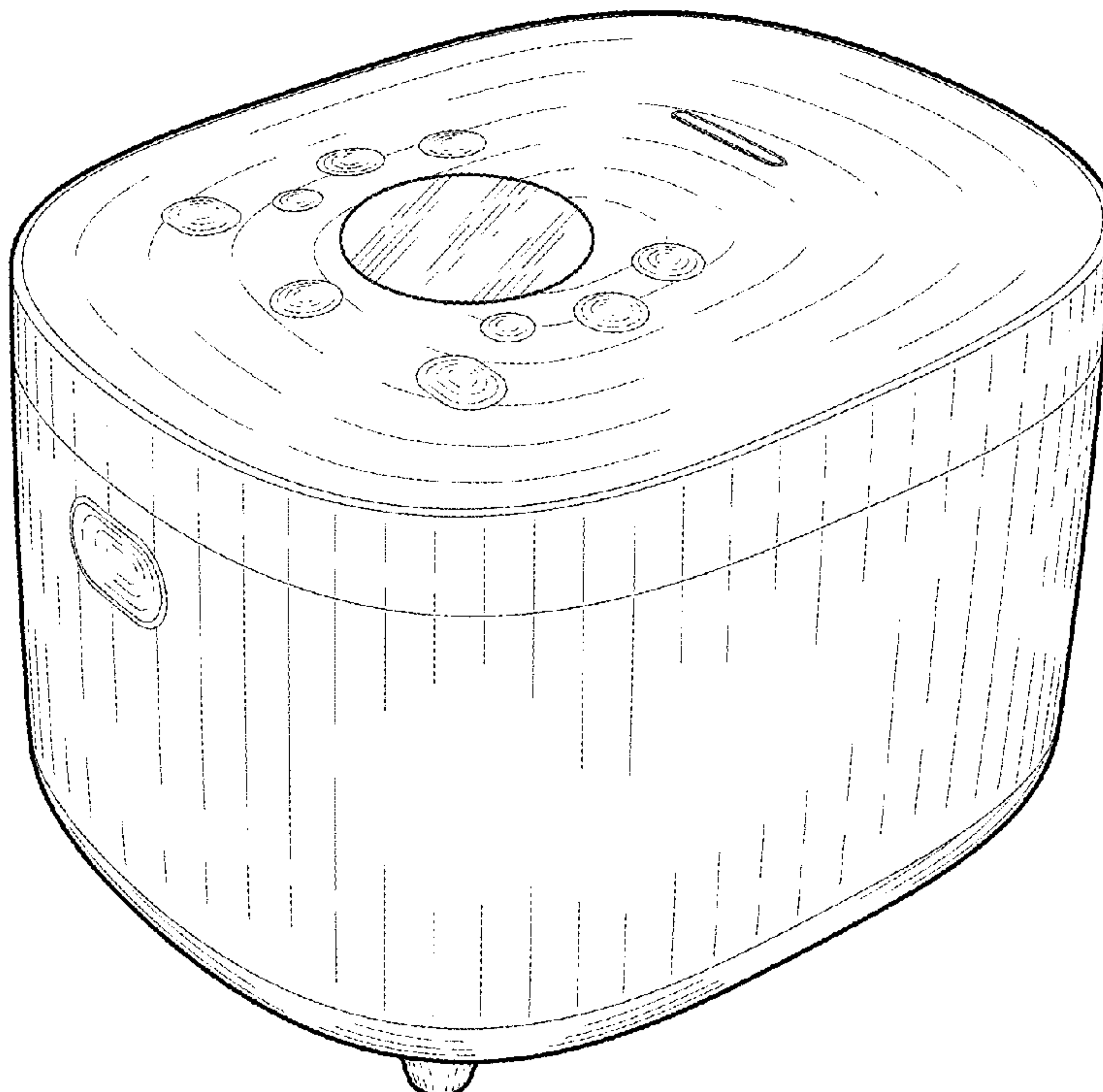
(57) **CLAIM**

The ornamental design for a rice cooker, as shown.

DESCRIPTION

FIG. 1 is a perspective view showing my design;
FIG. 2 is a front elevational view thereof;
FIG. 3 is a rear elevational view thereof;
FIG. 4 is a right elevational view thereof;
FIG. 5 is a left elevational view thereof;
FIG. 6 is a top plan view thereof; and,
FIG. 7 is a bottom plan view thereof.

1 Claim, 5 Drawing Sheets



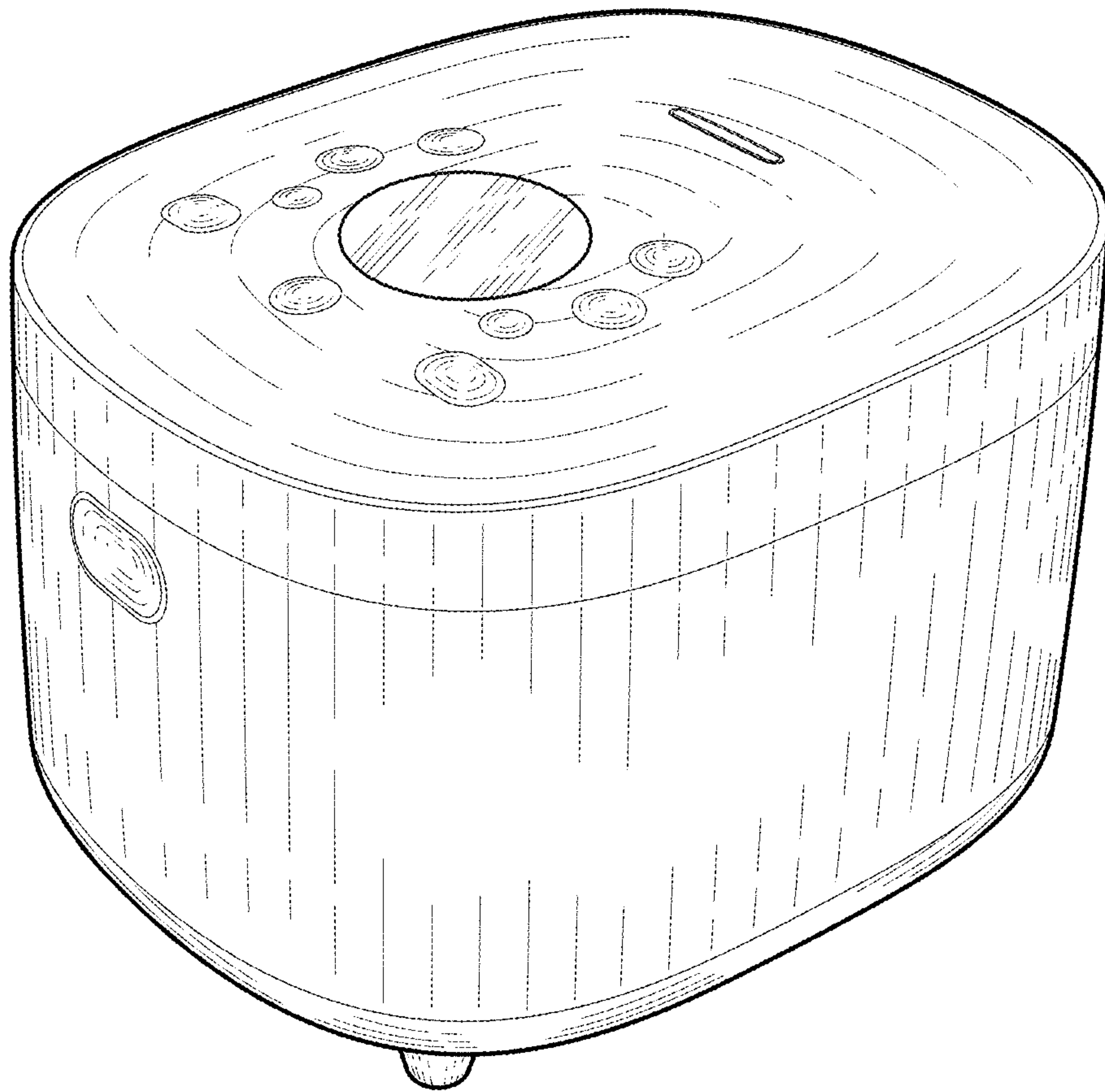


FIG. 1

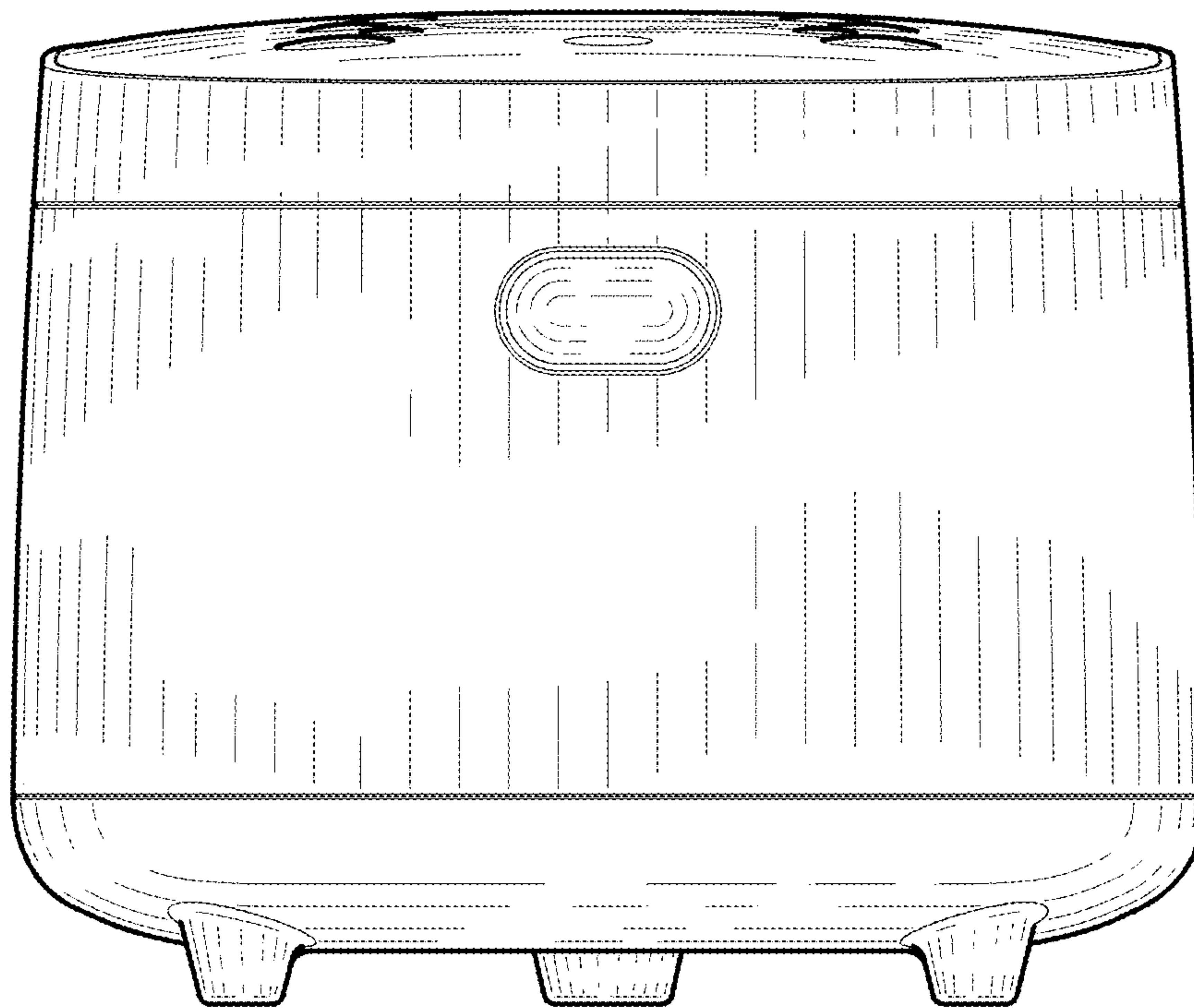


FIG. 2

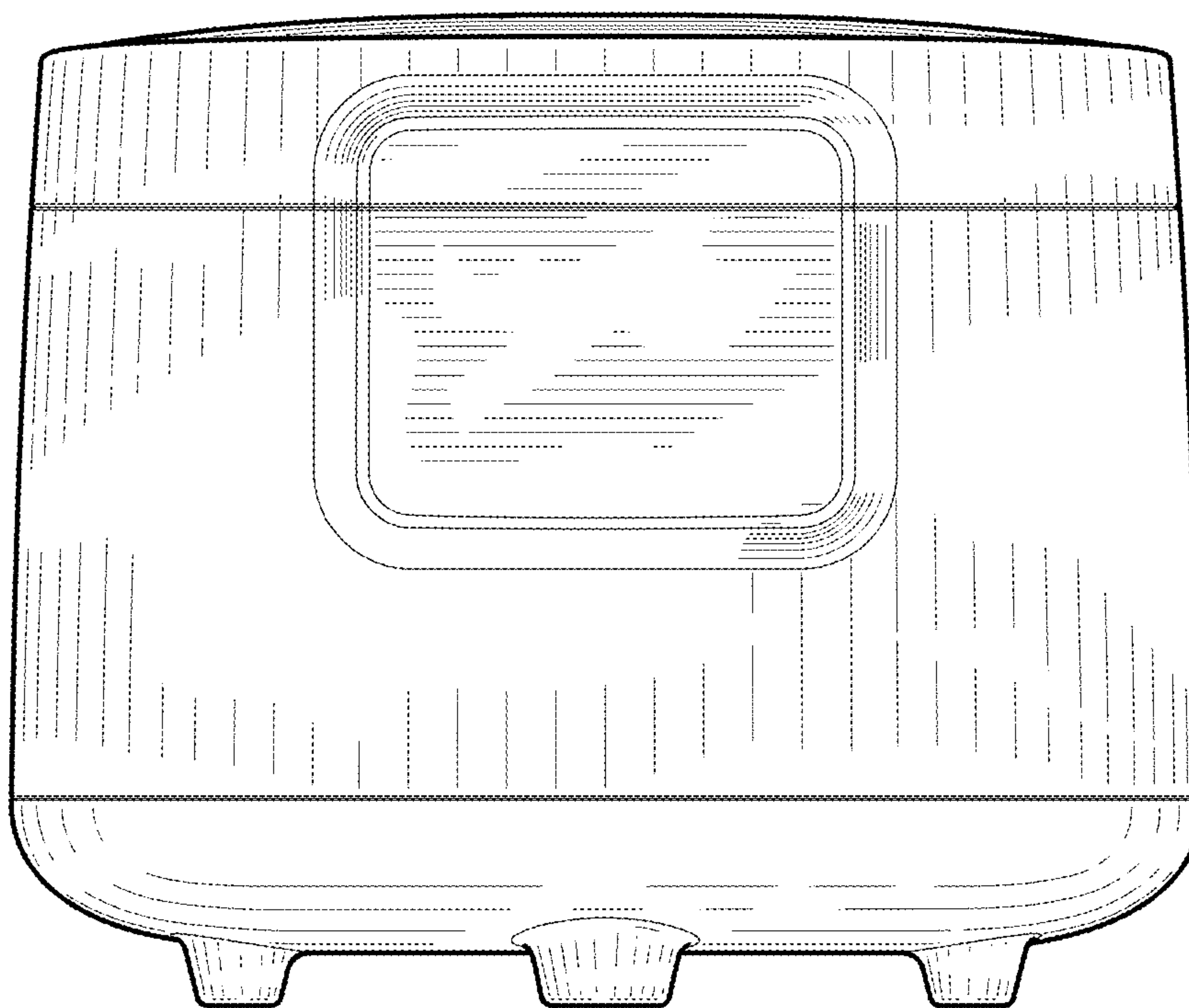


FIG. 3

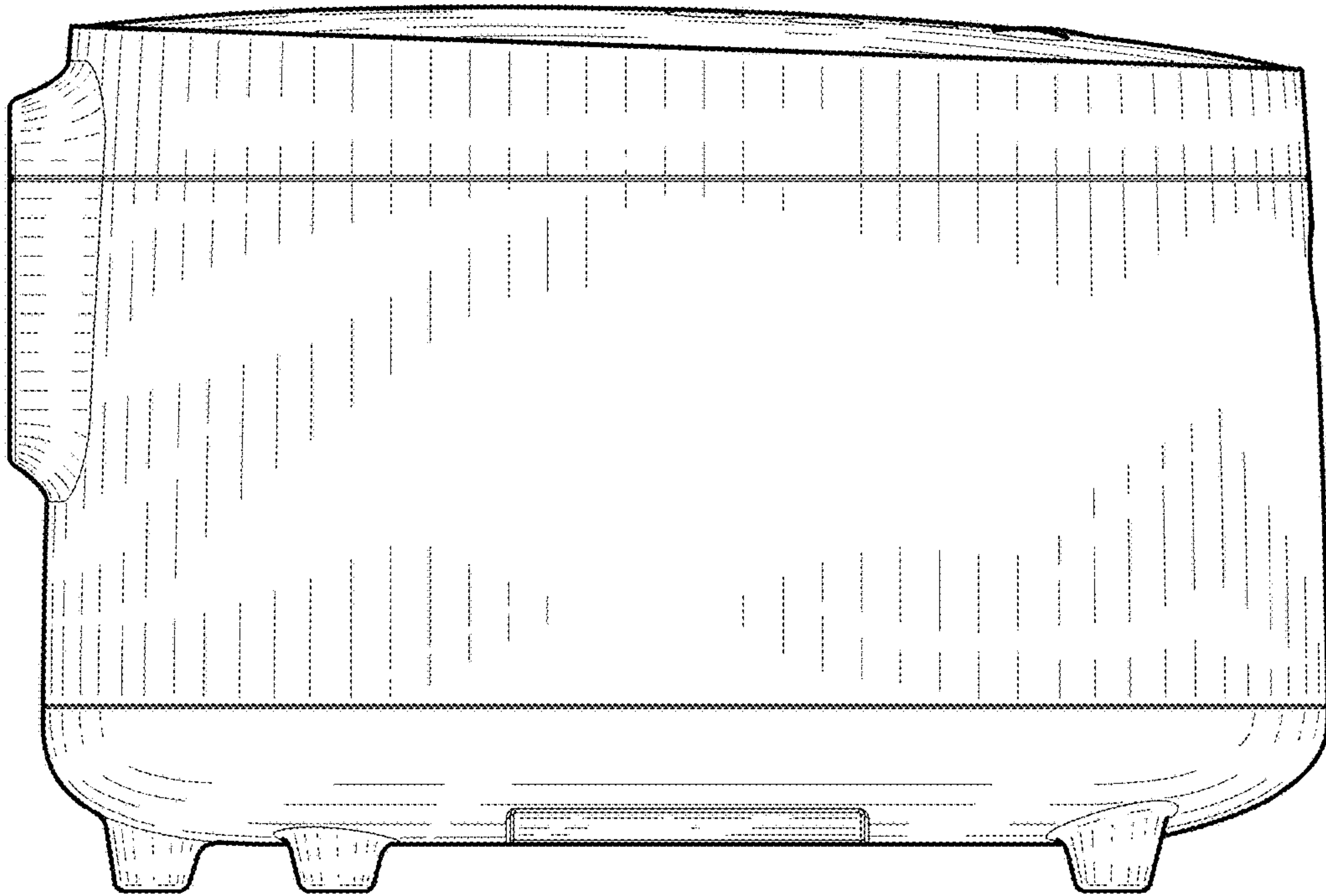


FIG. 4

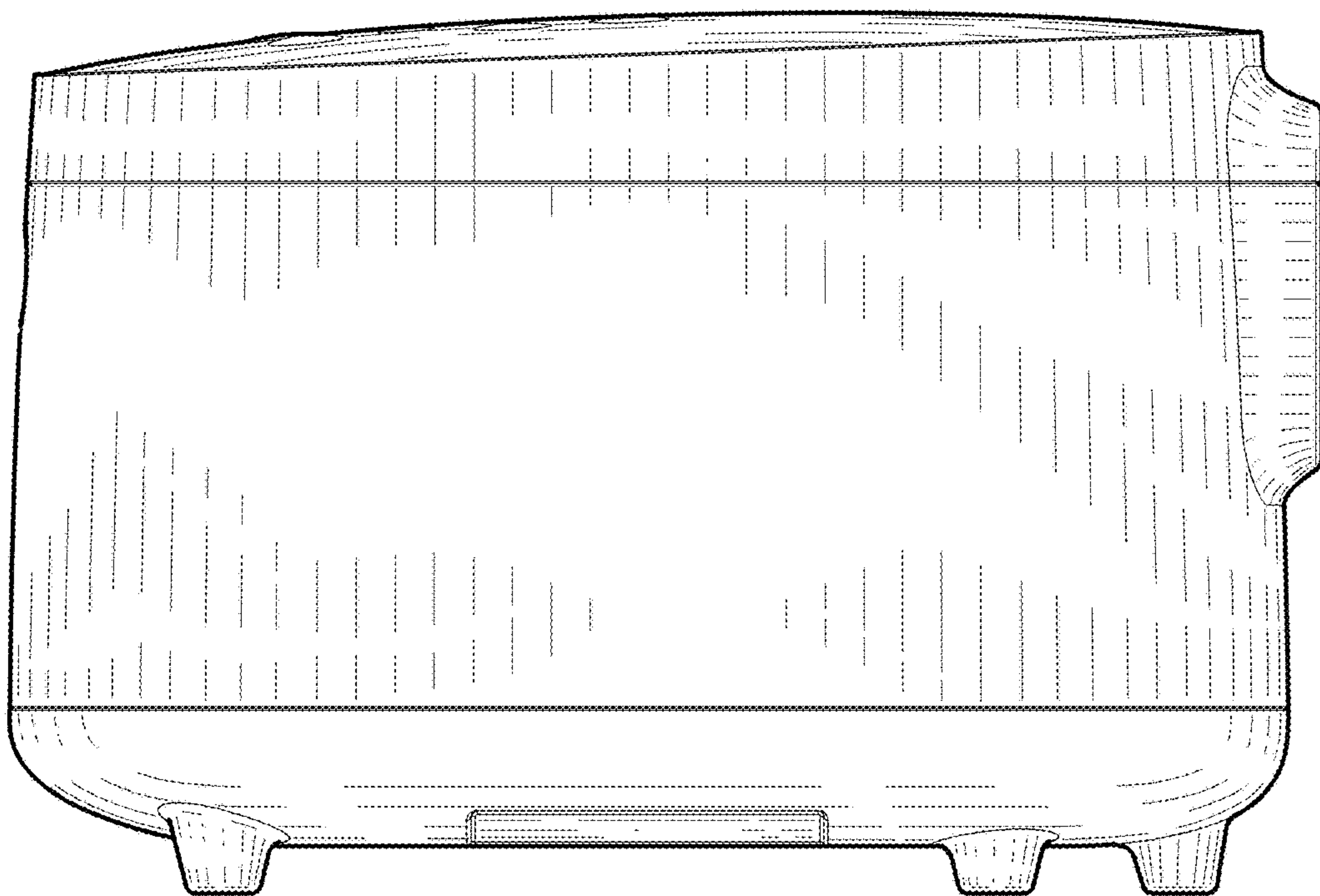


FIG. 5

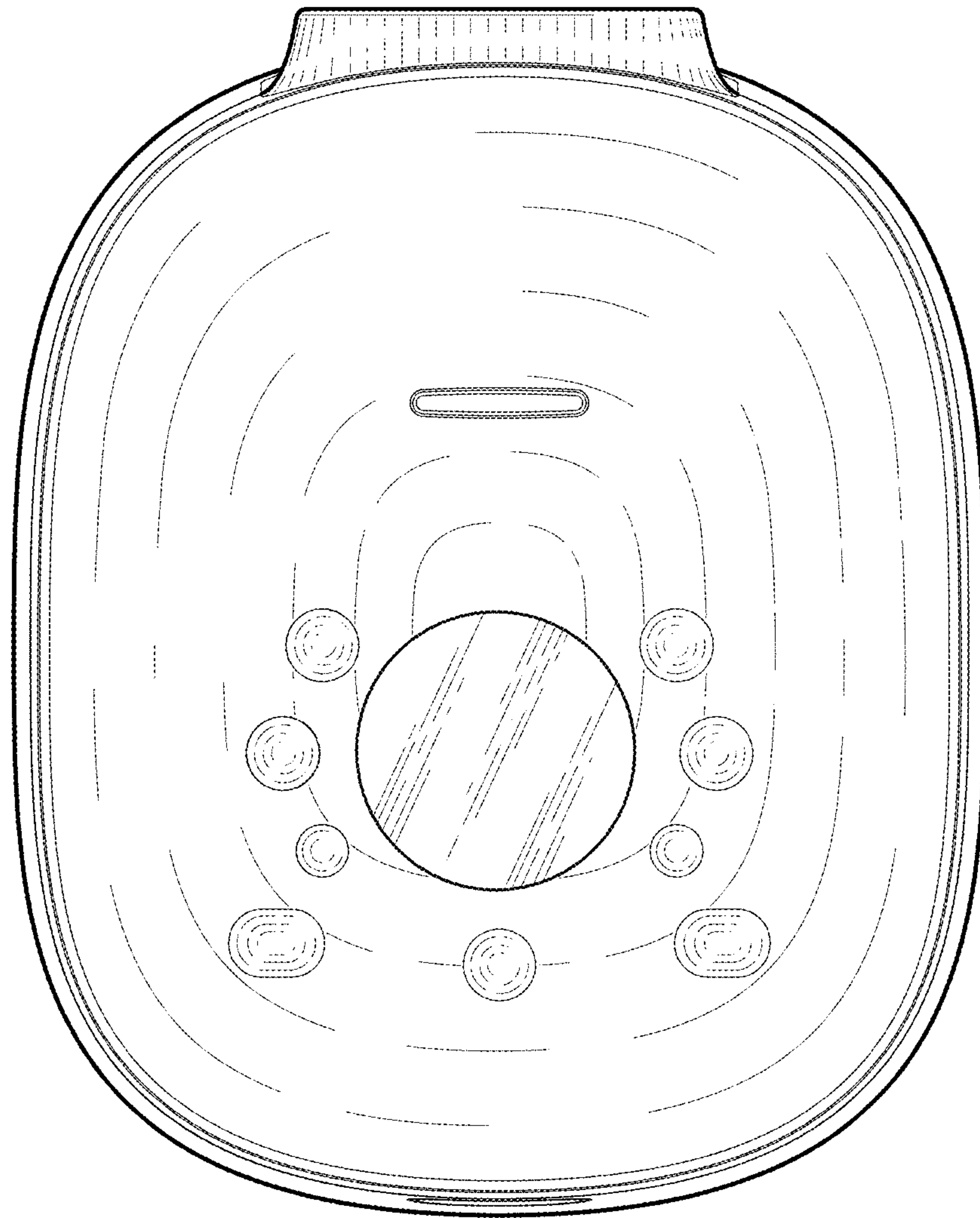


FIG. 6

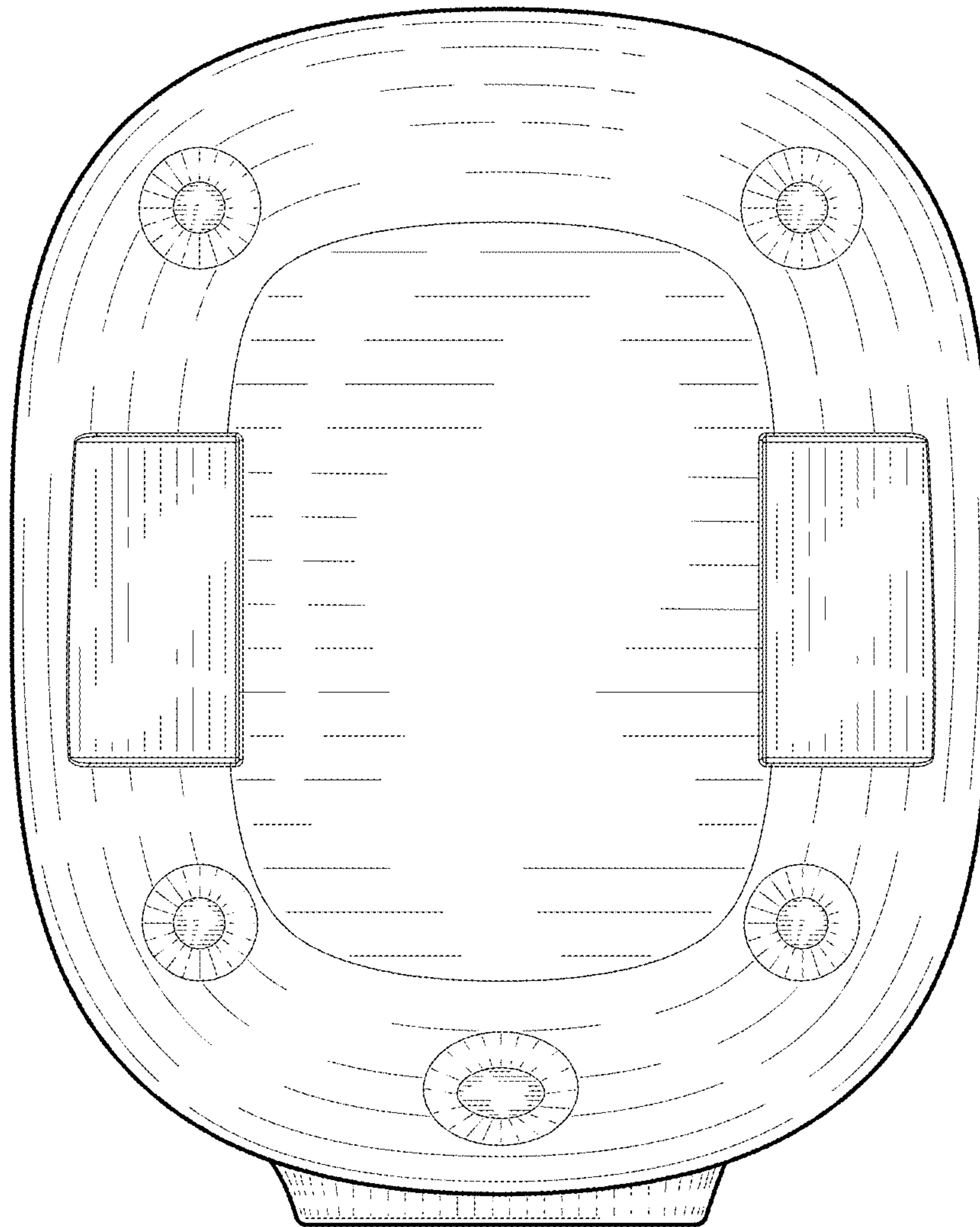


FIG. 7