



US00D787255S

(12) **United States Design Patent** (10) **Patent No.:** **US D787,255 S**
Cho et al. (45) **Date of Patent:** **** May 23, 2017**

(54) **GAS OVEN RANGE**

(56) **References Cited**

(71) Applicant: **LG ELECTRONICS INC.**, Seoul (KR)

U.S. PATENT DOCUMENTS

(72) Inventors: **Sangwoog Cho**, Seoul (KR); **Jaehun Chung**, Seoul (KR)

D477,496 S	*	7/2003	Monguilod	D7/340
D477,497 S	*	7/2003	Monguilod	D7/340
D491,411 S	*	6/2004	De Mello	D7/340
D495,918 S	*	9/2004	De Mello	D7/340
D510,227 S	*	10/2005	Baldwin	D7/340
D536,568 S	*	2/2007	Ostlund	D7/340
D585,696 S	*	2/2009	Monteiro Sindeaux		
D617,133 S	*	6/2010	Grey	D7/340
D652,247 S	*	1/2012	Monteiro Sindeaux		
D697,358 S	*	1/2014	Kim	D7/340
D702,988 S	*	4/2014	Boo	D7/340
D736,553 S	*	8/2015	Funnell, II	D7/339
D773,232 S	*	12/2016	Shoemaker	D7/339

(73) Assignee: **LG ELECTRONICS INC.**, Seoul (KR)

(**) Term: **15 Years**

(21) Appl. No.: **29/534,859**

(22) Filed: **Jul. 31, 2015**

* cited by examiner

(30) **Foreign Application Priority Data**

Primary Examiner — Ricky Pham

Feb. 3, 2015 (KR) 30-2015-0005907

(74) *Attorney, Agent, or Firm* — Birch, Stewart, Kolasch & Birch, LLP

(51) **LOC (10) Cl.** **07-02**

(57) **CLAIM**

(52) **U.S. Cl.**
USPC **D7/340; D7/339; D7/348**

We claim the ornamental design for a gas oven range, as shown and described.

(58) **Field of Classification Search**
USPC D7/323, 328–330, 339–349, 390, D7/402–406; D8/300–306
CPC ... A21B 2/00; A47J 37/00; A47J 37/06; A47J 37/0611; A47J 37/08; A47J 37/0807; A47J 37/0814; A47J 37/0835; A47J 37/0842; A47J 37/085; A47J 37/0864; A47J 37/0878; A47J 37/0885; A47J 37/0892; F24C 7/00; F24C 7/002; F24C 7/046; F24C 7/067; F24C 15/02; F24C 15/04; F24C 15/10; F24C 15/102; F24C 15/107

DESCRIPTION

FIG. 1 is a perspective view of a gas oven range showing our new design;
FIG. 2 is a front elevation view thereof;
FIG. 3 is a rear elevation view thereof;
FIG. 4 is a left-side elevation view thereof;
FIG. 5 is a right-side elevation view thereof;
FIG. 6 is a top plan view thereof;
FIG. 7 is a bottom plan view thereof; and,
FIG. 8 is a perspective view showing its cover in closed position.

See application file for complete search history.

1 Claim, 7 Drawing Sheets

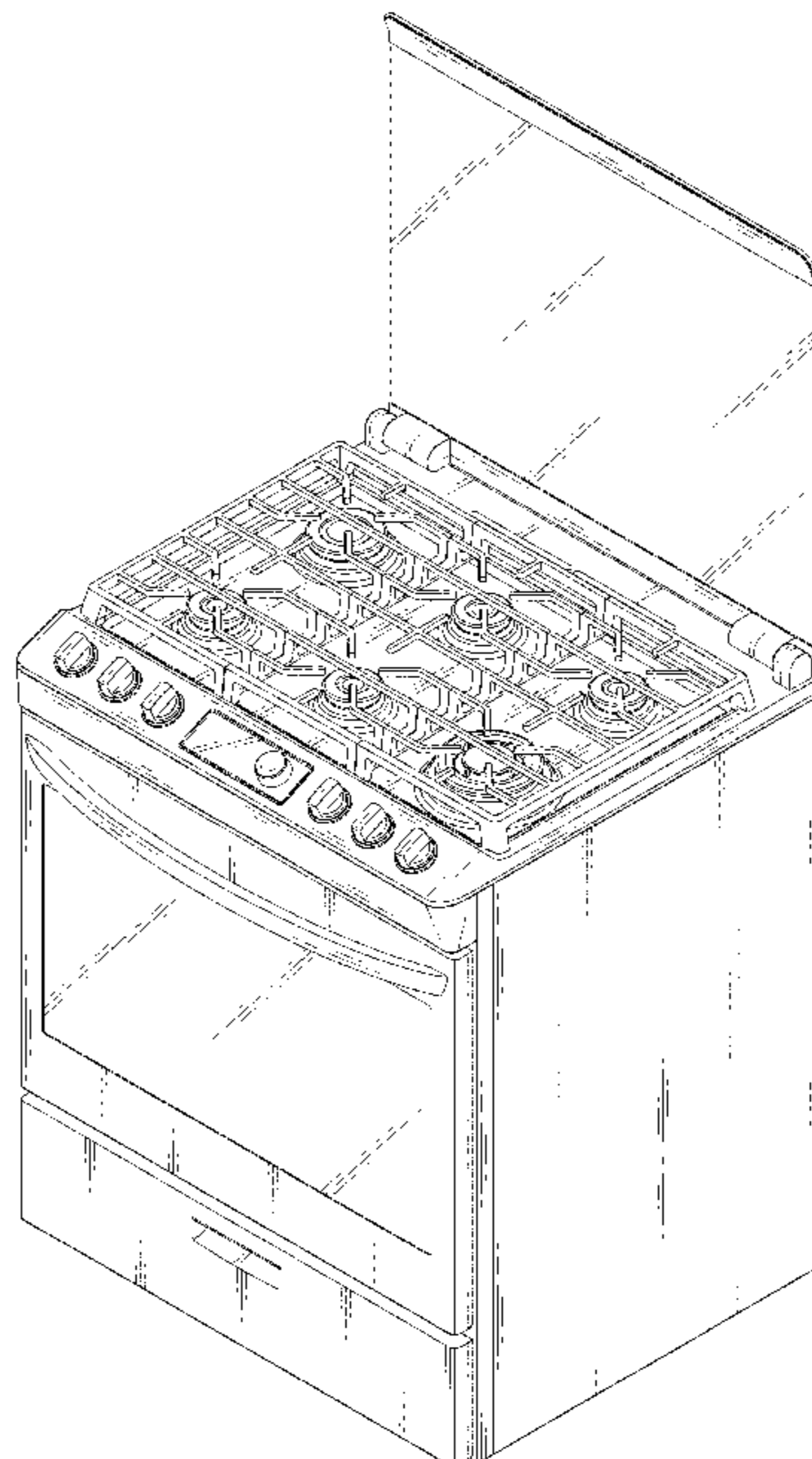


FIG. 1

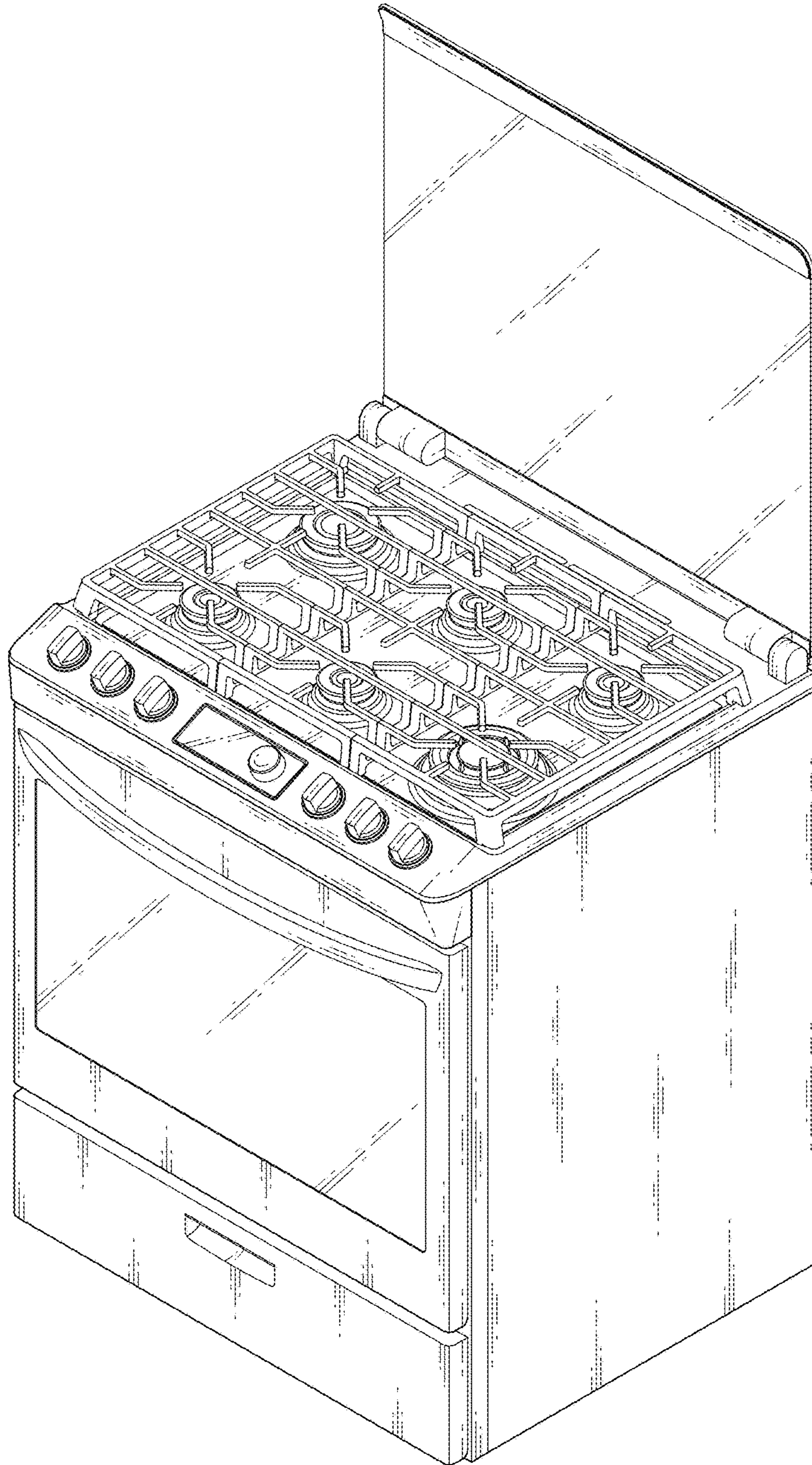


FIG. 2

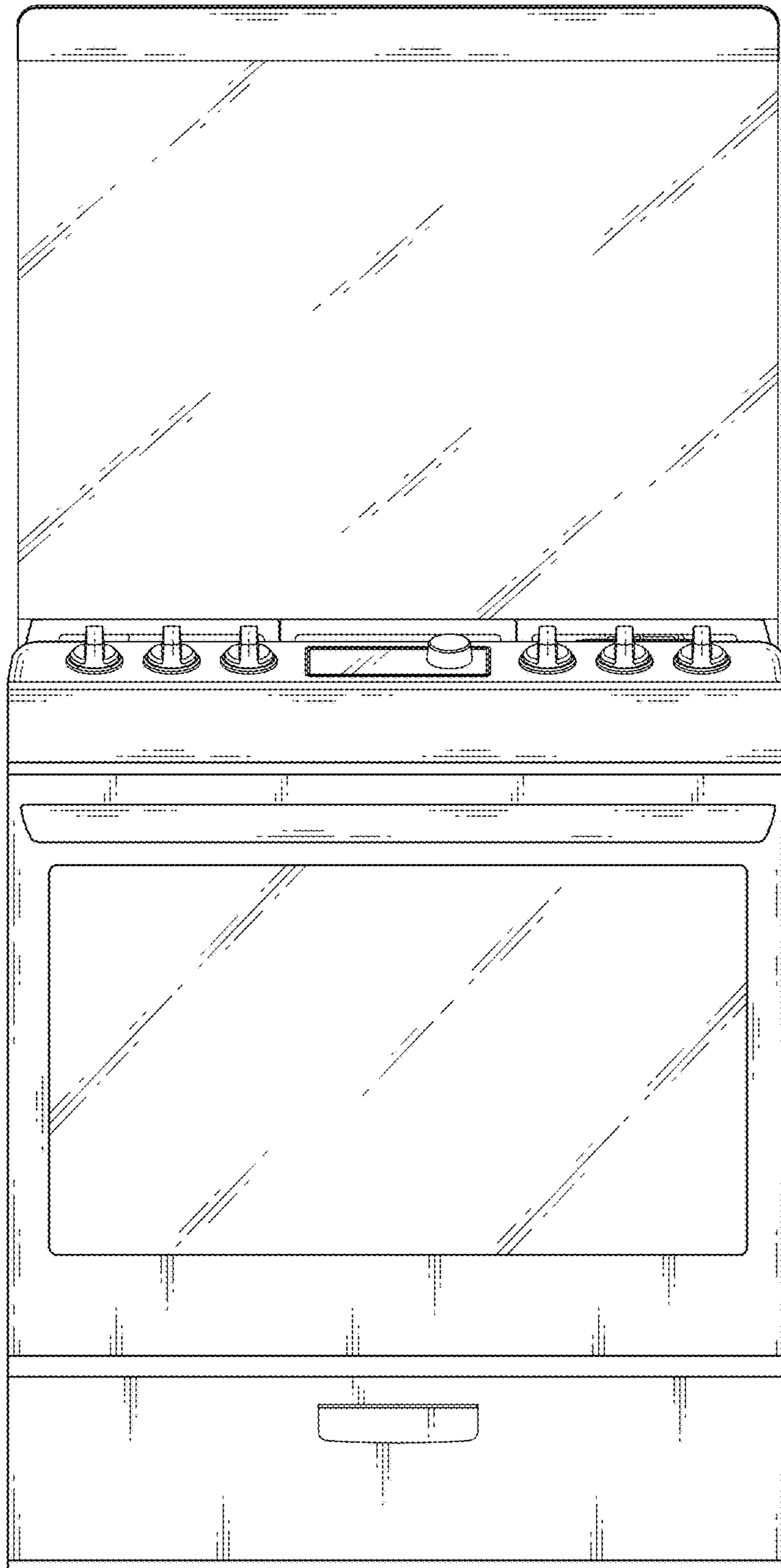


FIG. 3

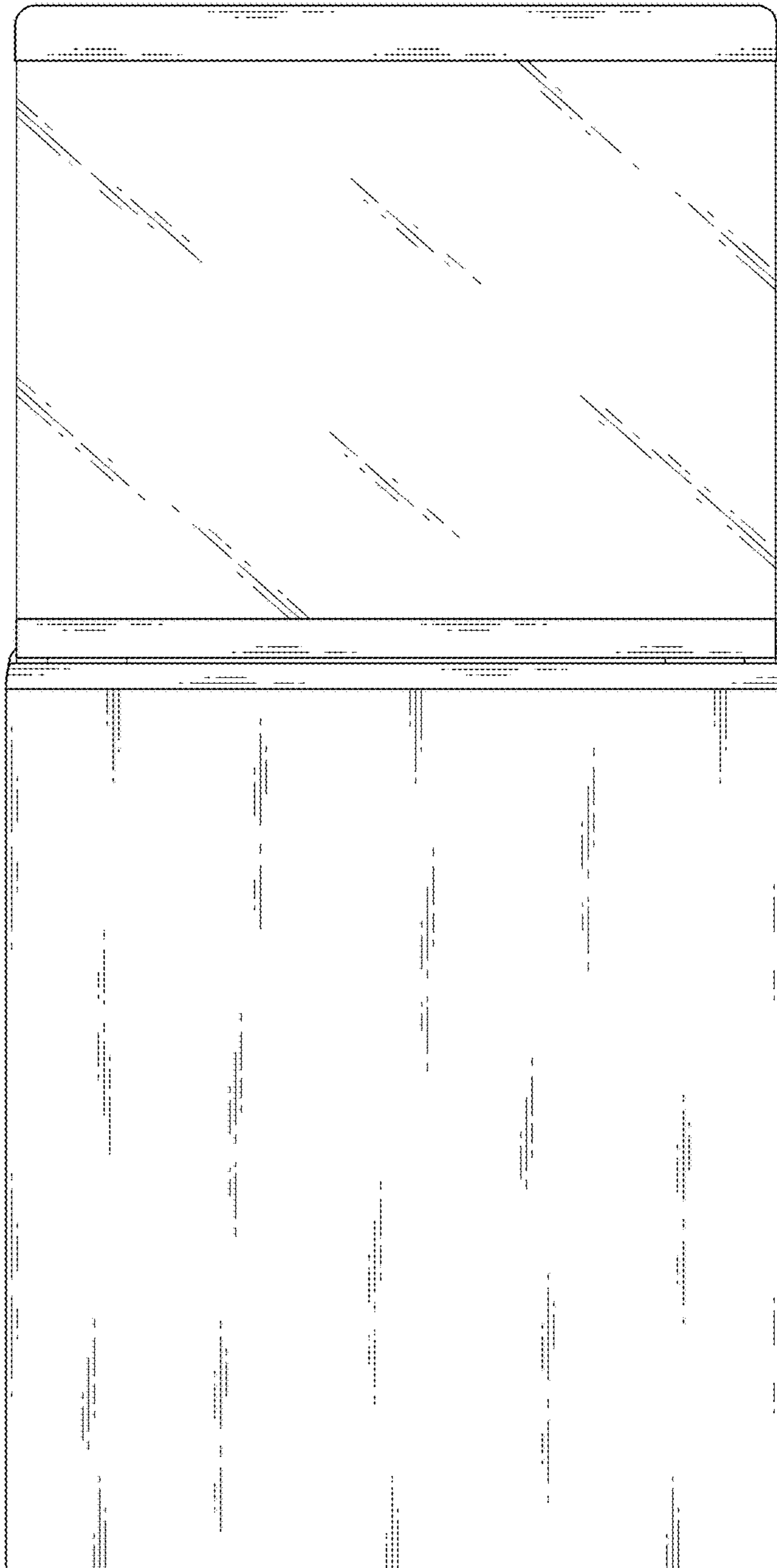


FIG. 4

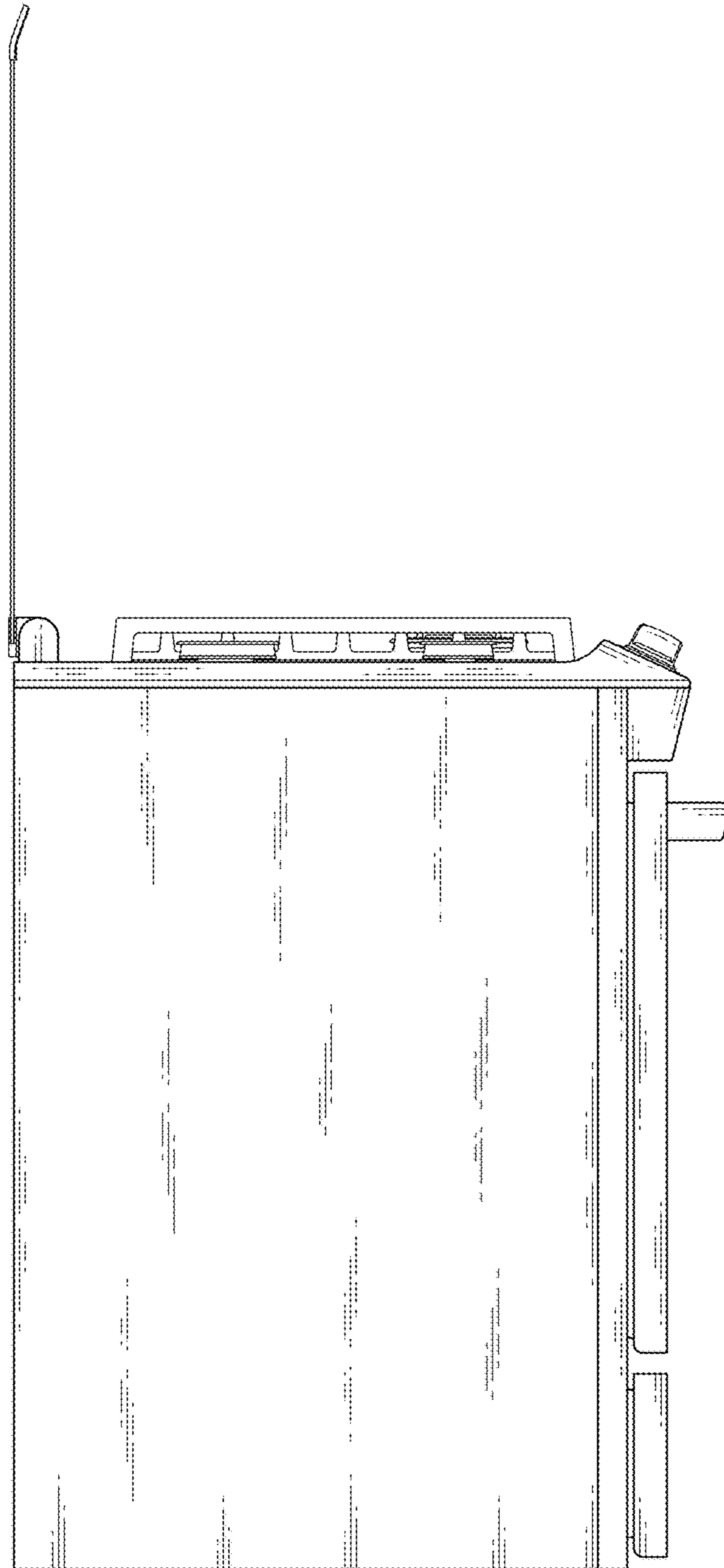


FIG. 5

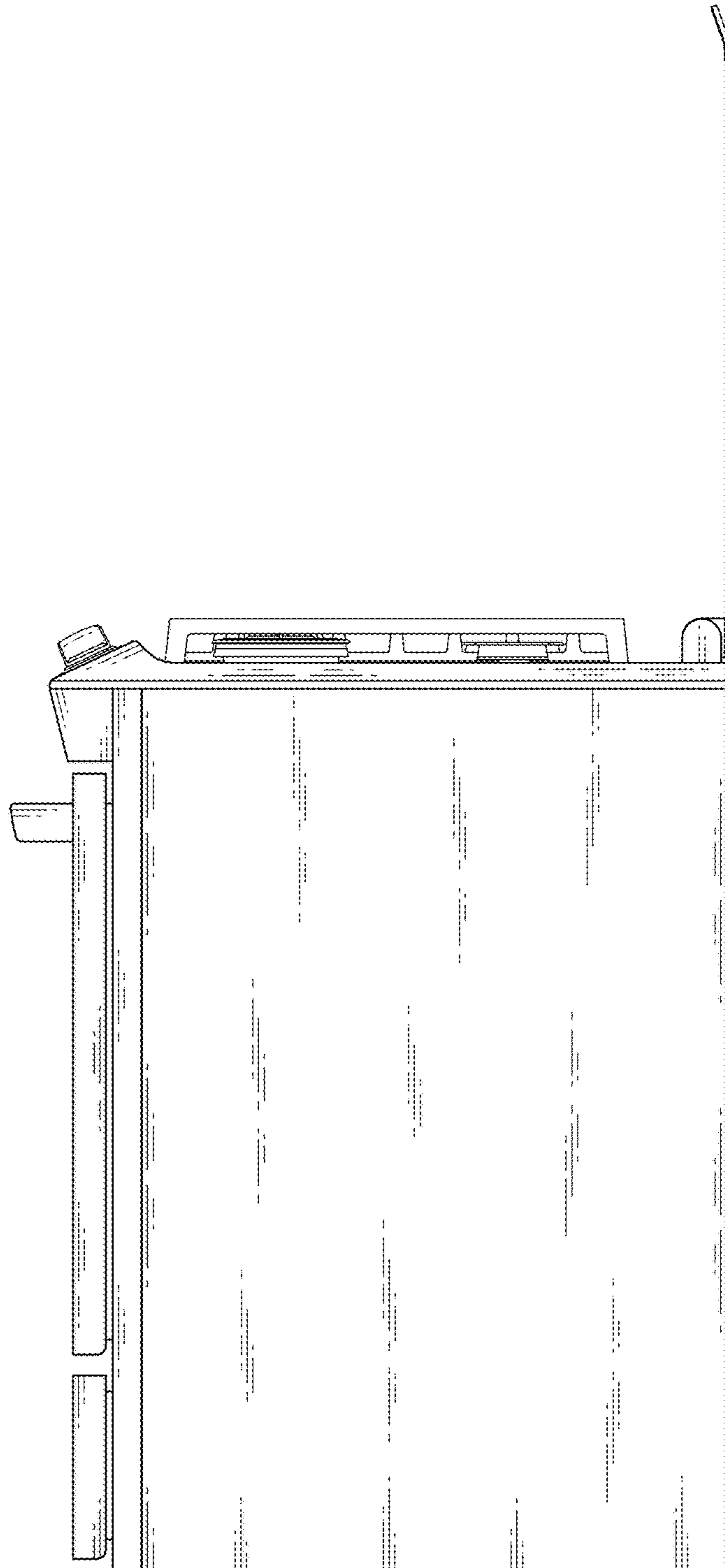


FIG. 6

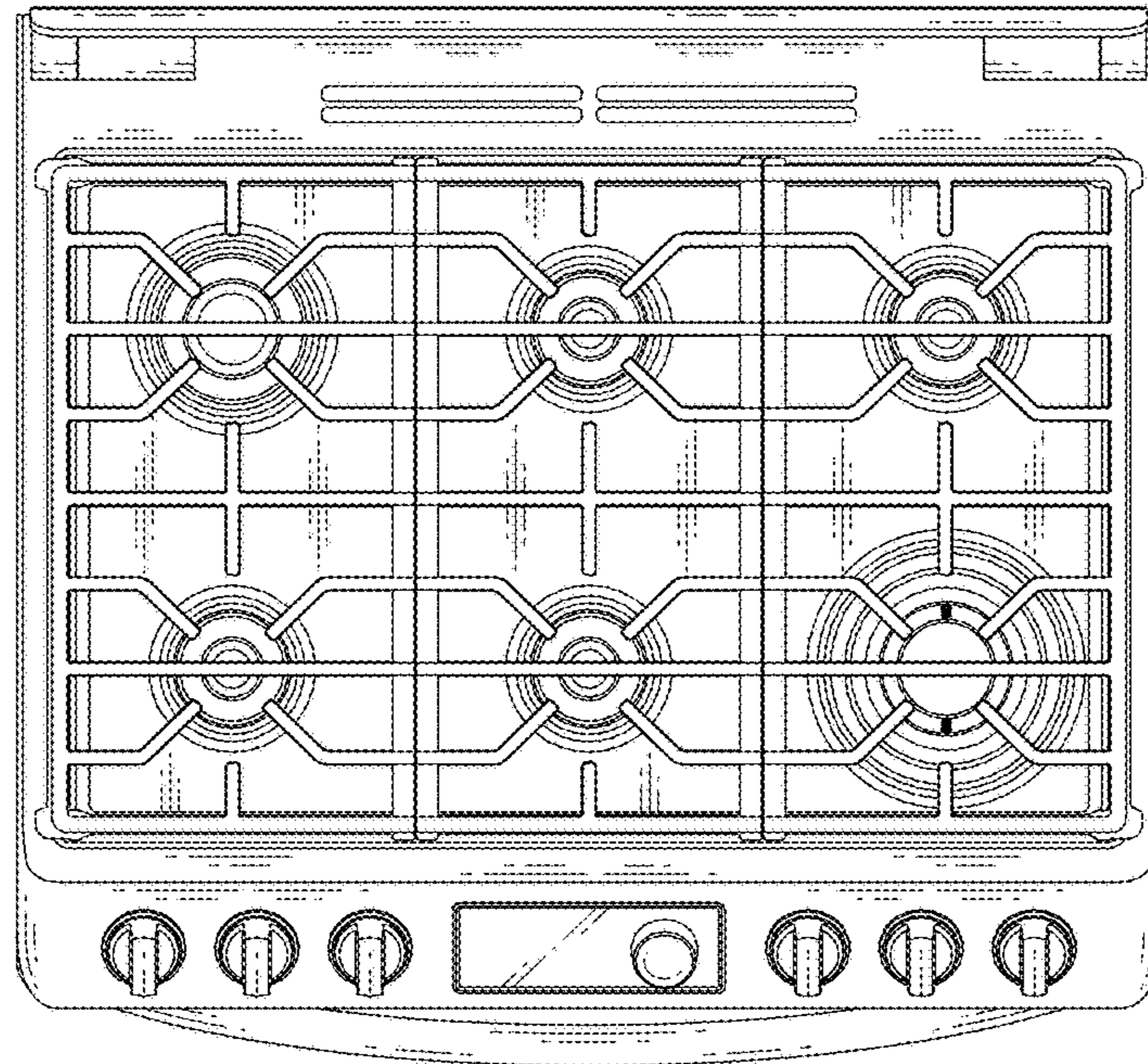


FIG. 7

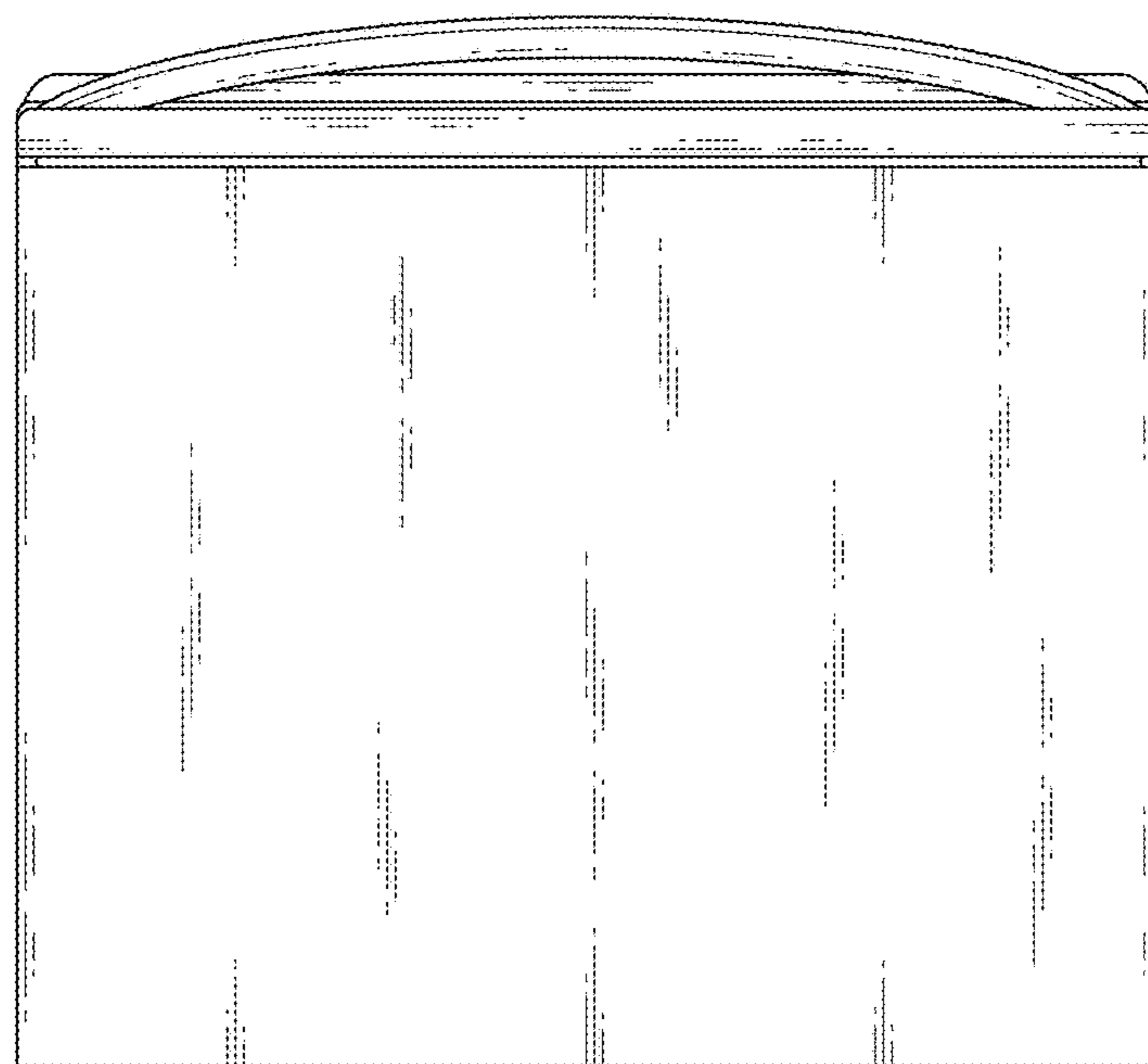


FIG. 8

