



US00D787253S

(12) **United States Design Patent**  
**Bodum**

(10) **Patent No.:** **US D787,253 S**

(45) **Date of Patent:** **\*\* May 23, 2017**

- (54) **COFFEE MAKER**
- (71) Applicant: **PI-Design AG**, Triengen (CH)
- (72) Inventor: **Jorgen Bodum**, Meggen (CH)
- (73) Assignee: **PI-Design AG**, Triengen (CH)

(\*\*) Term: **15 Years**

(21) Appl. No.: **29/561,537**

(22) Filed: **Apr. 18, 2016**

(30) **Foreign Application Priority Data**

Oct. 19, 2015 (WO) ..... DM/087902

(51) **LOC (10) Cl.** ..... **07-01**

(52) **U.S. Cl.**  
USPC ..... **D7/318; D7/310**

(58) **Field of Classification Search**  
USPC ..... D7/316-322, 598, 600, 310, 536, 507;  
222/188, 465.1, 713; D23/209; 99/285,  
99/304, 292  
CPC .... A47J 41/0027; A47J 31/50; A47J 45/0077;  
A47J 31/053; A47J 31/20; A47J 31/02;  
A47J 45/10; A47J 31/14; A47J 411/02;  
A47J 31/38; A47J 31/306; A47G 19/22;  
A47G 19/12

See application file for complete search history.

(56) **References Cited**

**U.S. PATENT DOCUMENTS**

- D137,943 S \* 5/1944 Schlumbohm ..... 16/DIG. 24
- D138,561 S \* 8/1944 Schlumbohm ..... D7/312
- 2,411,340 A \* 11/1946 Schlumbohm ..... A47G 19/12  
222/465.1
- 2,414,901 A \* 1/1947 Schlumbohm ..... A47J 45/08  
215/396
- 2,705,086 A \* 3/1955 Schlumbohm ..... A47J 45/10  
215/396

- 3,145,708 A \* 8/1964 Fischer ..... A47G 19/12  
126/390.1
- D205,236 S \* 7/1966 Ilg ..... 141/331
- 3,334,574 A \* 8/1967 Douglas ..... A47J 31/02  
210/455
- D224,034 S \* 6/1972 Douglas ..... D7/318
- 3,739,932 A \* 6/1973 Westover ..... A47J 45/10  
16/435
- 3,985,069 A \* 10/1976 Cavalluzzi ..... B65D 85/8043  
426/77
- D250,804 S \* 1/1979 Nilsson ..... D7/400
- 4,629,866 A \* 12/1986 Proctor ..... A47J 27/002  
126/378.1
- D302,093 S \* 7/1989 Palsby ..... D7/317
- D452,408 S \* 12/2001 Liu ..... D7/316
- D453,657 S \* 2/2002 Eklin ..... D7/315
- D515,349 S \* 2/2006 Gillisie ..... D7/317

(Continued)

**OTHER PUBLICATIONS**

PI-Design AG, U.S. Appl. No. 29/579,442, filed Sep. 30, 2016.

(Continued)

*Primary Examiner* — Marianne Pandozzi  
(74) *Attorney, Agent, or Firm* — McDonnell Boehnen  
Hulbert & Berghoff LLP

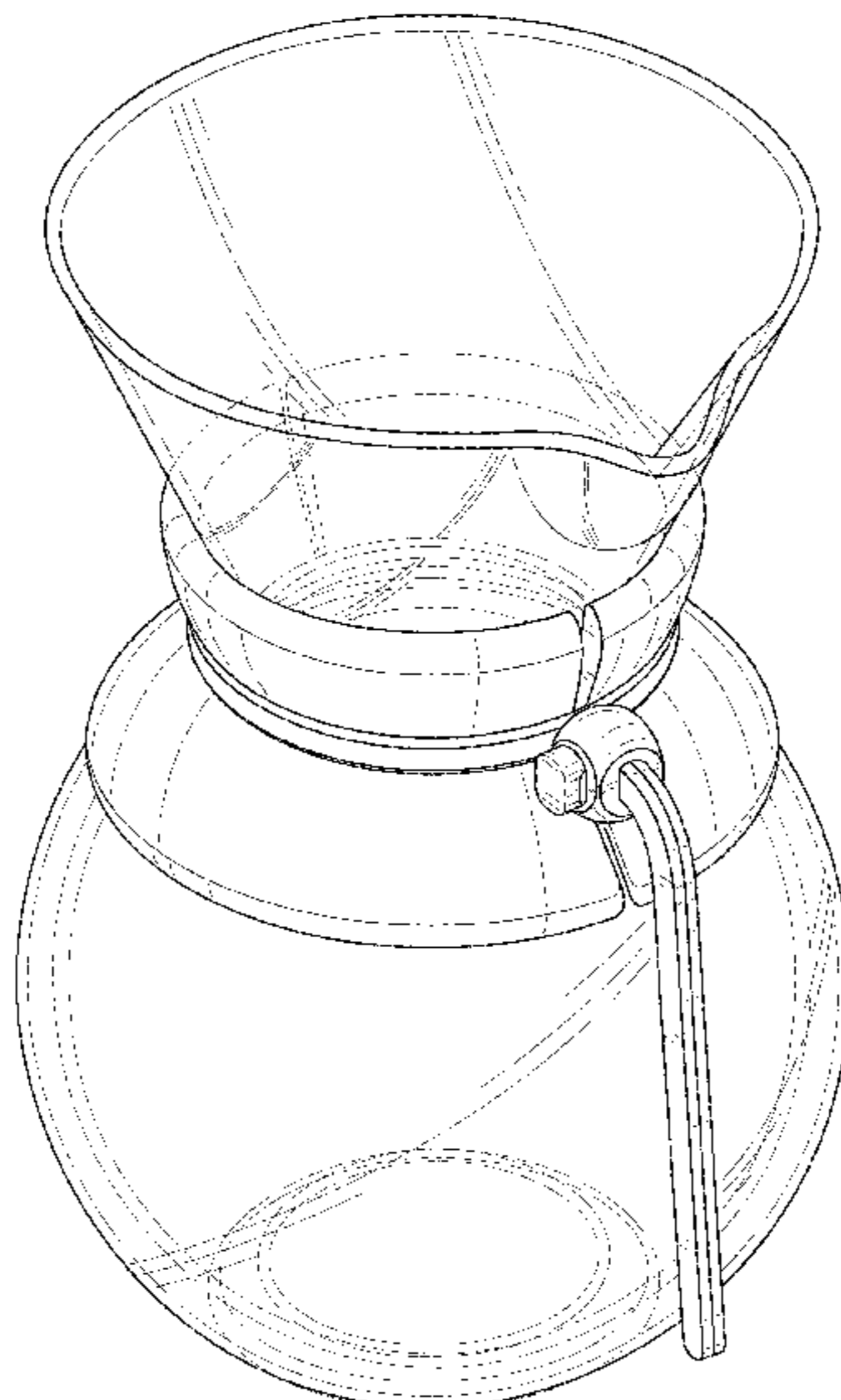
(57) **CLAIM**

The ornamental design for a coffee maker, as shown and described.

**DESCRIPTION**

FIG. 1 is a perspective view of a coffee maker showing my new design;  
FIG. 2 is a front view thereof;  
FIG. 3 is a rear view thereof;  
FIG. 4 is a left side view thereof;  
FIG. 5 is a right side view thereof;  
FIG. 6 is a top view thereof; and,  
FIG. 7 is a bottom view thereof.

**1 Claim, 7 Drawing Sheets**



(56)

**References Cited**

U.S. PATENT DOCUMENTS

D536,205	S	*	2/2007	Jensen	.....	D7/300
D560,091	S	*	1/2008	Bodum	.....	D7/312
D567,005	S	*	4/2008	Bodum	.....	D7/312
D567,008	S	*	4/2008	Bodum	.....	D7/312
D567,009	S	*	4/2008	Bodum	.....	D7/312
D568,086	S	*	5/2008	Brown	.....	D7/317
D580,696	S	*	11/2008	Bodum	.....	D7/316
D591,549	S	*	5/2009	Ranzoni	.....	D7/317
D598,234	S	*	8/2009	Bodum	.....	D7/317
D611,754	S	*	3/2010	Bodum	.....	D7/310
D655,563	S	*	3/2012	Kern	.....	D7/317
D661,939	S	*	6/2012	Kern	.....	D7/316
D742,160	S	*	11/2015	Bodum	.....	D7/316
D745,739	S	*	12/2015	Abadi	.....	D27/162
D746,092	S	*	12/2015	Melzer	.....	D7/325
D752,376	S	*	3/2016	Melzer	.....	D7/317

OTHER PUBLICATIONS

PI-Design AG, U.S. Appl. No. 29/554,812, filed Feb. 16, 2016.  
Select portions of Bodum Collection Catalogue, Jan. 2015, 7 pages.

\* cited by examiner

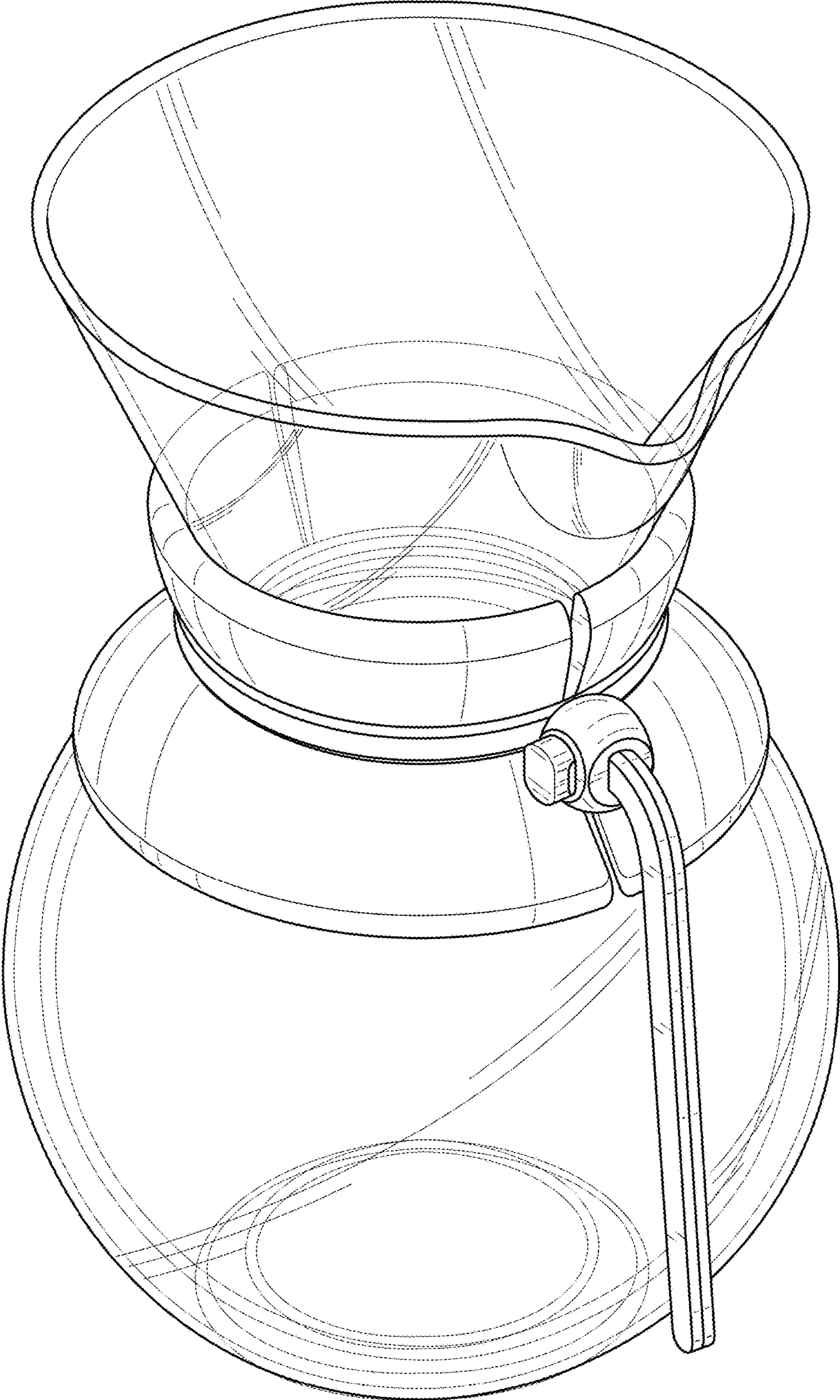


FIG. 1

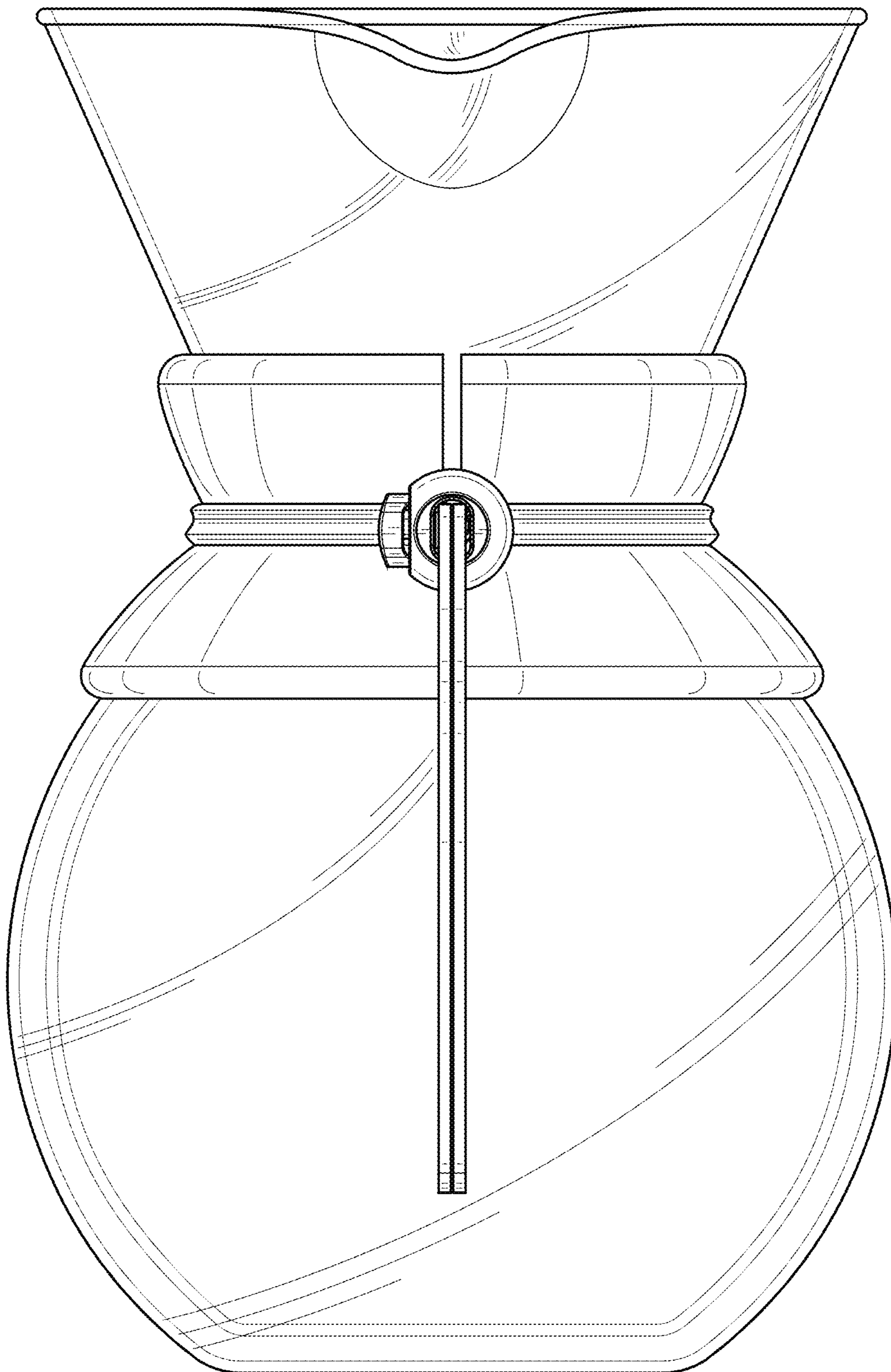


FIG. 2

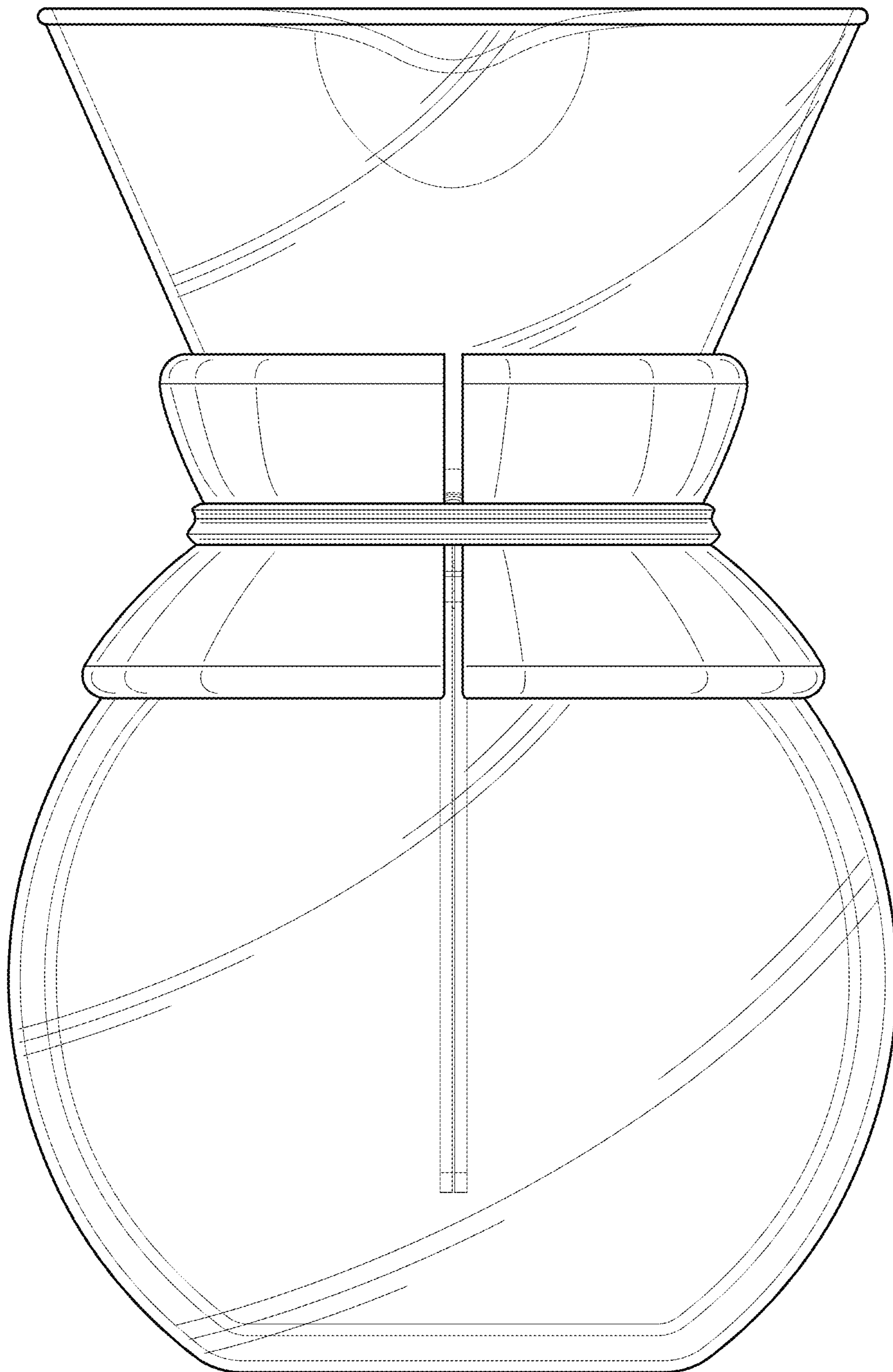


FIG. 3

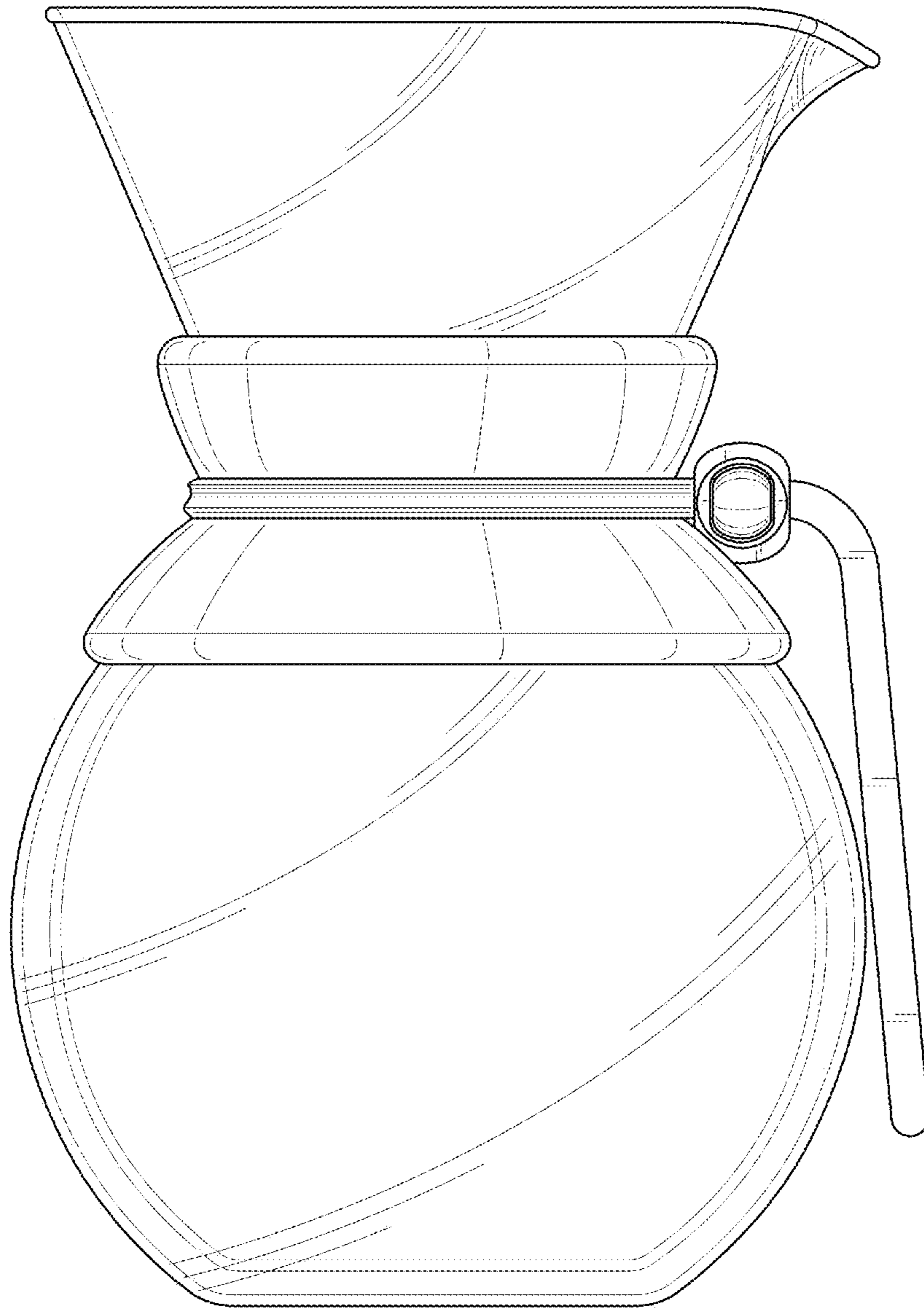


FIG. 4

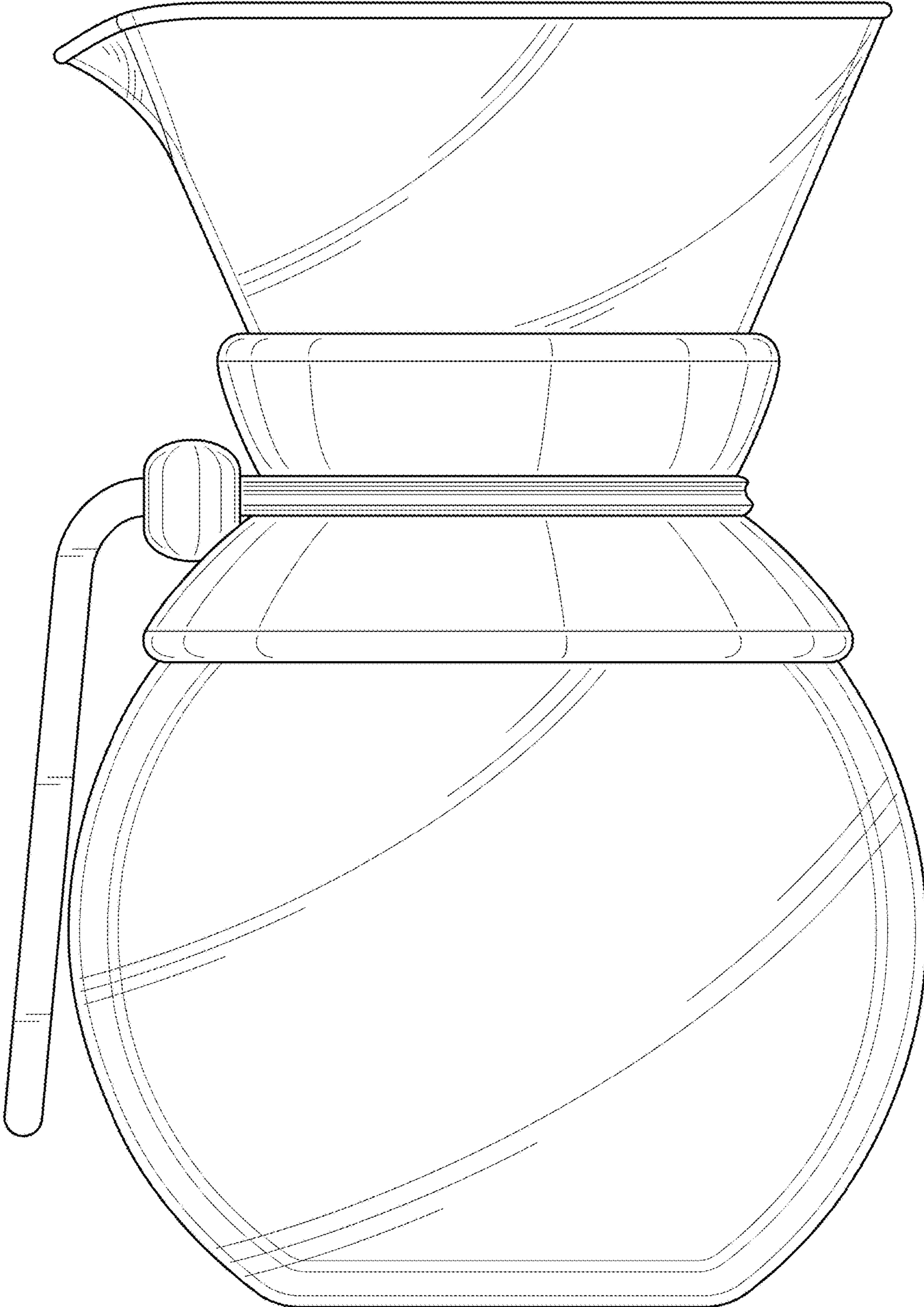


FIG. 5

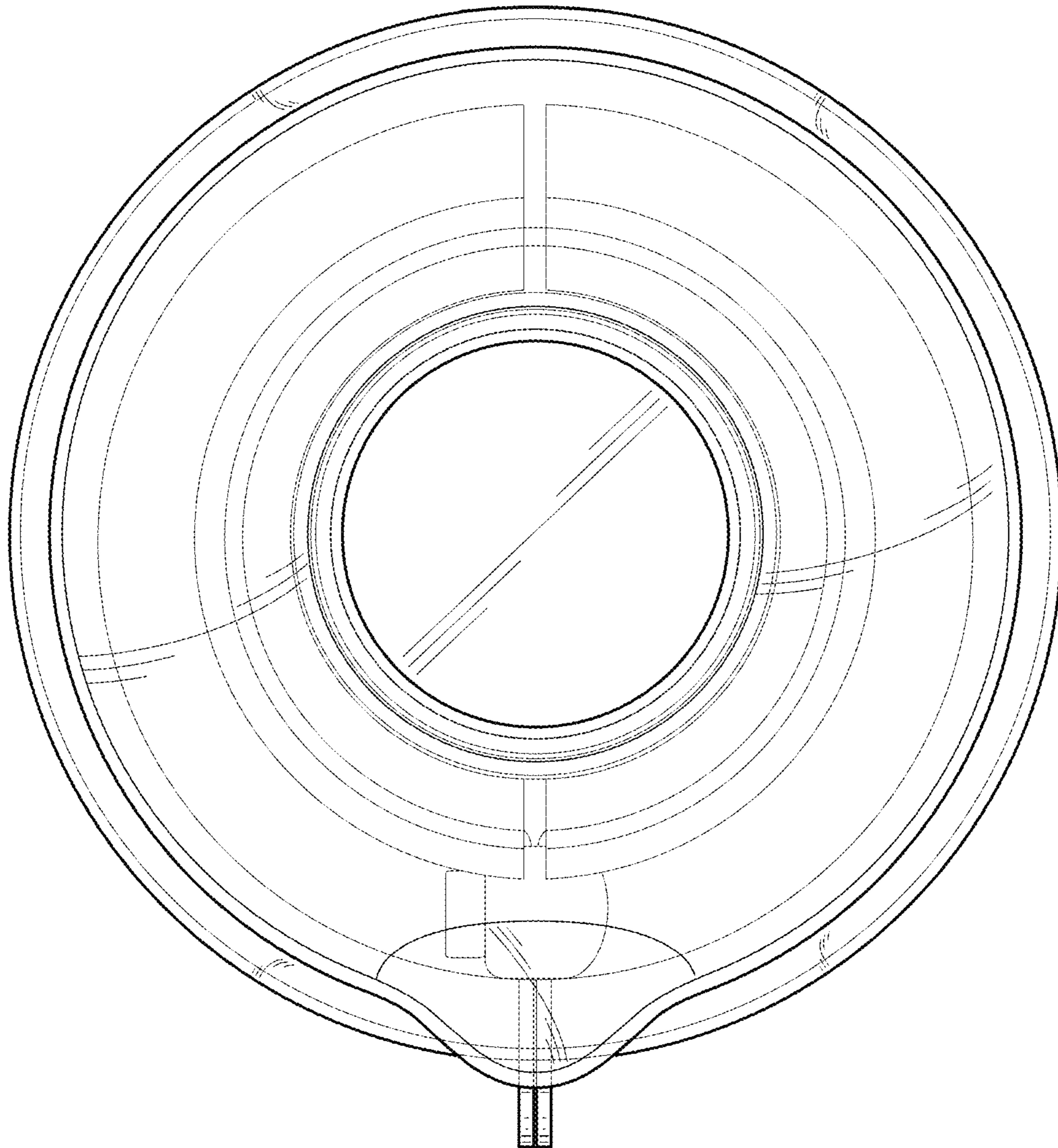


FIG. 6



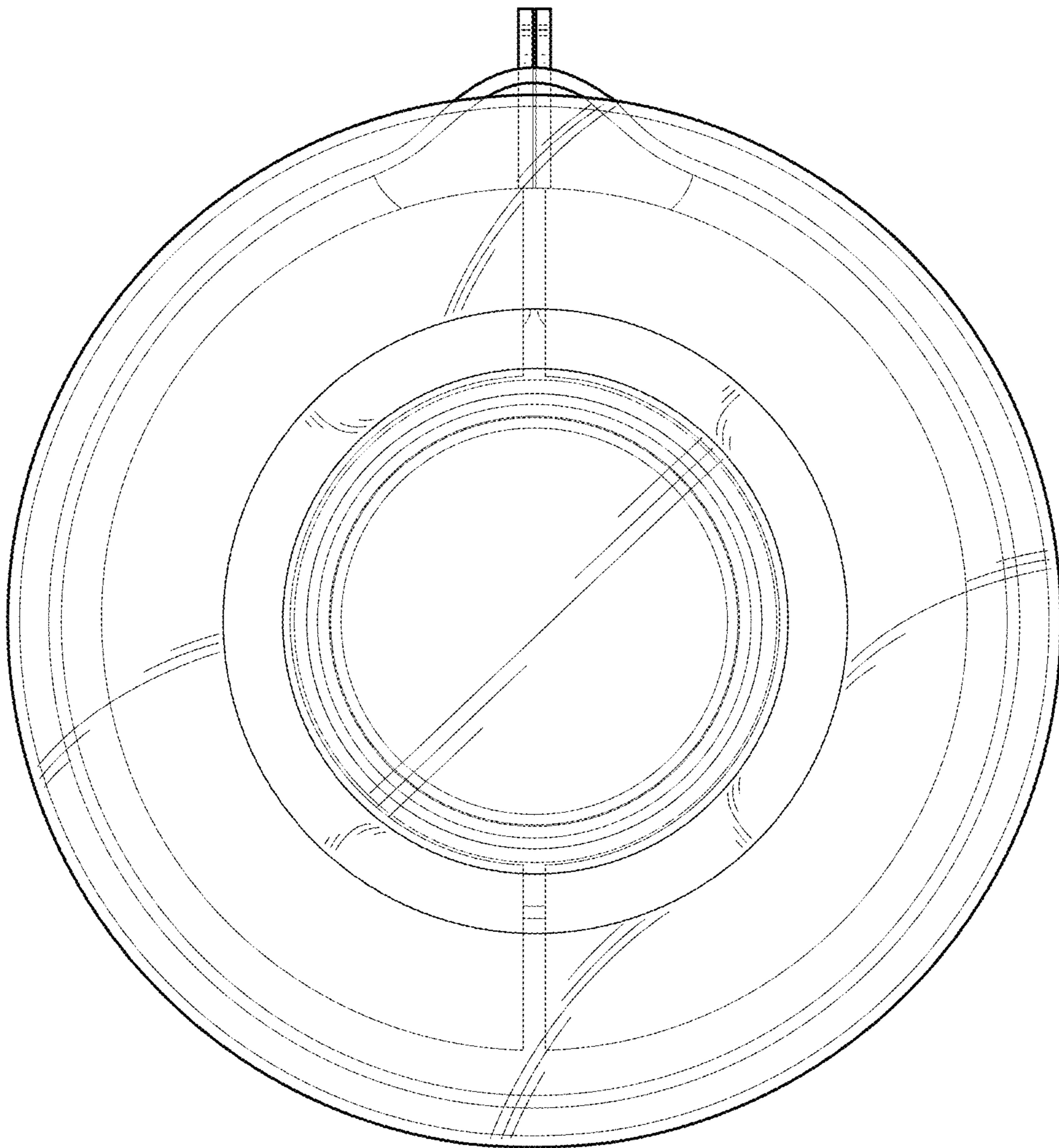


FIG. 7