



US00D787251S

(12) **United States Design Patent** (10) **Patent No.:** **US D787,251 S**
Kestenbaum (45) **Date of Patent:** **** May 23, 2017**

(54) **COFFEE CARAFE** 4,858,787 A * 8/1989 Stone A47J 41/0027
220/374
(71) Applicant: **SharkNinja Operating LLC**, Newton, MA (US) D405,640 S * 2/1999 Saltet D7/317
D655,563 S 3/2012 Kern et al.
D712,188 S * 9/2014 Averty D7/309
D753,948 S * 4/2016 Kestenbaum D7/317
(72) Inventor: **Daniel Kestenbaum**, Brookline, MA (US) 2011/0048241 A1* 3/2011 Smit A47J 31/50
99/288

(73) Assignee: **SHARKNINJA OPERATING LLC**, Newton, MA (US)

(**) Term: **15 Years**

(21) Appl. No.: **29/530,401**

(22) Filed: **Jun. 16, 2015**

(51) **LOC (10) Cl.** **07-01**

(52) **U.S. Cl.**
USPC **D7/317; D7/318**

(58) **Field of Classification Search**
USPC D7/316-319.312, 312, 598, 600, 322,
D7/321; 222/188, 465.1, 713; D23/209
CPC A47J 41/0027; A47J 31/50; A47J 45/0077;
A47J 31/053; A47G 19/22
See application file for complete search history.

(56) **References Cited**

U.S. PATENT DOCUMENTS

D194,697 S * 2/1963 Douglas D7/317
D198,702 S * 7/1964 Douglas D7/318
3,174,424 A * 3/1965 Serio A47J 31/053
210/474
3,306,505 A * 2/1967 Serio A47J 36/14
222/475.1
3,311,399 A * 3/1967 Holton A47J 45/077
24/274 R
D239,074 S * 3/1976 Rakocy D7/309
D245,058 S * 7/1977 Hauenstein D7/318
4,058,338 A * 11/1977 Brown A47J 45/077
294/31.2

OTHER PUBLICATIONS

Advanced Heat Resistant Glass Ware; Design of Coffee Server—
JPO Publicly Known Design No. HC18006959; Collection Date:
Mar. 10, 2006; Printed at p. 39; 4 Pages.
Examiner's Report; Canadian Application No. 165399; Date of
Mailing: Feb. 9, 2016; 2 Pages.
Notice of Allowance; Japanese Application No. 2015-027996; Date
of Mailing: Oct. 28, 2016; 2 Pages.

(Continued)

Primary Examiner — Marianne Pandozzi

(74) *Attorney, Agent, or Firm* — Cantor Colburn LLP

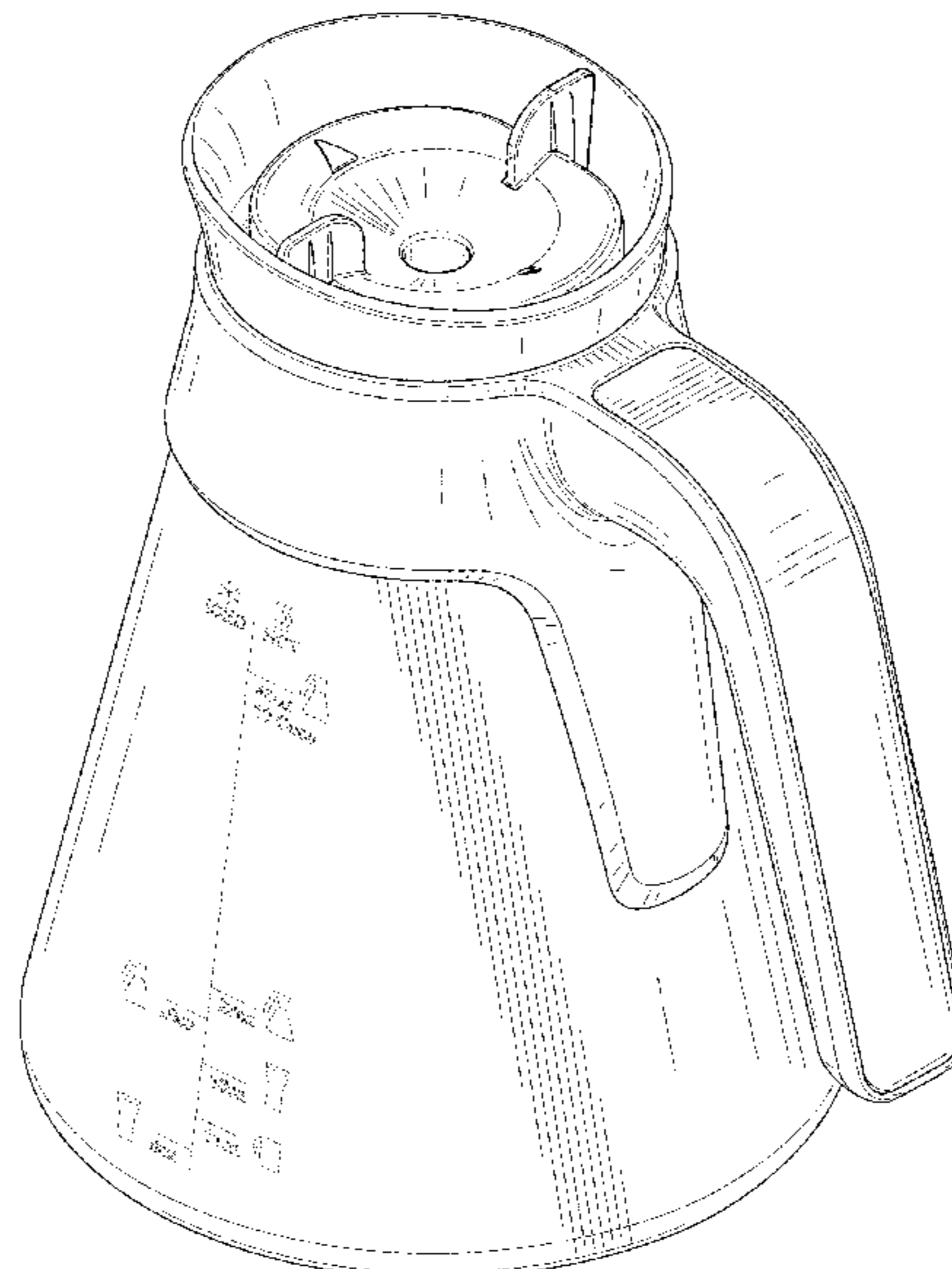
(57) **CLAIM**

We claim, the ornamental design for a coffee carafe, as
shown and described.

DESCRIPTION

FIG. 1 is a perspective view of a coffee carafe showing our
new design;
FIG. 2 is a front view thereof;
FIG. 3 is a rear view thereof;
FIG. 4 is a right side view thereof;
FIG. 5 is a left side view thereof;
FIG. 6 is a top plan view thereof;
FIG. 7 is a bottom plan view thereof; and,
FIG. 8 is an exploded perspective view thereof.
The broken lines are for environmental purpose only and
form no part of the claimed design.

1 Claim, 8 Drawing Sheets



(56)

References Cited

OTHER PUBLICATIONS

Notice of Allowance; Japanese Application No. 2015-027998; Date of Mailing: Oct. 28, 2016; 2 Pages.

Notice of Completion of Formalities for Patent Register and Notice of Grant of Design Patent Right; Chinese Application No. 2015305332598; Date of Mailing: Apr. 6, 2016; 4 Pages.

Notice of References; Japanese Application No. 2015-027996; Date of Mailing: Oct. 28, 2016; 4 Pages.

Notification of Reasons for Rejection; Japanese Application No. 2015-027997; Date of Mailing: Oct. 28, 2016; 4 Pages.

Notification of Reasons for Rejection; Japanese Application No. 2015-027999; Date of Mailing: Oct. 28, 2016; 4 Pages.

Office Action; EM Application Nos. 002849372-0001 through 002849372-0004; Date of Mailing: Nov. 13, 2015; 2 Pages.

Office Action; Korean Application No. 30-2015-0062913_M001; Date of Mailing: Apr. 7, 2016; 6 Pages.

Office Action; Korean Application No. 30-2015-0062913_M002; Date of Mailing: May 18, 2016; 8 Pages.

Office Action; Korean Application No. 30-2015-0062913_M003; Date of Mailing: Apr. 7, 2016; 6 Pages.

Office Action; Korean Application No. 30-2015-0062913_M004; Date of Mailing: Apr. 7, 2016; 6 Pages.

* cited by examiner

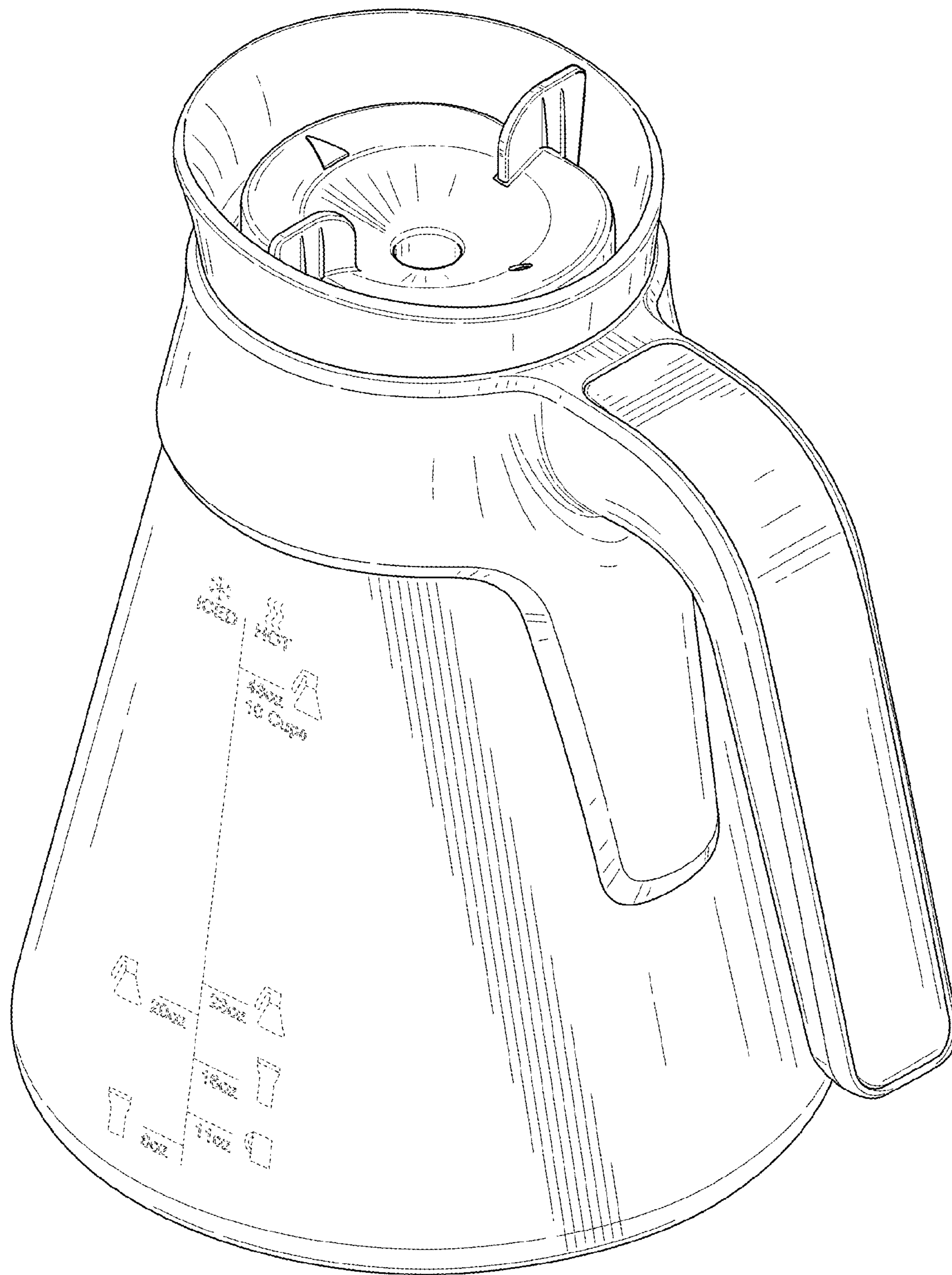


FIG. 1

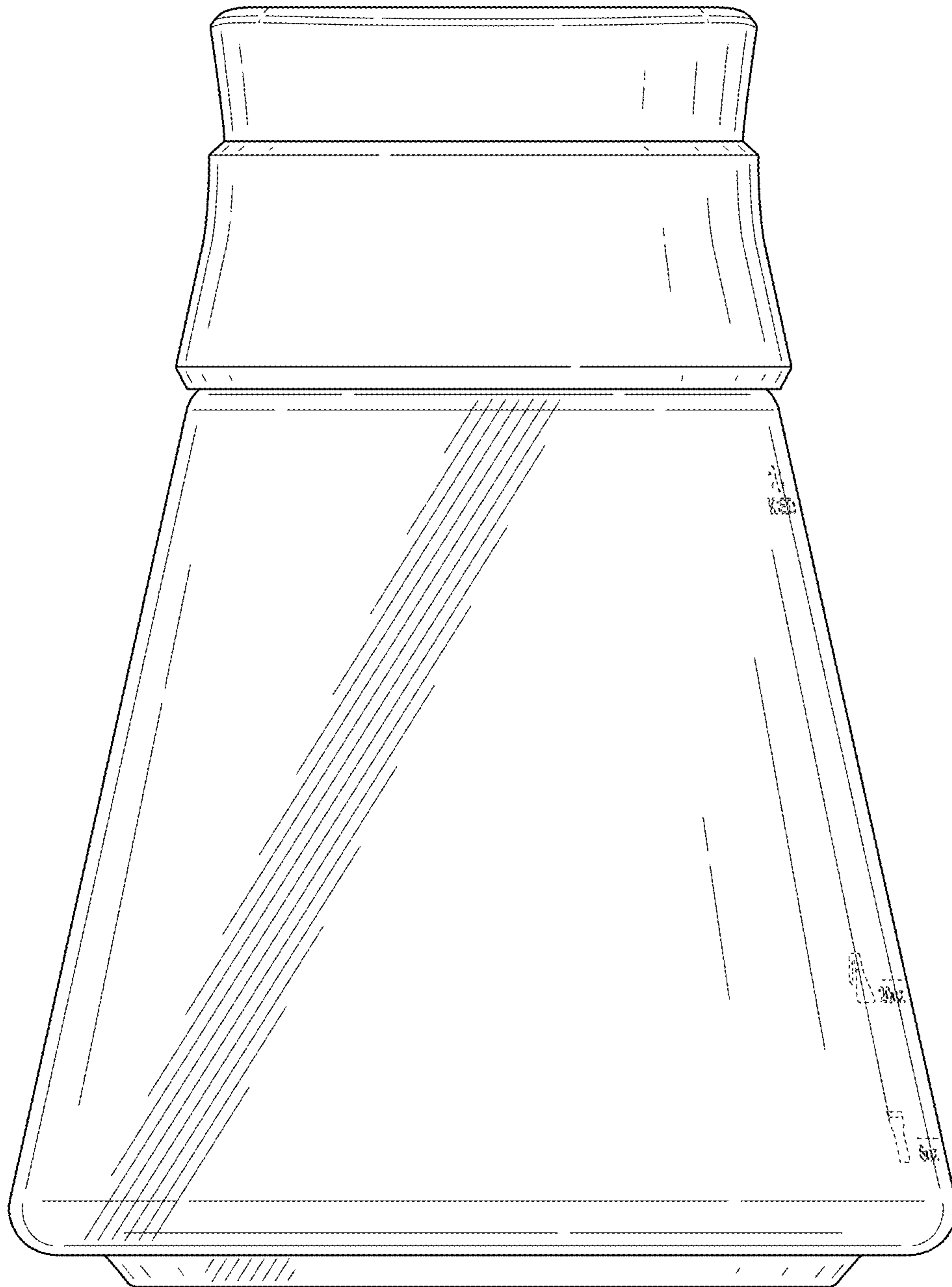


FIG. 2

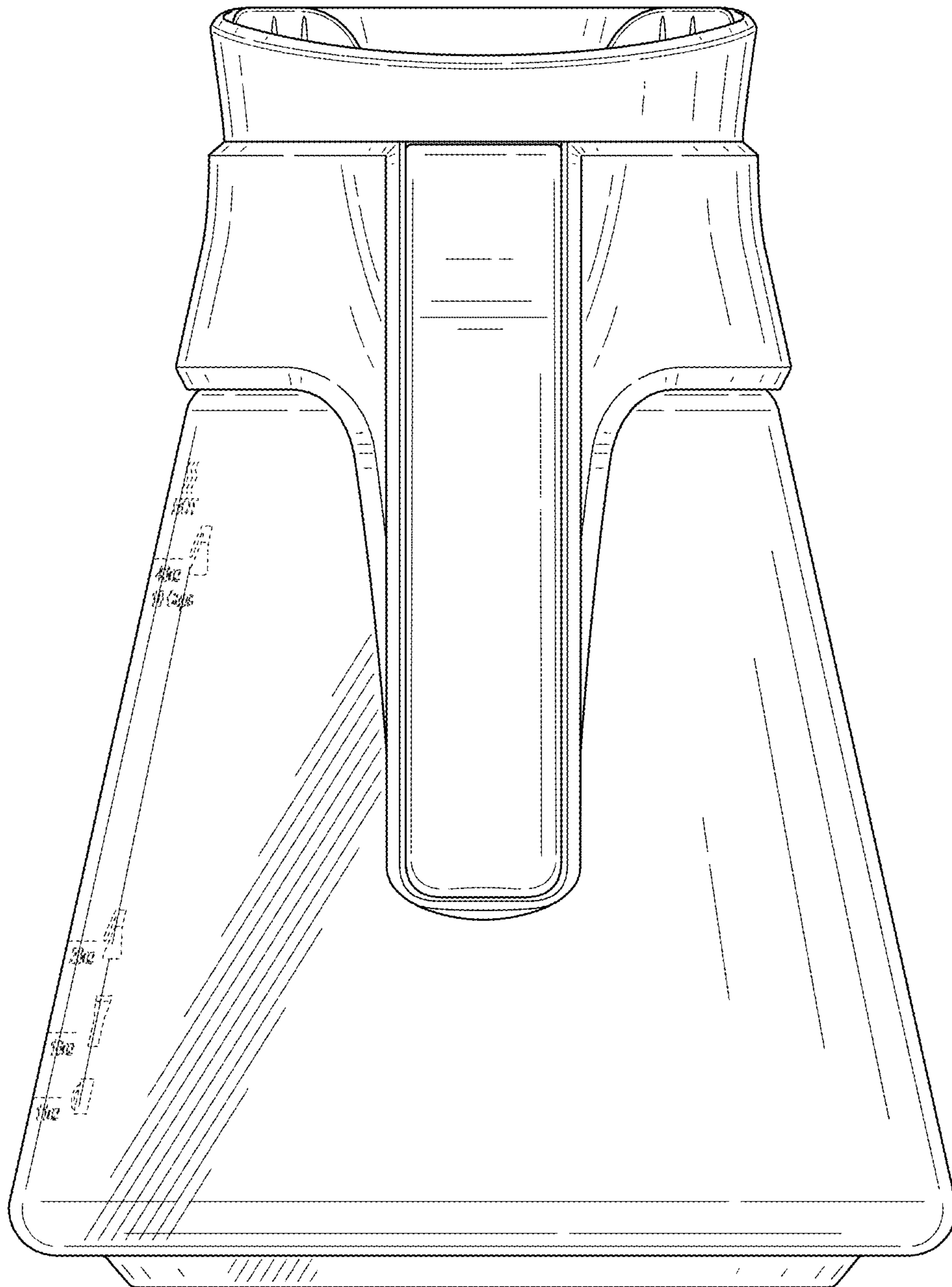


FIG. 3



FIG. 4

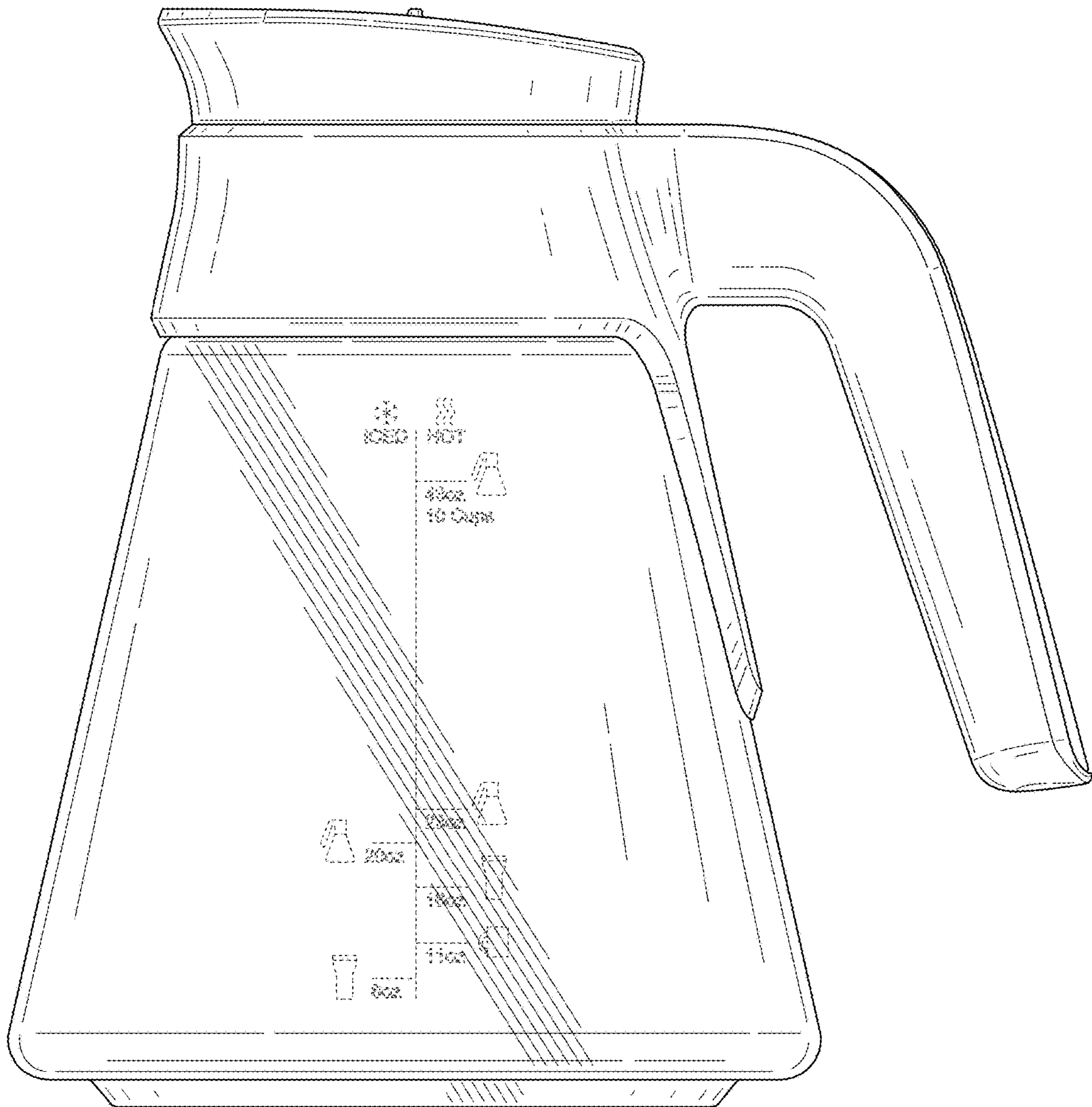


FIG. 5

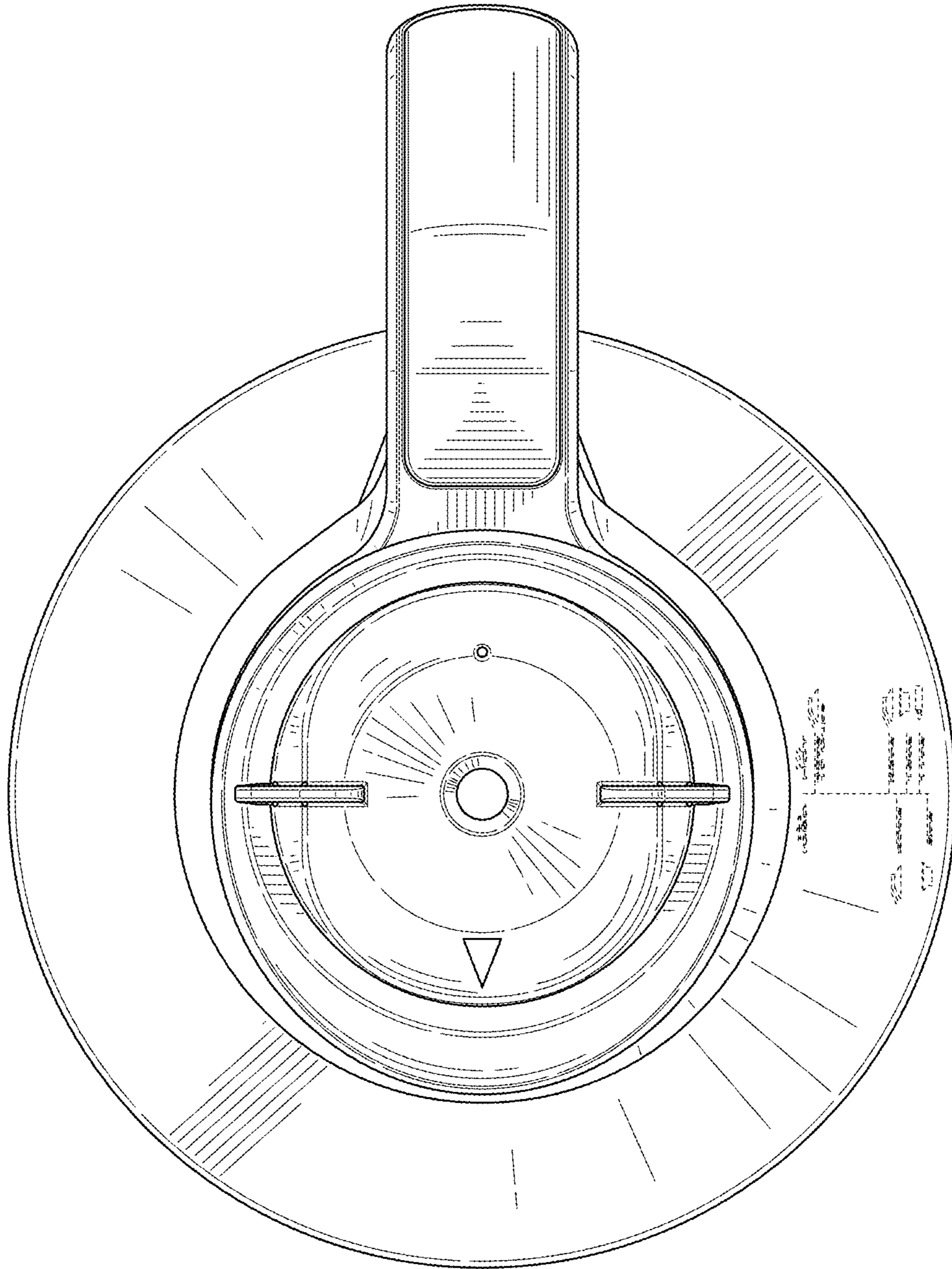


FIG. 6

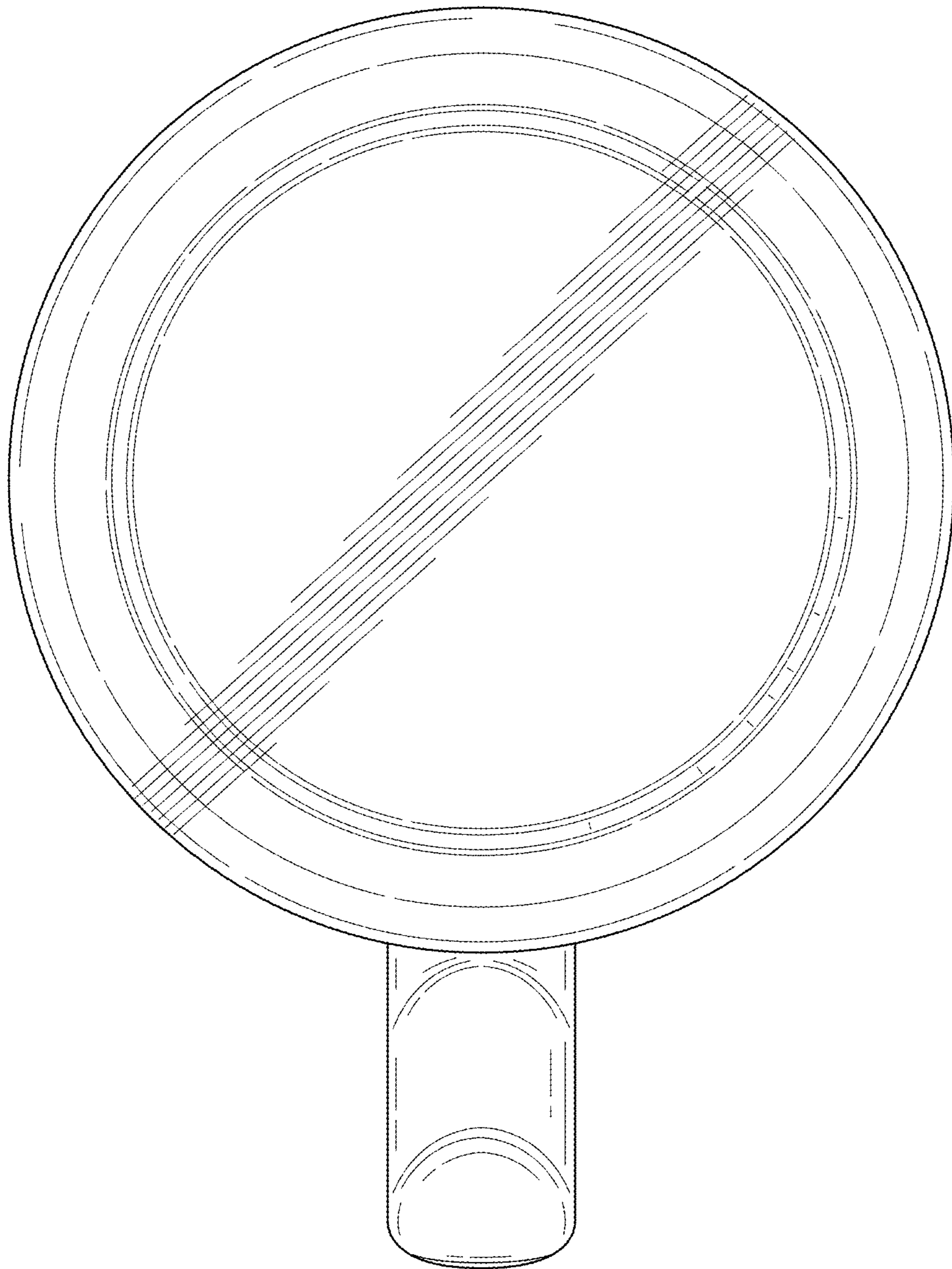


FIG. 7

FIG. 8

