



US00D787249S

(12) **United States Design Patent** (10) **Patent No.:** **US D787,249 S**
Walton et al. (45) **Date of Patent:** **** May 23, 2017**

(54) **WATER COOLER**

(71) Applicant: **Cardomon International Limited**,
Tsimshatsui, Kowlon (HK)

(72) Inventors: **Philip A. Walton**, Bishop Auckland
(GB); **Andrew Smith**, Hamsterley (GB)

(73) Assignee: **Cardomon International Limited**,
Hong Kong (HK)

(**) Term: **14 Years**

(21) Appl. No.: **29/526,057**

(22) Filed: **May 6, 2015**

(51) **LOC (10) Cl.** **07-01**

(52) **U.S. Cl.**
USPC **D7/306**; D7/313

(58) **Field of Classification Search**
USPC D7/301, 306-308, 313, 300; D23/207;
99/275; 222/146.1-146.6, 185.1
CPC B67D 1/06; B67D 3/0009; B67D 1/0835
See application file for complete search history.

(56) **References Cited**

U.S. PATENT DOCUMENTS

- D366,803 S * 2/1996 Hauser, II D7/307
- D394,185 S * 5/1998 Eddy D7/307
- 5,848,735 A * 12/1998 Eddy B67D 3/0029
222/185.1
- 5,927,557 A * 7/1999 Busick B67D 1/0835
137/329.1
- 7,287,392 B2 * 10/2007 Brand B67D 3/0009
222/146.6
- D608,130 S * 1/2010 Moon D7/306
- D623,885 S * 9/2010 Wang D7/306
- D635,812 S * 4/2011 Wang D7/306
- D643,239 S * 8/2011 Wang D7/306

- D647,354 S * 10/2011 Wang D7/306
- D651,842 S * 1/2012 Spear D7/306
- D660,636 S * 5/2012 Wang D7/306
- 2003/0071068 A1 * 4/2003 Burrows B67D 1/0875
222/185.1
- 2008/0035241 A1 * 2/2008 Wittbold A01K 7/06
141/361

OTHER PUBLICATIONS

U.S. Appl. No. 29/526,061, filed May 6, 2015 and pending in GAU 2918.

* cited by examiner

Primary Examiner — Marianne Pandozzi

(74) *Attorney, Agent, or Firm* — Merek, Blackmon & Voorhees, LLC

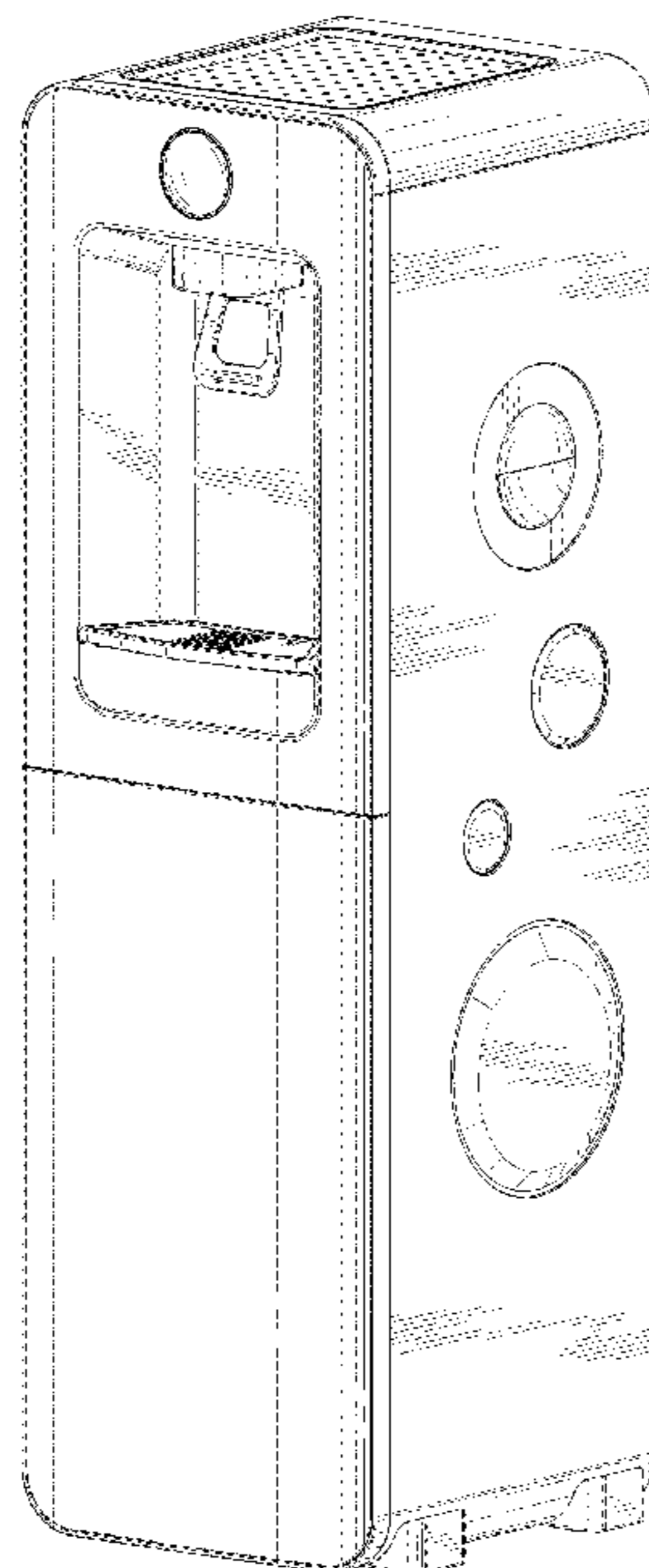
(57) **CLAIM**

The ornamental design for a water cooler, as shown and described.

DESCRIPTION

FIG. 1 is a front elevational view of the water cooler showing our new design;
 FIG. 2 is a left side elevational view of the water cooler shown in FIG. 1;
 FIG. 3 is a right side elevational view of the water cooler shown in FIG. 1;
 FIG. 4 is a rear elevational view of the water cooler shown in FIG. 1;
 FIG. 5 is a top plan view of the water cooler shown in FIG. 1;
 FIG. 6 is a bottom plan view of the water cooler shown in FIG. 1; and,
 FIG. 7 is a front, right side perspective view of the water cooler shown in FIG. 1.

1 Claim, 6 Drawing Sheets



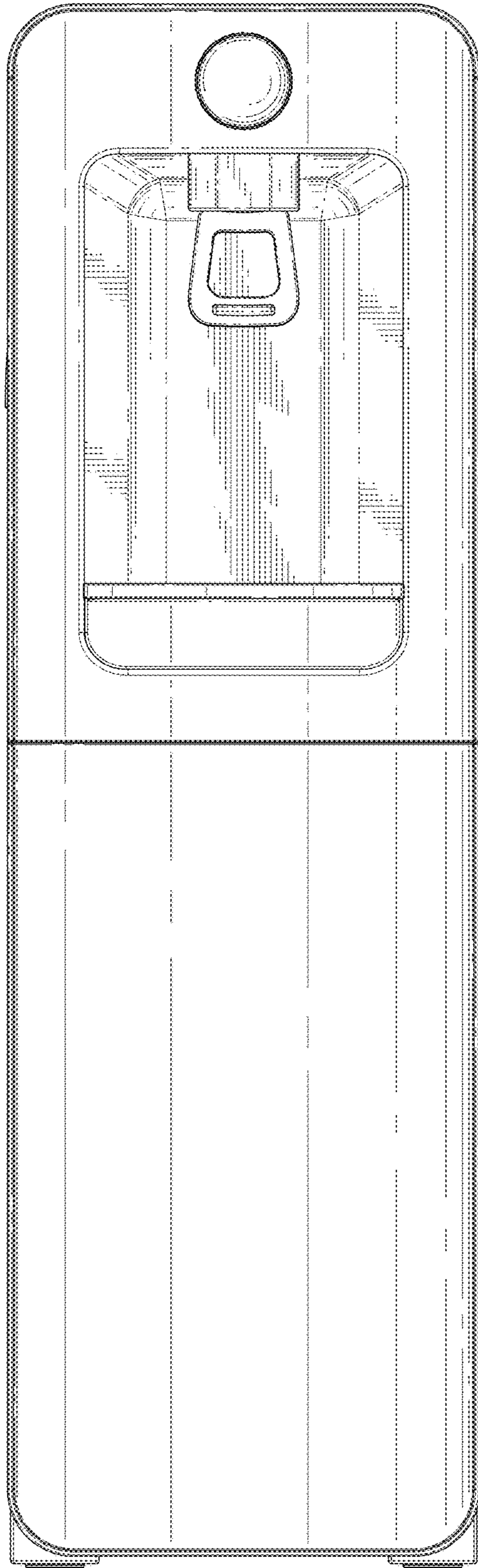


FIG. 1

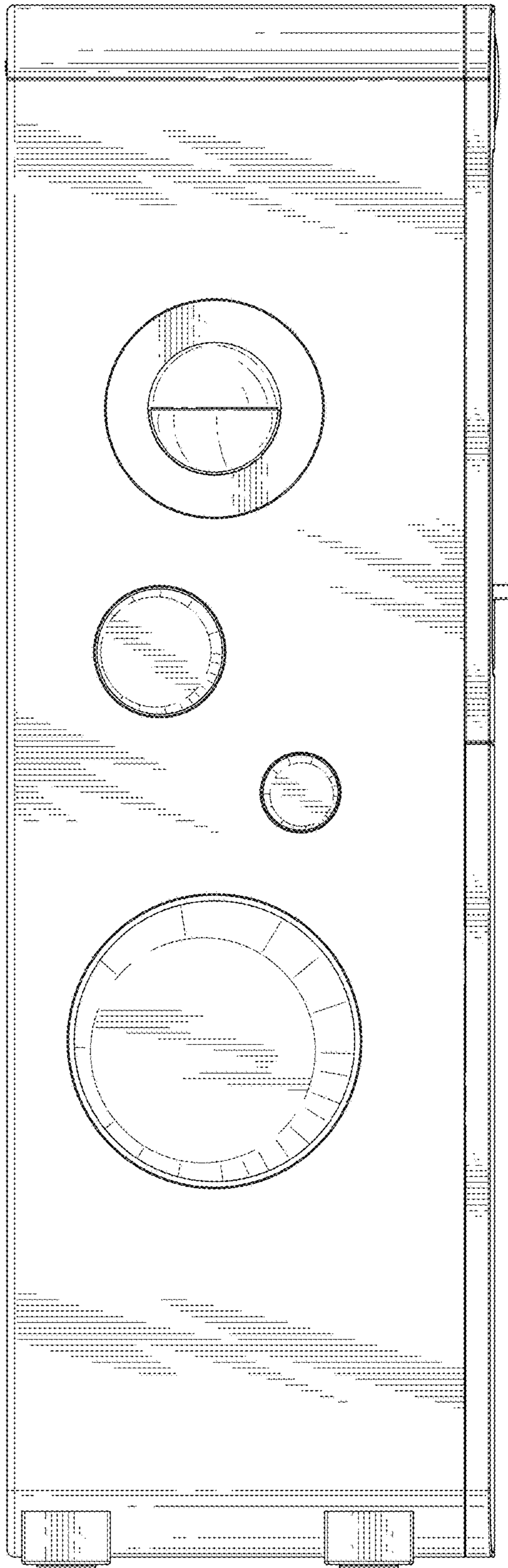


FIG. 2

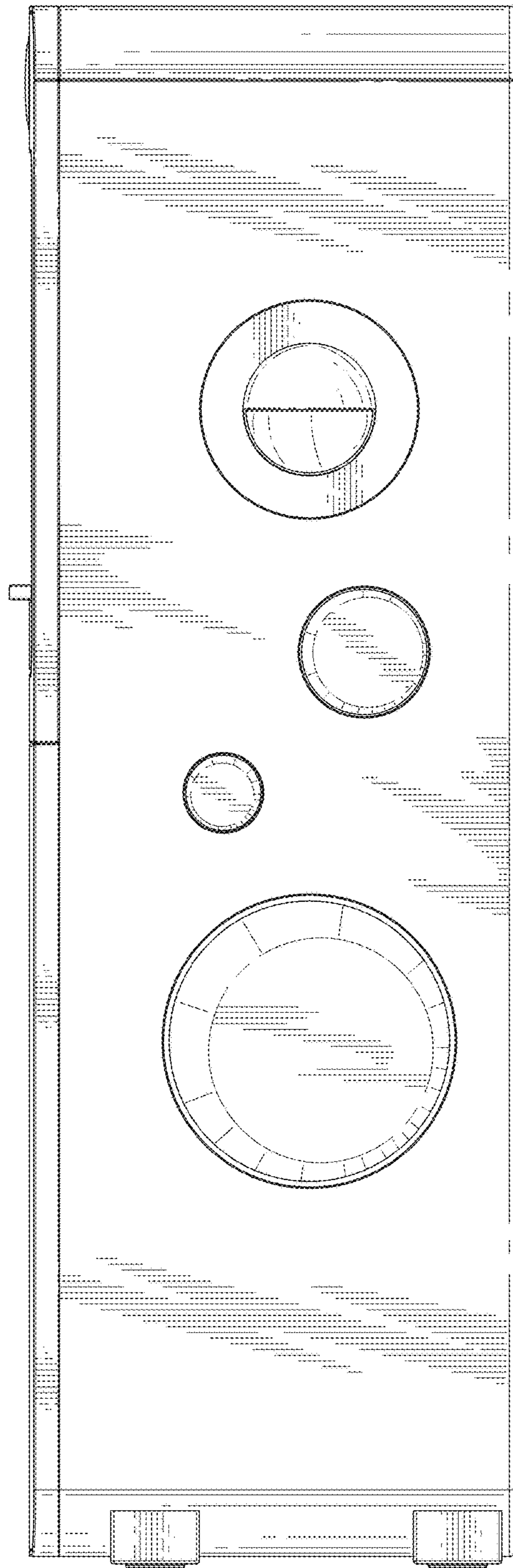


FIG. 3

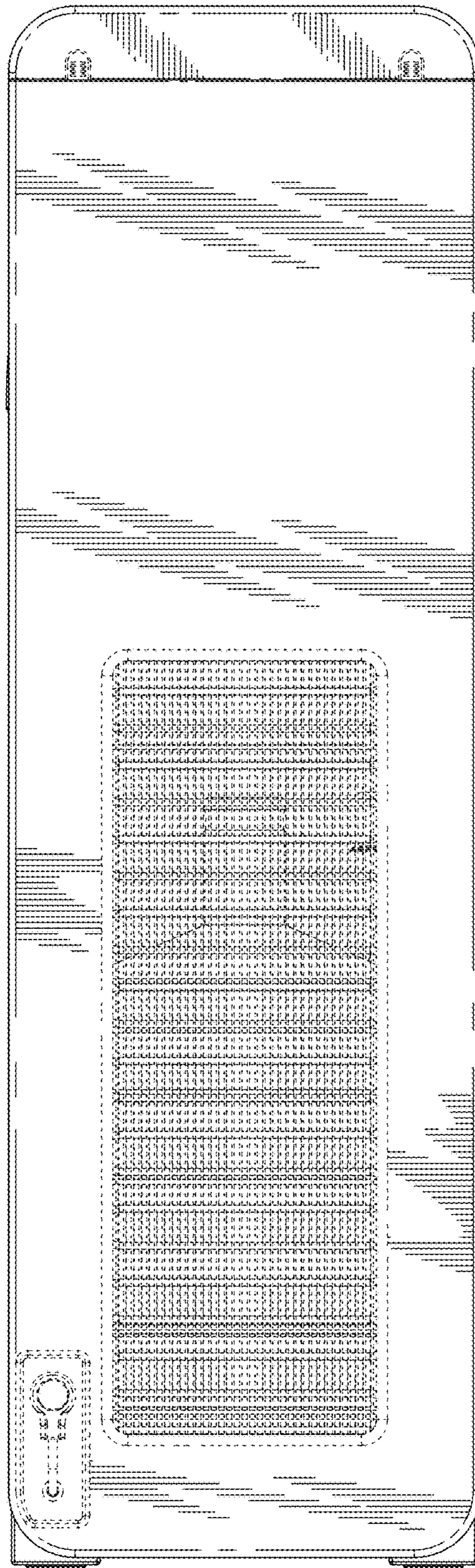


FIG. 4

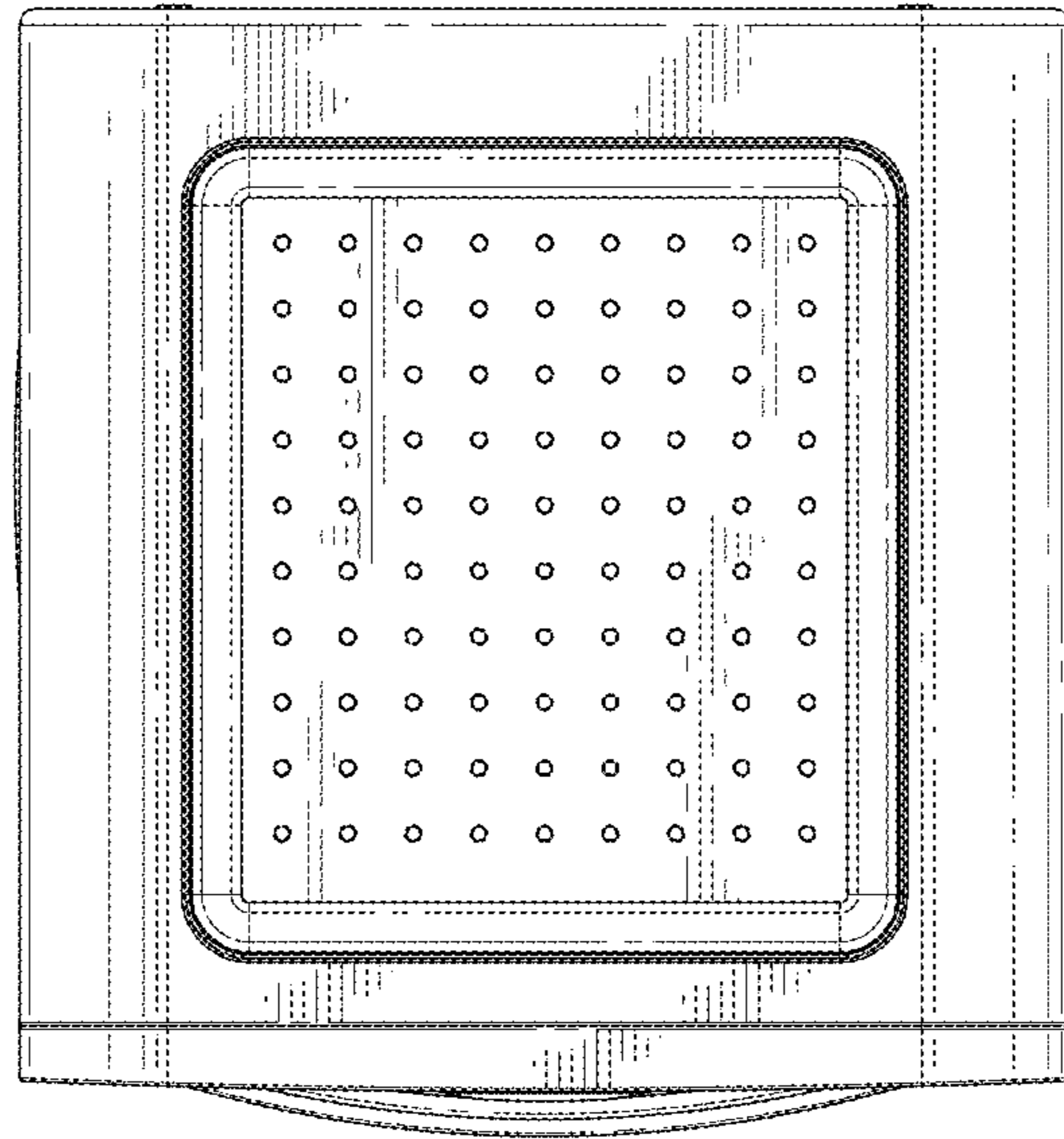


FIG. 5

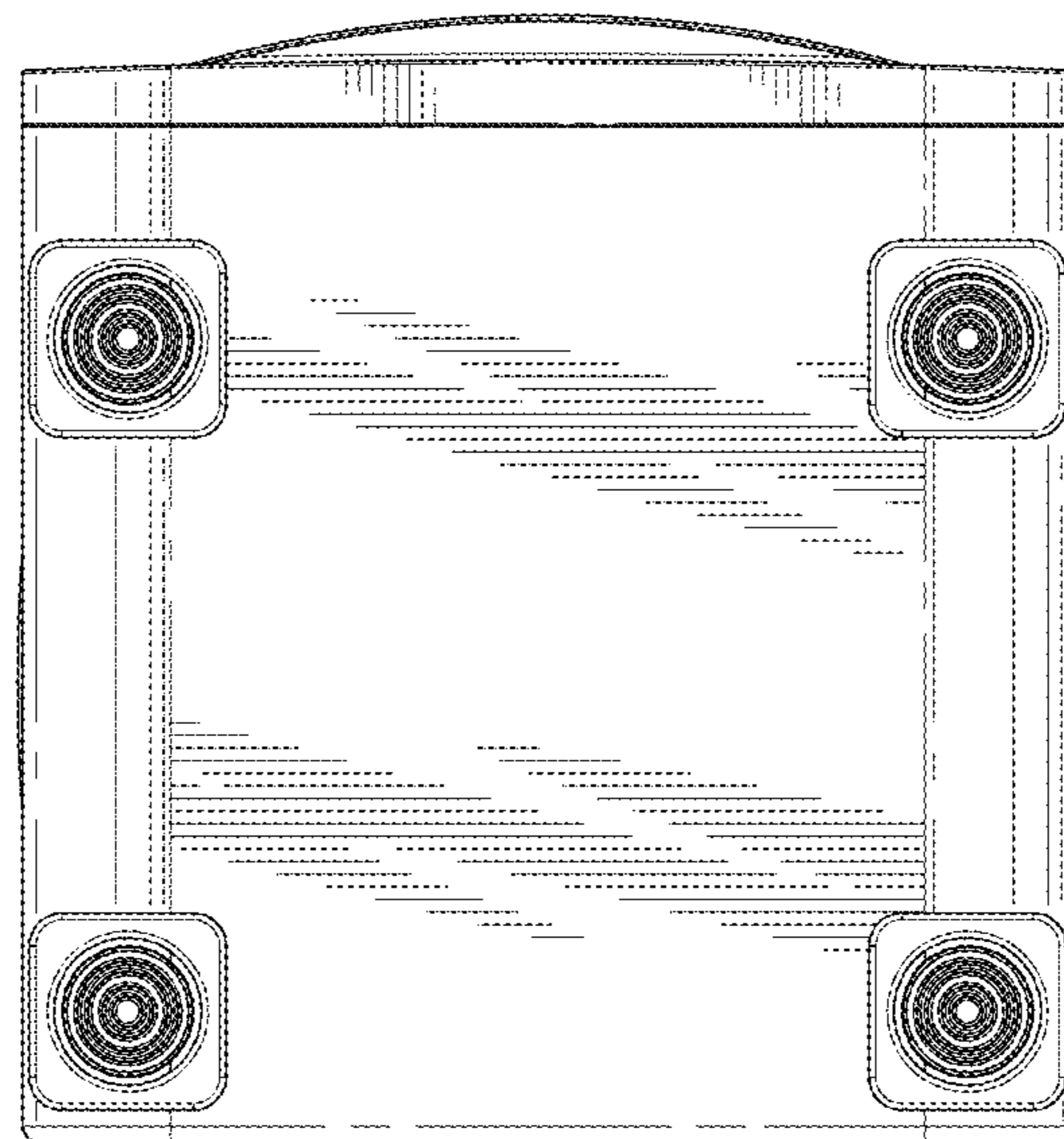


FIG. 6

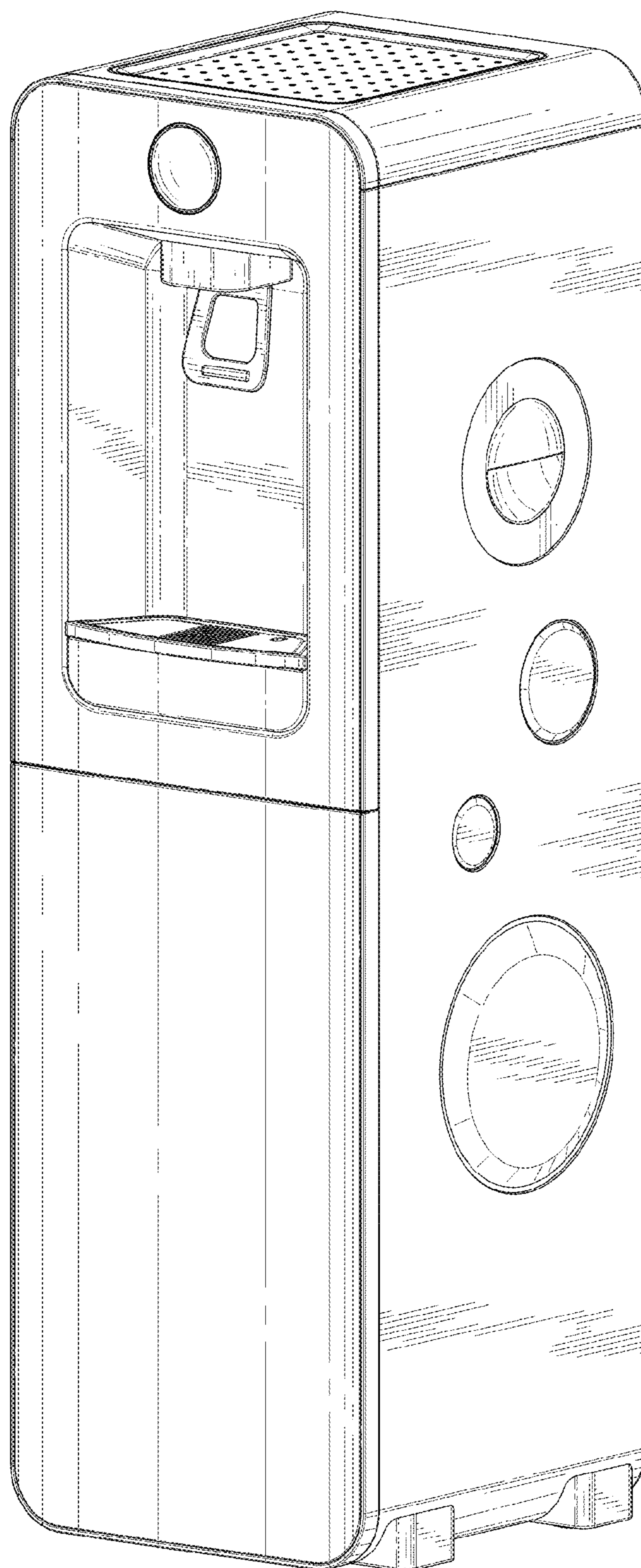


FIG. 7