



US00D787248S

(12) **United States Design Patent**
Jahns

(10) **Patent No.:** **US D787,248 S**

(45) **Date of Patent:** **** May 23, 2017**

(54) **CHAIR**

(71) Applicant: **Office Master Inc.**, Ontario, CA (US)

(72) Inventor: **Henner Jahns**, Los Angeles, CA (US)

(73) Assignee: **Office Master Inc.**, Ontario, CA (US)

(**) Term: **15 Years**

(21) Appl. No.: **29/563,499**

(22) Filed: **May 5, 2016**

(51) **LOC (10) Cl.** **06-01**

(52) **U.S. Cl.**
USPC **D6/716; D6/366**

(58) **Field of Classification Search**
USPC D6/334-336, 364, 365, 366, 372, 374,
D6/375, 379, 380, 716, 716.1, 716.2,
D6/716.4

CPC A47C 3/04; A47C 3/12; A47C 4/02; A47C
4/03; A47C 5/12; A47C 7/16

See application file for complete search history.

(56) **References Cited**

U.S. PATENT DOCUMENTS

3,408,106	A *	10/1968	Bolling	A47C 5/12 297/452.14
D227,830	S *	7/1973	Klose	D6/366
D443,991	S *	6/2001	Picotti	D6/366
D493,973	S	8/2004	Olson		
D535,838	S *	1/2007	Ritch	D6/716
D546,085	S *	7/2007	Ritch	D6/366
D609,037	S *	2/2010	Miller	D6/716
D646,085	S	10/2011	Overthun et al.		

D667,243	S *	9/2012	Su	D6/716
D679,524	S	4/2013	Corcorran et al.		
D679,525	S	4/2013	Corcorran et al.		
D703,987	S	5/2014	Smith et al.		
D704,945	S	5/2014	Massaud		
D709,297	S	7/2014	Starck		
D726,468	S	4/2015	McKenna et al.		
D729,564	S *	5/2015	Robins	D6/716
D731,801	S *	6/2015	McKenna	D6/366
D742,673	S	11/2015	Dorigo		
D743,712	S	11/2015	Behar et al.		
9,185,973	B2	11/2015	Udagawa et al.		

* cited by examiner

Primary Examiner — Mimosa De

(74) *Attorney, Agent, or Firm* — Andrus Intellectual Property Law, LLP

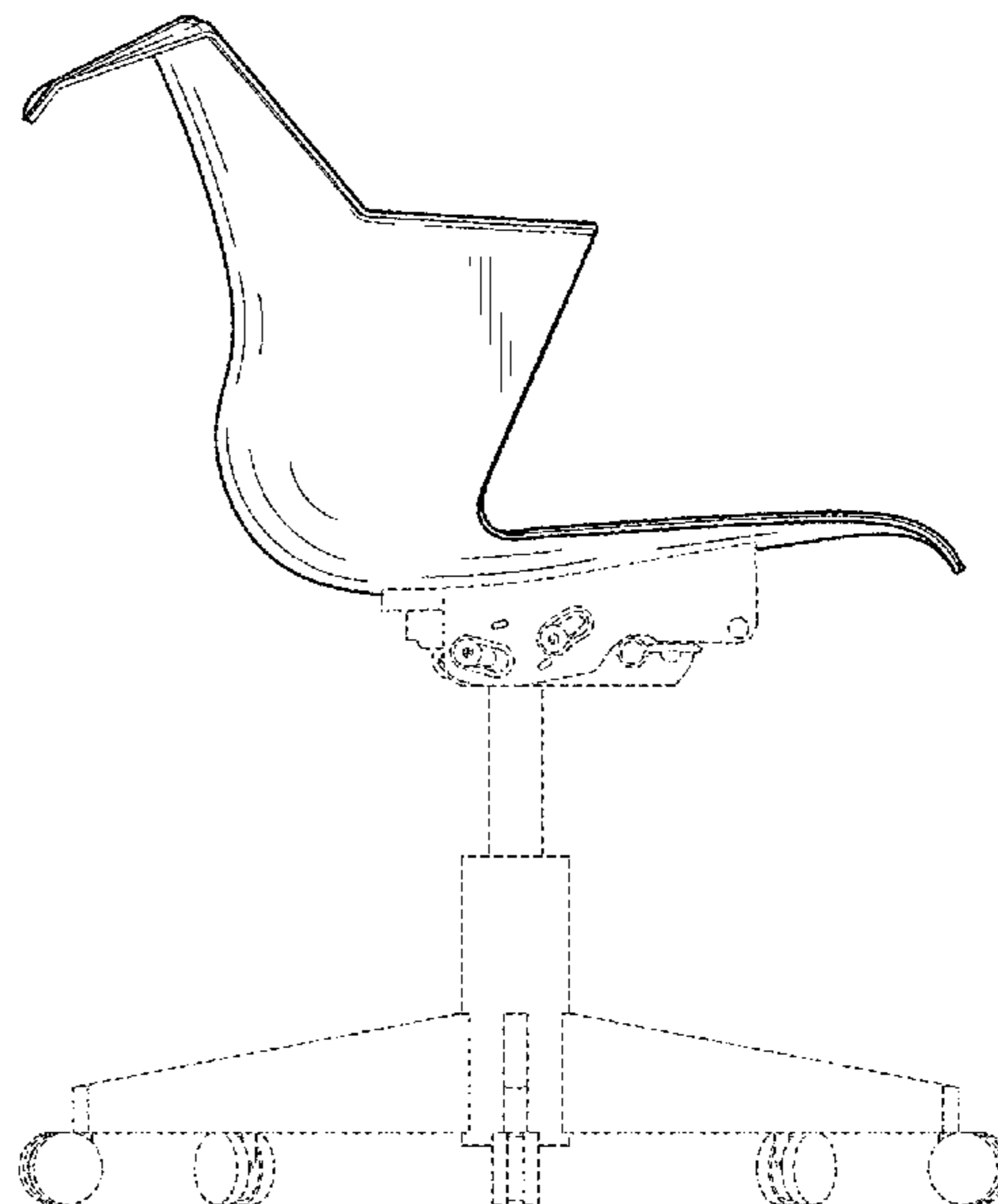
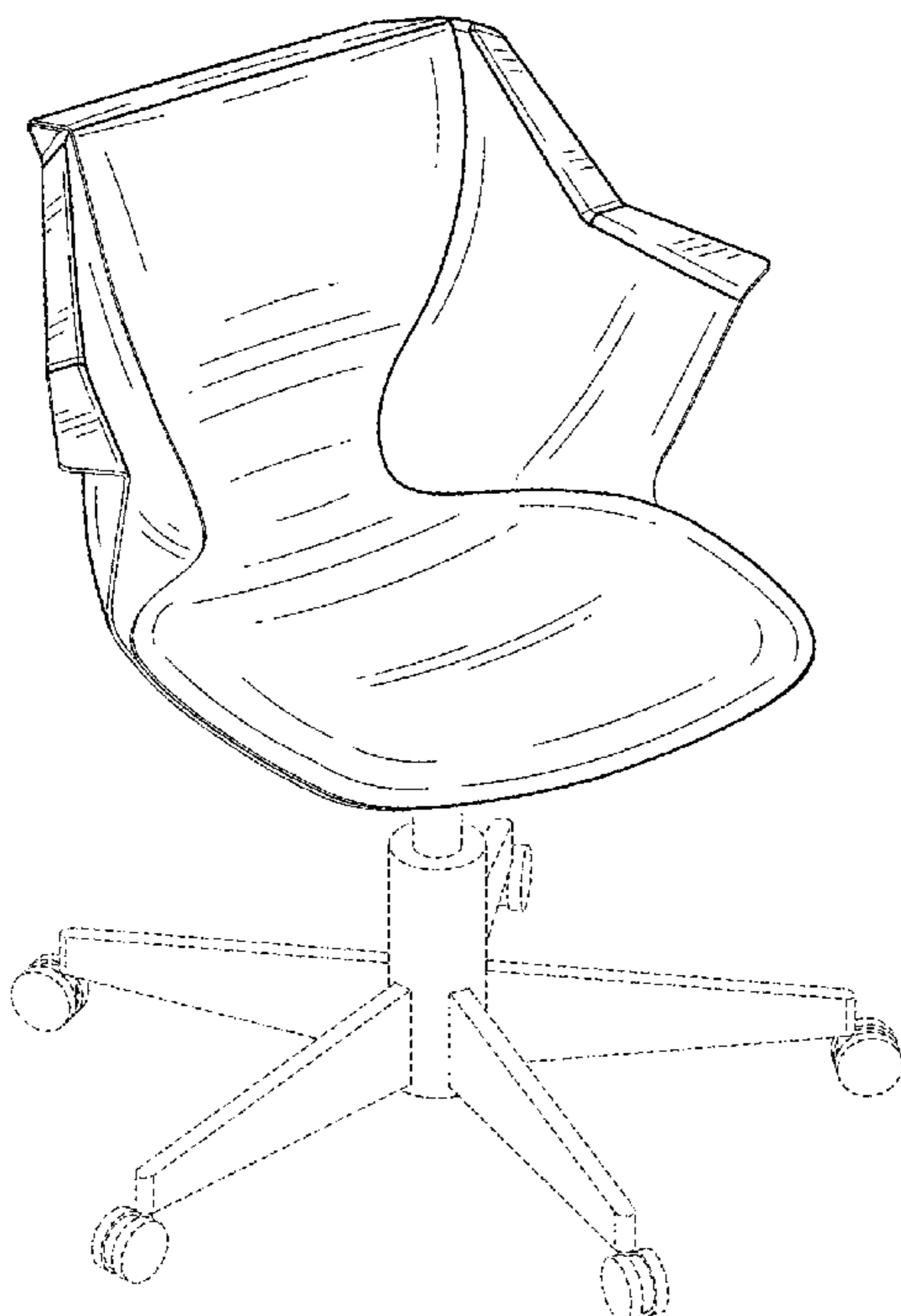
(57) **CLAIM**

The ornamental design for a chair, as shown and described.

DESCRIPTION

FIG. 1 is a front isometric view of a chair; FIG. 2 is a front elevation view thereof; FIG. 3 is a rear elevation view thereof; FIG. 4 is a right side elevation view thereof; FIG. 5 is a left side elevation view thereof; FIG. 6 is a top plan view thereof; and, FIG. 7 is bottom plan view thereof. The broken lines shown in the drawing views are included for purposes of illustrating environment and form no part of the claimed design.

1 Claim, 6 Drawing Sheets



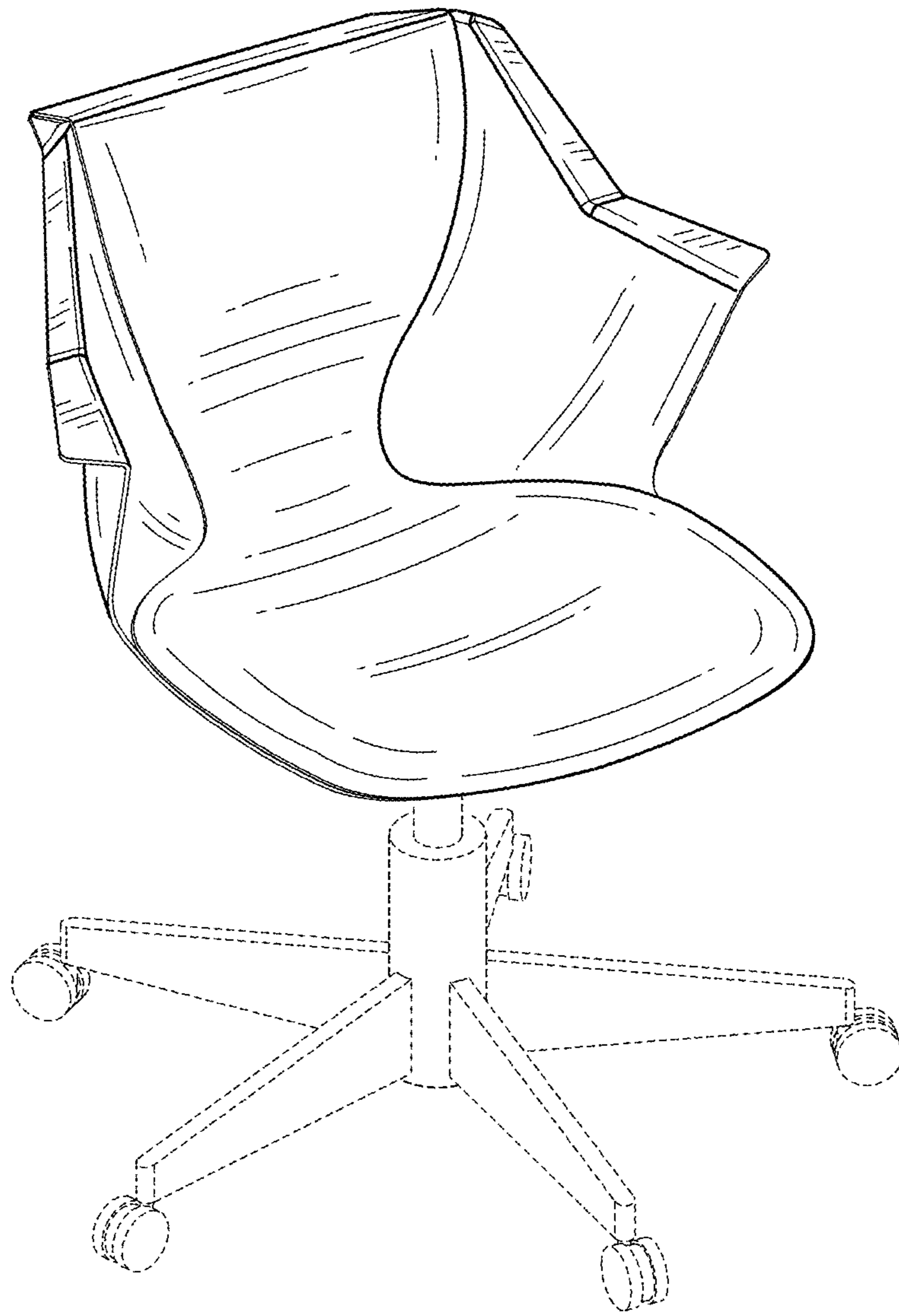


FIG. 1

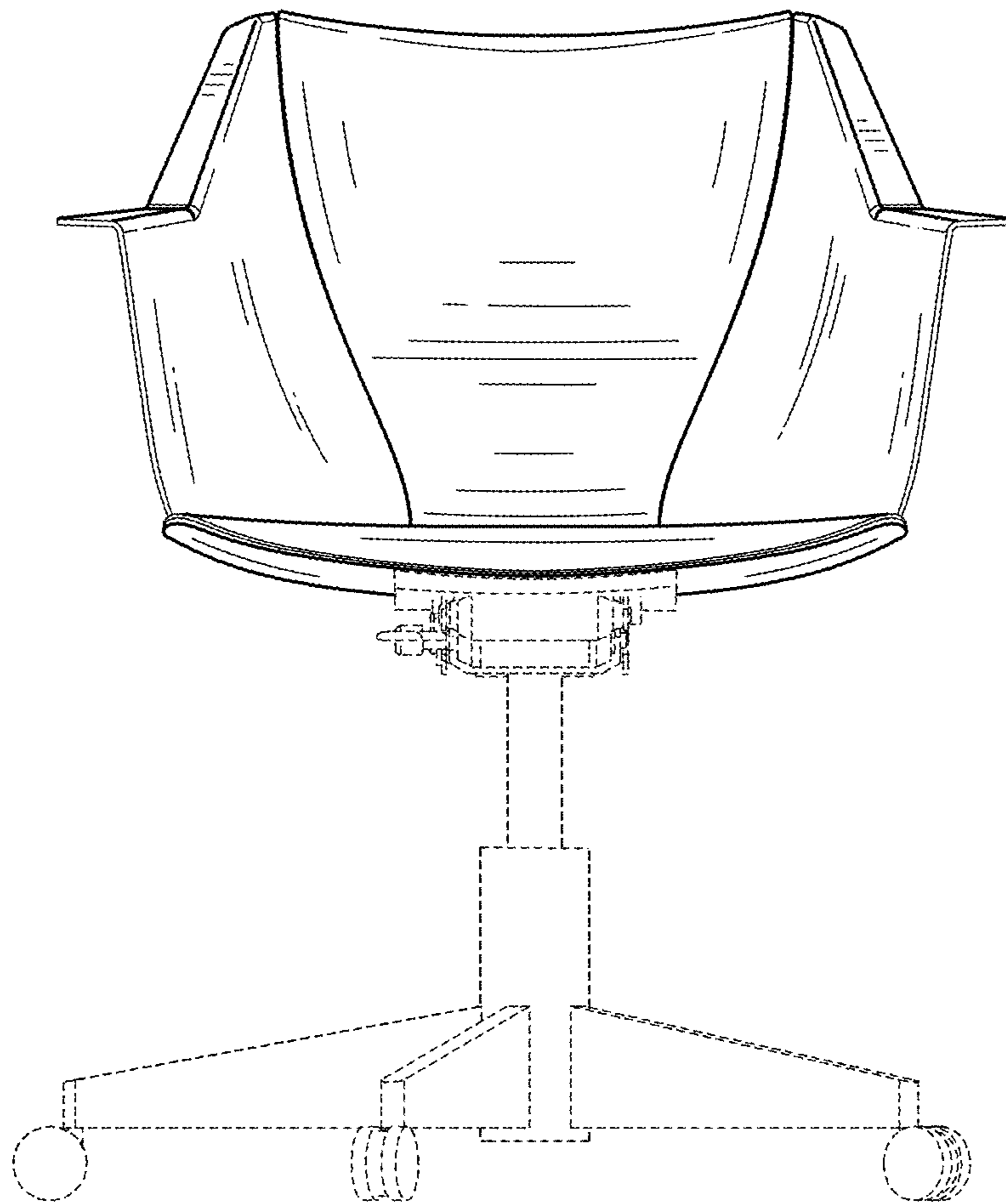


FIG. 2

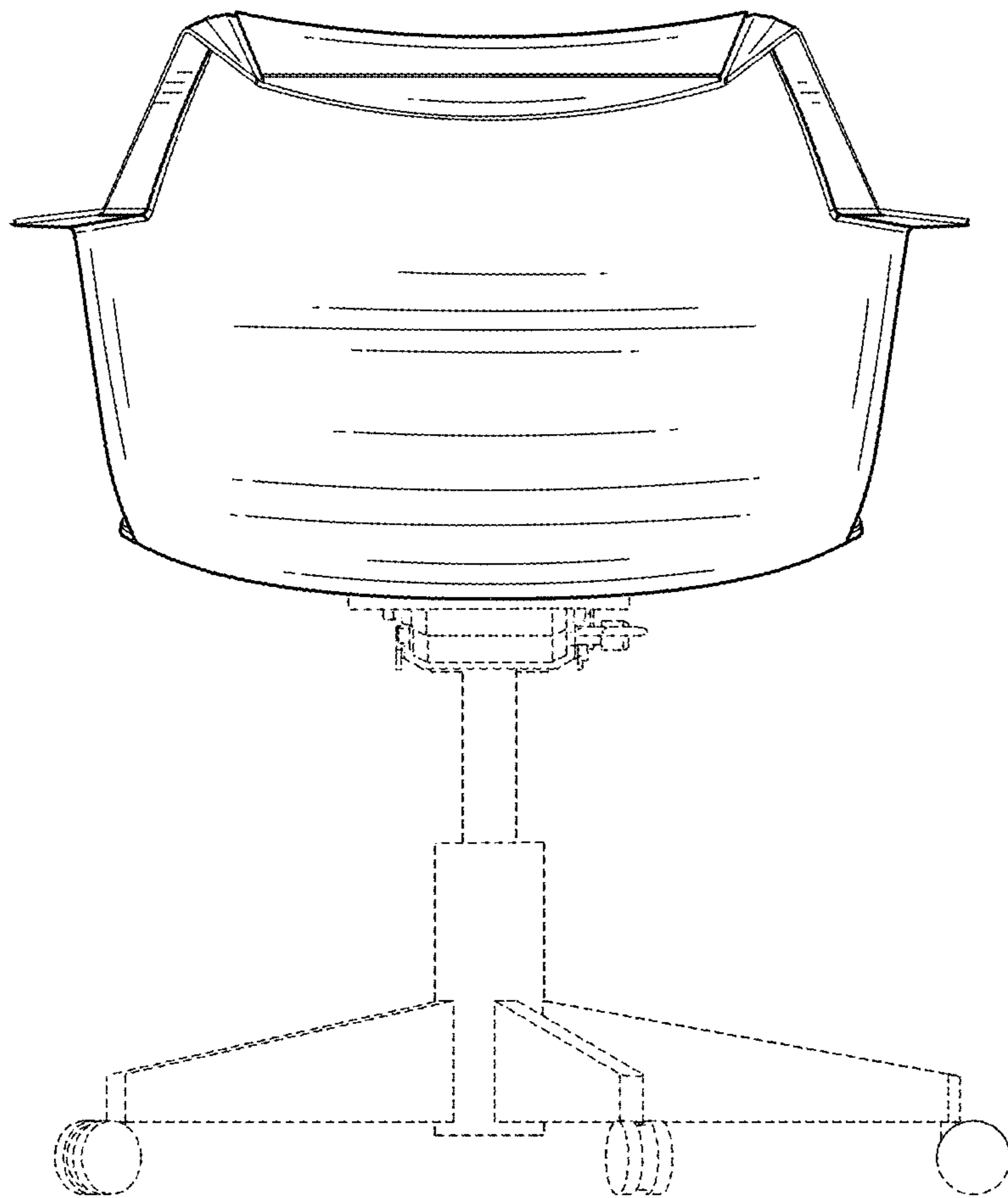


FIG. 3

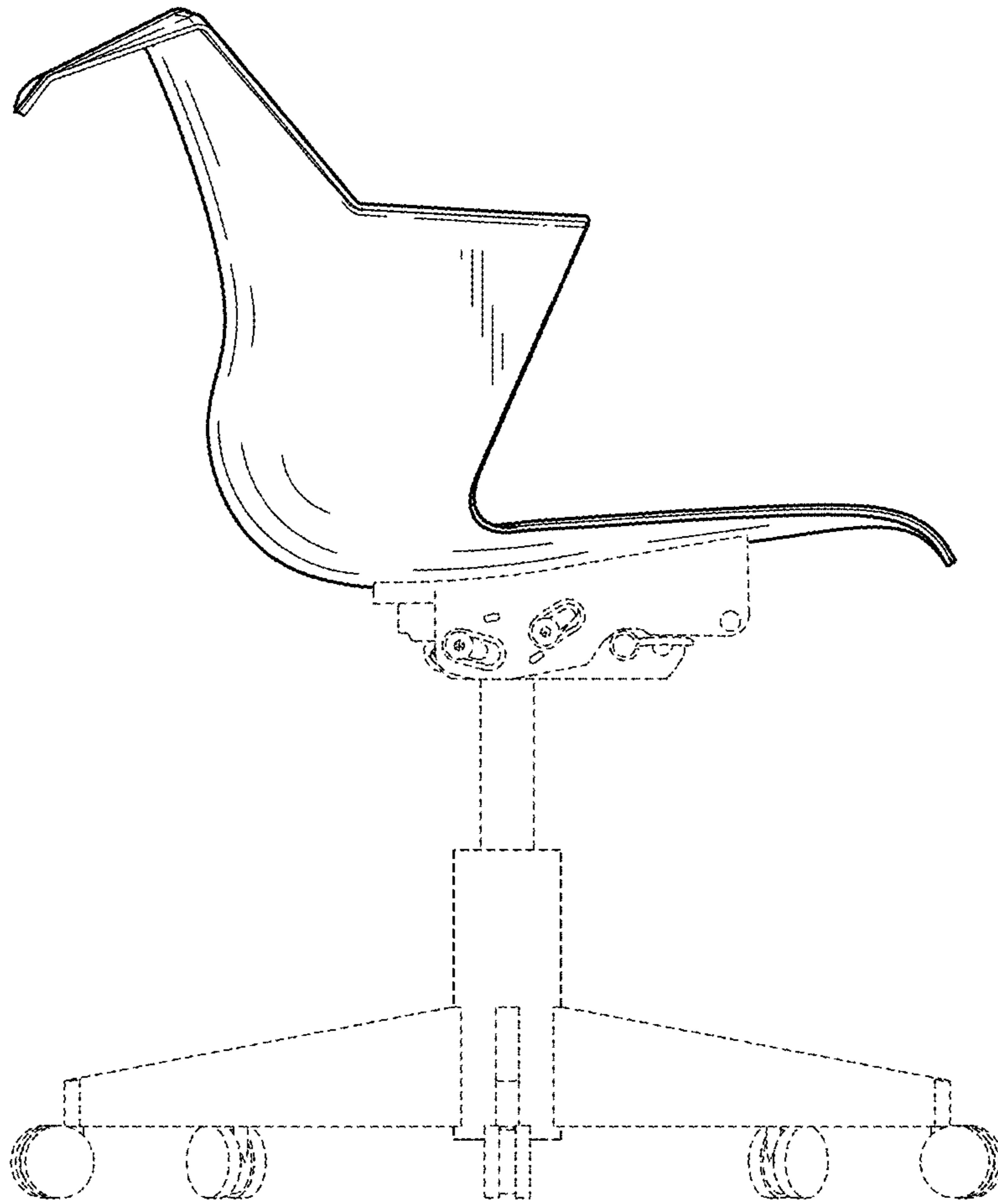


FIG. 4

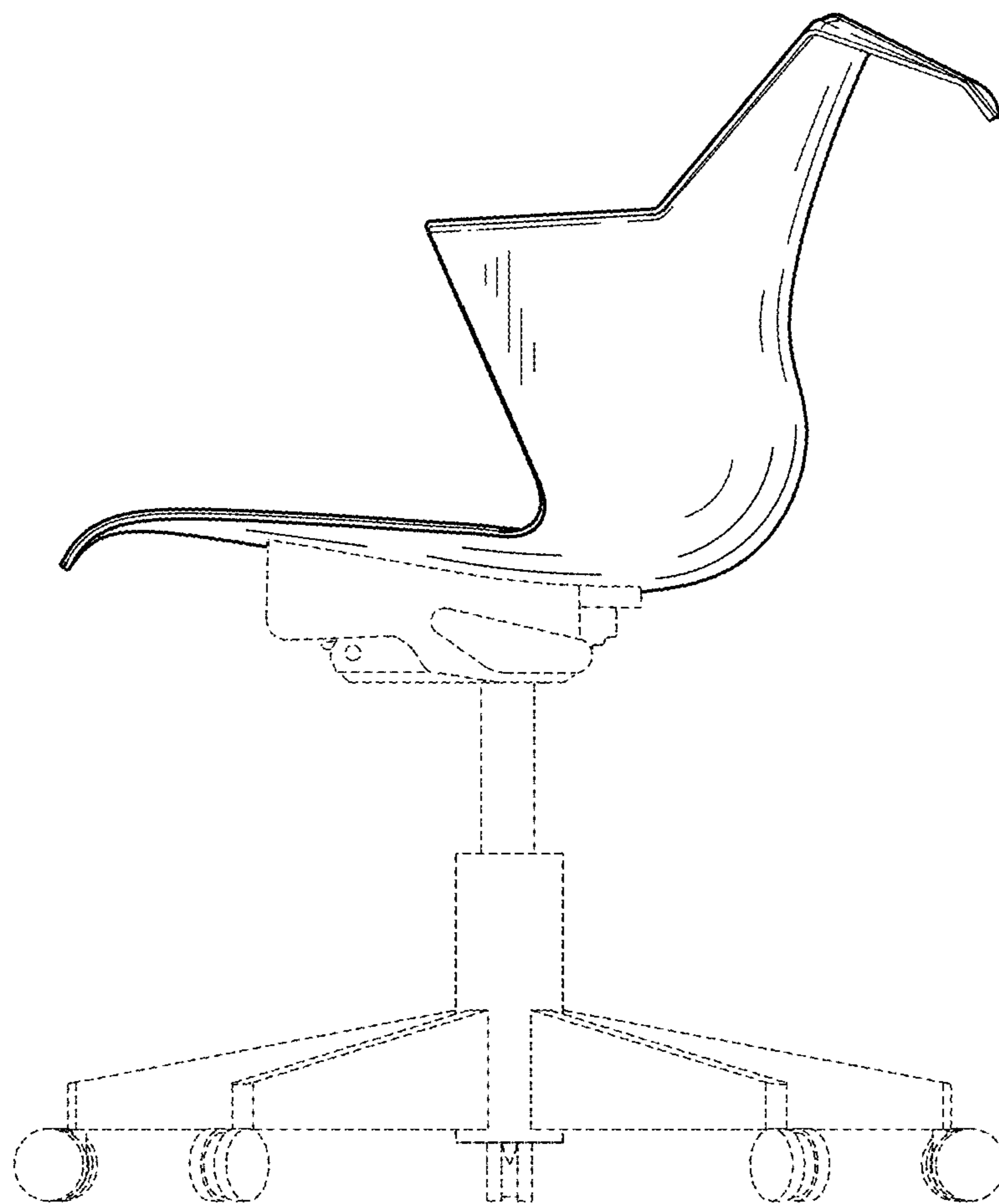


FIG. 5

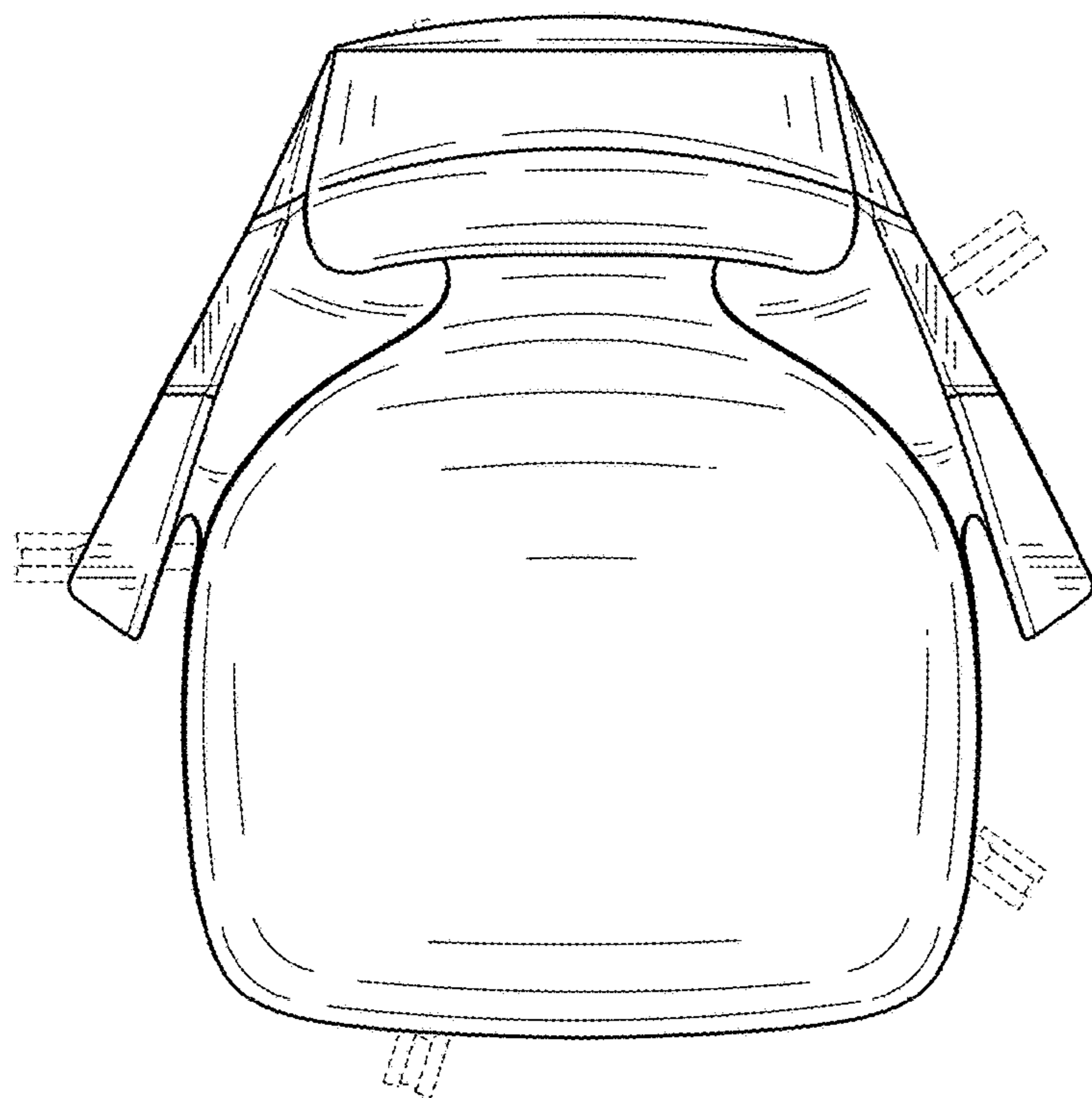


FIG. 6

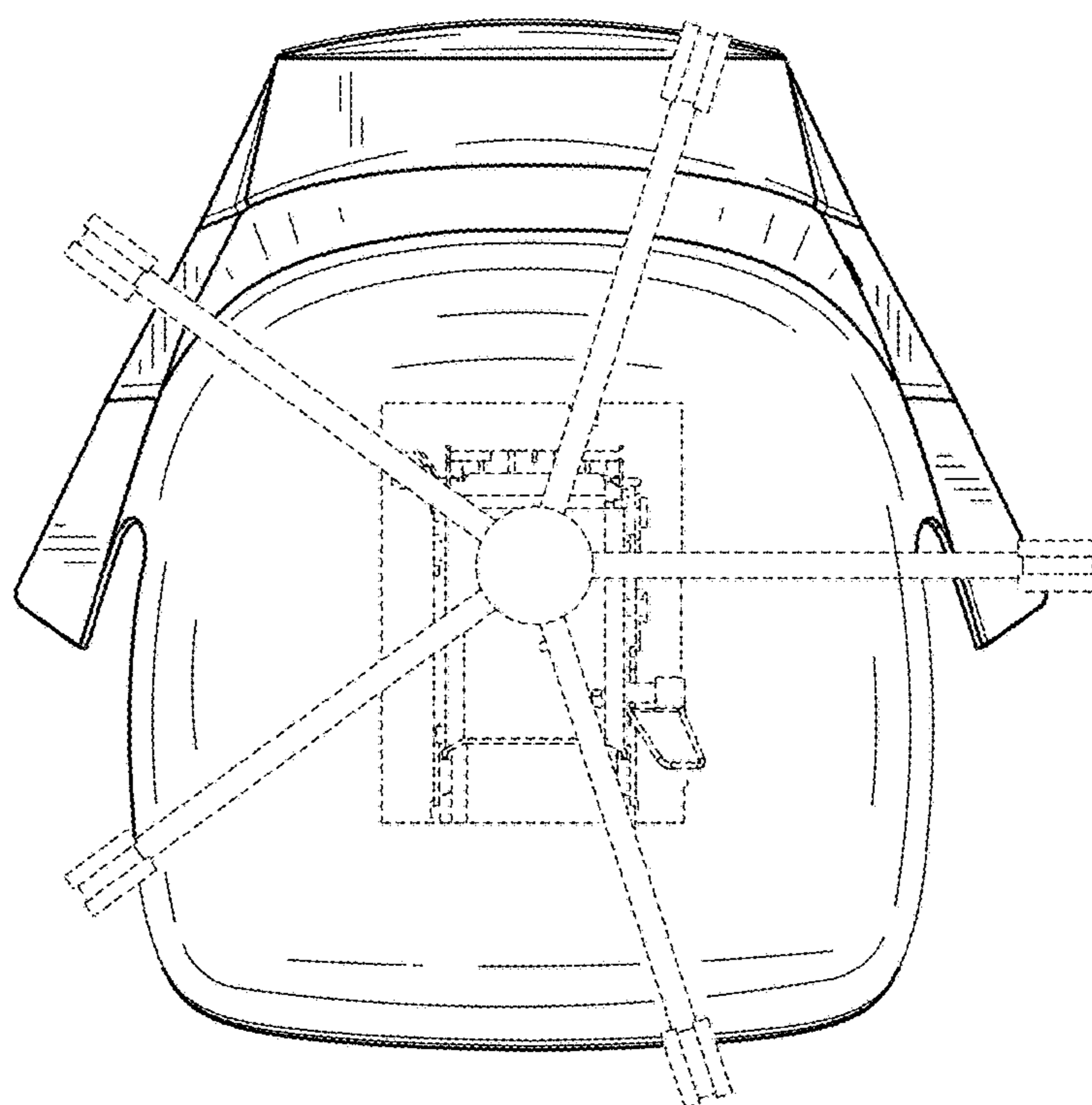


FIG. 7