



US00D787245S

(12) **United States Design Patent**
Korkatti

(10) **Patent No.:** **US D787,245 S**

(45) **Date of Patent:** **** May 23, 2017**

- (54) **CLOTHES HORSE**
- (71) Applicant: **Design Duster Oy**, Lempäälä (FI)
- (72) Inventor: **Mika Korkatti**, Lempäälä (FI)
- (73) Assignee: **DESIGN DUSTER OY**, Lempäälä (FI)
- (**) Term: **14 Years**
- (21) Appl. No.: **29/513,295**
- (22) Filed: **Dec. 30, 2014**

2,455,213	A *	11/1948	Bell	A47K 10/04 211/103
2,595,521	A *	5/1952	Hanson		
D243,297	S *	2/1977	Vizzard	D6/514
D244,654	S *	6/1977	Tegner	D6/548
4,360,109	A *	11/1982	Kurtz		
D284,282	S *	6/1986	Robinson	379/454
D305,716	S *	1/1990	Ghafoorzai	D8/1
D353,066	S *	12/1994	Brandenberg	D6/681.3
5,535,896	A *	7/1996	Morgan, Sr.		
D397,569	S *	9/1998	Warshawsky	D6/548
D406,960	S *	3/1999	Zaid	D6/552
D482,212	S *	11/2003	Nakaoka	D6/405
D573,822	S *	7/2008	Yang	D6/523

(Continued)

(30) **Foreign Application Priority Data**

Jun. 30, 2014 (EM) 002492884-0003

(51) **LOC (10) Cl.** **06-03**

(52) **U.S. Cl.**
USPC **D6/681.2**

(58) **Field of Classification Search**
 USPC D6/681.2, 672, 673, 681, 681.1, 681.3,
 D6/320, 321, 324, 335, 657, 675.2, 566,
 D6/323, 552, 708.24, 317, 327; D24/128,
 D24/185; D34/24; 211/85.2, 85.3,
 211/16-18, 22, 87.01, 88.01, 88.02,
 211/88.04, 90.01, 94.03, 95, 96, 100;
 248/229.26, 129, 125.9, 158, 125.8,
 248/125.1, 125.7; 280/47.35, 47.34;
 D7/701-708, 600.1-600.4; D12/406
 CPC D06F 57/12; D06F 57/02; A47K 10/04;
 A47B 2200/0076; A47B 46/00; A47B
 49/00; A47B 67/005; A47G 25/0685;
 A47G 25/0664; F21V 21/26; A47F 7/24
 See application file for complete search history.

(56) **References Cited**

U.S. PATENT DOCUMENTS

1,796,344	A *	3/1931	Pleiss	A47K 10/04 211/96
D116,011	S *	8/1939	Boyers	D6/681.2

OTHER PUBLICATIONS

Design Duster (YouTube), available May 21, 2014, [online], [site visited Aug. 4, 2016]. Video available from internet, <URL: https://www.youtube.com/watch?v=zq_aarUldQY>.*

(Continued)

Primary Examiner — Cathron Brooks
Assistant Examiner — Teddy Falloway
(74) *Attorney, Agent, or Firm* — FisherBroyles, LLP;
Robert Kinberg

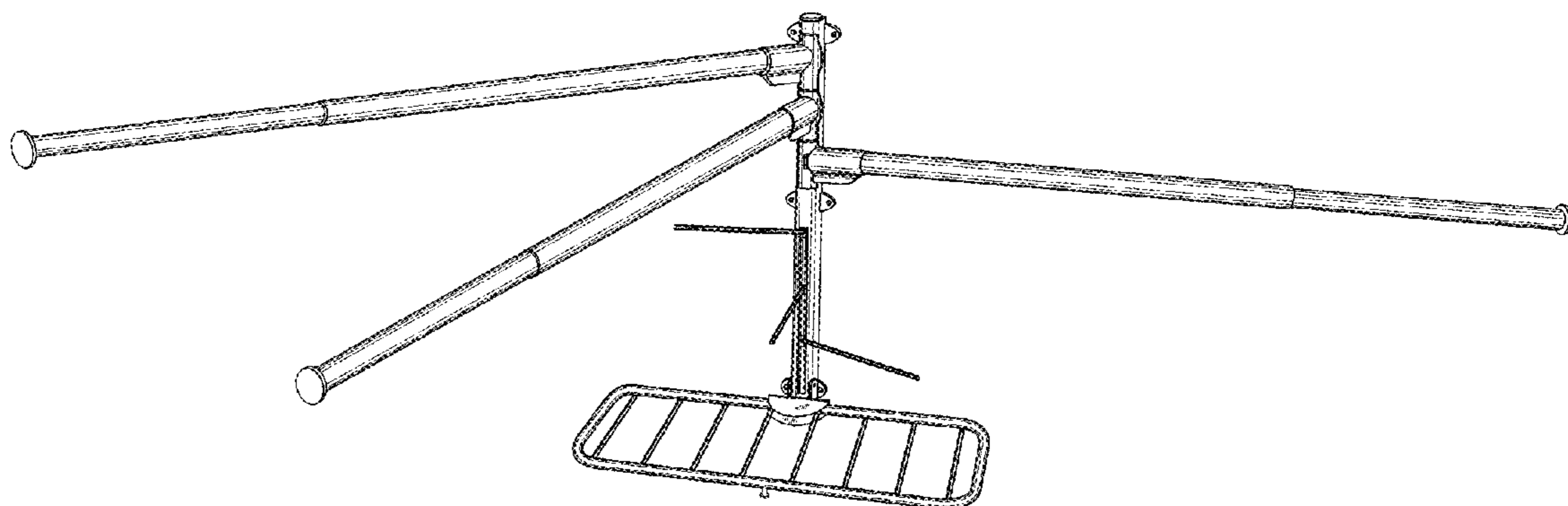
(57) **CLAIM**

The ornamental design for a clothes horse, as shown and described in FIGS. 1 through 6.

DESCRIPTION

FIG. 1 is a front elevational view of a clothes horse, shown in a deployed position;
FIG. 2 is a front elevational view thereof, shown in a non-deployed position;
FIG. 3 is a side view thereof;
FIG. 4 is a top, front perspective view of FIG. 1;
FIG. 5 is a top plan view thereof; and,
FIG. 6 is a top plan view of FIG. 2.

1 Claim, 6 Drawing Sheets



(56)

References Cited

U.S. PATENT DOCUMENTS

D642,402 S * 8/2011 Rickard D6/681.3
D691,389 S * 10/2013 Snider D6/519
8,876,075 B2 * 11/2014 Diez F16M 11/06
248/274.1
D720,450 S * 12/2014 Glenn D24/128
D731,824 S * 6/2015 Nigro D6/672
D741,037 S * 10/2015 Mustari D32/58
2012/0137534 A1 * 6/2012 Barnard D06F 57/02
34/72
2012/0170293 A1 * 7/2012 Terry F16M 11/10
362/431

OTHER PUBLICATIONS

Duster XL, available Aug. 21, 2015, [online], [site visited Aug. 4, 2016]. Available from internet, <URL: <http://www.duster.fi/product/duster-xl/>>.*

Swing Arm Towel Holder, available Sep. 6, 2015, [online], [site visited Aug. 4, 2016]. Available from internet, <URL: <http://www.houzz.com/photos/27630248/3-Swing-Arm-Towel-Holder-Satin-Nickel-contemporary-towel-racks-and-stands>>.*

Bathroom Accessory Stand, available Aug. 3, 2016, [online], [site visited Aug. 4, 2016]. Available from internet, <URL: <http://www.houzz.com/photos/22506423/WS-Bath-Collections-Bloom-2824-Bathroom-Accessory-Stand-contemporary-towel-racks-and-stands>>.*

* cited by examiner

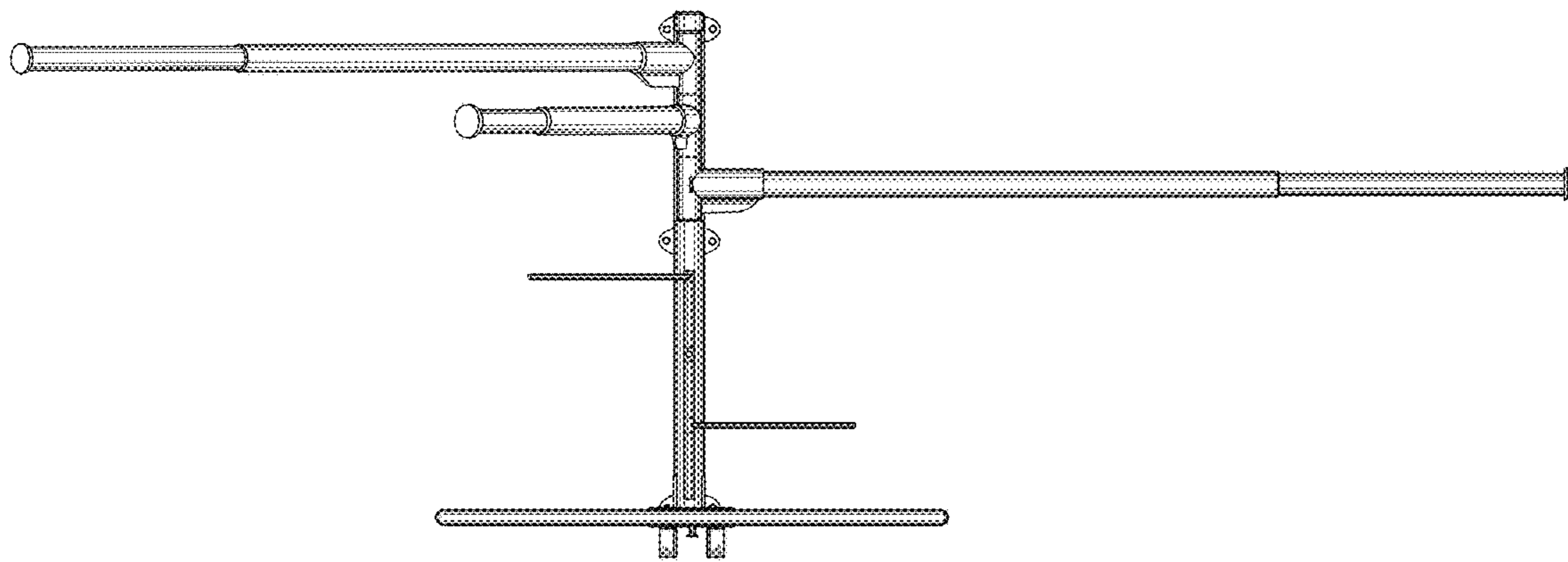


FIG. 1

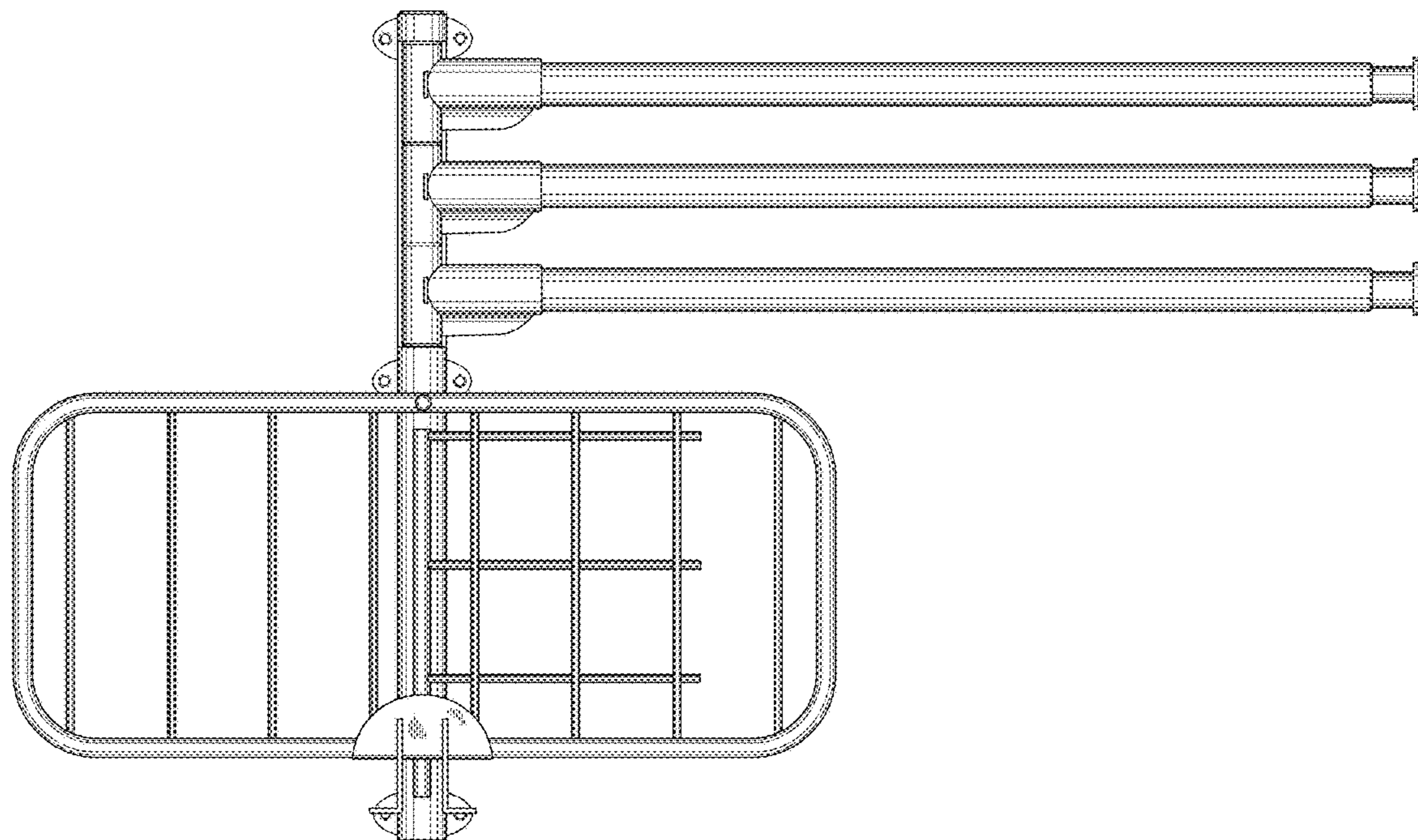


FIG. 2

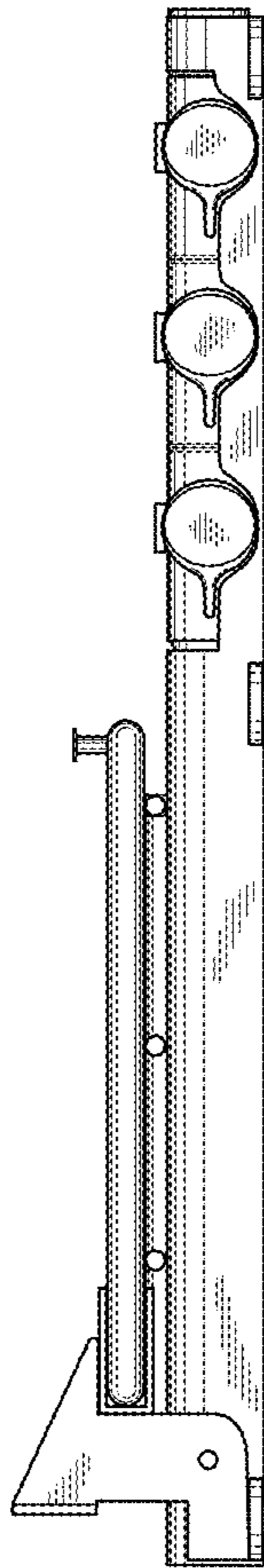


FIG. 3

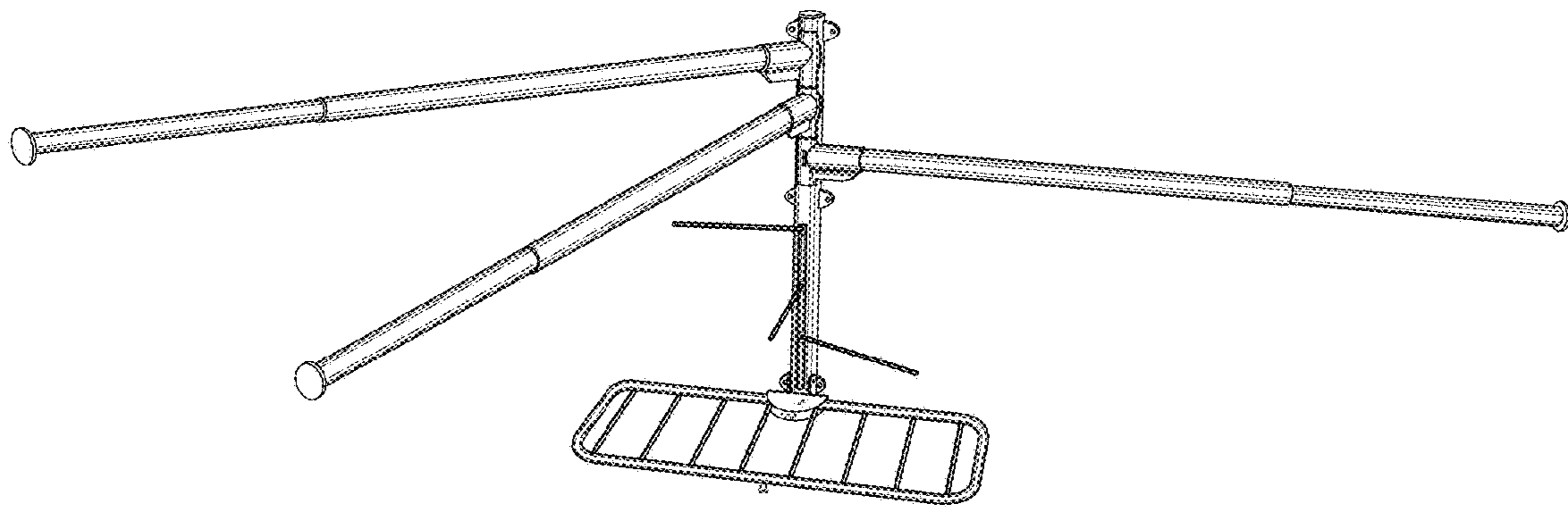


FIG. 4

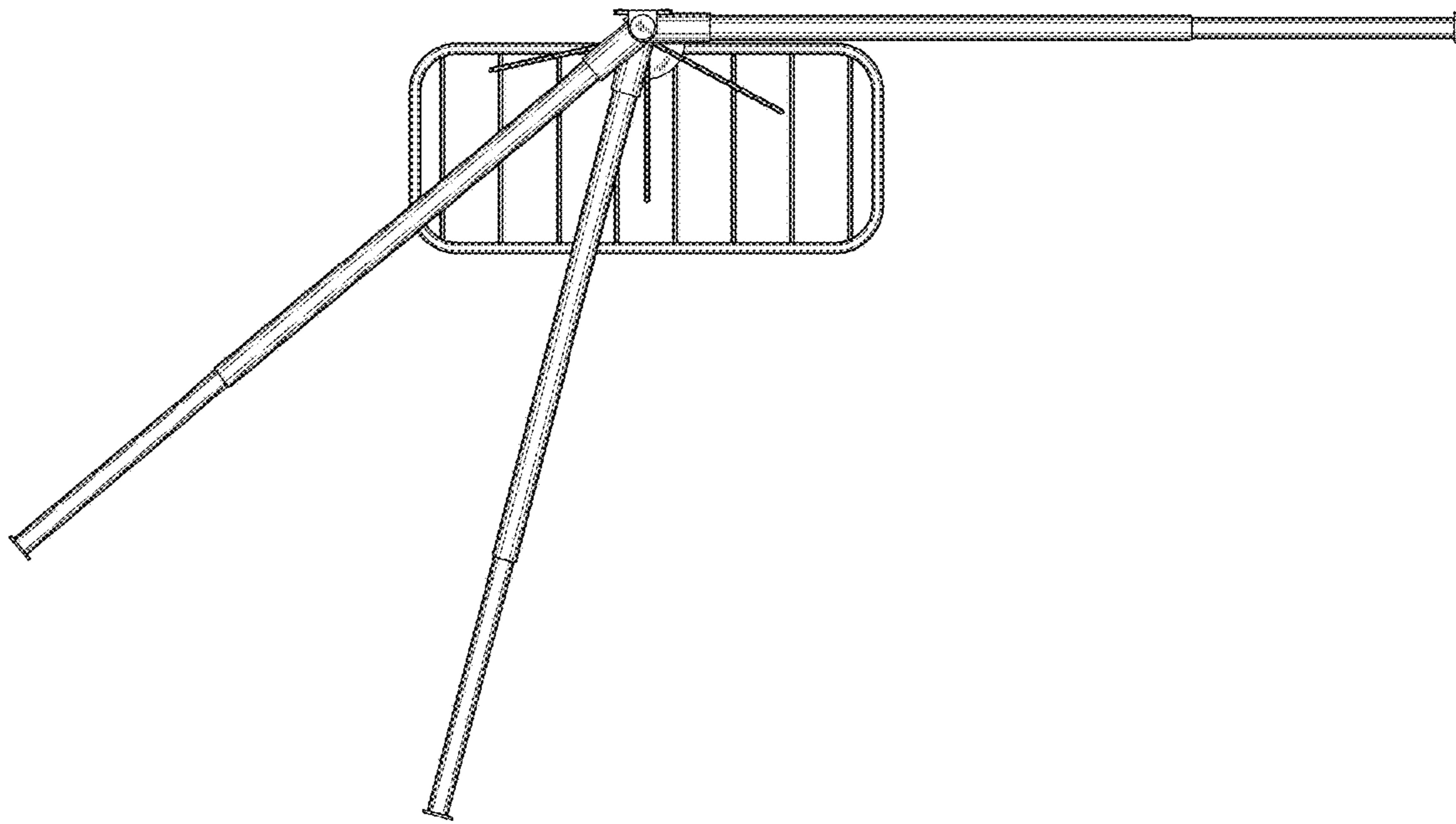


FIG. 5

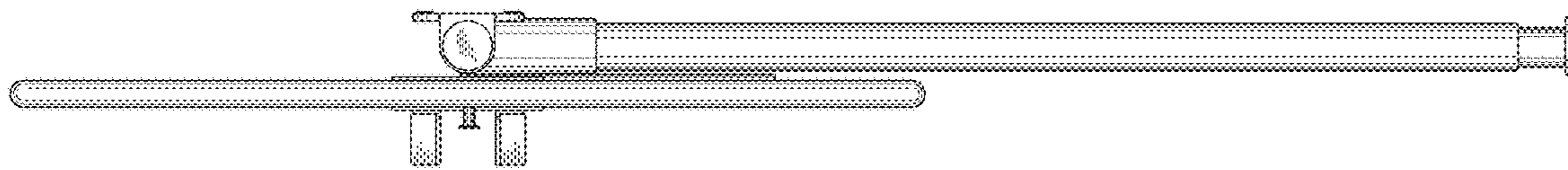


FIG. 6