



US00D787244S

(12) **United States Design Patent** (10) **Patent No.:** **US D787,244 S**
Lee (45) **Date of Patent:** **** May 23, 2017**

(54) **WIRE RACK**

(71) Applicant: **Linda R. Lee**, Yuma, AZ (US)

(72) Inventor: **Linda R. Lee**, Yuma, AZ (US)

(**) Term: **15 Years**

(21) Appl. No.: **29/537,791**

(22) Filed: **Aug. 28, 2015**

(51) **LOC (10) Cl.** **06-06**

(52) **U.S. Cl.**
USPC **D6/678.4**

(58) **Field of Classification Search**
USPC D32/55, 58; D6/536, 537, 566, 672,
D6/675.2, 678, 678.4
CPC A47J 47/20; A47J 2201/00; A47J 47/00;
B65D 35/02; B65D 35/22; B65D 35/56
See application file for complete search history.

(56) **References Cited**

U.S. PATENT DOCUMENTS

2,906,412 A	9/1959	Tanner	
D336,005 S	6/1993	Keup	
6,386,393 B1	5/2002	Paulovich et al.	
D494,017 S *	8/2004	Compagnucci	D7/601
D697,379 S *	1/2014	Puruganan	D7/673
D704,483 S *	5/2014	Dryden	D6/675.2
D719,797 S *	12/2014	Puruganan	D7/600.1
D720,580 S *	1/2015	Puruganan	D7/600.1
D720,581 S *	1/2015	Puruganan	D7/704

D749,900 S *	2/2016	Hyp	D7/402
D763,020 S *	8/2016	Tsai	D6/678.4
D776,385 S *	1/2017	Evans	D32/55
2005/0236344 A1 *	10/2005	Yang	A47L 19/04 211/41.4
2006/0179562 A1	8/2006	Huber	
2011/0049314 A1	3/2011	Yoon	
2012/0292346 A1	11/2012	Watson	

OTHER PUBLICATIONS

HD Super Duty Dunnage Racks, Stainless Steel. <http://www.metroshelvingproducts.com/HD-Super-Duty-Dunnage-Racks-Stainless-Steel-HDP-S-Series.htm> Accessed May 14, 2015.

* cited by examiner

Primary Examiner — Kelley Donnelly
(74) *Attorney, Agent, or Firm* — Robert C. Montgomery; Montgomery Patent & Design, LP.

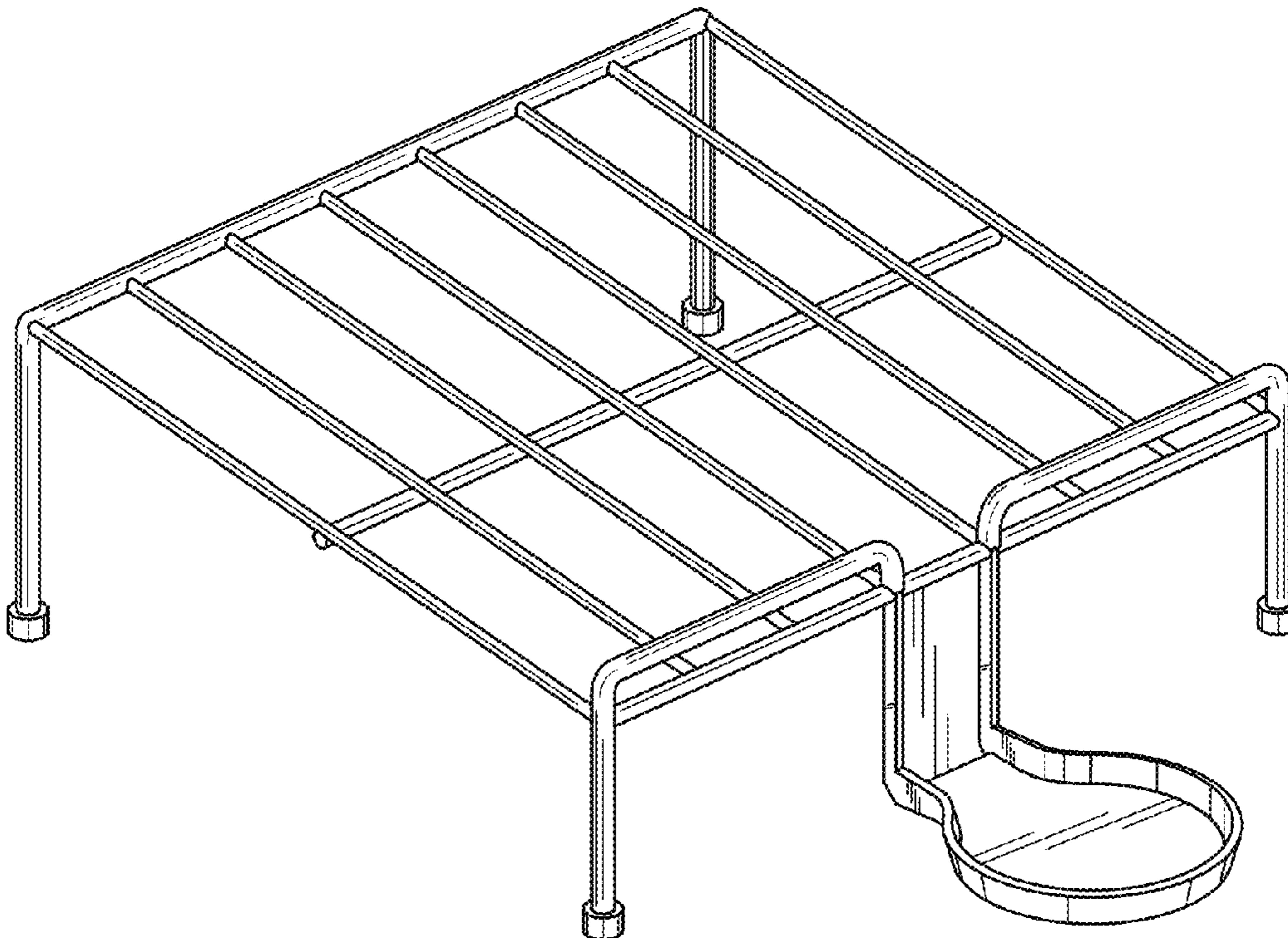
(57) **CLAIM**

The ornamental design for a wire rack, as shown and described.

DESCRIPTION

FIG. 1 is a perspective front side view of the wire rack, showing my new design;
FIG. 2 is a front side view thereof;
FIG. 3 is a back side view thereof;
FIG. 4 is a right side view with the left side view being a mirror image thereof;
FIG. 5 is a top side view thereof; and,
FIG. 6 is a bottom side view thereof.

1 Claim, 6 Drawing Sheets



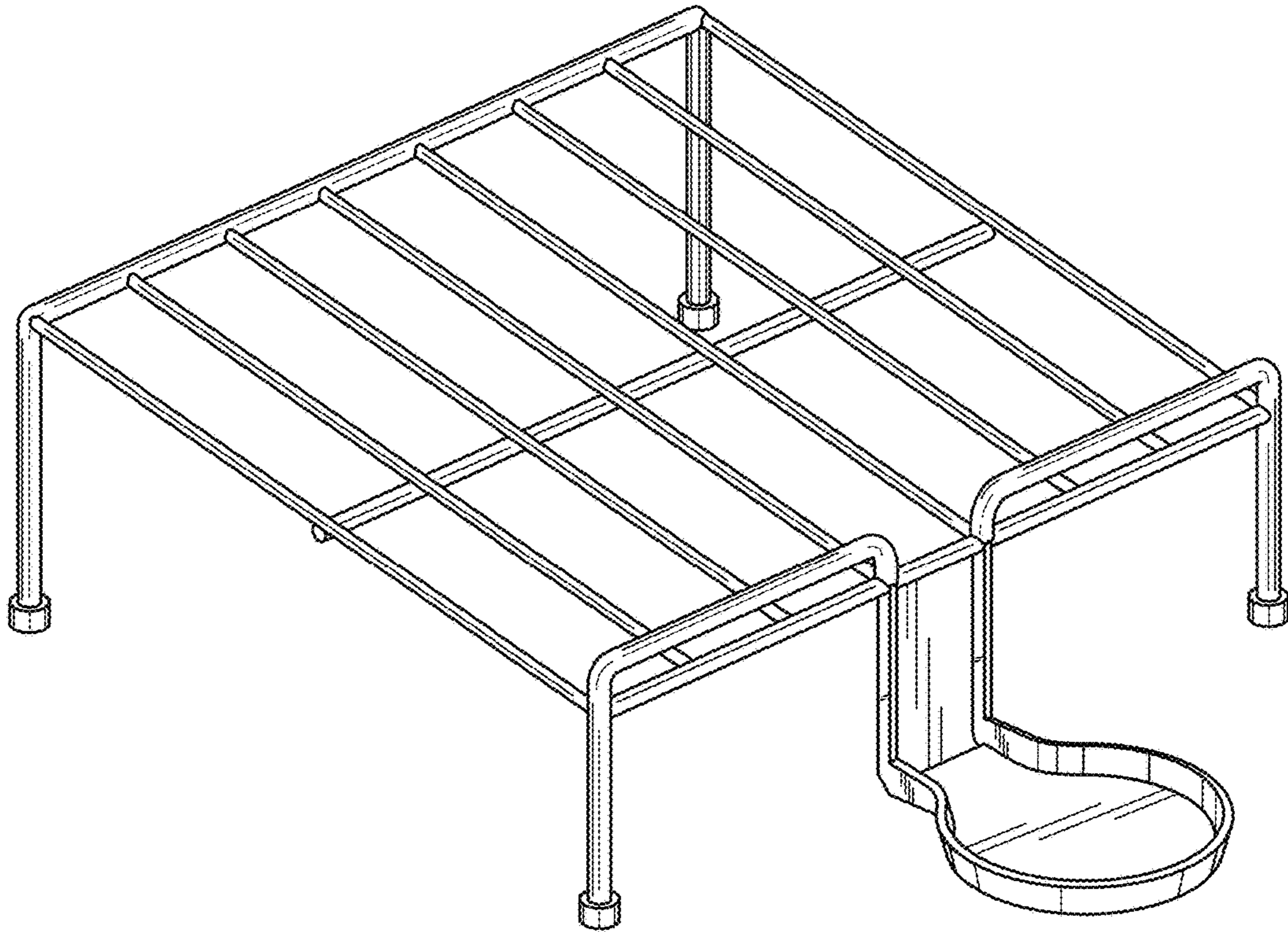


FIG. 1

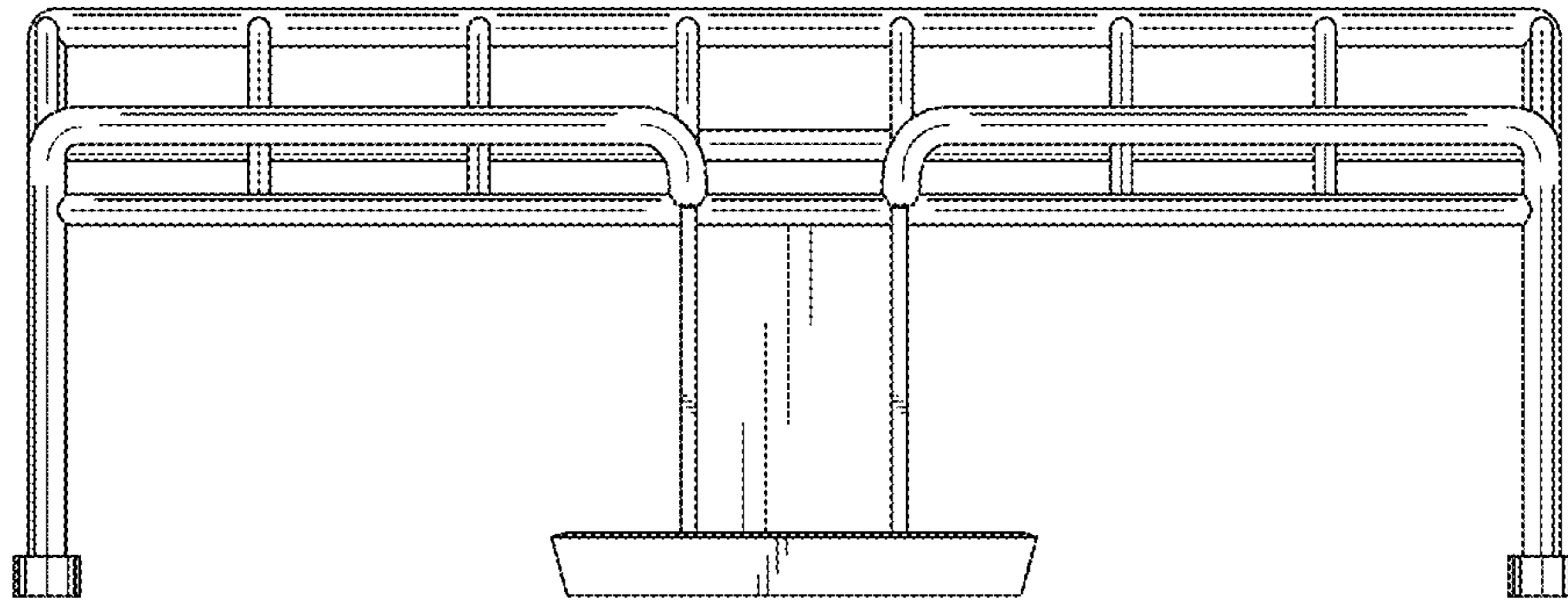


FIG. 2

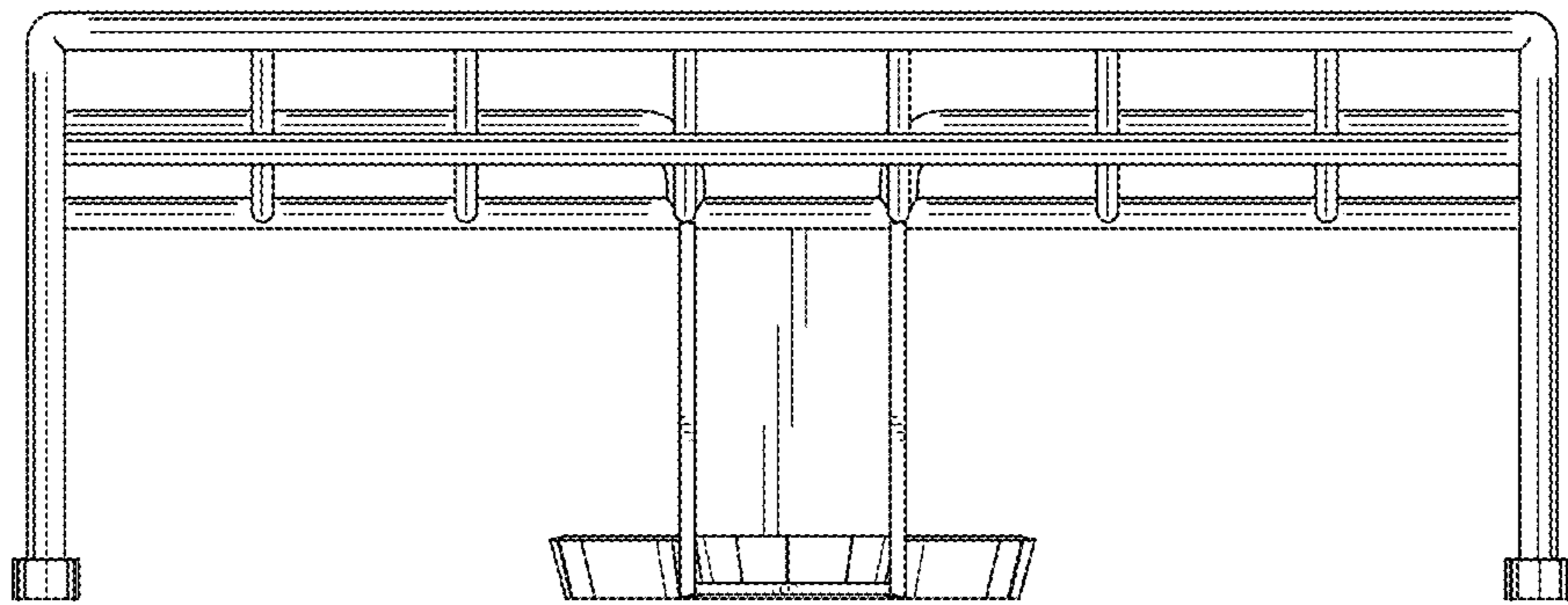


FIG. 3

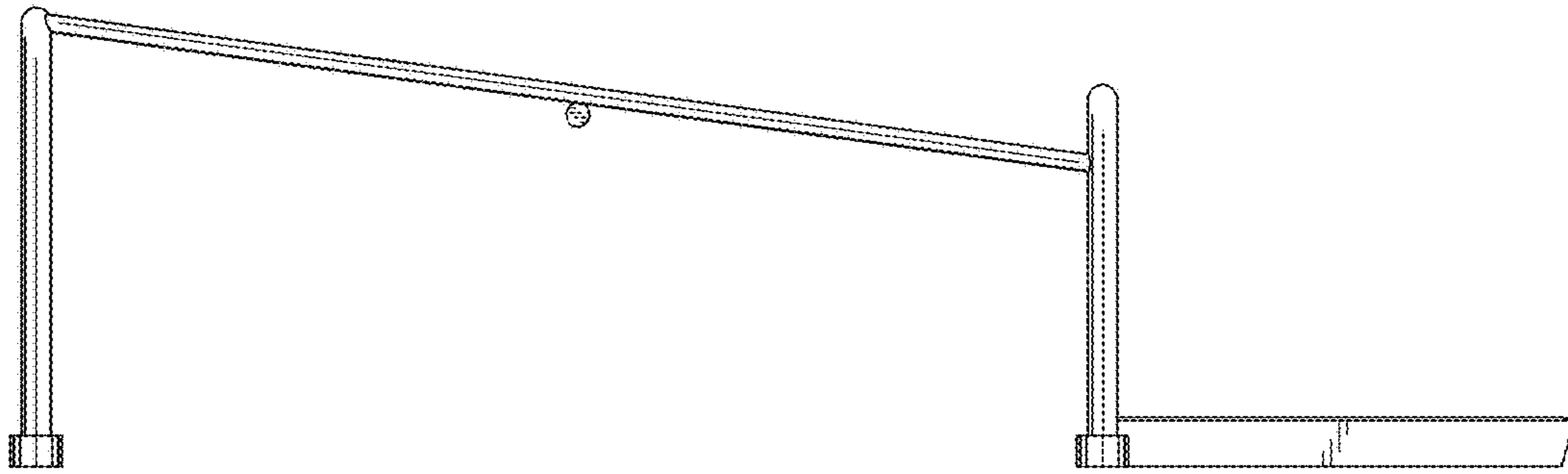


FIG. 4

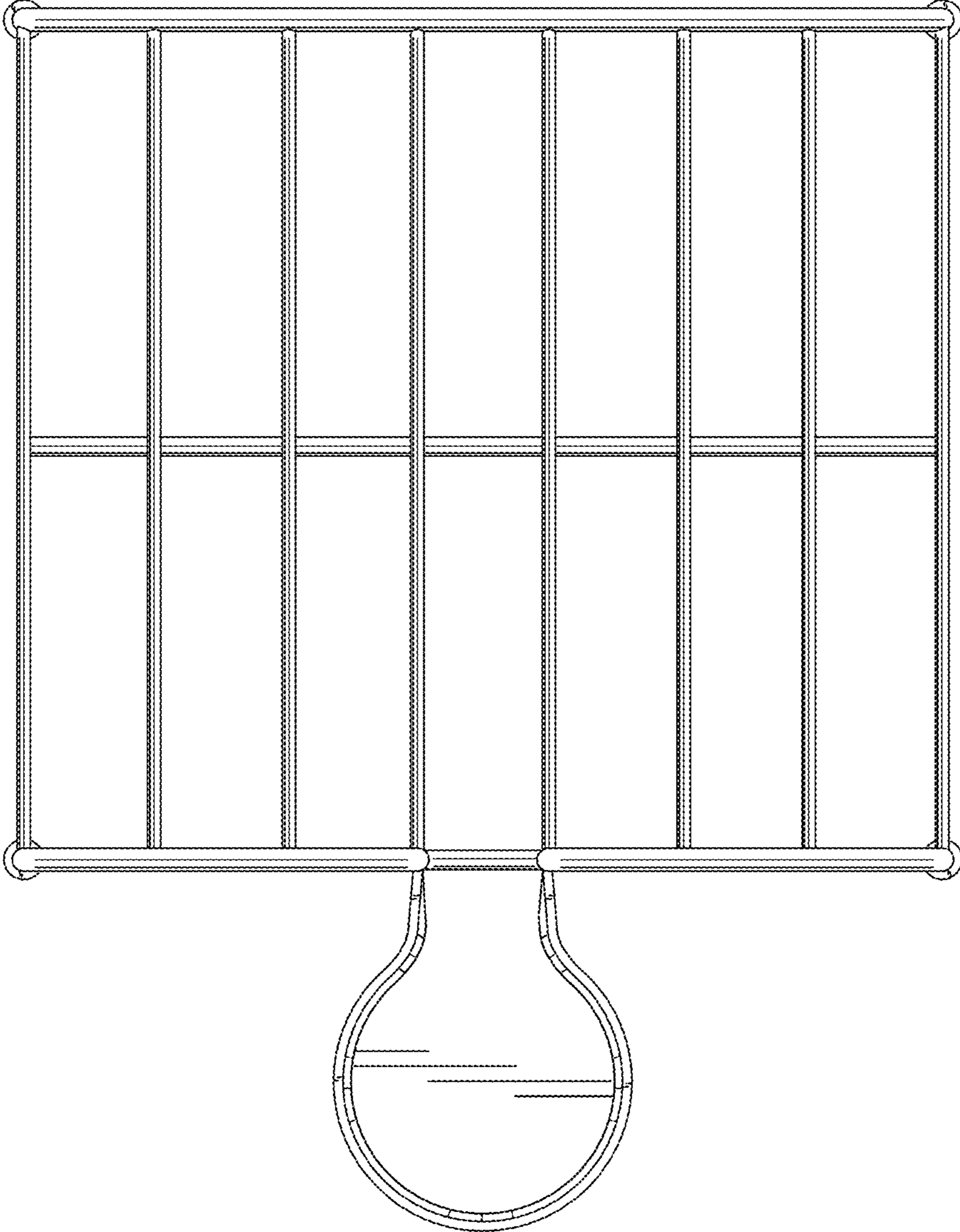


FIG. 5

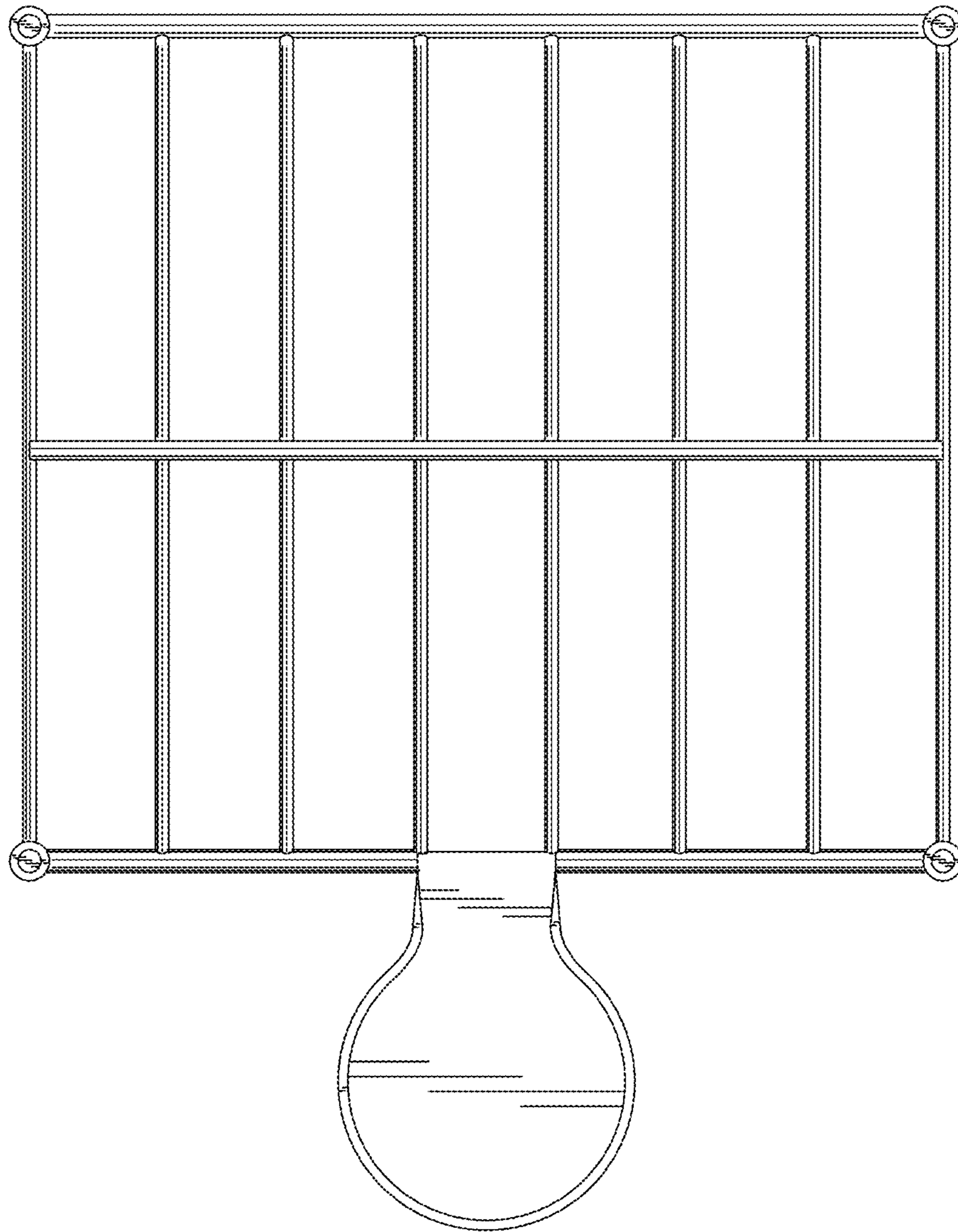


FIG. 6