



US00D787242S

(12) **United States Design Patent** (10) **Patent No.:** **US D787,242 S**  
**Hsu** (45) **Date of Patent:** **\*\* \*May 23, 2017**

- (54) **SHOE RACK** D432,820 S \* 10/2000 Walters-Dowding ..... D6/675.2
- (71) Applicant: **Seville Classics Inc.**, Torrance, CA 6,260,488 B1 \* 7/2001 Yang ..... A47B 57/545  
(US) 108/107
- (72) Inventor: **Li-Han Hsu**, Torrance, CA (US) D602,712 S \* 10/2009 Ho ..... D6/675.2
- (73) Assignee: **Seville Classics, Inc.**, Torrance, CA D626,356 S \* 11/2010 Ho ..... D6/675.2  
(US) D637,427 S \* 5/2011 Troyner ..... D6/705.6
- (\*) Notice: This patent is subject to a terminal dis- D683,983 S \* 6/2013 Troyner ..... D6/675.2  
claimer. D699,485 S \* 2/2014 Hsu ..... D6/675.1
- (\*\*) Term: **15 Years** D703,467 S \* 4/2014 Ho ..... D6/675.1
- (21) Appl. No.: **29/568,554** D703,468 S \* 4/2014 Ho ..... D6/675.1
- (22) Filed: **Jun. 20, 2016** D704,482 S \* 5/2014 Hsu ..... D6/675.1
- D731,212 S \* 6/2015 Hsu ..... D6/675.2
- D739,681 S \* 9/2015 Bee ..... D7/600.4
- D742,664 S \* 11/2015 Hsu ..... D6/675.5
- D762,402 S \* 8/2016 Hsu ..... D6/675.5
- 2008/0203042 A1 \* 8/2008 Felsenthal ..... A47B 47/027  
211/153
- 2010/0181274 A1 \* 7/2010 Vargo ..... A47B 57/50  
211/187
- 2011/0233164 A1 \* 9/2011 Chang ..... A47B 57/14  
211/188

(Continued)

**Related U.S. Application Data**

- (63) Continuation-in-part of application No. 29/525,381, filed on Apr. 29, 2015, now Pat. No. Des. 762,402.
- (51) **LOC (10) Cl.** ..... **06-06**
- (52) **U.S. Cl.**  
USPC ..... **D6/675.2**
- (58) **Field of Classification Search**  
USPC ..... D6/672, 675, 675.1, 675.2, 675.3, 675.4,  
D6/675.5; 211/31.1, 85.26, 85.31, 85.4,  
211/33, 134, 186-191, 194, 181.1  
CPC ..... A47F 45/00; A47F 55/00; A47F 55/02  
See application file for complete search history.

Primary Examiner — Kelley Donnelly

(74) *Attorney, Agent, or Firm* — Raymond Sun

(57) **CLAIM**

The ornamental design for a shoe rack, as shown and described.

**DESCRIPTION**

FIG. 1 is a perspective view of a shoe rack showing my new design;  
FIG. 2 is a front plan view thereof;  
FIG. 3 is a right plan view thereof;  
FIG. 4 is a left plan view thereof;  
FIG. 5 is a top plan view thereof;  
FIG. 6 is a bottom plan view thereof; and,  
FIG. 7 is a rear plan view thereof.

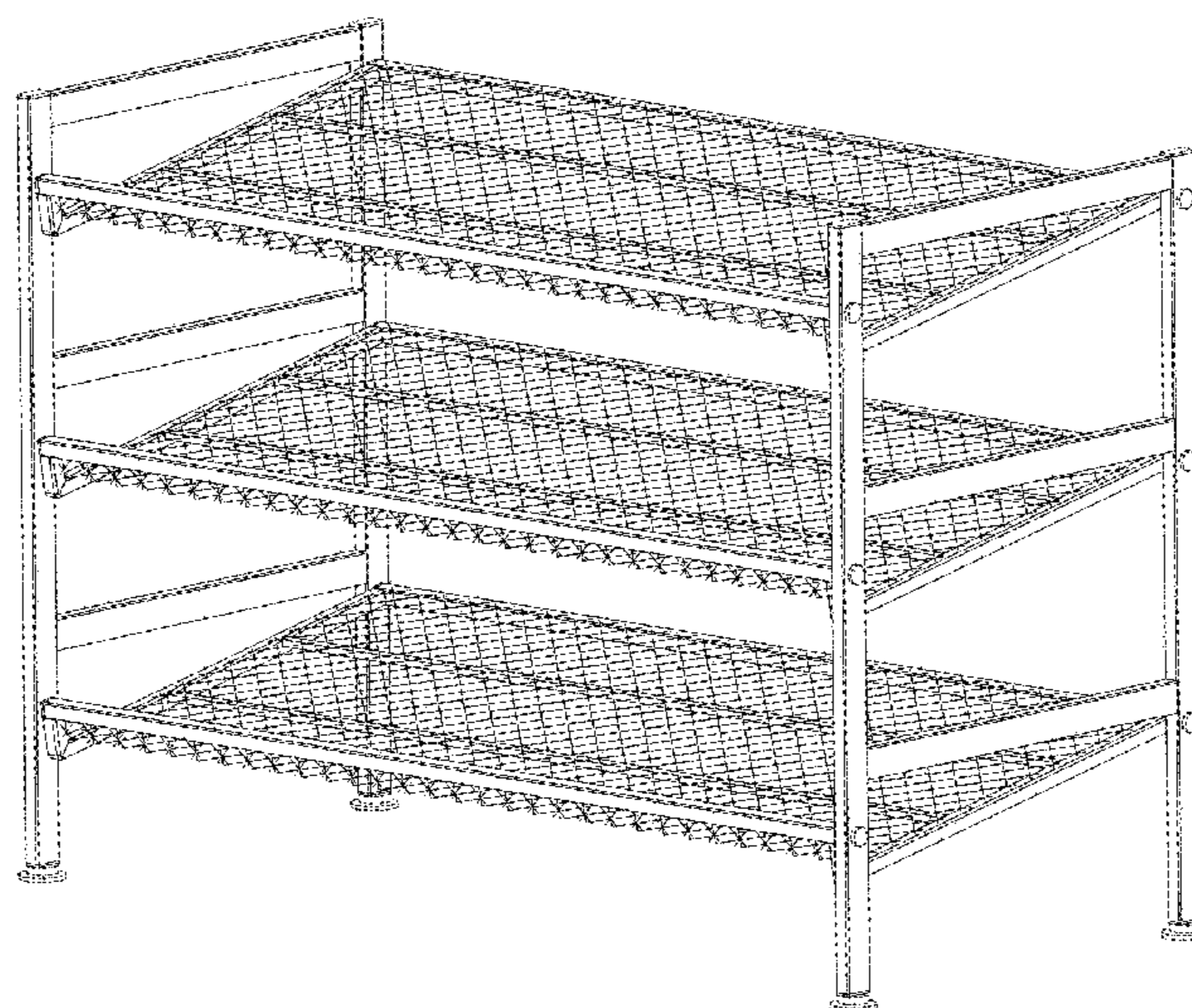
The broken lines are for the purpose of illustrating the environment of the article only and form no part of the claimed design.

(56) **References Cited**

**U.S. PATENT DOCUMENTS**

- 3,252,434 A \* 5/1966 Young, Jr. .... A47F 5/13  
108/181
- D291,165 S \* 8/1987 Ray ..... D6/675.2
- 5,779,070 A \* 7/1998 Dickinson ..... A47B 57/265  
211/181.1
- D424,836 S \* 5/2000 Kopala, Jr. .... D6/675.2

**1 Claim, 7 Drawing Sheets**



(56)

**References Cited**

U.S. PATENT DOCUMENTS

2011/0240571 A1\* 10/2011 Ho ..... A47B 47/021  
211/13.1

\* cited by examiner

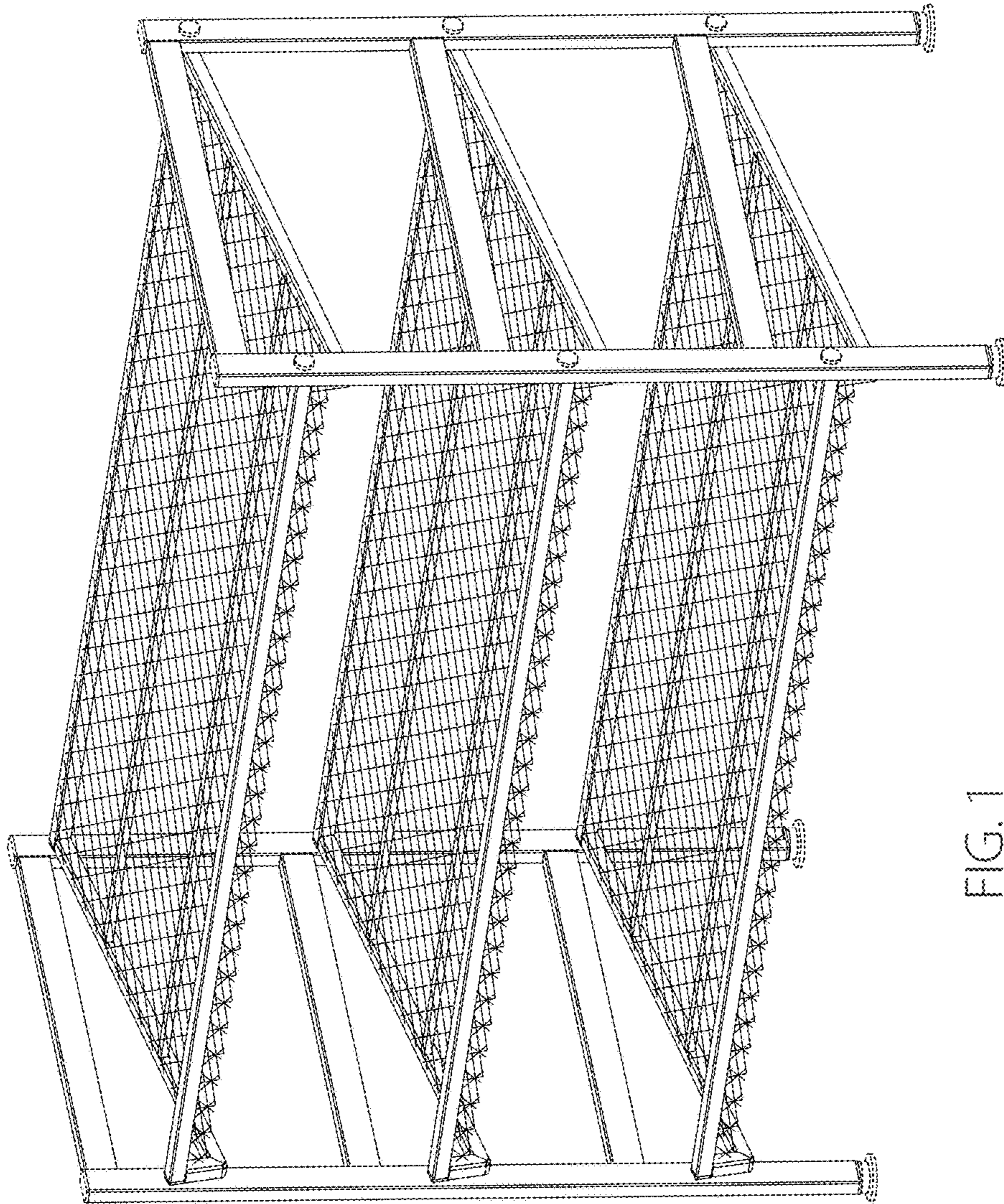


FIG. 1

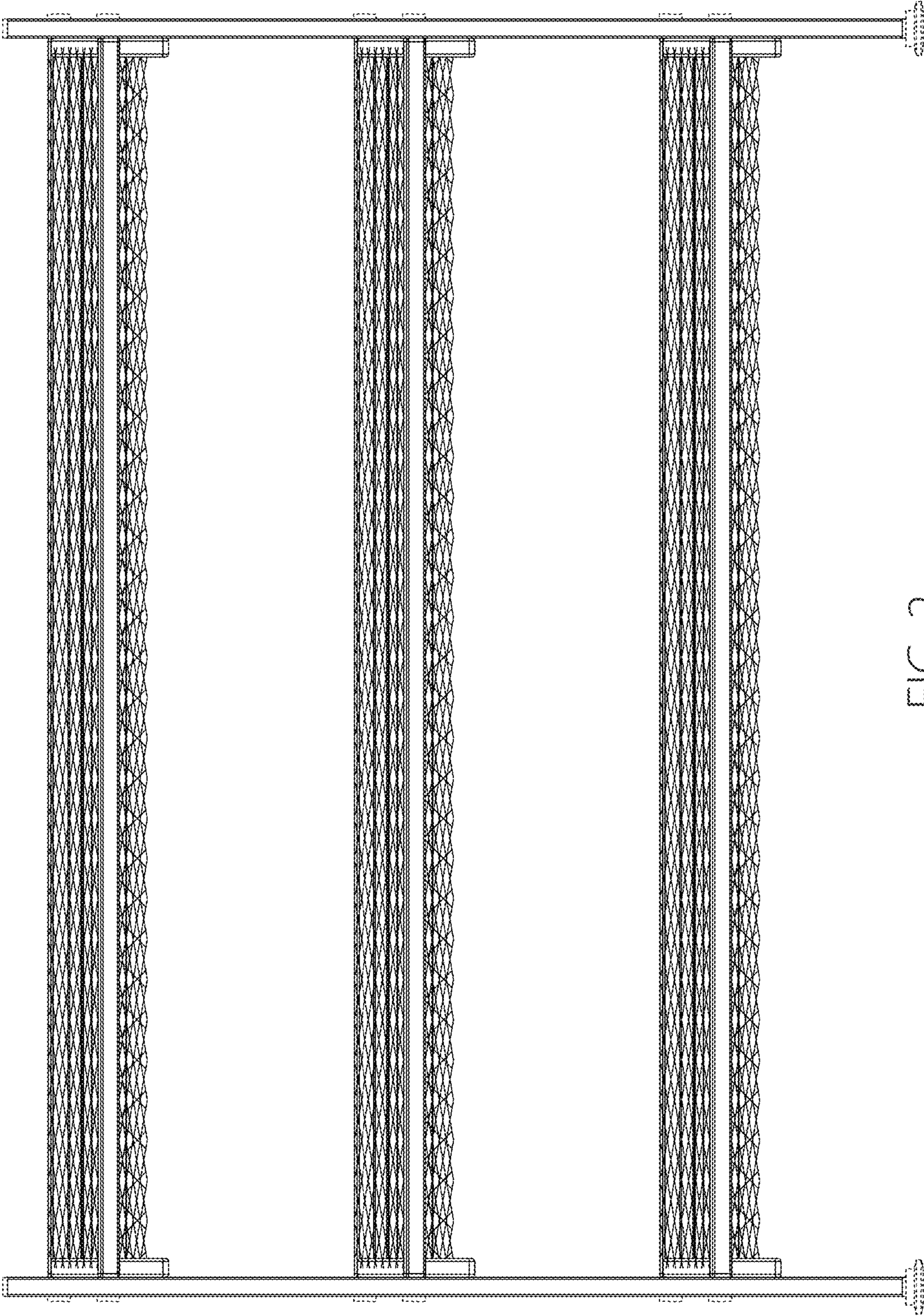


FIG. 2

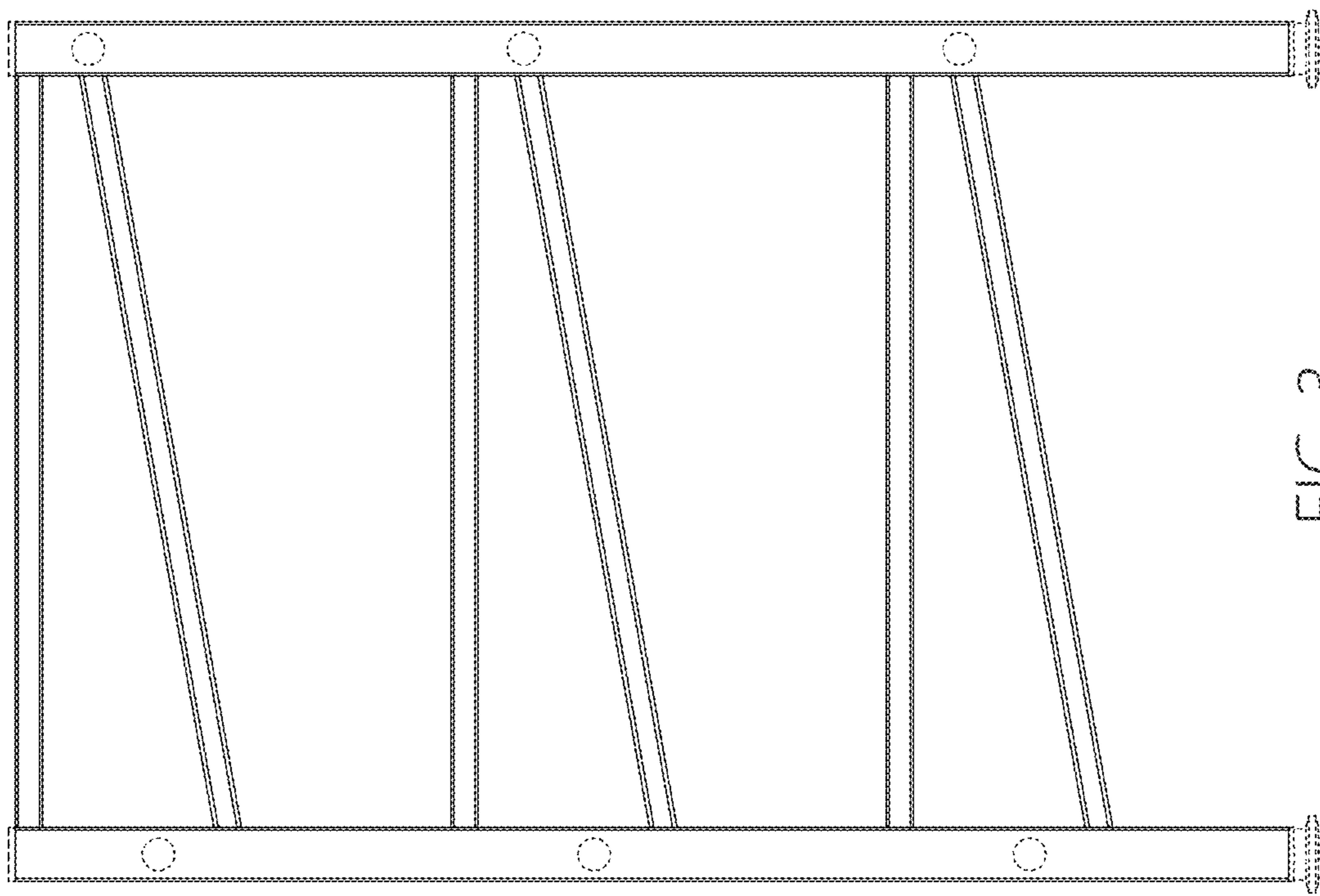


FIG. 3

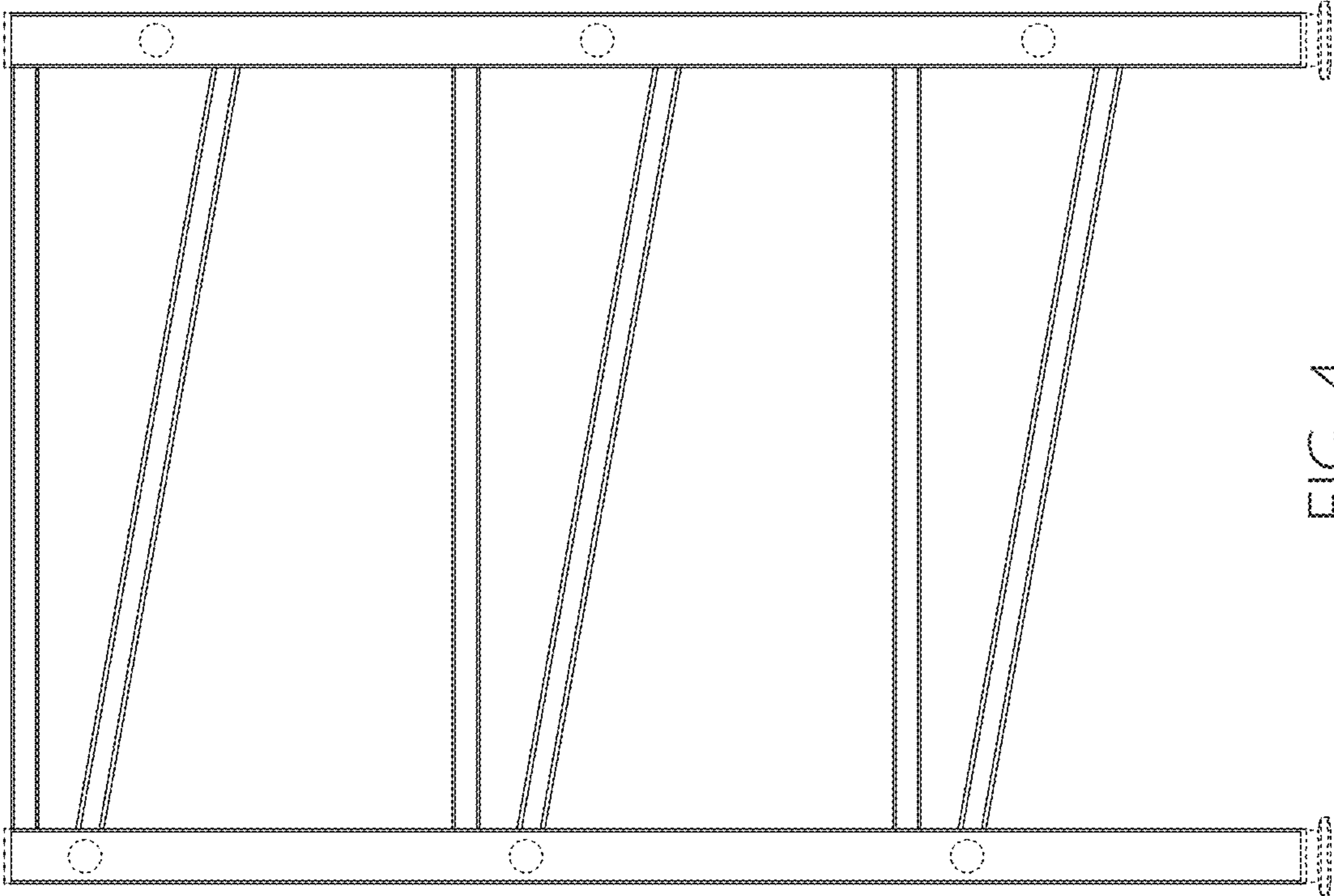


FIG. 4

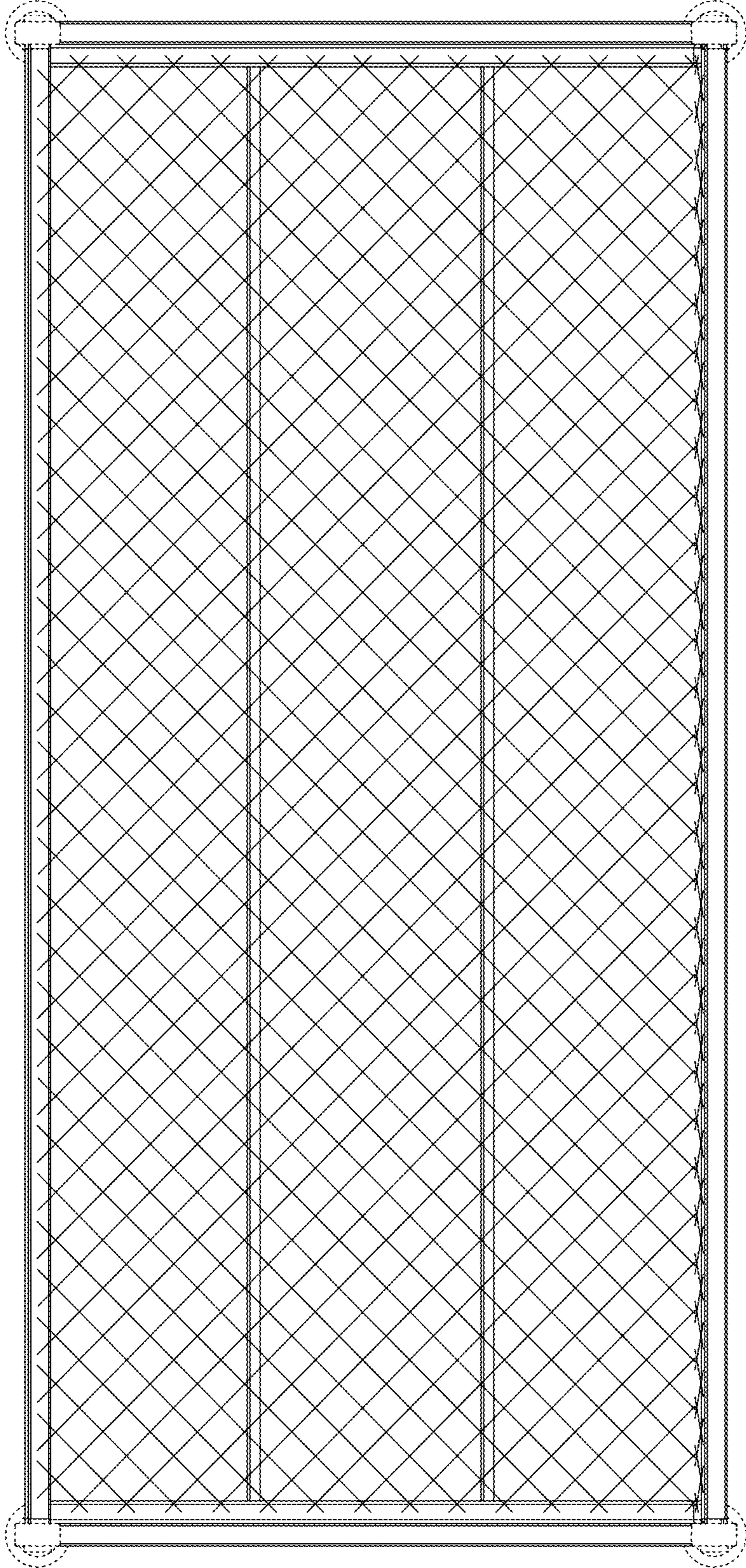


FIG. 5

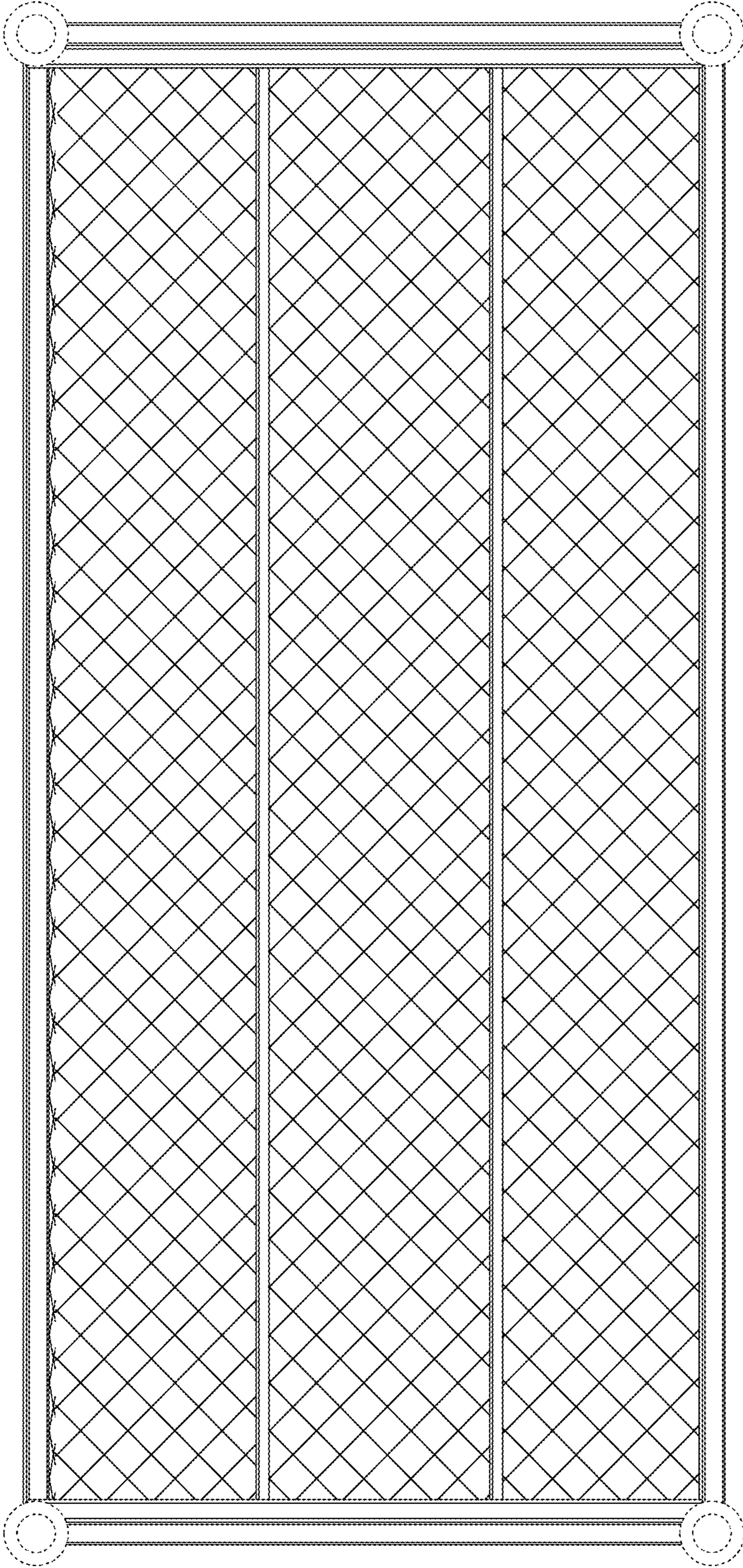


FIG. 6



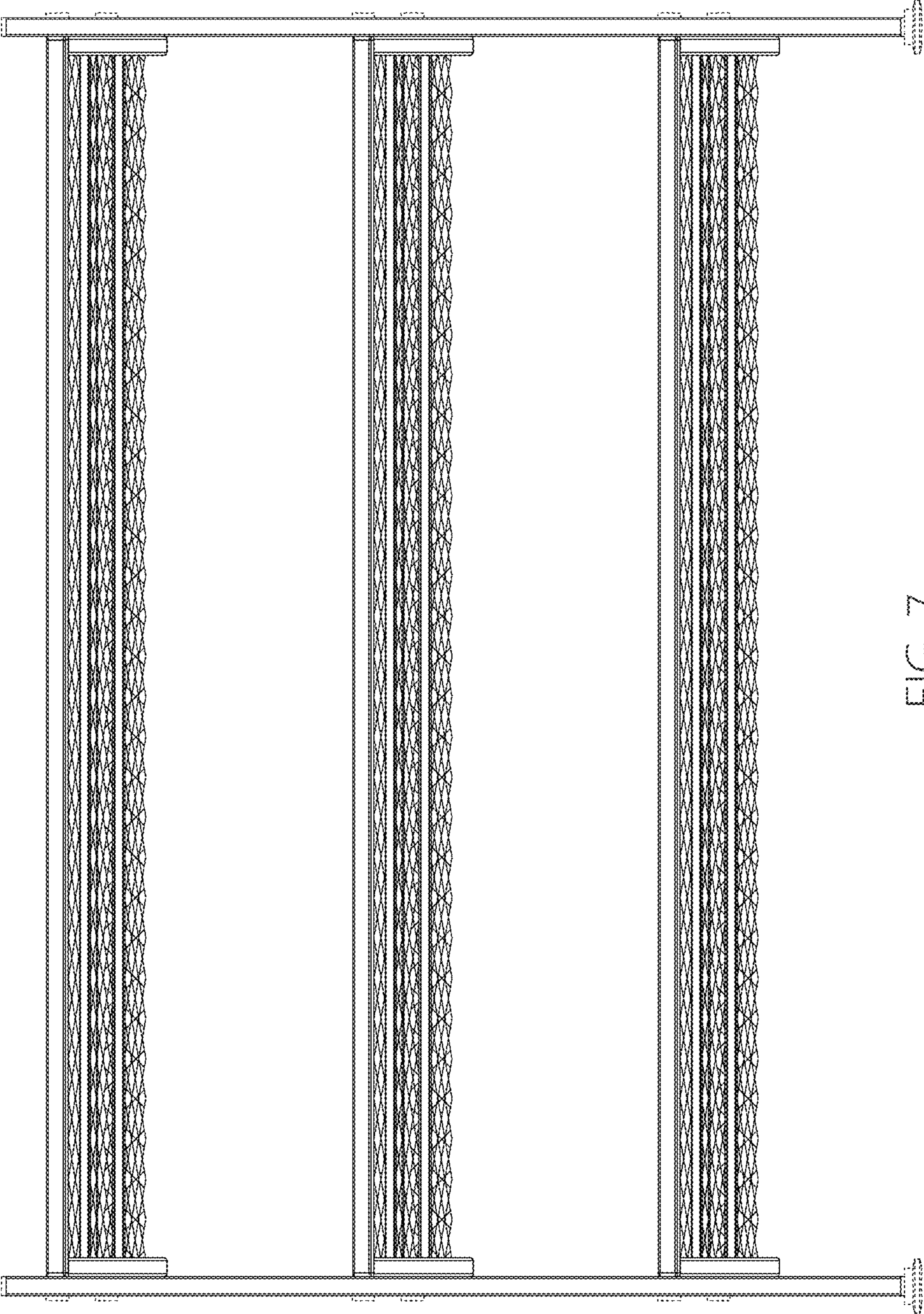


FIG. 7