



US00D787239S

(12) **United States Design Patent** (10) **Patent No.:** **US D787,239 S**
Denby et al. (45) **Date of Patent:** **** May 23, 2017**

(54) **DESK**

(71) Applicant: **TARGET BRANDS, INC.**,
Minneapolis, MN (US)

(72) Inventors: **Scott E. Denby**, Minneapolis, MN
(US); **David J. Meyer**, Golden Valley,
MN (US); **Robert Stoltz**, Edina, MN
(US)

(73) Assignee: **Target Brands, Inc.**, Minneapolis, MN
(US)

(**) Term: **15 Years**

(21) Appl. No.: **29/547,291**

(22) Filed: **Dec. 2, 2015**

(51) **LOC (10) Cl.** **06-03**

(52) **U.S. Cl.**

USPC **D6/657**

(58) **Field of Classification Search**

USPC D6/657, 660-662, 662.1, 671, 671.1,
D6/691.8, 685, 686, 690, 691, 691.5,
D6/691.9, 708, 675, 349, 673, 675.1, 687,
D6/329, 641, 643.1, 644, 648, 648.2, 649,
D6/650, 651.1, 651.2, 652.1, 653, 653.1,

(Continued)

(56) **References Cited**

U.S. PATENT DOCUMENTS

1,915,046 A * 6/1933 Bales A47B 87/002
312/137

D161,959 S * 2/1951 Park D6/642
(Continued)

FOREIGN PATENT DOCUMENTS

DE 2424484 A1 * 12/1974 A47B 17/00
DE 29601461 U1 * 3/1996 A47B 13/083
DE 102006044134 A1 * 3/2008 A47B 77/02

OTHER PUBLICATIONS

Retail Desk, by Lyonbom Furniture Manufacturing Co.,
floordisplaystand.com [online], published 2015, [retrieved on Oct.
14, 2016]. Retrieved from the Internet <URL: <http://www.floordisplaystand.com/sale-3741463-white-oem-mdf-wooden-shop-cash-counter-paint-finished-retail-desk-counter.html>>.*

(Continued)

Primary Examiner — Sheryl Lane

Assistant Examiner — Suzette Murphy

(74) *Attorney, Agent, or Firm* — JoAnn M. Seaton;
Griffiths & Seaton PLLC

(57) **CLAIM**

The ornamental design for a desk, as shown and described.

DESCRIPTION

FIG. 1 is a front perspective view of a desk showing a first
embodiment of our new design;

FIG. 2 is a rear perspective view thereof;

FIG. 3 is a front view thereof;

FIG. 4 is a rear view thereof;

FIG. 5 is a right side view thereof;

FIG. 6 is a left side view thereof; and

FIG. 7 is a top view thereof.

FIG. 8 is a front perspective view of a desk showing a
second embodiment of our new design;

FIG. 9 is a rear perspective view thereof;

FIG. 10 is a front view thereof;

FIG. 11 is a rear view thereof;

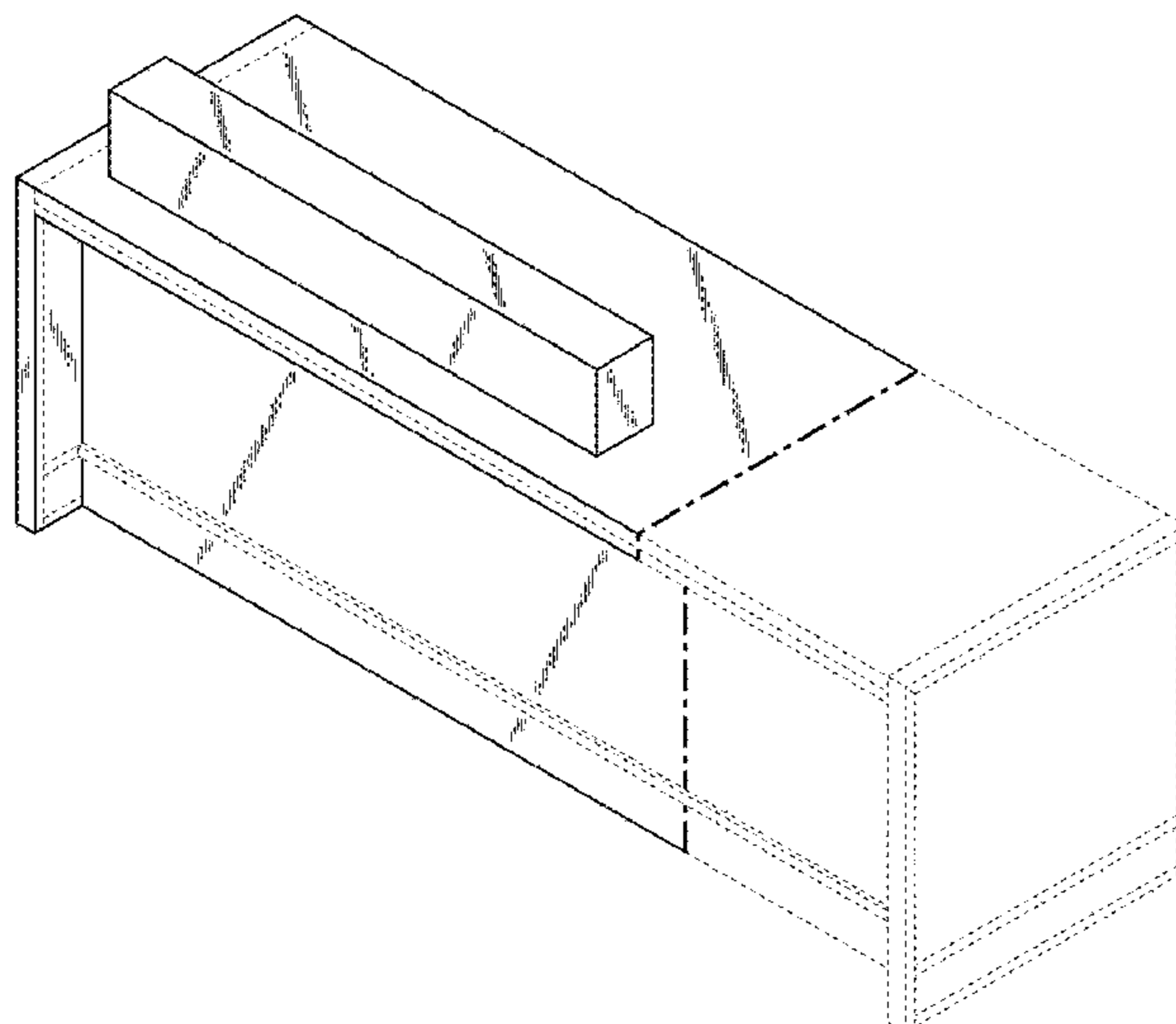
FIG. 12 is a right side view thereof;

FIG. 13 is a left side view thereof; and,

FIG. 14 is a top view thereof.

The features shown in broken lines are portions of the DESK
forming no part of the claimed design. The features shown
in long dash-short dash bolded broken lines indicate the
bounds of the claimed design and otherwise form no part of
the claimed design.

1 Claim, 8 Drawing Sheets



(58) **Field of Classification Search**

USPC D6/653.16, 653.17, 654, 654.1, 654.16,
 D6/654.17, 654.23, 655.16, 655.17,
 D6/655.23, 656, 656.1, 656.19, 672,
 D6/675.3, 698, 699, 705; 248/188, 188.1,
 248/188.8, 188.7; 108/150, 153.1, 156,
 108/157.1, 158.11, 161, 91, 151, 152,
 108/50.01, 50.02, 60, 149; 312/194, 15,
 312/196, 7.2, 9.1, 114, 138.1, 204, 237,
 312/257.1
 CPC A47B 21/00; A47B 17/00; A47B 9/16;
 A47B 3/06; A47B 46/00; A47B 87/002;
 A47B 2200/0002; H02B 1/00; H02B
 1/015; H02B 15/00

See application file for complete search history.

(56) **References Cited**

U.S. PATENT DOCUMENTS

2,596,663 A * 5/1952 Duffy A47B 87/002
 108/185
 3,479,102 A * 11/1969 Yermakov A47B 47/05
 312/107
 D237,851 S * 12/1975 Sklaroff D6/648
 D244,114 S * 4/1977 Neff D6/691.8
 D252,435 S * 7/1979 Sussman D6/661
 D252,660 S * 8/1979 Lerner D6/648
 4,163,592 A * 8/1979 Nelson A47B 17/00
 108/64
 D257,417 S * 10/1980 Lerner D6/643
 D258,184 S * 2/1981 Nelson D6/656.16
 D258,786 S * 4/1981 Verdesca D6/686
 D259,376 S * 6/1981 Verdesca D6/642
 D260,834 S * 9/1981 Platner D6/651
 4,323,291 A * 4/1982 Ball A47B 21/06
 108/150
 D267,688 S * 1/1983 Platner D6/651
 D267,846 S * 2/1983 Platner D6/651
 D270,217 S * 8/1983 Daventry D6/656.16
 D271,642 S * 12/1983 Thompson D6/652
 D275,349 S * 9/1984 Thompson D6/648
 D275,633 S * 9/1984 Thompson D6/651
 4,469,382 A * 9/1984 Slaats E05B 65/0003
 312/194
 D278,583 S * 4/1985 Koguma D6/654.17
 D278,770 S * 5/1985 Koguma D6/648.4
 D278,771 S * 5/1985 Koguma D6/656.1
 D281,746 S * 12/1985 Koguma D6/656
 D283,094 S 3/1986 Strand et al.
 D292,151 S * 10/1987 Becker D6/651
 D293,493 S * 12/1987 Garr D6/406.6
 5,311,826 A * 5/1994 Baggiani A47B 1/056
 108/166
 5,666,887 A * 9/1997 Grabowski A47B 7/00
 108/27
 D396,583 S * 8/1998 Nielsen D6/708
 D405,623 S 2/1999 Zaidman et al.
 D428,279 S 7/2000 Olson
 D433,247 S 11/2000 Pindle, Jr.
 D449,750 S 10/2001 Antonioni
 D452,391 S 12/2001 Efron et al.
 D466,337 S * 12/2002 Feng D6/689
 D471,376 S 3/2003 Cizmar
 D471,733 S 3/2003 Cizmar
 6,712,433 B2 * 3/2004 Hellwig A47B 21/06
 312/196
 D497,059 S * 10/2004 Jans D14/307
 D500,613 S * 1/2005 Savage D6/652
 D508,621 S * 8/2005 Brandon D6/654.1
 D508,804 S * 8/2005 Brandon D6/656.1
 D524,076 S 7/2006 Newhouse et al.
 D524,570 S 7/2006 Newhouse et al.

D527,202 S 8/2006 Newhouse et al.
 7,111,564 B2 * 9/2006 Chang A47B 13/06
 108/155
 D538,068 S 3/2007 Newhouse et al.
 D547,970 S * 8/2007 Chou D6/655.1
 D549,492 S * 8/2007 Sheppard D6/691.8
 D549,991 S * 9/2007 Stravitz D6/661
 D553,879 S * 10/2007 Juneau D6/671
 D567,536 S * 4/2008 Paterson D6/657
 7,390,069 B1 * 6/2008 Ho A47B 17/033
 312/195
 D572,037 S 7/2008 Reyes et al.
 D576,420 S * 9/2008 Grabowski D6/648
 D579,699 S 11/2008 Reyes et al.
 7,469,644 B2 * 12/2008 Tseng A47B 1/04
 108/158.11
 D588,850 S * 3/2009 Goldberg D6/707.15
 D589,280 S * 3/2009 Zambelli D6/675.1
 D591,083 S * 4/2009 Singler D6/672
 D591,090 S * 4/2009 Judkins D6/691.8
 D603,626 S * 11/2009 Weatherly D6/656.16
 D611,734 S 3/2010 Stukenberg et al.
 D611,735 S 3/2010 Stukenberg
 D615,785 S 5/2010 Goldberg
 D635,376 S * 4/2011 Cortivo D6/648
 D647,324 S * 10/2011 Kincaid D6/648
 D676,587 S * 2/2013 Fisher D26/58
 D685,588 S * 7/2013 Stukenberg D6/657
 D687,250 S * 8/2013 Weatherly D6/661
 D693,153 S * 11/2013 Kwok D6/661
 D693,610 S 11/2013 Denby et al.
 D693,612 S * 11/2013 Arko D6/708
 D694,558 S 12/2013 Denby et al.
 D703,465 S * 4/2014 Weatherly D6/656.16
 D704,970 S * 5/2014 Lindblom D6/698
 D734,964 S * 7/2015 Ward D6/656.1
 D736,020 S 8/2015 Martell et al.
 D741,094 S * 10/2015 Martell D6/702
 D743,188 S * 11/2015 Denby D6/643
 D743,191 S * 11/2015 Clark D6/675
 D758,773 S * 6/2016 Kim D6/672
 D761,029 S * 7/2016 Behar D6/336
 D765,450 S * 9/2016 Biddle D6/691
 D766,625 S * 9/2016 Johnson D6/675.3
 2007/0169673 A1 * 7/2007 Tseng A47B 1/04
 108/65
 2009/0127986 A1 * 5/2009 Carelsen A47B 21/0073
 312/204

OTHER PUBLICATIONS

Ikea Desk, by Ikea, Ikea.com [online], saved Apr. 20, 2012 as found by waybackmachine.com [retrieved on Oct. 29, 2016] URL<
<https://web.archive.org/web/20120420164157/http://www.ikea.com/us/en/catalog/products/70214192> >.*
 “Bestar Prestige+ Commercial Grade U-shape Hutch and Desk,” printed from www.overstock.com/Office-Supplies/Bestar-Prestige-Commercial-Grade-U-shape-Hutch-And-Desk/5224307/product.html, publicly available at least as early as Mar. 12, 2011 (6 pages).
 “Bestar Embassy L-Shaped Computer Desk with Filing,” printed from www.hayneedle.com/product/bestarembassyshapedcomputerdeskwithfiling.cfm, publicly available at least as early as Oct. 31, 2013, per http://web.archive.org (3 pages).
 U.S. Appl. No. 29/506,372, filed Oct. 15, 2014 (4 pages).
 “Bush Business Furniture Components Collection 66" Wide Desk Shell, 29 7/8"H × 66"W × 29 3/8"D, Hansen Cherry, Standard Delivery Service,” printed from www.officedepot.com/a/products/203576/Bush-Business-Furniture-Components-Collection-66/, publicly available at least as early as Feb. 15, 2015, per http://web.archive.org (1 page).

* cited by examiner

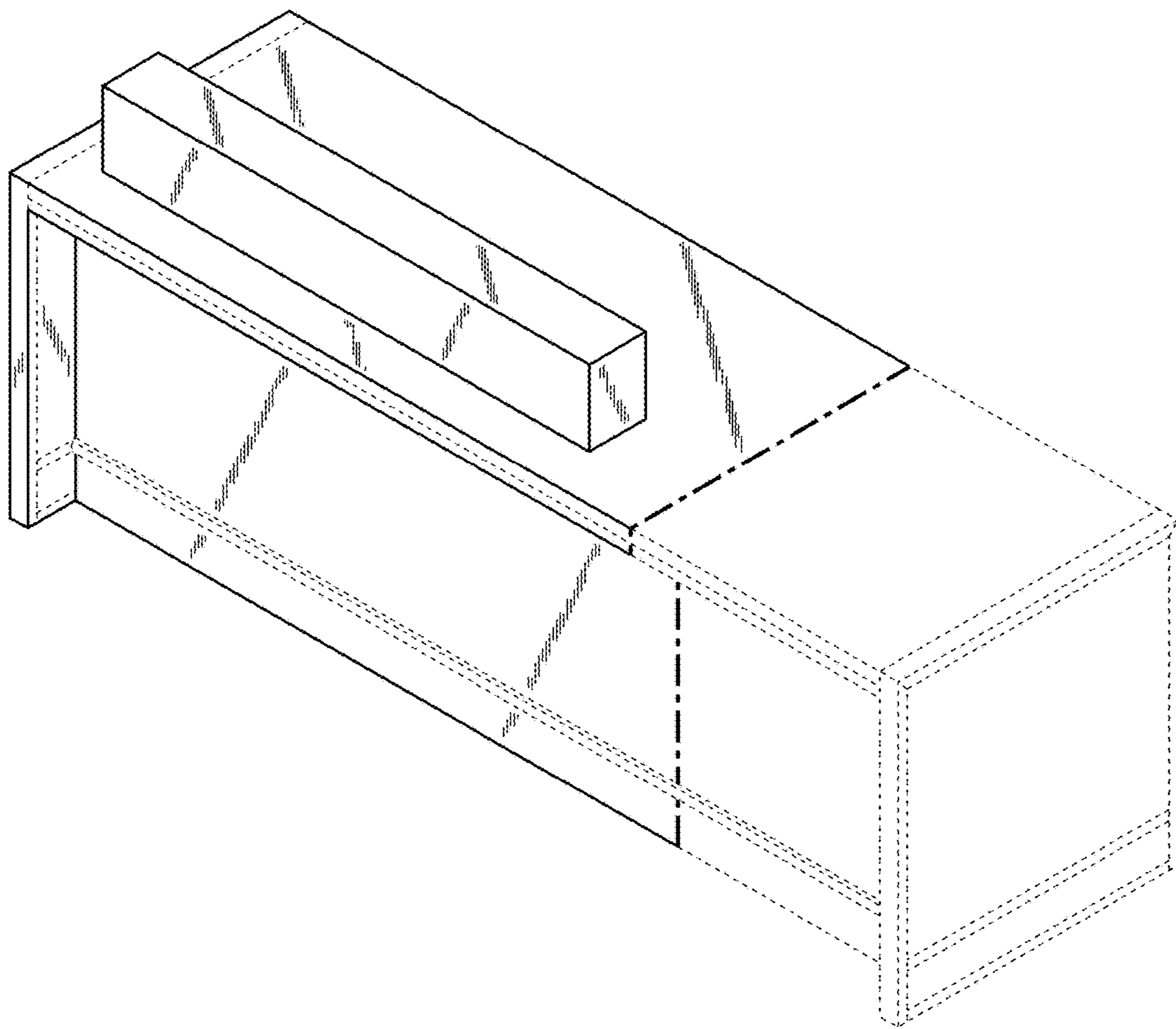


FIG. 1

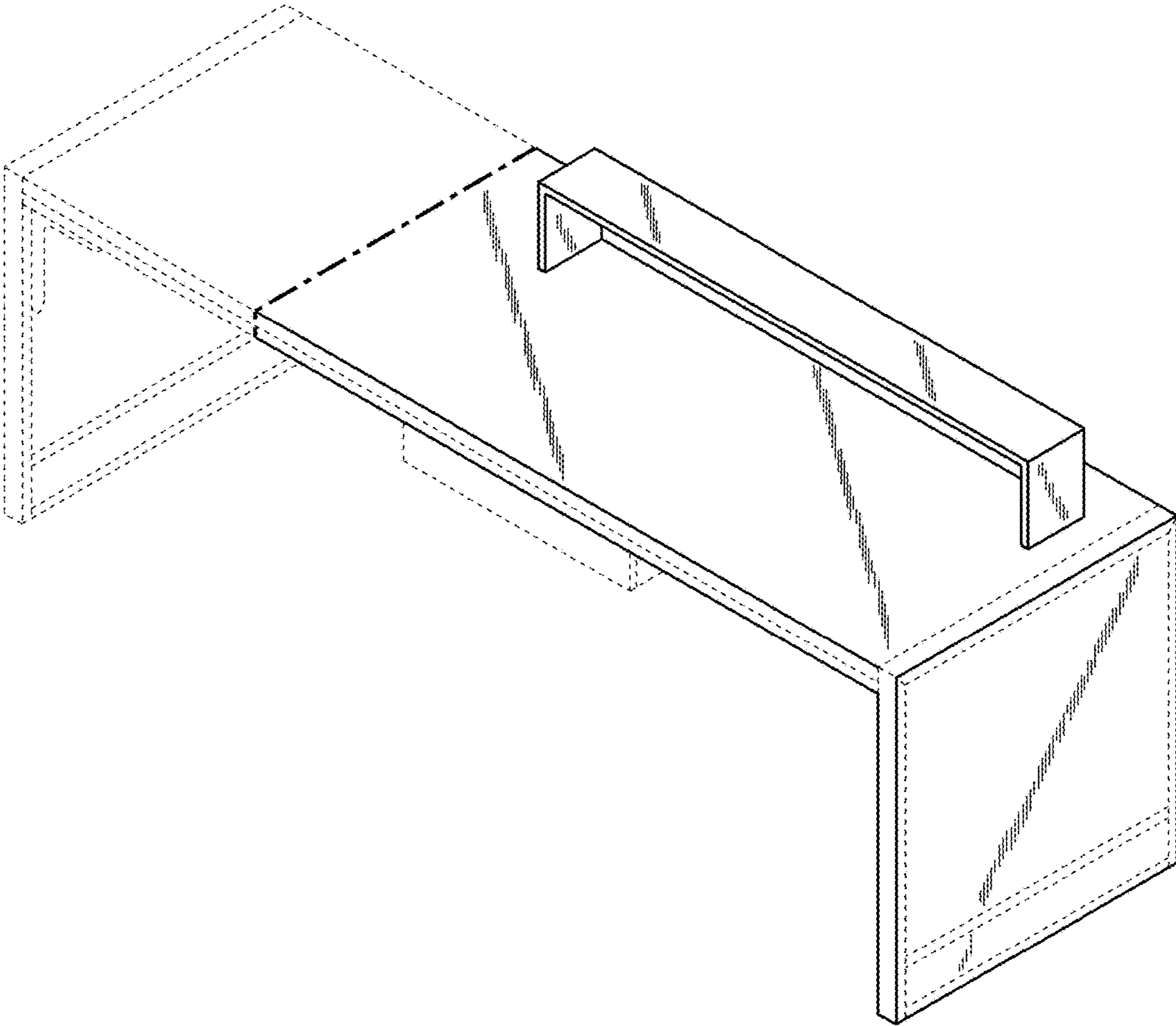


FIG. 2

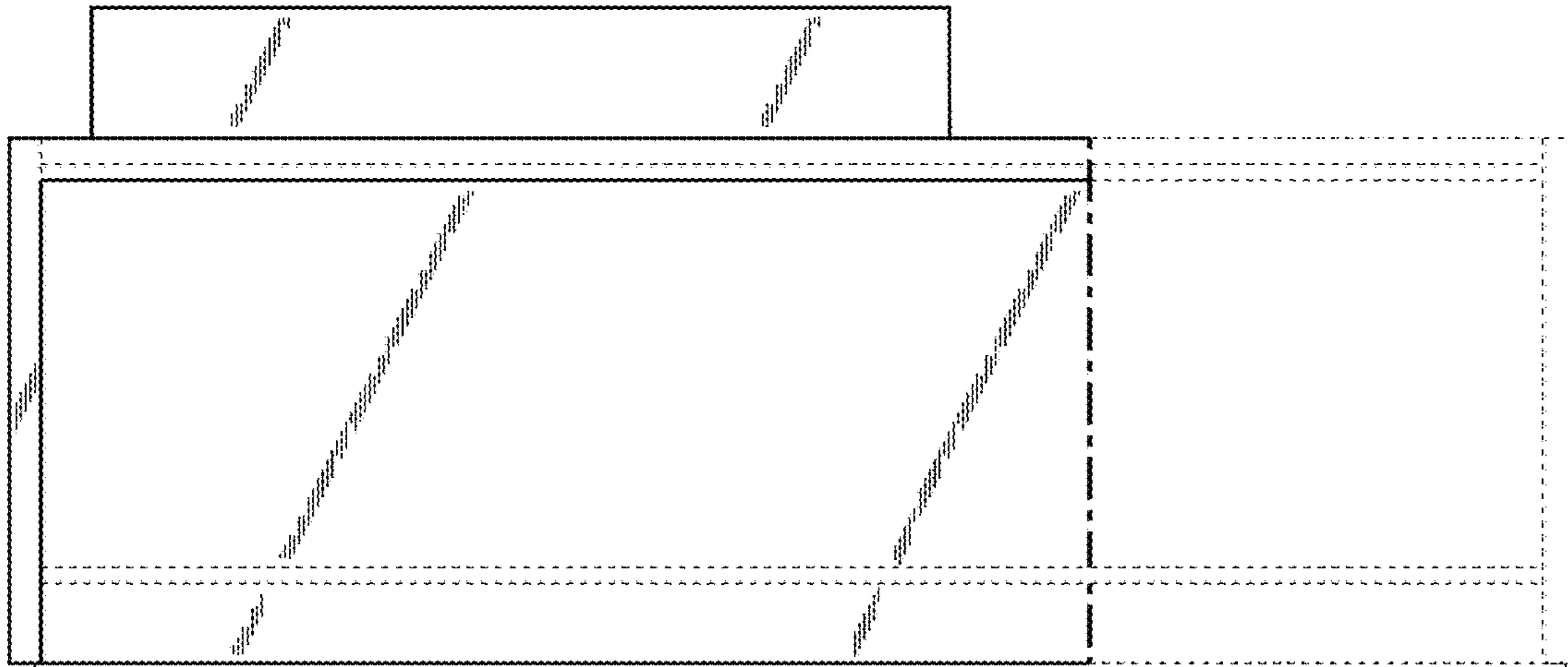


FIG. 3

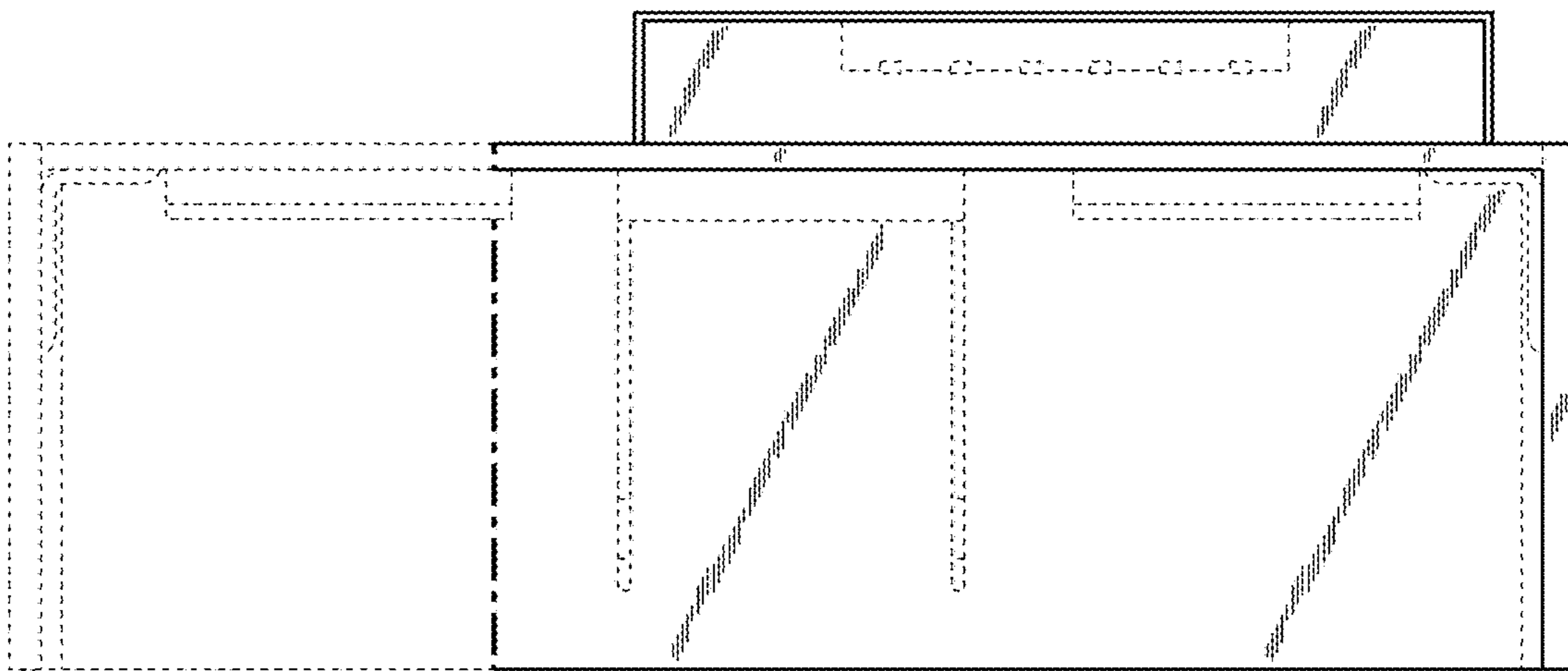


FIG. 4

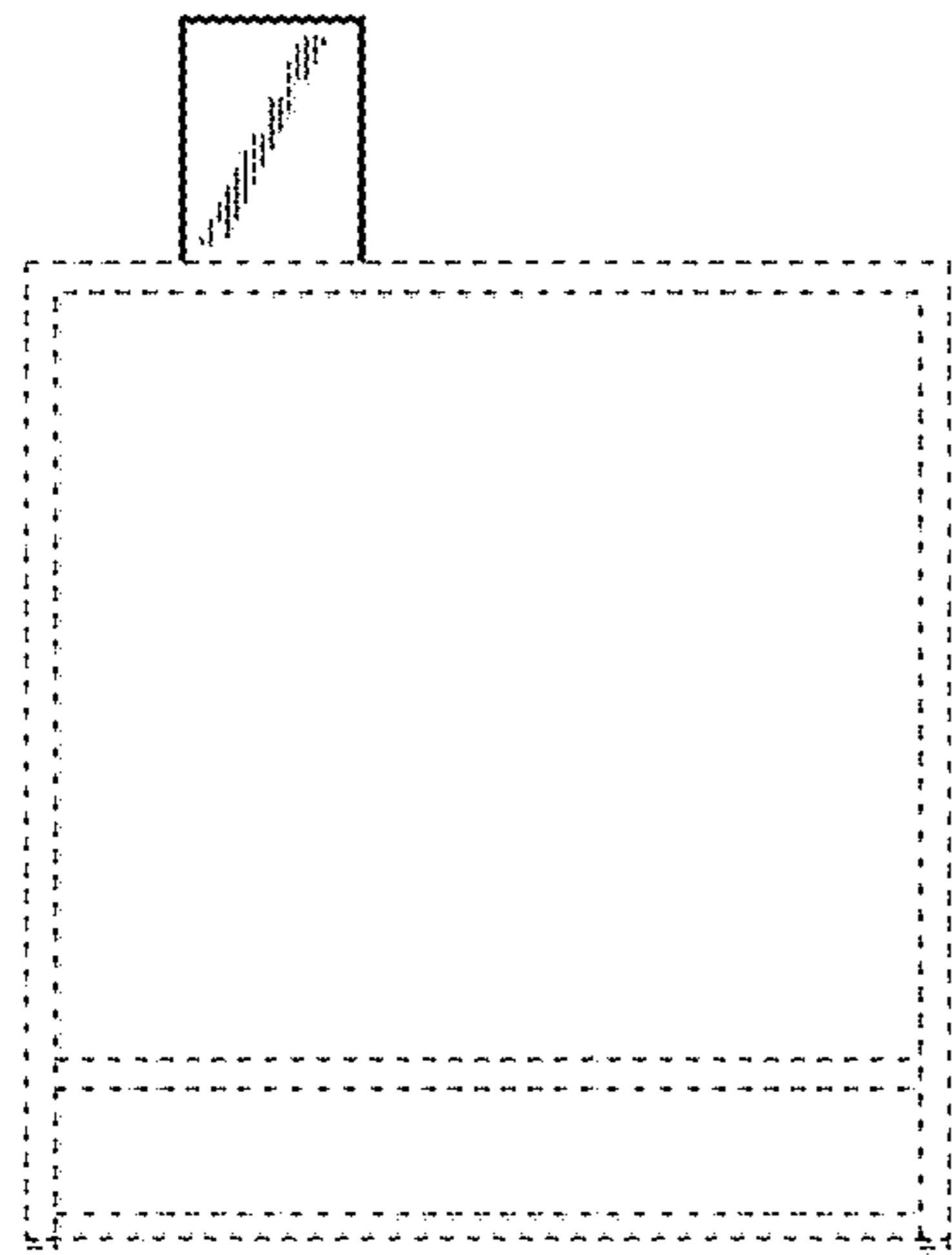


FIG. 5

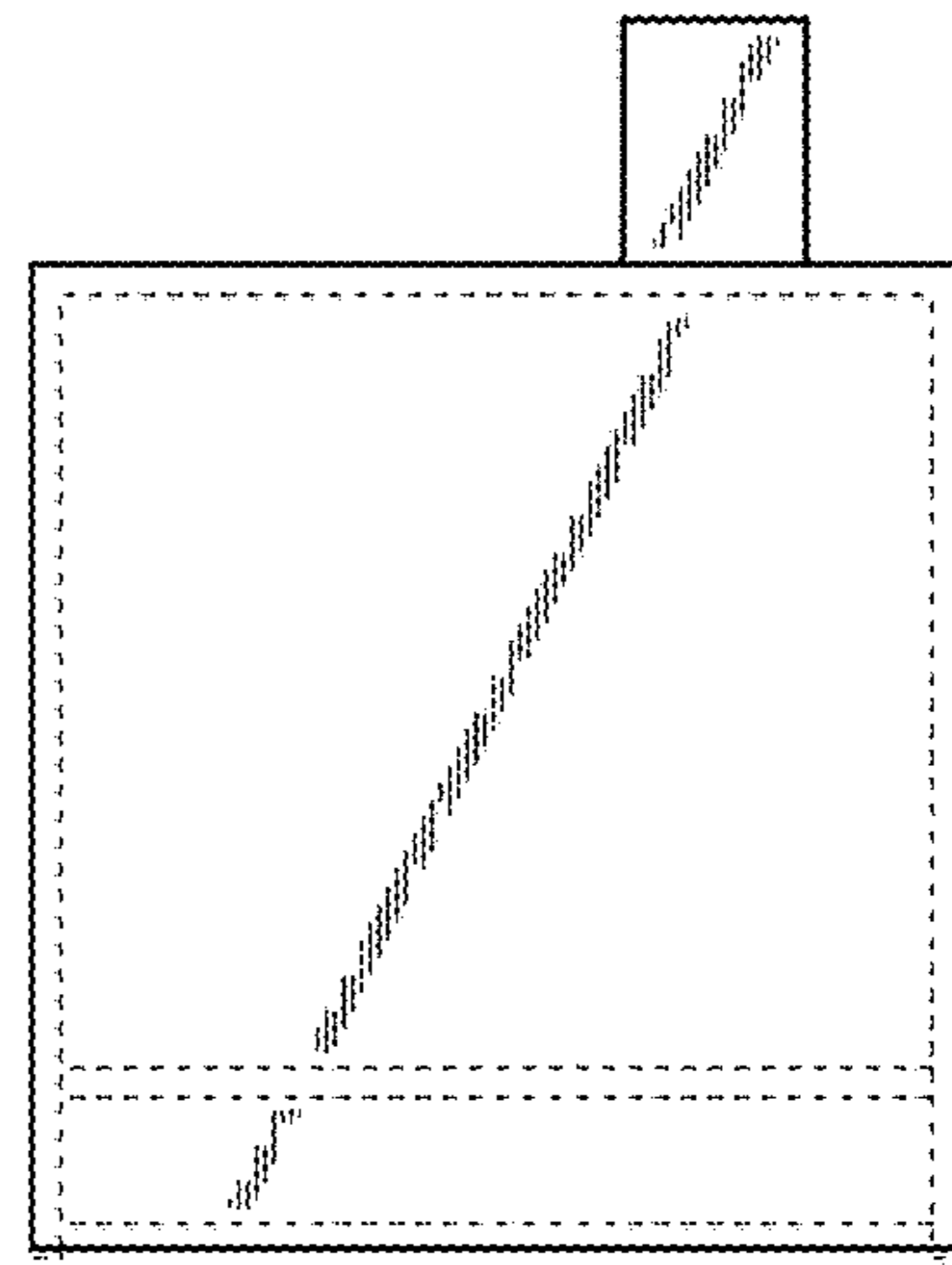


FIG. 6

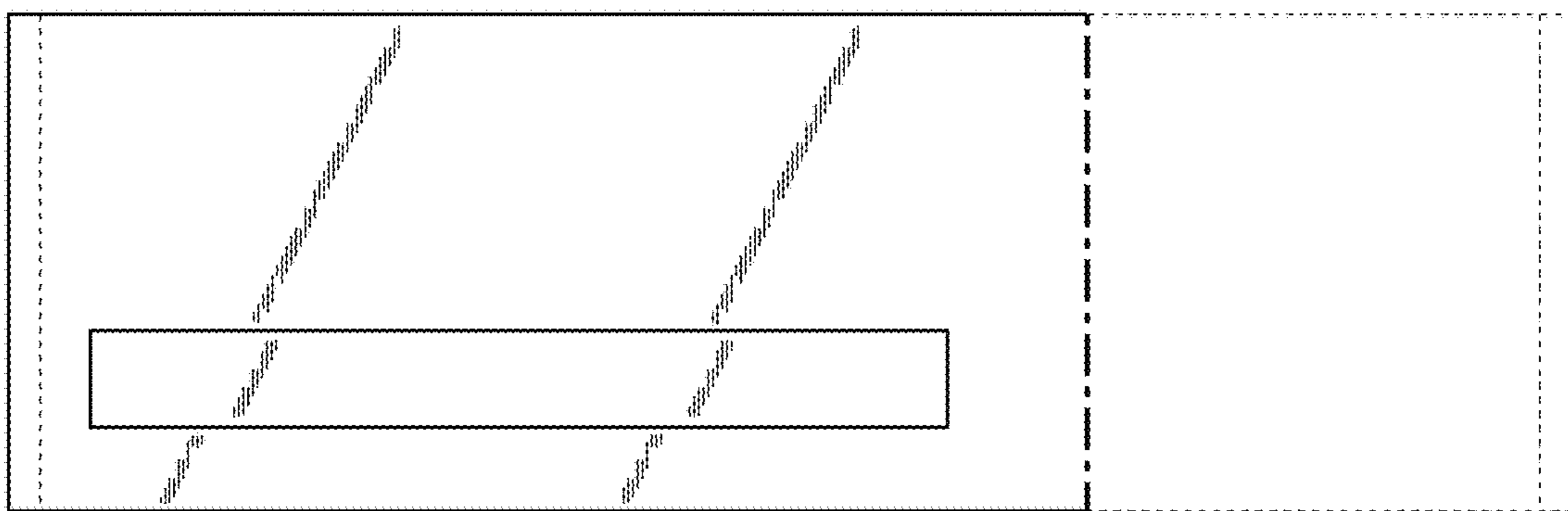


FIG. 7

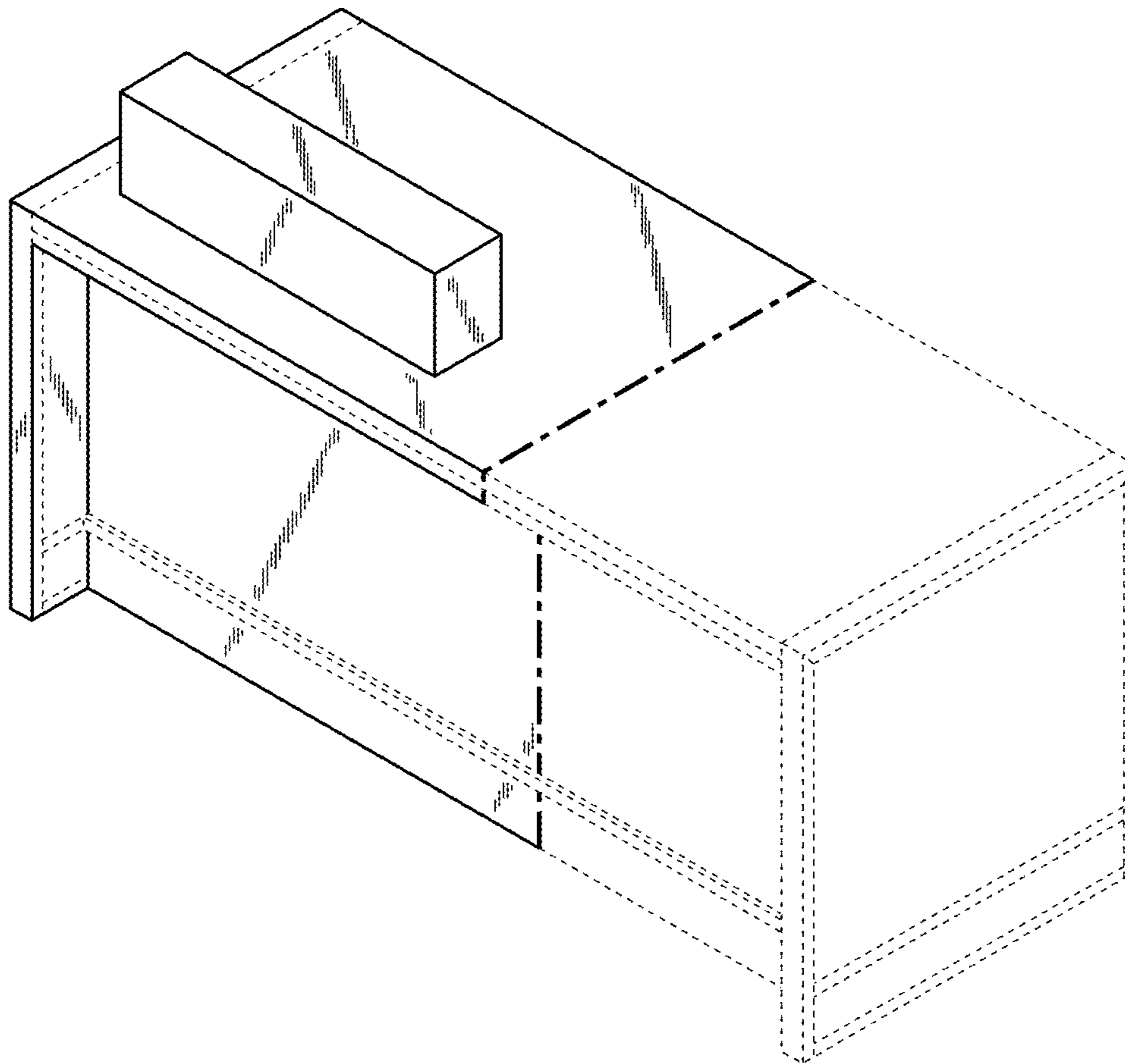


FIG. 8

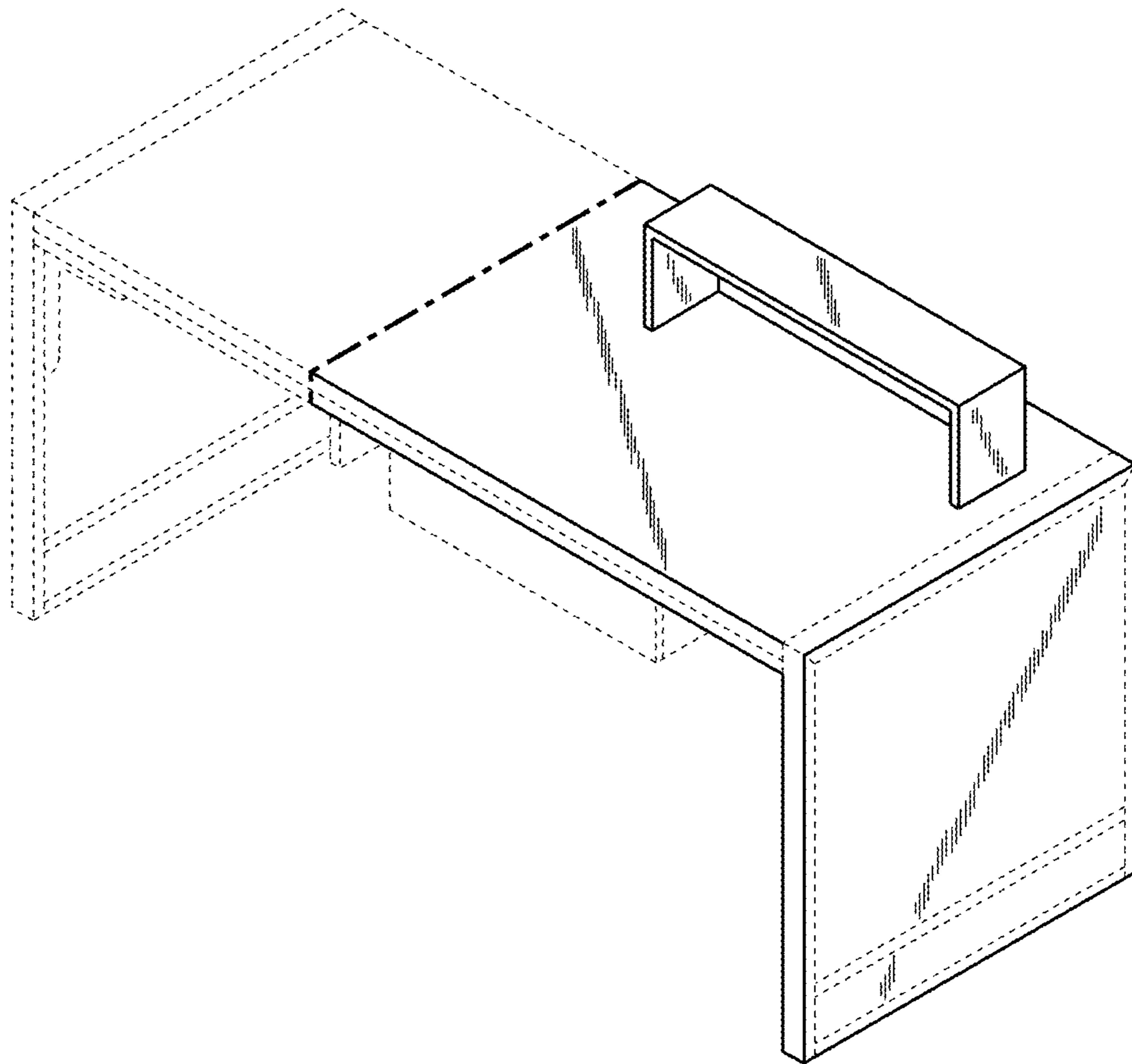


FIG. 9

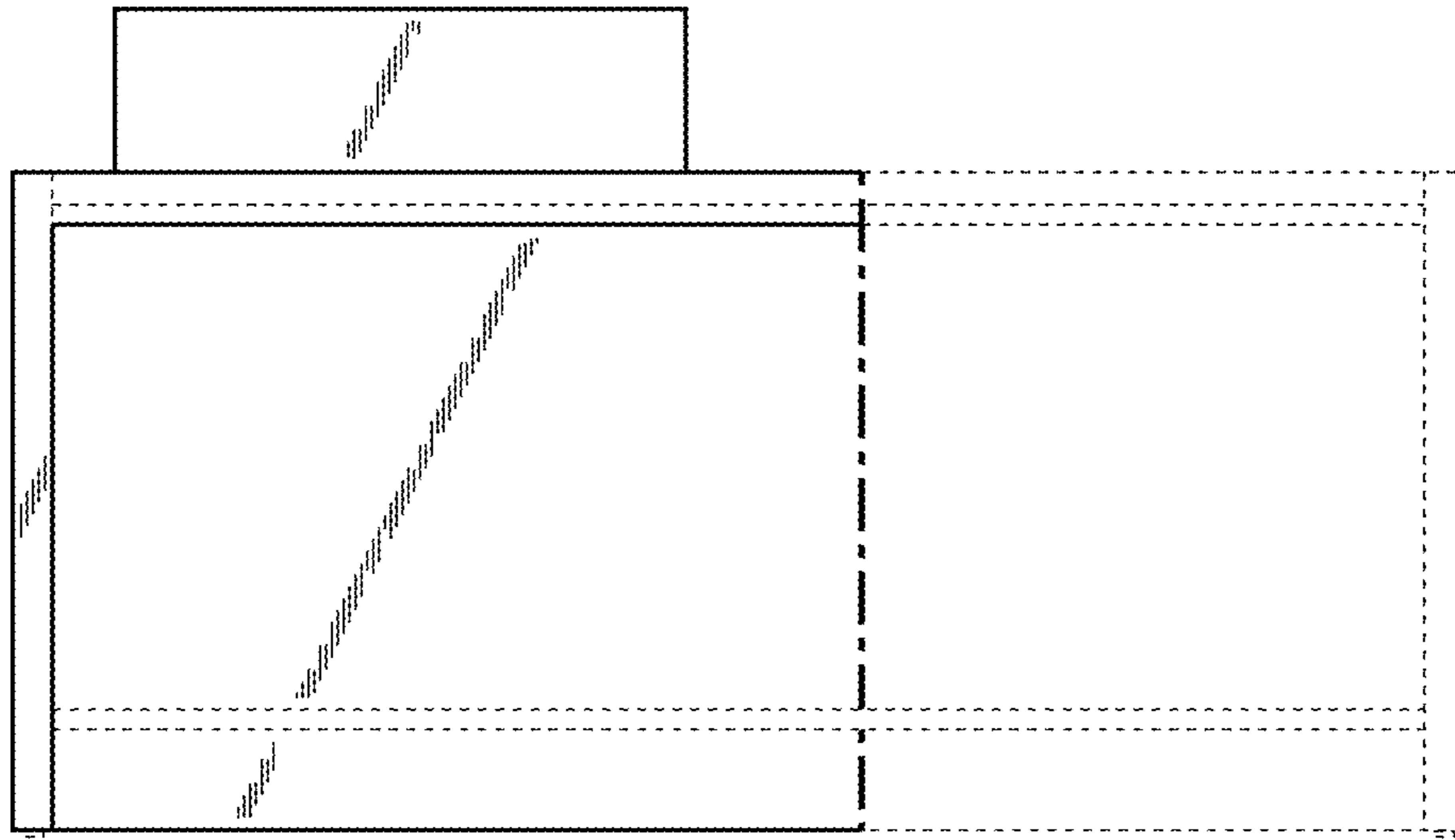


FIG. 10

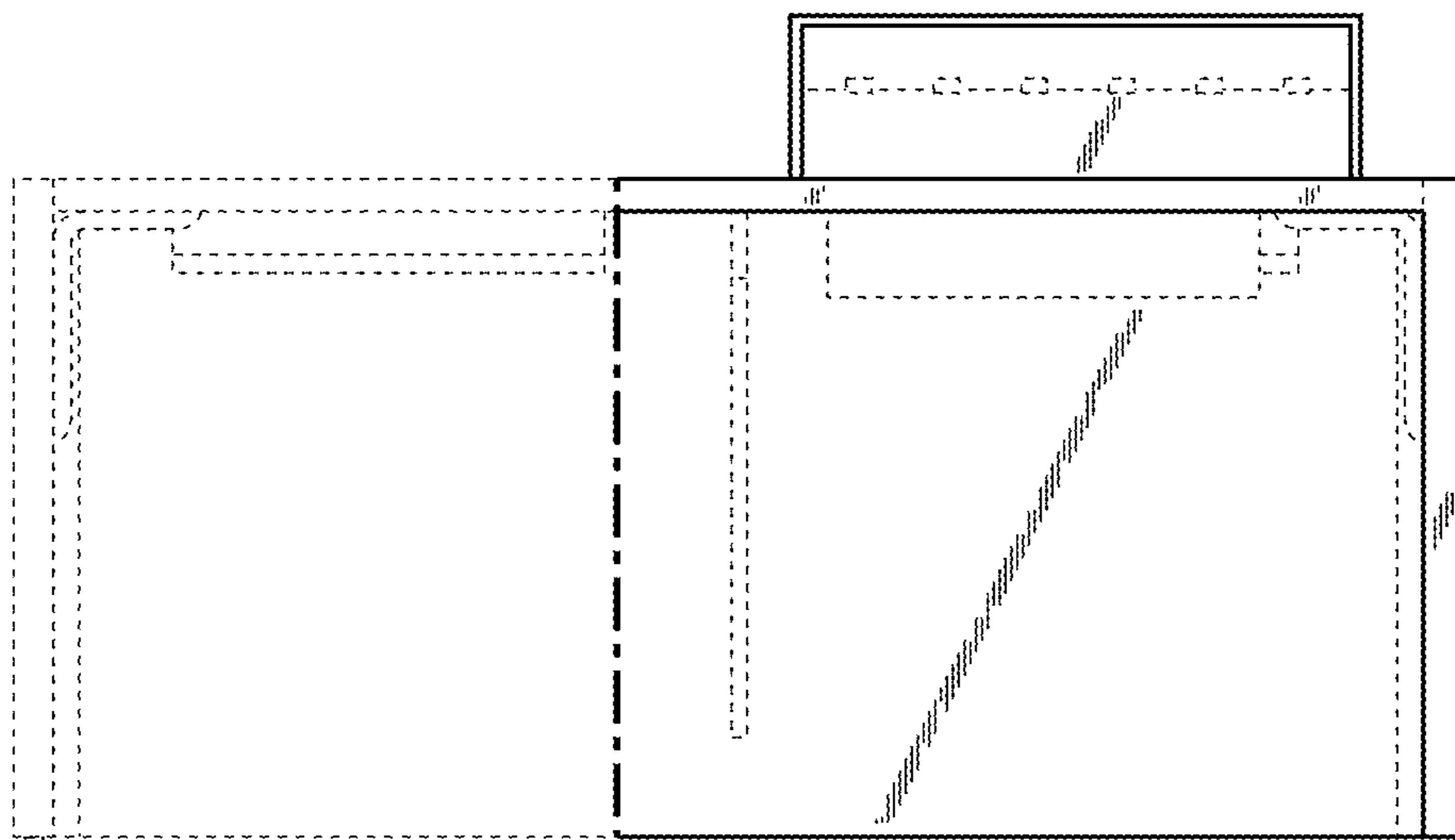


FIG. 11

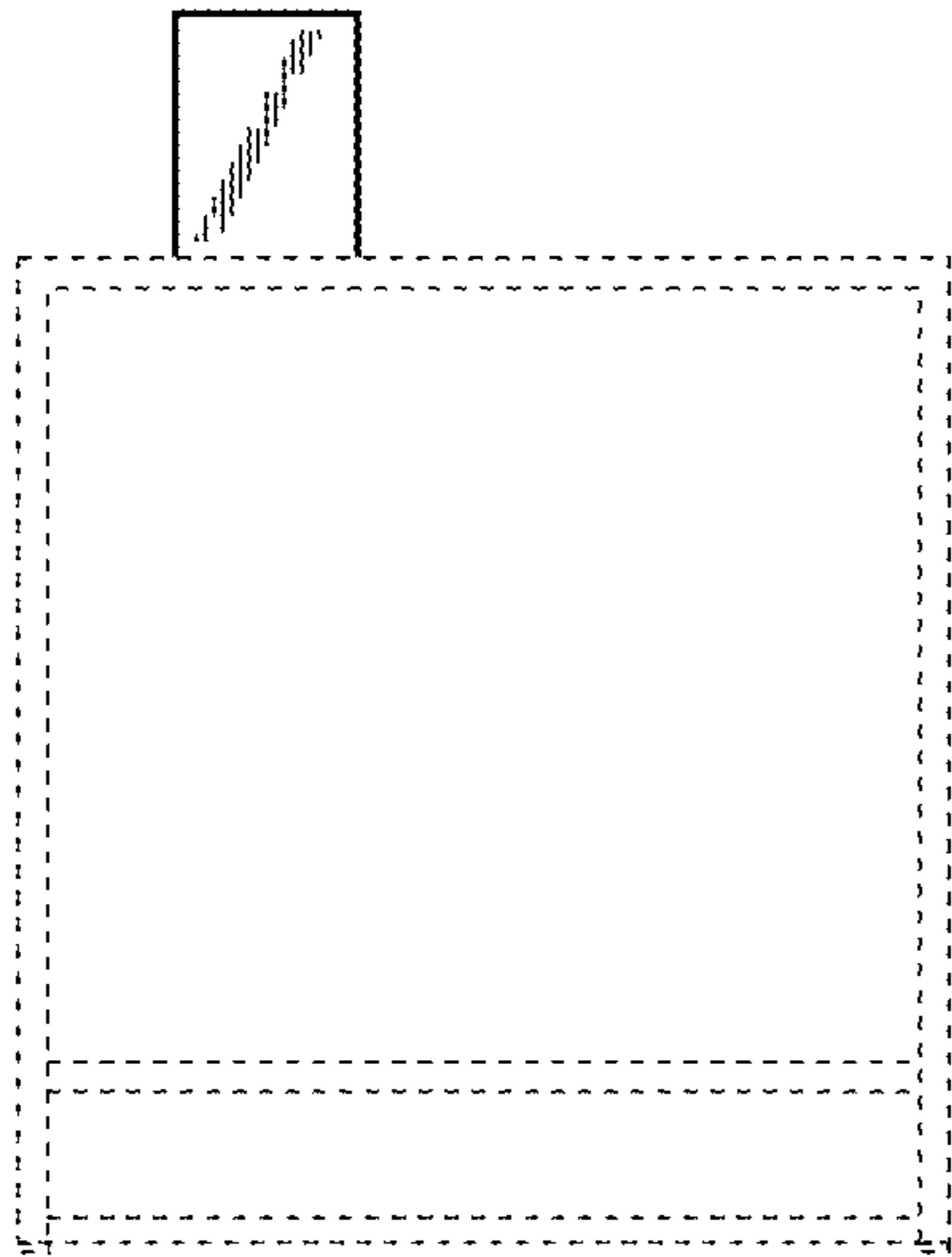


FIG. 12

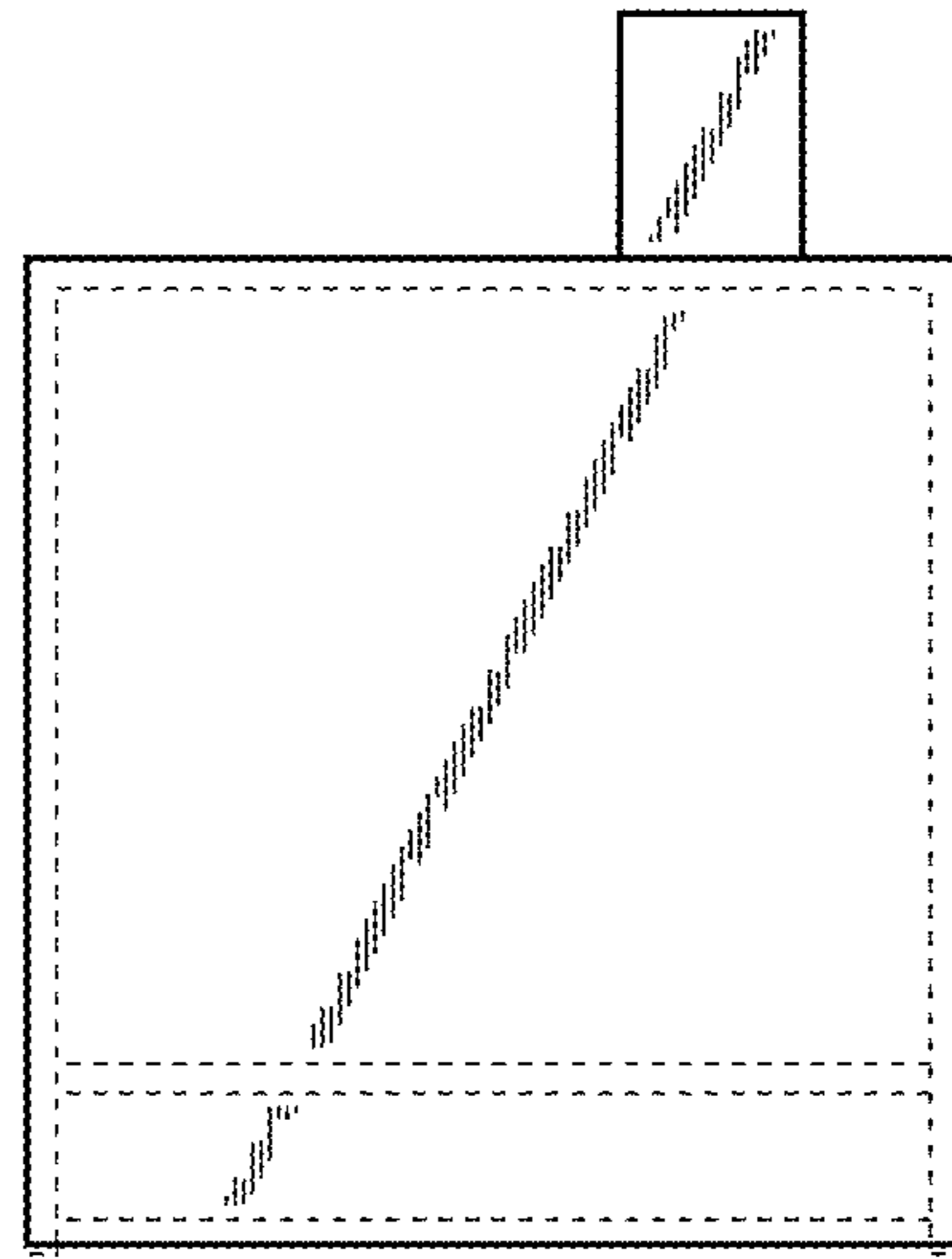


FIG. 13

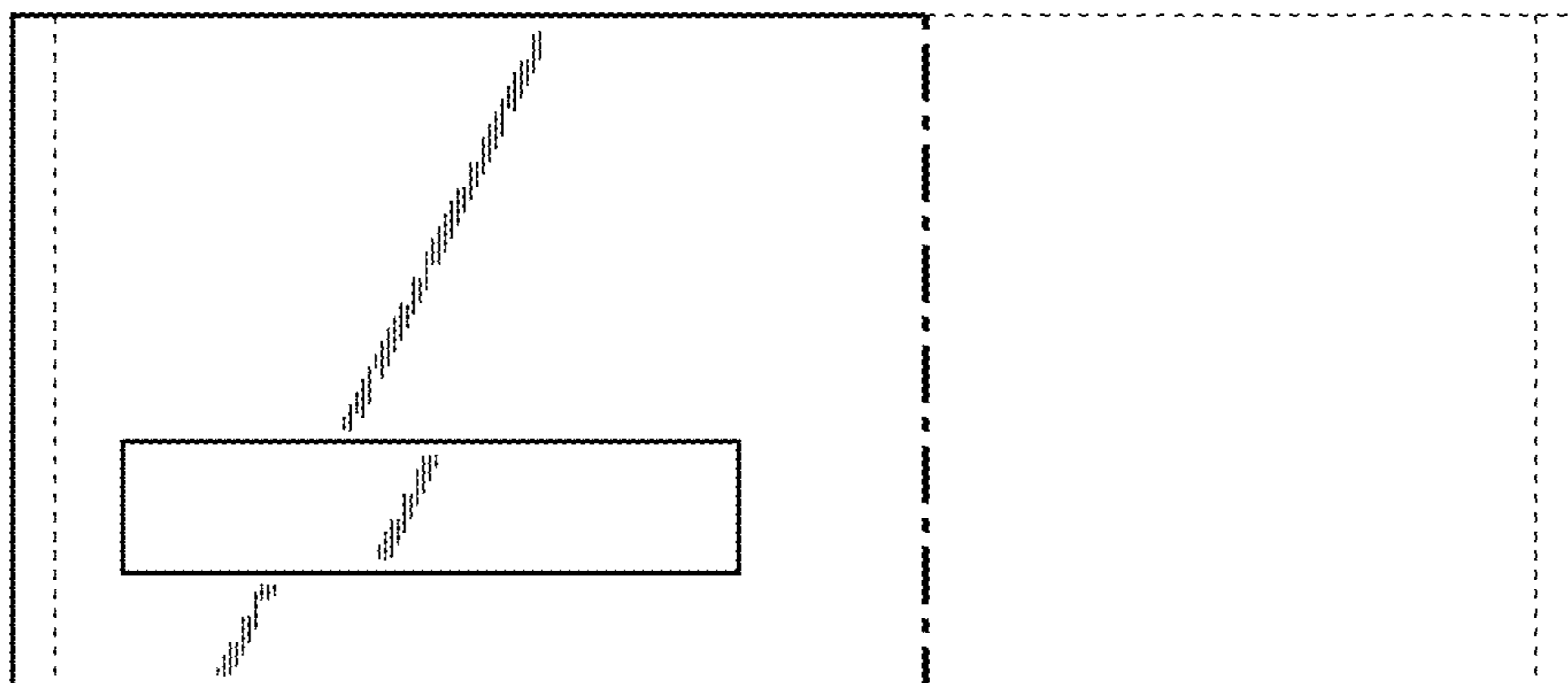


FIG. 14