



US00D787237S

(12) **United States Design Patent** (10) **Patent No.:** **US D787,237 S**
Bowman et al. (45) **Date of Patent:** **** May 23, 2017**

- (54) **SIT-STAND WORKSTATION**
- (71) Applicant: **Innovative Office Products, LLC**,
Easton, PA (US)
- (72) Inventors: **Stephen J. Bowman**, Saylorsburg, PA (US); **Michael P. Smith**, Allentown, PA (US); **Peter J. Carrasquillo**, Columbia, PA (US); **Joseph J. Tosolt**, Danielsville, PA (US)
- (73) Assignee: **Innovative Office Products, LLC**,
Easton, PA (US)
- (**) Term: **15 Years**
- (21) Appl. No.: **29/552,135**
- (22) Filed: **Jan. 20, 2016**
- (51) **LOC (10) Cl.** **06-03**
- (52) **U.S. Cl.**
USPC **D6/656.15**
- (58) **Field of Classification Search**
USPC D6/641, 656, 698, 656.15; D24/234
CPC A47B 3/00; A47B 9/20; A47B 9/00; A47B 21/00; A47B 21/02; A47B 21/04; A47B 17/02; A47B 2021/0321; A47B 2023/049; A47B 21/0314; A47B 2200/0076; A47B 2200/0085; A47B 23/04
See application file for complete search history.

- (56) **References Cited**
- U.S. PATENT DOCUMENTS
- D691,840 S * 10/2013 Copeland D6/656.15
D694,044 S * 11/2013 Copeland D6/656.15
D739,538 S * 9/2015 Bernal D24/185
D743,718 S * 11/2015 Tempas D6/655
D757,189 S * 5/2016 Colburn D21/665
D769,881 S * 10/2016 Lazzi D14/452
9,504,316 B1 * 11/2016 Streicher A47B 21/02
2010/0303603 A1 * 12/2010 Galante A47B 97/00
414/811

- 2012/0119040 A1* 5/2012 Ergun A47B 21/02
248/126
2013/0284077 A1* 10/2013 Copeland A47B 3/00
108/117
2013/0307237 A1* 11/2013 Chen A61G 12/001
280/35
2015/0159804 A1* 6/2015 Bowman F16M 11/045
248/122.1

(Continued)

OTHER PUBLICATIONS

Ergotech Group, LLC., [online] One Touch Sit-Stand Systems, [retrieved on Jan. 14, 2016] [retrieved from the Internet] <URL:http://ergotechgroup.com/one-touch-sit-stand.html>.

(Continued)

Primary Examiner — Rosemary K Tarcza
Assistant Examiner — Alison Ofstun
(74) *Attorney, Agent, or Firm* — Design IP

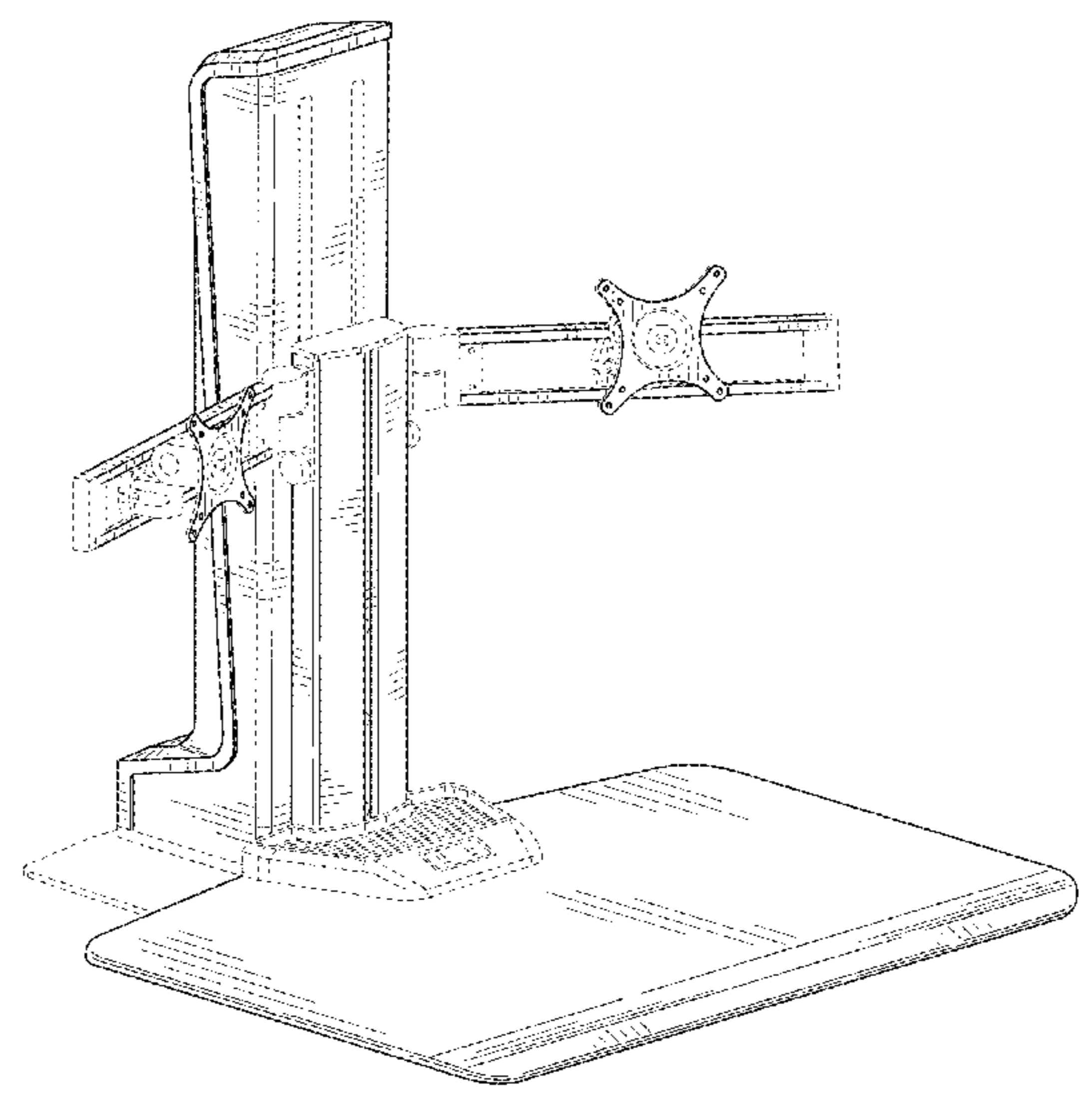
(57) **CLAIM**

The ornamental design for a sit-stand workstation, as shown and described.

DESCRIPTION

FIG. 1 is a perspective view of a sit-stand workstation showing our new design;
FIG. 2 is a front elevation view thereof;
FIG. 3 is a rear elevation view thereof;
FIG. 4 is a left side elevation view thereof;
FIG. 5 is a right side elevation view thereof;
FIG. 6 is a top plan view thereof; and,
FIG. 7 is a perspective view thereof, shown in an alternate position.
The dashed broken lines shown in FIGS. 1-7 illustrate unclaimed portions of the sit-stand workstation. The bottom view is omitted and forms no part of the claimed design.

1 Claim, 7 Drawing Sheets



(56)

References Cited

U.S. PATENT DOCUMENTS

2016/0073779 A1* 3/2016 Ringlein A47B 87/002
108/28
2016/0095426 A1* 4/2016 Tempas A47B 9/20
108/147
2016/0305600 A1* 10/2016 Bowman F16M 11/10

OTHER PUBLICATIONS

Ergotron, Inc. [online] WorkFit-C, Dual Sit-Stand Workstation, [retrieved on Jan. 14, 2016] [retrieved from the Internet] <URL:<http://www.ergotron.com/ProductsDetails/tabid/65/PRDID/515/language/en-US/Default.aspx>>.

Ergotron, Inc. [online] WorkFit-S, Adjustable Standing Desk Mount Computer Workstation, [retrieved on Jan. 14, 2016] [retrieved from the internet] <URL:<http://www.ergotron.com/ProductsDetails/tabid/65/PRDID/561/language/en-US/Default.aspx>>.

Innovative Office Products, LLC [online] Winston Dual Monitor Sit Stand Workstation, [retrieved on Jan. 14, 2016] [retrieved from the internet] <URL:<http://www.lcdarms.com/products/multiple-monitor-mounts/winston-dual-freestand>>.

* cited by examiner

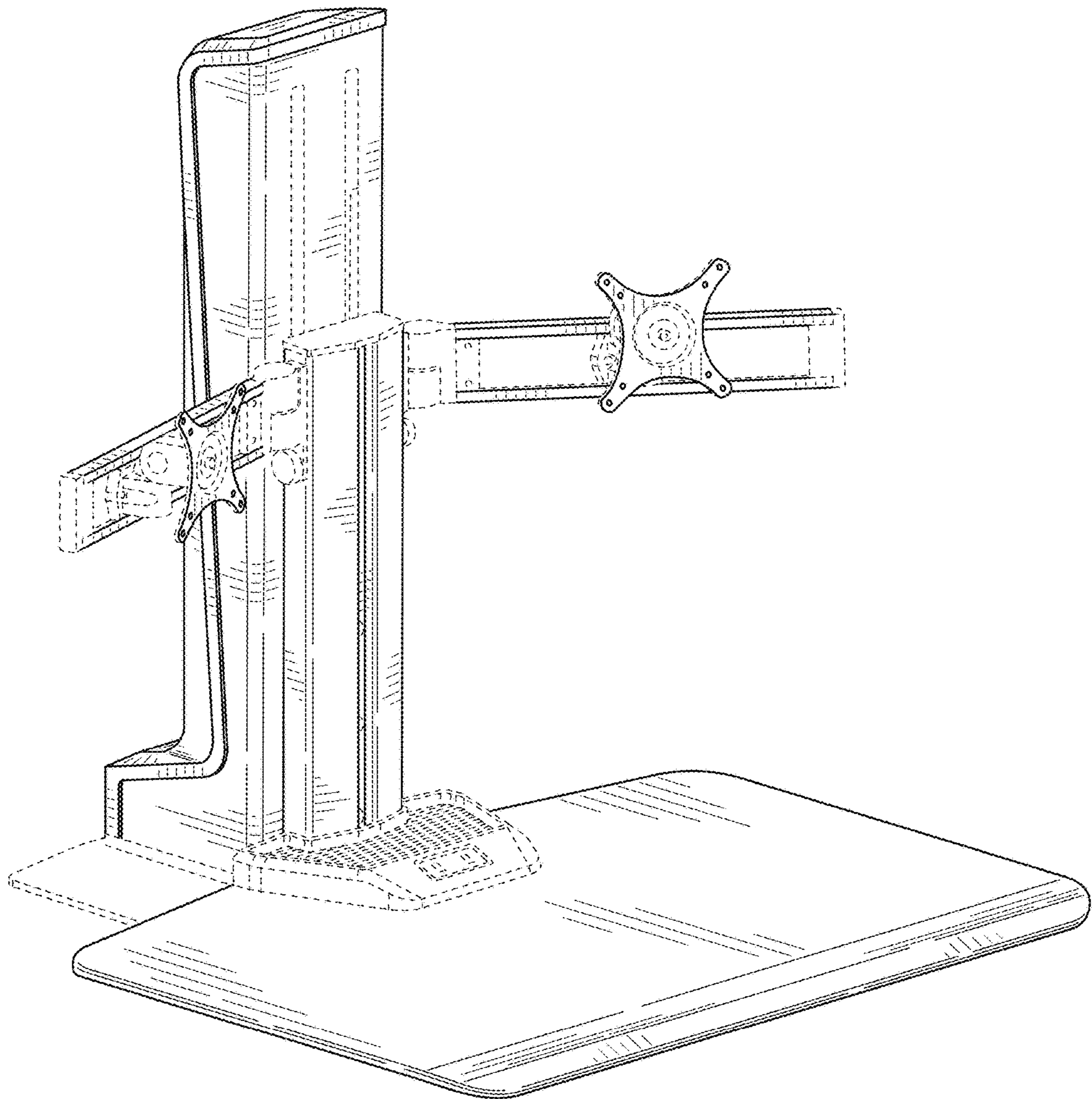


FIG. 1

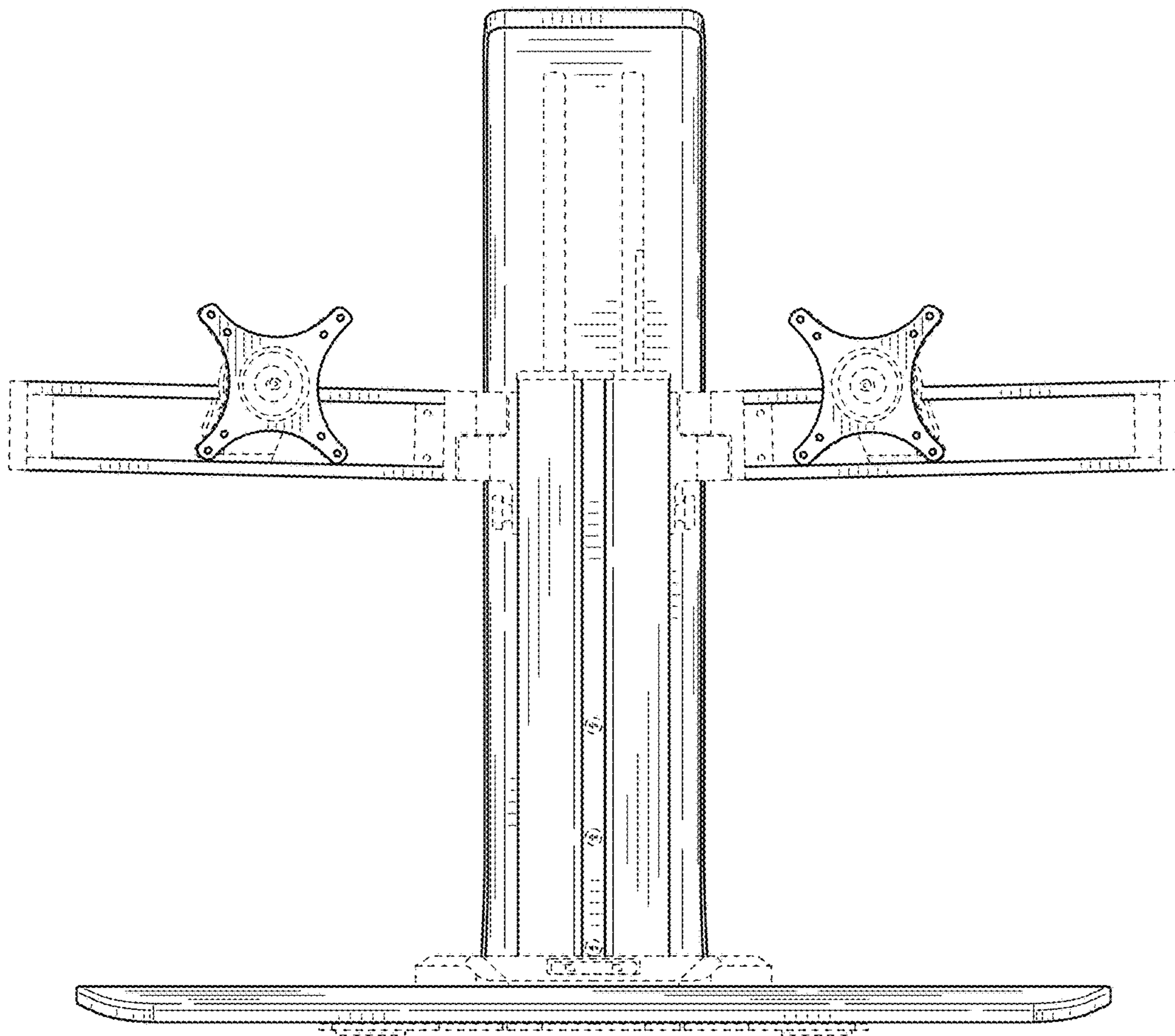


FIG. 2

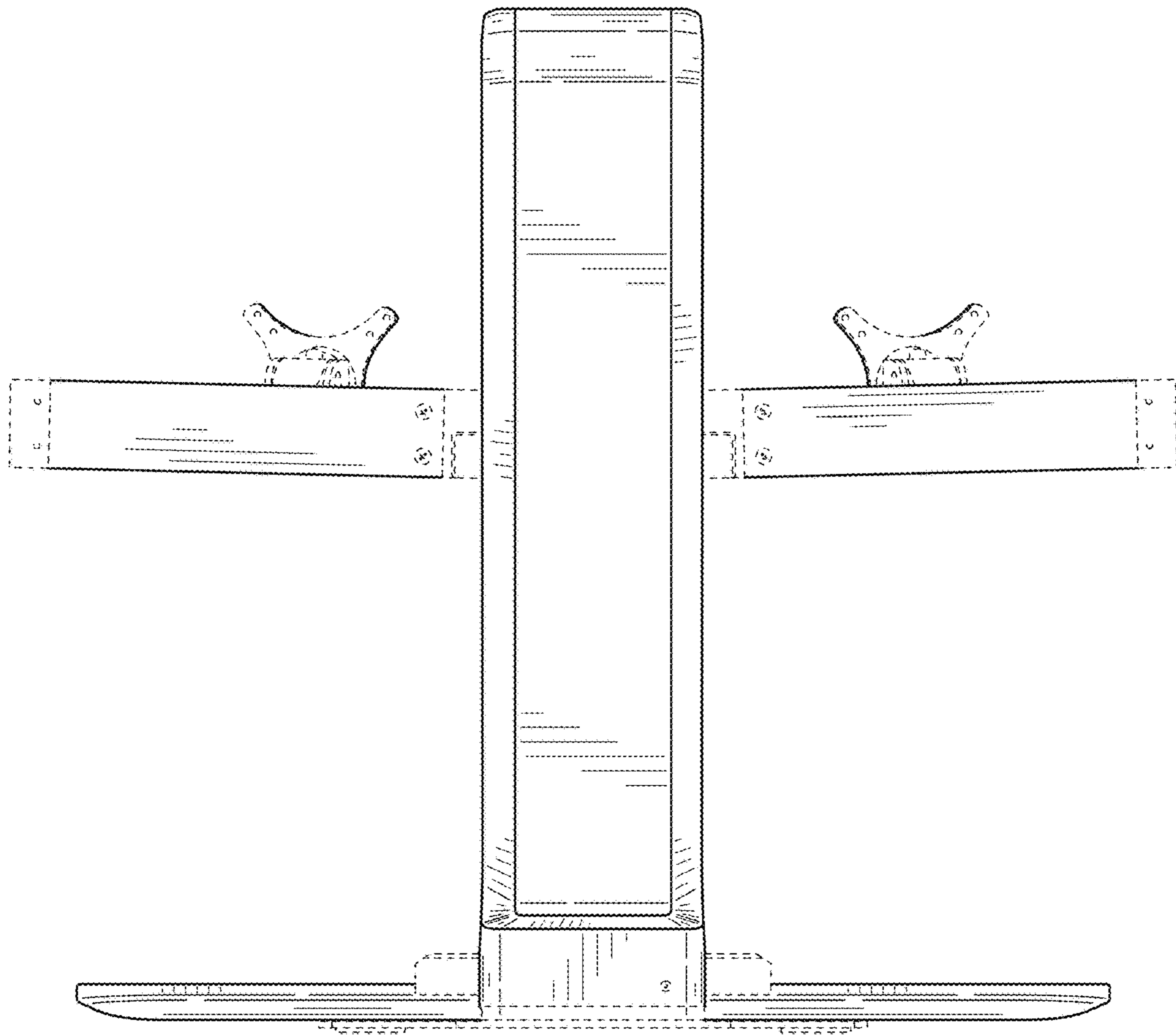


FIG. 3

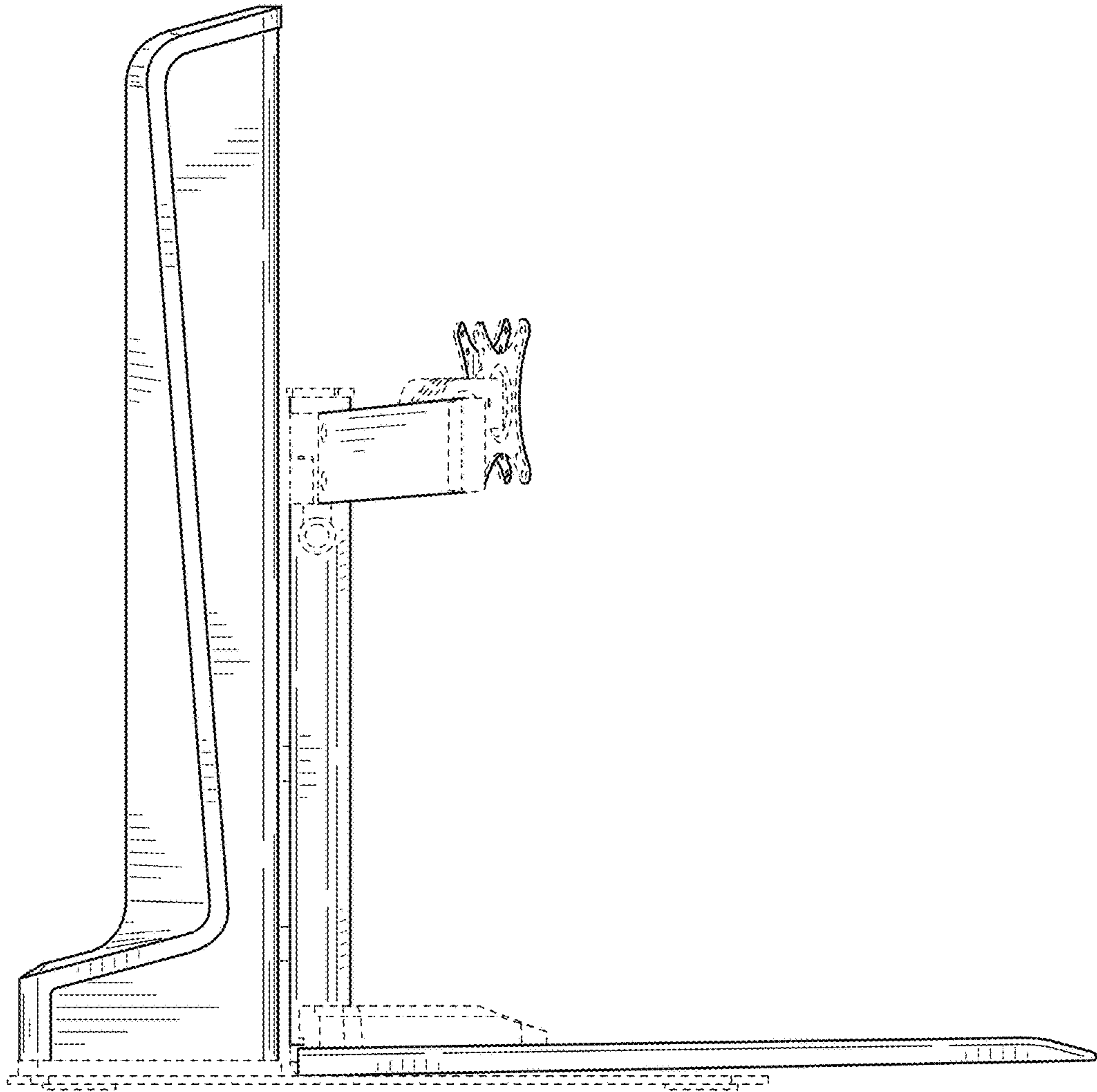


FIG. 4

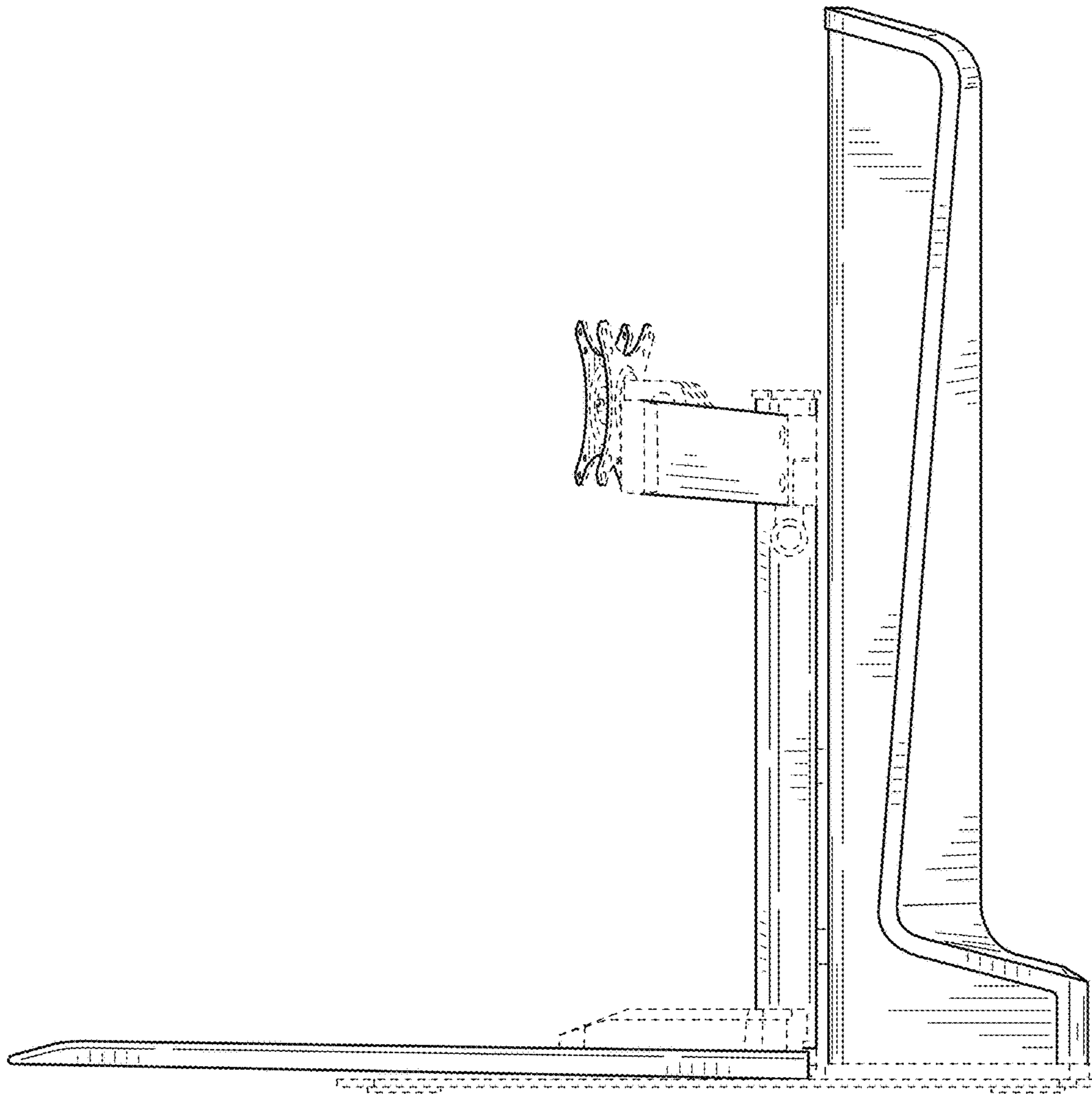


FIG. 5

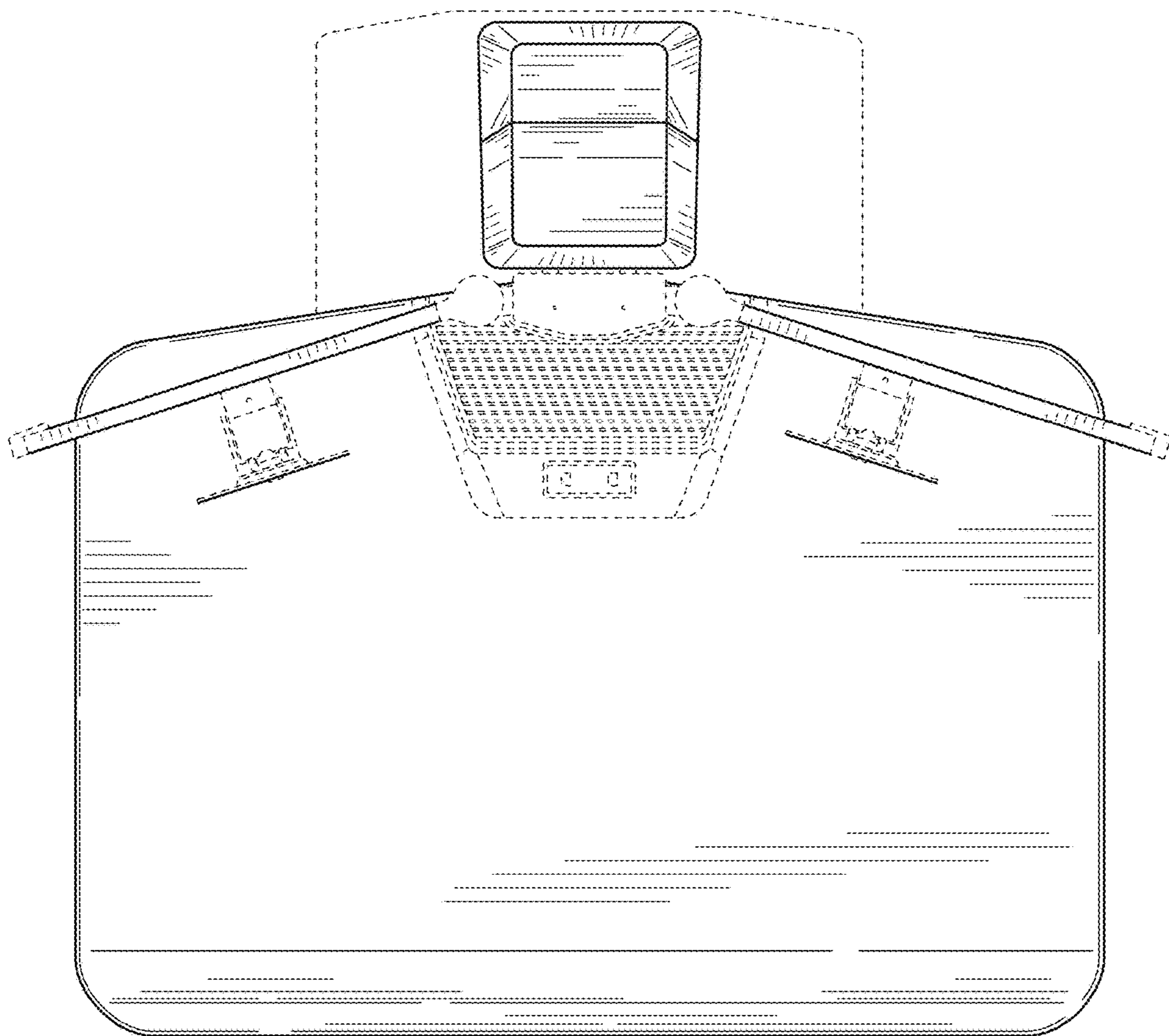


FIG. 6

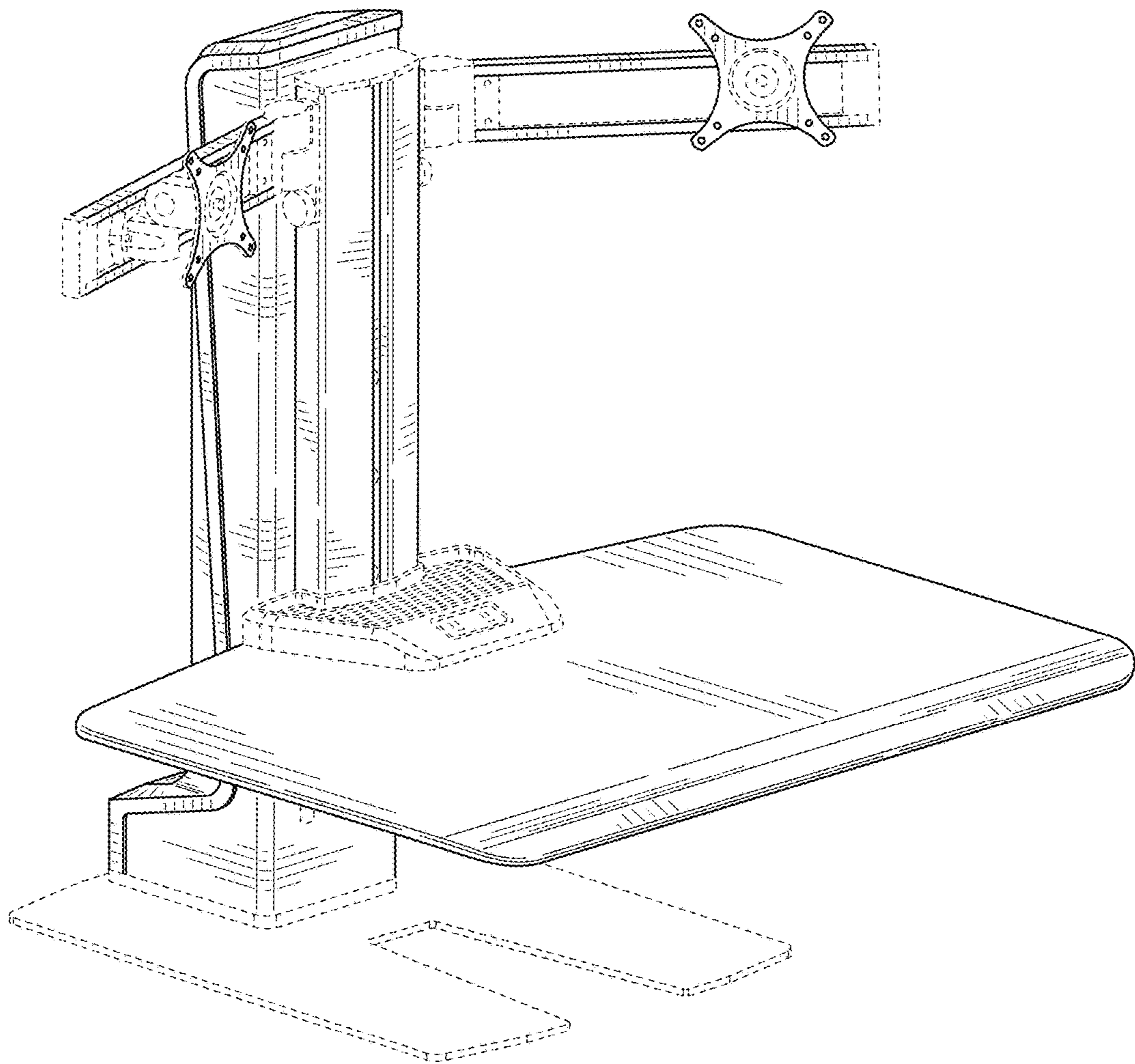


FIG. 7