



US00D787235S

(12) **United States Design Patent** (10) **Patent No.:** **US D787,235 S**
Chiang et al. (45) **Date of Patent:** **** May 23, 2017**

(54) **TOWEL WITH PADDED HEADREST**

2009/0276; A47G 9/0284; A47G 9/0292;
A47G 9/04; A47G 9/10

See application file for complete search history.

(71) Applicants: **Greg Chiang**, Bridgewater, NJ (US);
Matthew Scudder, Lincoln Park, NJ
(US)

(56) **References Cited**

U.S. PATENT DOCUMENTS

(72) Inventors: **Greg Chiang**, Bridgewater, NJ (US);
Matthew Scudder, Lincoln Park, NJ
(US)

1,930,942 A	10/1933	Pringle	
3,689,947 A	9/1972	Wolf	
4,200,942 A	5/1980	Case	
D280,170 S	8/1985	Short	
4,725,094 A *	2/1988	Greer	A47C 31/02 297/188.06
D322,532 S	12/1991	Kumar et al.	
5,072,467 A	12/1991	Hunt	
5,261,131 A	11/1993	Kilby	
D349,625 S	8/1994	Dapalma	
5,346,308 A *	9/1994	Buhot	A45C 3/10 224/153
5,361,435 A	11/1994	Reeves	
5,406,659 A *	4/1995	Camp	A47G 9/062 5/417

(**) Term: **14 Years**

(21) Appl. No.: **29/523,720**

(22) Filed: **Apr. 13, 2015**

Related U.S. Application Data

(63) Continuation-in-part of application No. 14/611,912,
filed on Feb. 2, 2015, now Pat. No. 9,332,858, which
is a continuation-in-part of application No.
13/849,358, filed on Mar. 22, 2013, now abandoned.

(Continued)

Primary Examiner — Mary Ann Calabrese

Assistant Examiner — Jennifer L Rempfer

(51) **LOC (10) Cl.** **06-13**

(57) **CLAIM**

(52) **U.S. Cl.**
USPC **D6/608**

The ornamental design for a towel with padded headrest, as
shown and described.

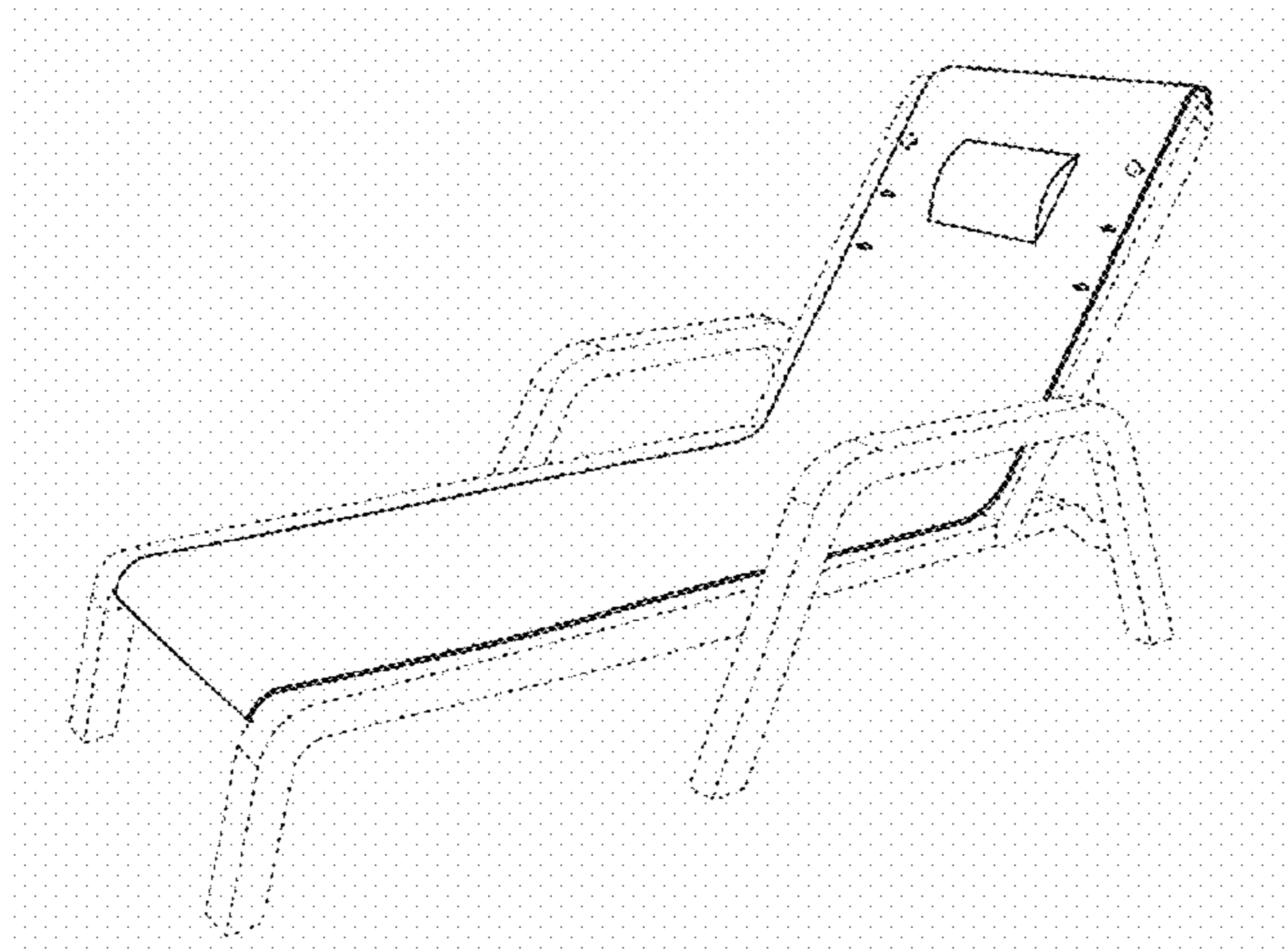
(58) **Field of Classification Search**

DESCRIPTION

USPC D6/582-583, 587-592, 595-609, 611,
D6/617-622; D21/803-809; D24/183;
D2/719, 731, 740, 741
CPC A47G 9/00; A47G 2009/001; A47G
2009/002; A47G 2009/003; A47G
2009/005; A47G 2009/006; A47G 9/02;
A47G 9/0207; A47G 9/0215; A47G
9/0223; A47G 9/023; A47G 9/0238;
A47G 9/0246; A47G 9/0253; A47G
9/0261; A47G 9/06; A47G 9/062; A47G
9/066; A47G 9/068; A47G 9/08; A47G

FIG. 1 is a perspective view of a towel with padded headrest
showing my new design;
FIG. 2 is a front view thereof;
FIG. 3 is a back view thereof;
FIG. 4 is a side view; opposite side view is mirror image
thereof;
FIG. 5 is a top view thereof; and,
FIG. 6 is a bottom view thereof.
In FIGS. 1, 3 and 4-6, the fasteners is shown in broken lines
form no part of the claimed design.

(Continued)



In FIG. 1, the broken lines showing environmental structure are for the purpose of illustrating the towel with padded headrest in a condition of use and form no part of the claimed design.

1 Claim, 3 Drawing Sheets

(56)

References Cited

U.S. PATENT DOCUMENTS

5,467,487	A	11/1995	Sicard	
5,499,411	A *	3/1996	Wong	A47G 9/062 5/417
D389,362	S	1/1998	Boulatian	
5,729,846	A	3/1998	Sullivan	
6,058,530	A	5/2000	Wheeler	
D440,805	S	4/2001	Rogone et al.	
D478,455	S	8/2003	Papazian	
6,626,491	B1	9/2003	Blome et al.	

6,859,960	B1	3/2005	Jerome	
7,607,182	B1 *	10/2009	Weiner	A47G 9/062 5/110
D639,597	S *	6/2011	Weaver	D6/596
D651,032	S	12/2011	Adkins	
8,122,538	B2	2/2012	McBrearty	
8,307,476	B1 *	11/2012	Weaver	A47G 9/062 5/417
D680,360	S *	4/2013	Ogawa	D6/611
D707,987	S	7/2014	Chiang et al.	
D708,868	S *	7/2014	Willoughby	D6/602
D712,683	S *	9/2014	Faubion	D6/596
8,959,679	B1 *	2/2015	Everds	A47G 9/062 206/38
9,332,858	B1 *	5/2016	Chiang	A47C 7/62
9,345,925	B2 *	5/2016	Liu	A63B 21/4037
2006/0117480	A1 *	6/2006	Younce	A47G 9/062 5/417
2010/0001565	A1	1/2010	Gray et al.	
2011/0268930	A1 *	11/2011	Christensen	A47G 9/062 428/192

* cited by examiner

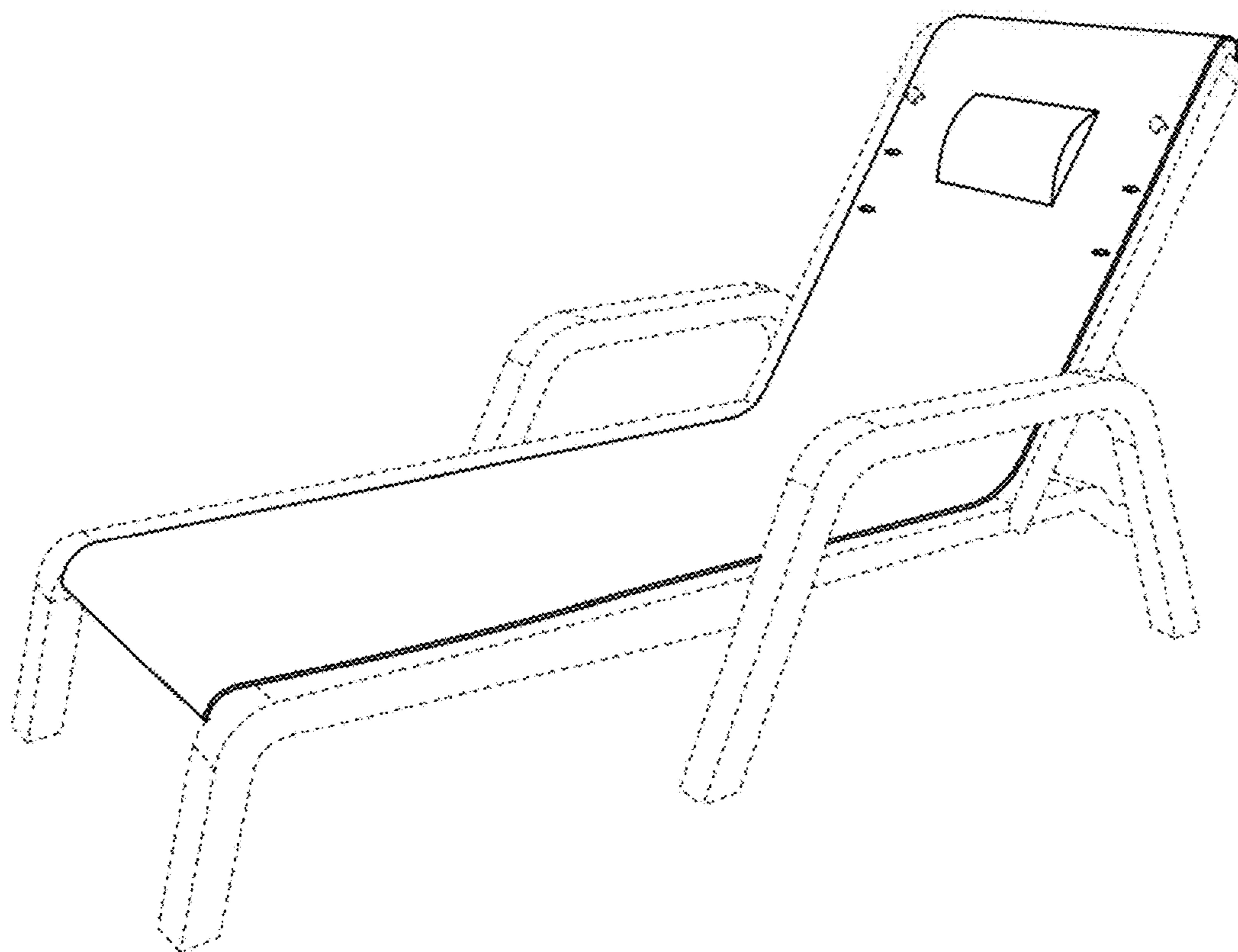


FIG. 1

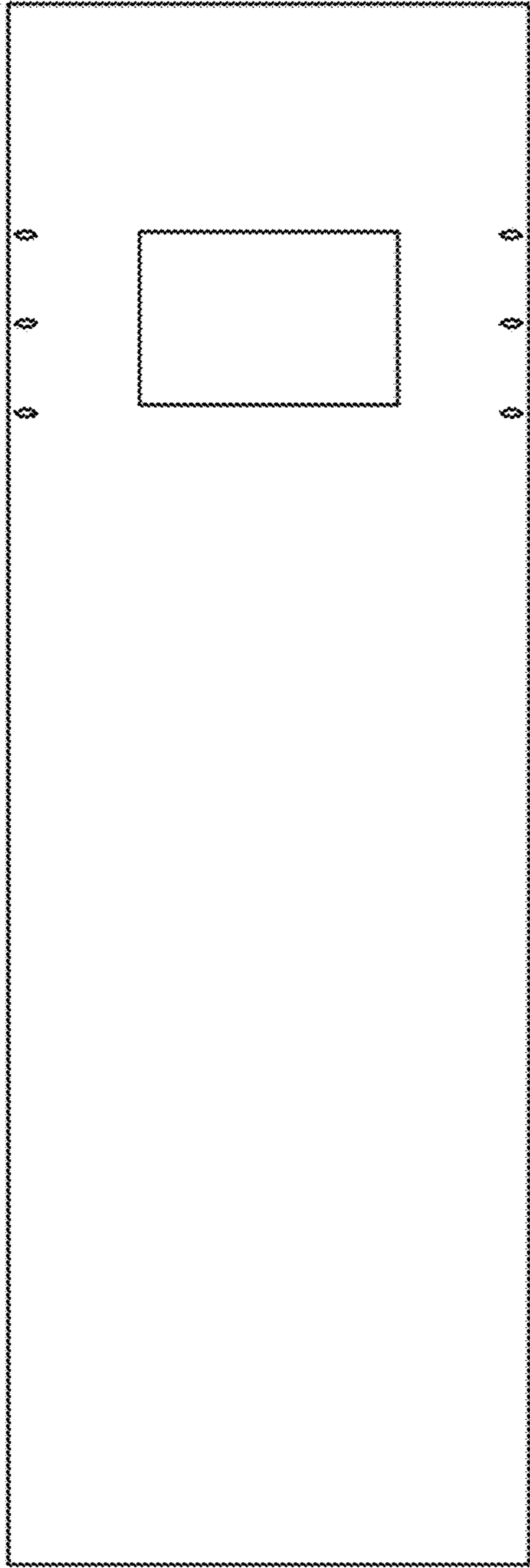


FIG. 2

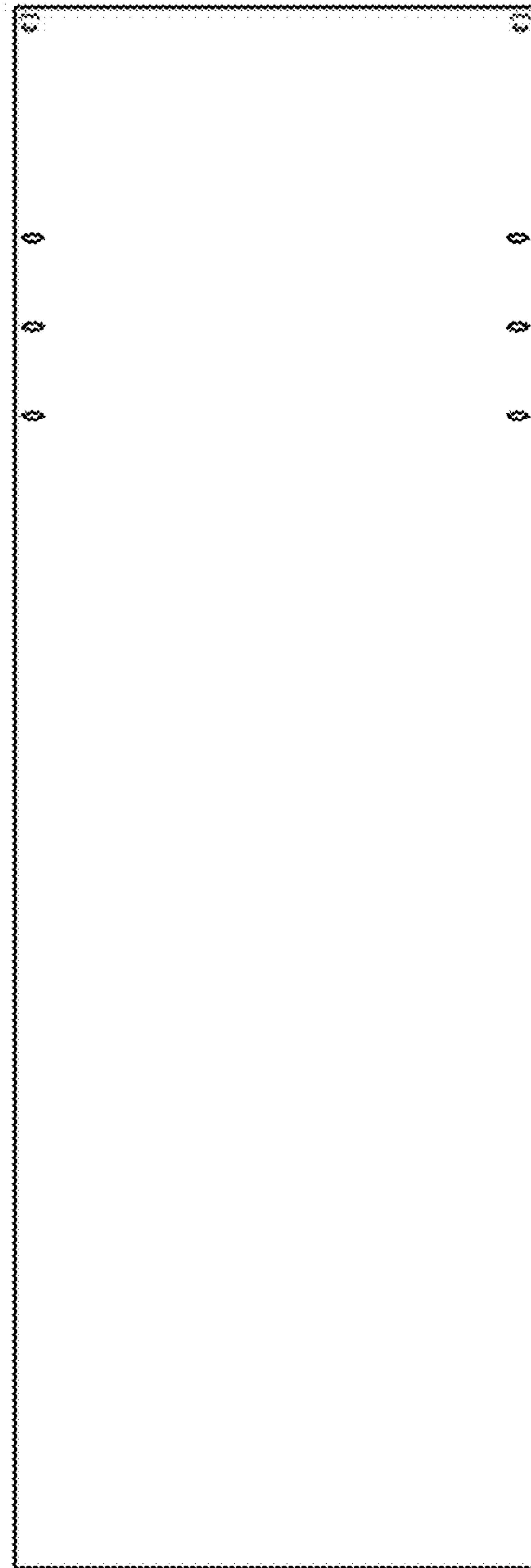


FIG. 3



FIG. 4

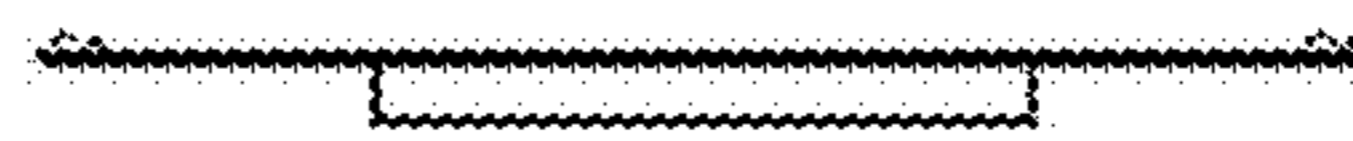


FIG. 5

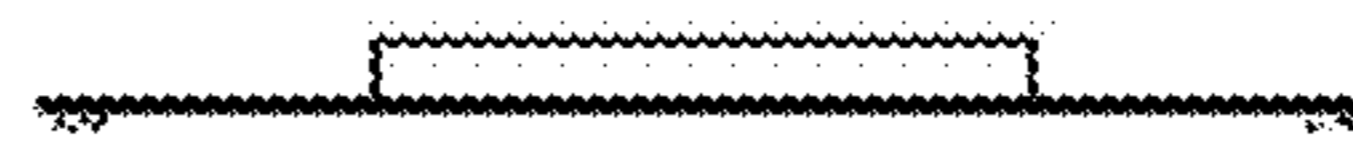


FIG. 6