



US00D787228S

(12) **United States Design Patent**  
**Sakaguchi et al.**

(10) **Patent No.:** **US D787,228 S**

(45) **Date of Patent:** **\*\* May 23, 2017**

(54) **EXTENDABLE BATH ORGANIZER**

(71) Applicant: **Pearhead, Inc.**, Brooklyn, NY (US)

(72) Inventors: **Thomas Ray Sakaguchi**, Brooklyn, NY (US); **Nadine Girard**, Brooklyn, NY (US); **Brian Douglas Smith**, Cookeville, TN (US)

(73) Assignee: **PEARHEAD, INC.**, Brooklyn, NY (US)

(\*\*) Term: **15 Years**

(21) Appl. No.: **29/526,893**

(22) Filed: **May 13, 2015**

(51) **LOC (10) Cl.** ..... **23-02**

(52) **U.S. Cl.**  
USPC ..... **D6/525**

(58) **Field of Classification Search**  
USPC ..... D6/525, 524, 553, 567, 574; D21/400, D21/402, 473, 679, 681-682; 108/14, 28, 108/137, 140, 141, 143, 144.11; 211/71, 211/74, 75, 86.01, 88, 106, 126.1, 126.9, 211/133.5, 134; D23/303-304  
CPC ..... A47K 3/001; A47K 3/281; A47K 3/004; A47K 3/003; A47K 1/09; A47K 5/02; A47K 2201/02  
See application file for complete search history.

(56) **References Cited**

**U.S. PATENT DOCUMENTS**

D358,458 S \* 5/1995 Brightbill ..... D23/304  
D417,809 S \* 12/1999 Hofman ..... D6/525

D431,744 S \* 10/2000 Ali ..... D6/567  
D441,996 S \* 5/2001 Wright ..... D6/525  
D545,601 S \* 7/2007 Yang ..... D6/525  
D575,972 S \* 9/2008 Shiao ..... D6/567  
D598,688 S \* 8/2009 Yang ..... D6/525

\* cited by examiner

*Primary Examiner* — Wan Laymon

*Assistant Examiner* — Mark Booker

(74) *Attorney, Agent, or Firm* — Vista IP Law Group LLP; James K. Sakaguchi

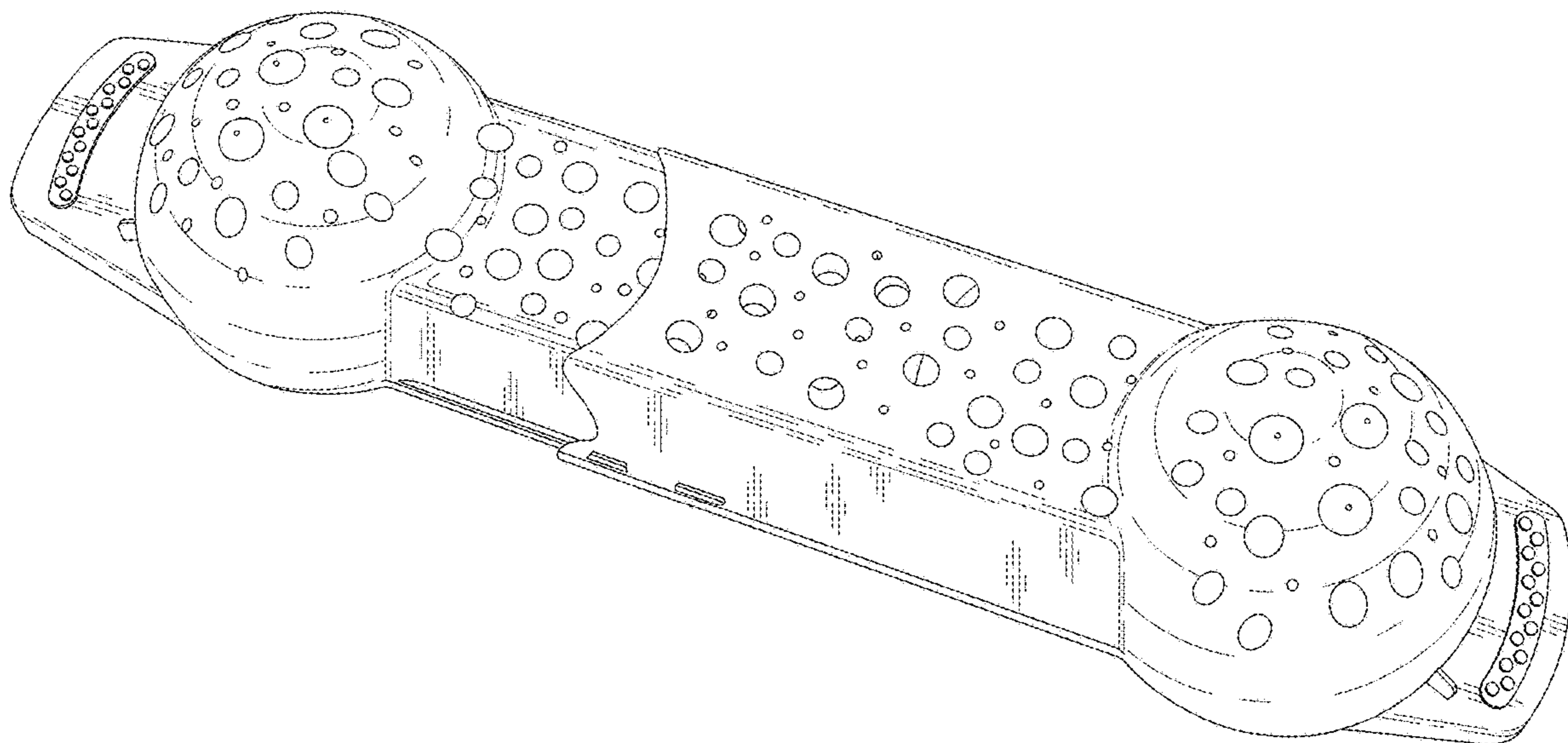
(57) **CLAIM**

The ornamental design for an extendable bath organizer, as shown and described.

**DESCRIPTION**

FIG. 1 is a top, perspective view of an extendable bath organizer embodying the new design;  
FIG. 2 is a left side elevational view thereof;  
FIG. 3 is a right side elevational view thereof;  
FIG. 4 is a front side elevational view thereof;  
FIG. 5 is a rear side elevational view thereof;  
FIG. 6 is top plan view thereof;  
FIG. 7 is a bottom plan view thereof; and,  
FIG. 8 is a top, perspective view of thereof, with the extendable bath organizer in an extended position.  
Portions of the extendable bath organizer shown in broken lines form no part of the claimed design.

**1 Claim, 4 Drawing Sheets**



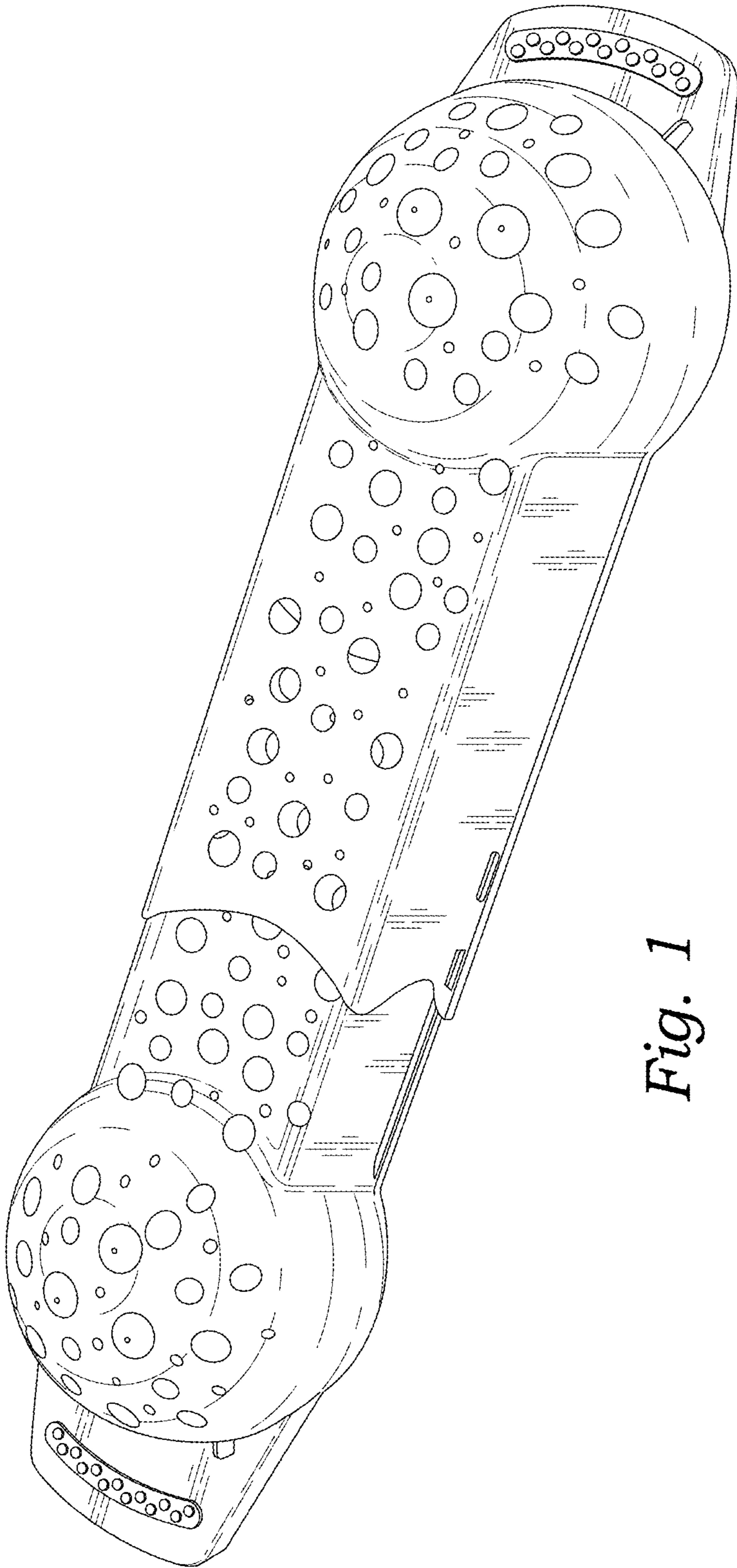


Fig. 1

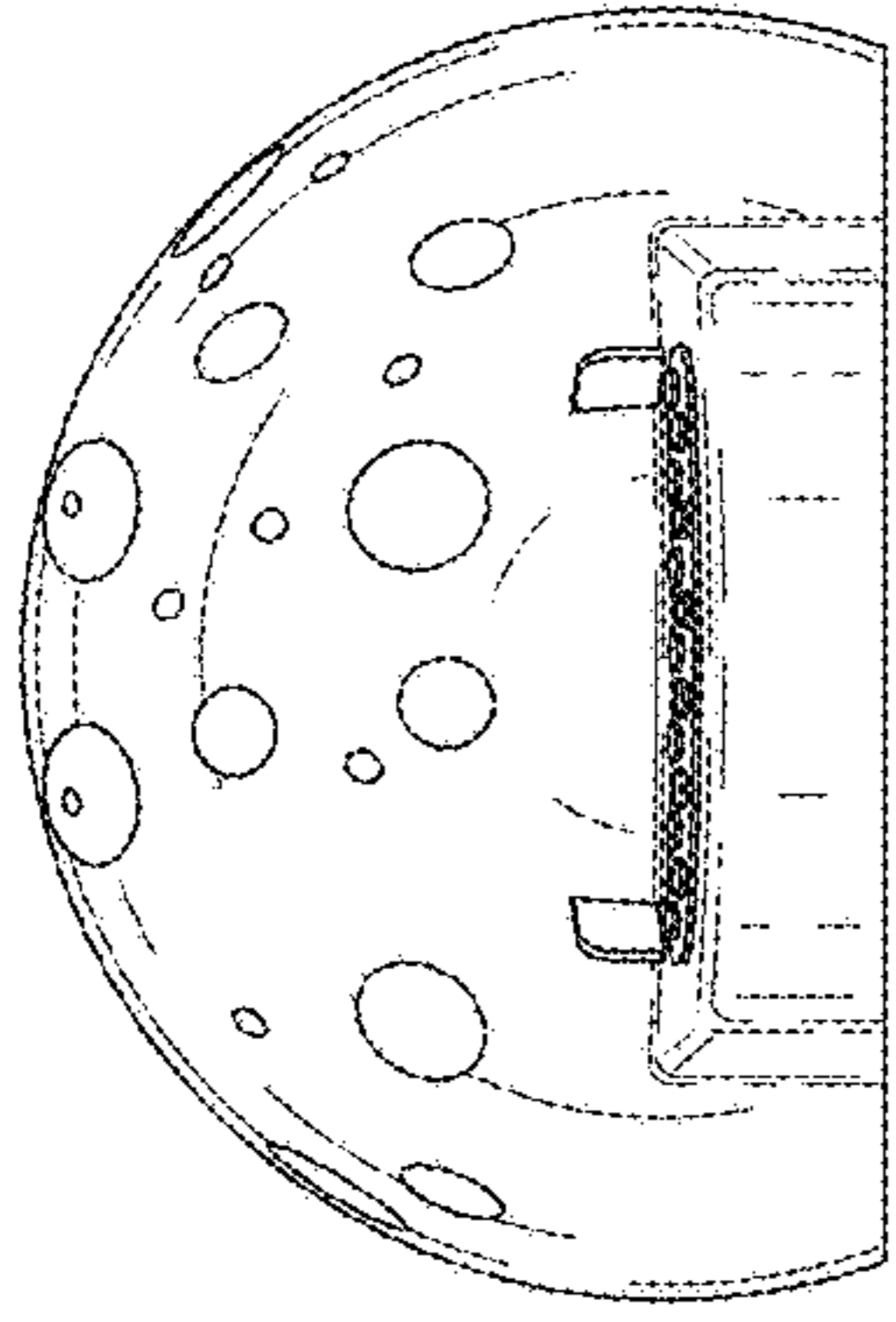


Fig. 2

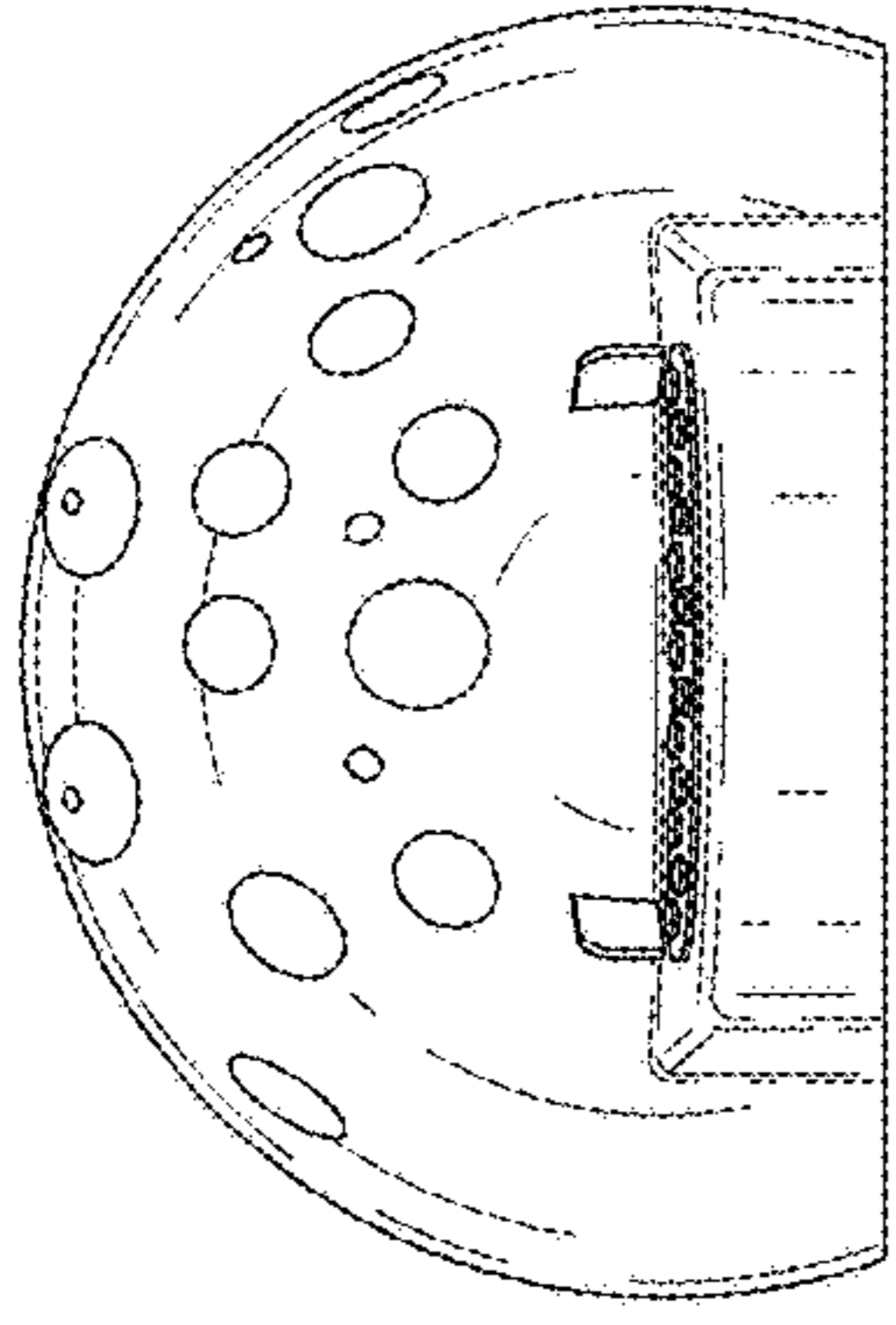


Fig. 3

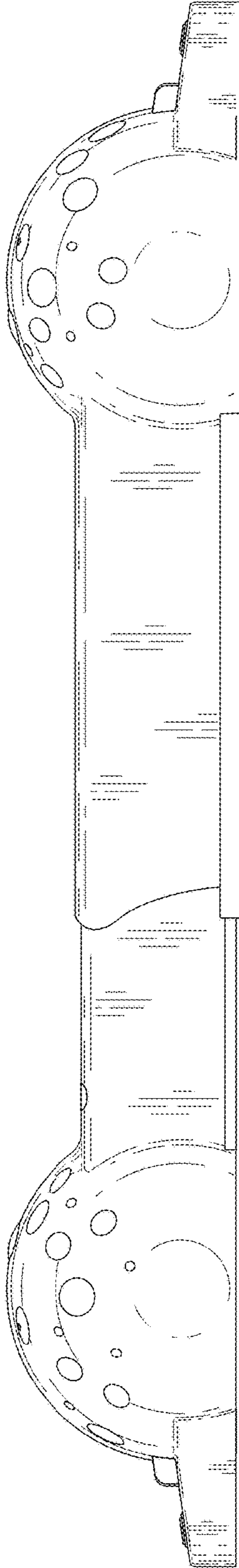


Fig. 4

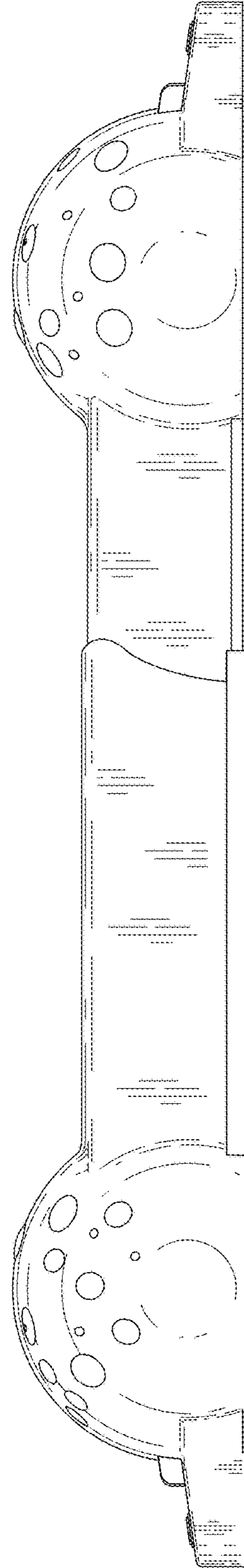
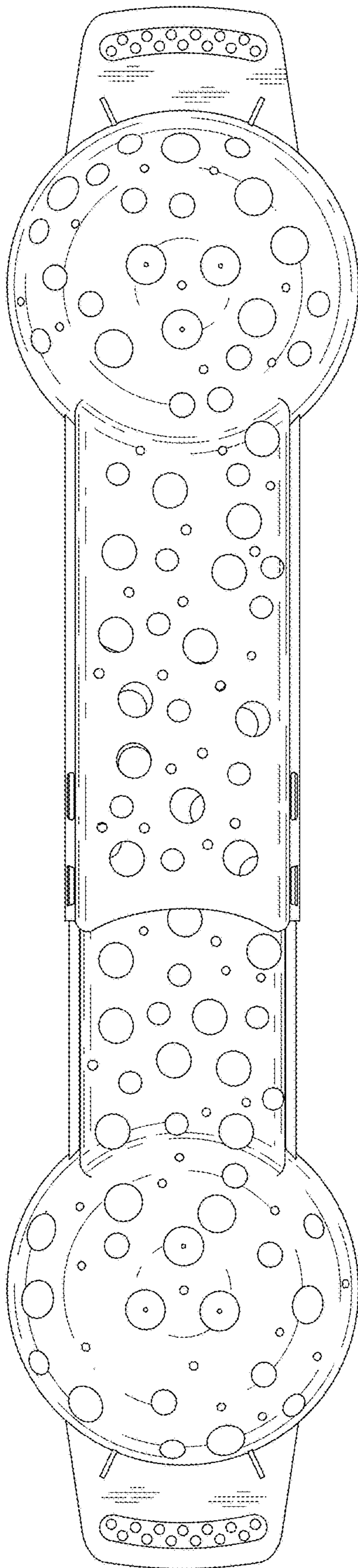
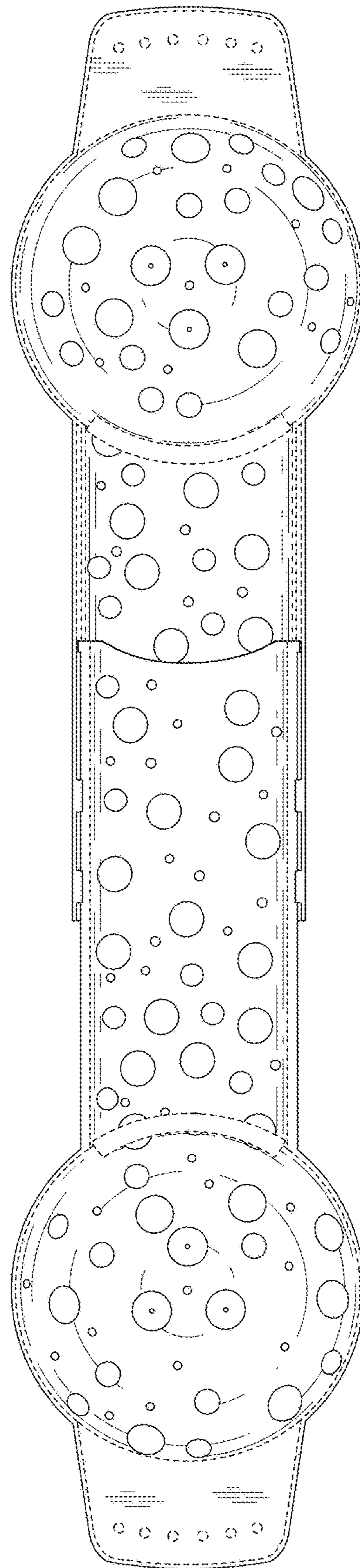


Fig. 5





*Fig. 6*



*Fig. 7*

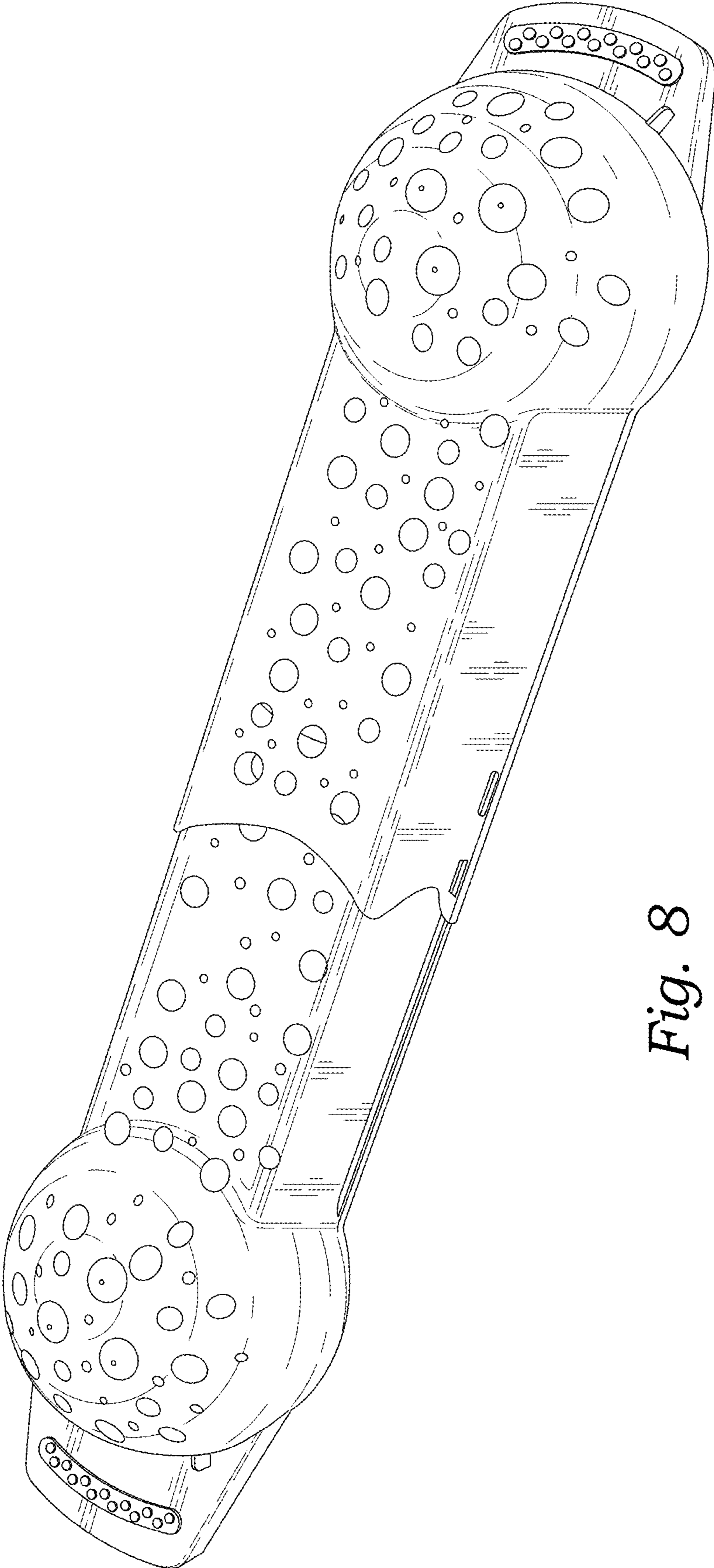


Fig. 8