



US00D787227S

(12) **United States Design Patent**  
**Ghiorghie**

(10) **Patent No.:** **US D787,227 S**

(45) **Date of Patent:** **\*\* May 23, 2017**

(54) **HOLDER**

(71) Applicant: **InterDesign, Inc.**, Solon, OH (US)

(72) Inventor: **Radu Alexandru Ghiorghie**, Copley, OH (US)

(73) Assignee: **InterDesign, Inc.**, Solon, OH (US)

(\*\*) Term: **14 Years**

(21) Appl. No.: **29/499,664**

(22) Filed: **Aug. 18, 2014**

(51) **LOC (10) Cl.** ..... **23-02**

(52) **U.S. Cl.**  
USPC ..... **D6/525**

(58) **Field of Classification Search**  
USPC ..... D6/525, 524, 534, 566; 211/13.1, 74, 211/71.01, 86.01, 75, 88.01, 90.01, 90.03, 211/106, 119  
CPC ..... A47K 17/00; A47K 3/281; A47K 3/001; A47K 10/06; A47K 2201/00; B23P 17/04; A47B 57/265; A47B 57/565; A47B 57/26

See application file for complete search history.

4,136,784 A \* 1/1979 Knobel ..... A47G 25/743 211/119

D267,919 S \* 2/1983 Owens ..... D6/315

5,421,465 A \* 6/1995 Dunner, Jr. .... A47G 25/743 211/115

D479,794 S \* 9/2003 Snell ..... D8/367

D515,912 S \* 2/2006 Snell ..... D8/367

D543,367 S \* 5/2007 Sack ..... D6/315

\* cited by examiner

*Primary Examiner* — Wan Laymon

*Assistant Examiner* — Mark Booker

(74) *Attorney, Agent, or Firm* — Calfee, Halter & Griswold, LLP

(57) **CLAIM**

I claim the ornamental design a holder, as shown and described.

**DESCRIPTION**

FIG. 1 is a front view of a holder;  
 FIG. 2 is a left side elevational view thereof (a right side elevational view would be a mirror image thereof); and,  
 FIG. 3 is a top plan view thereof.  
 The broken line showing in the figures is included for the purpose of illustrating portions of the holder and form no part of the claimed design.

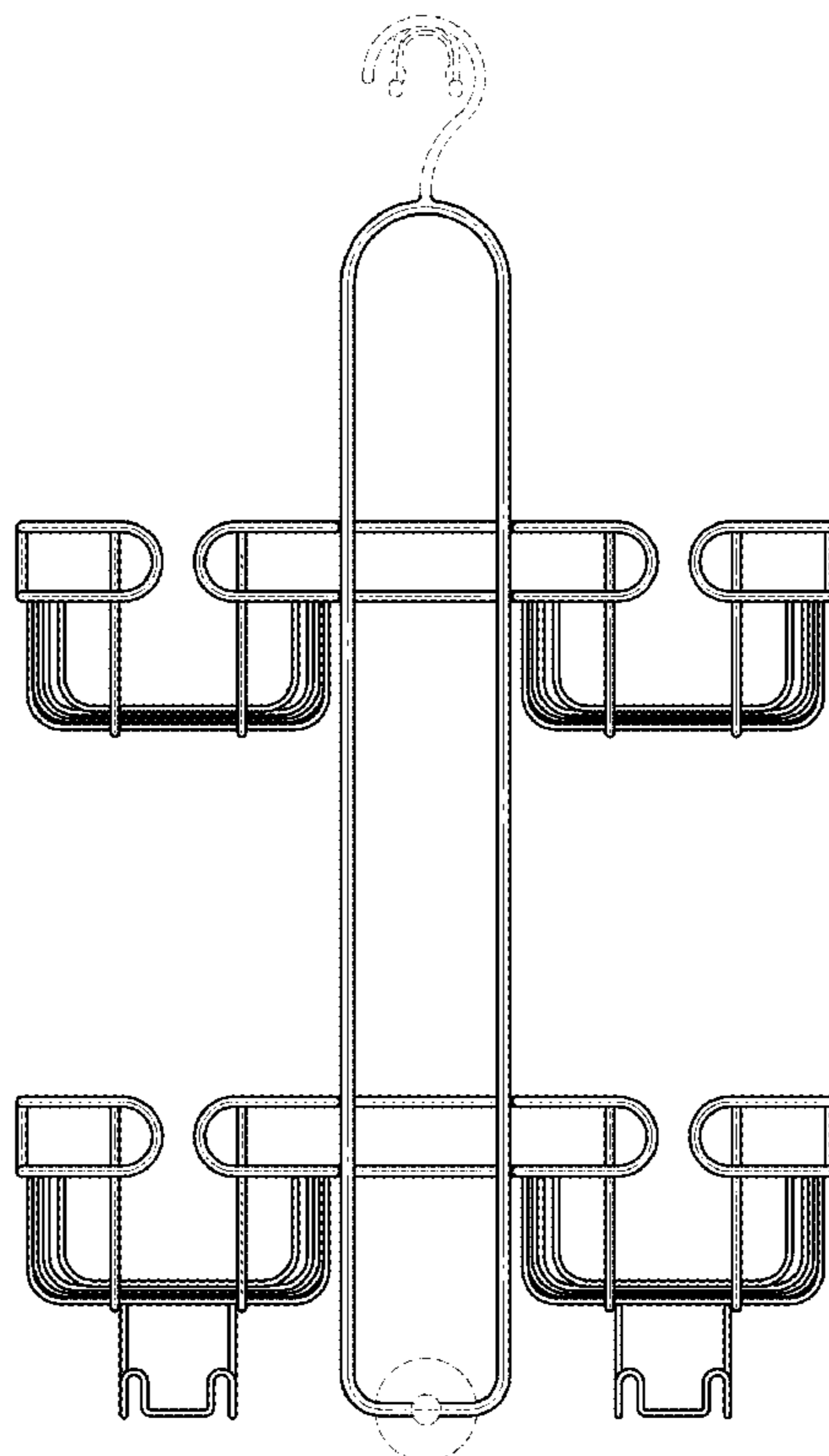
**1 Claim, 3 Drawing Sheets**

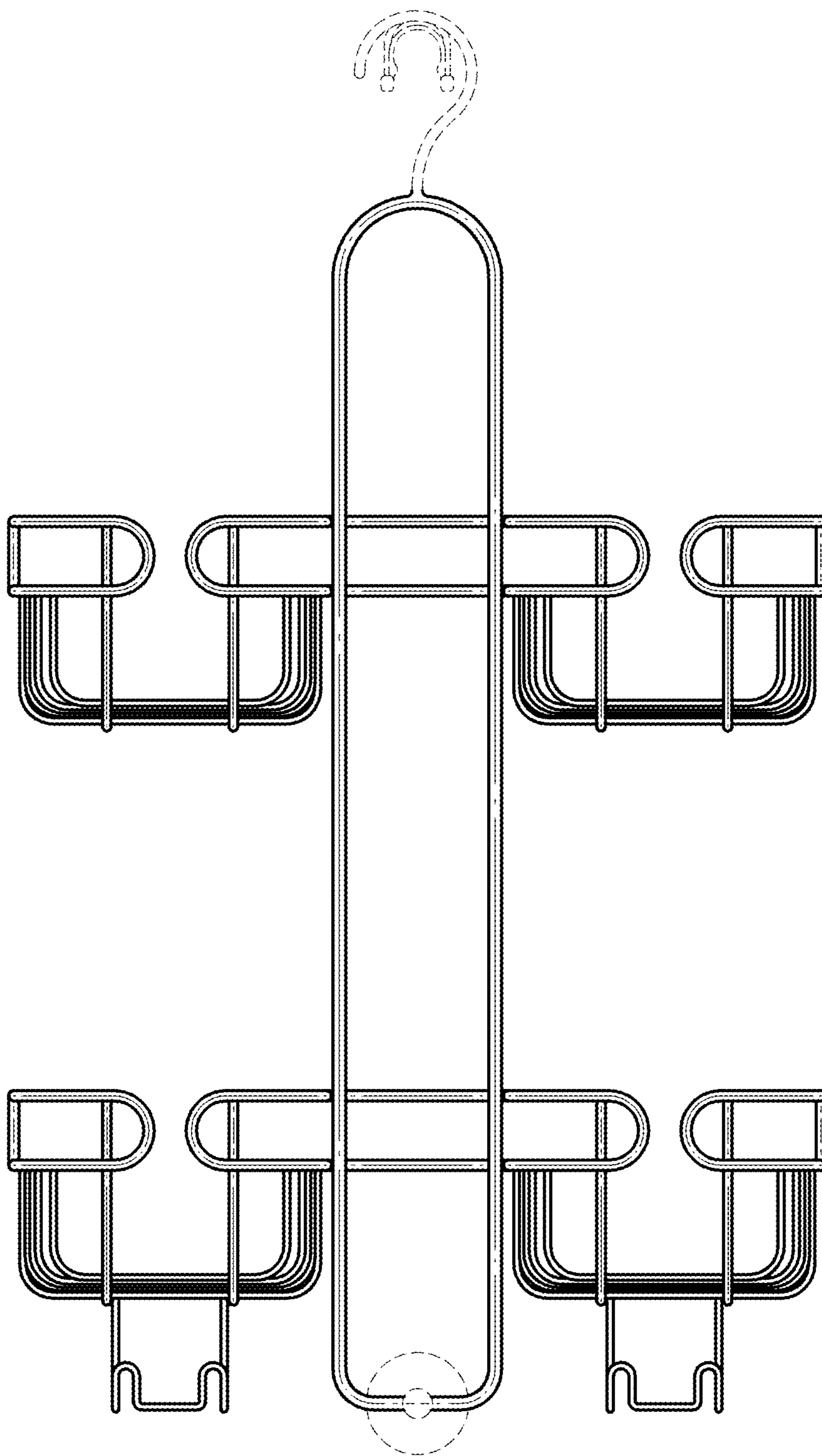
(56) **References Cited**

U.S. PATENT DOCUMENTS

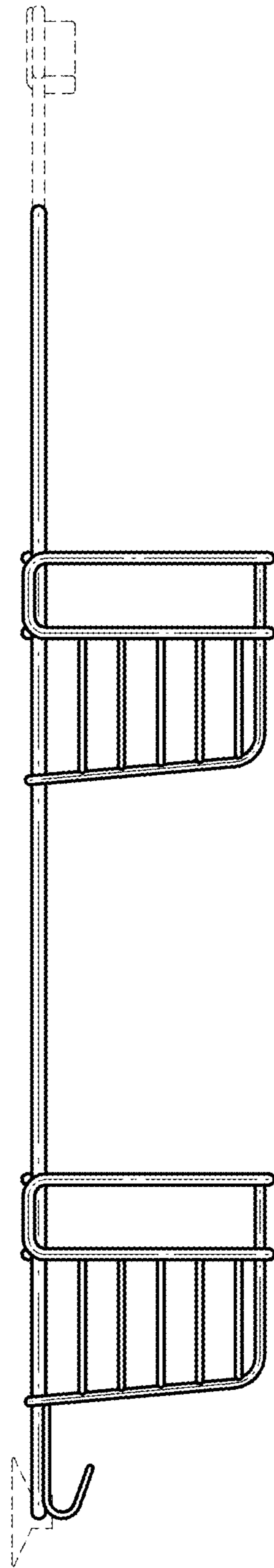
2,793,762 A \* 5/1957 Broussard ..... D06F 57/00 211/113

D247,084 S \* 1/1978 De Mascole ..... D6/315

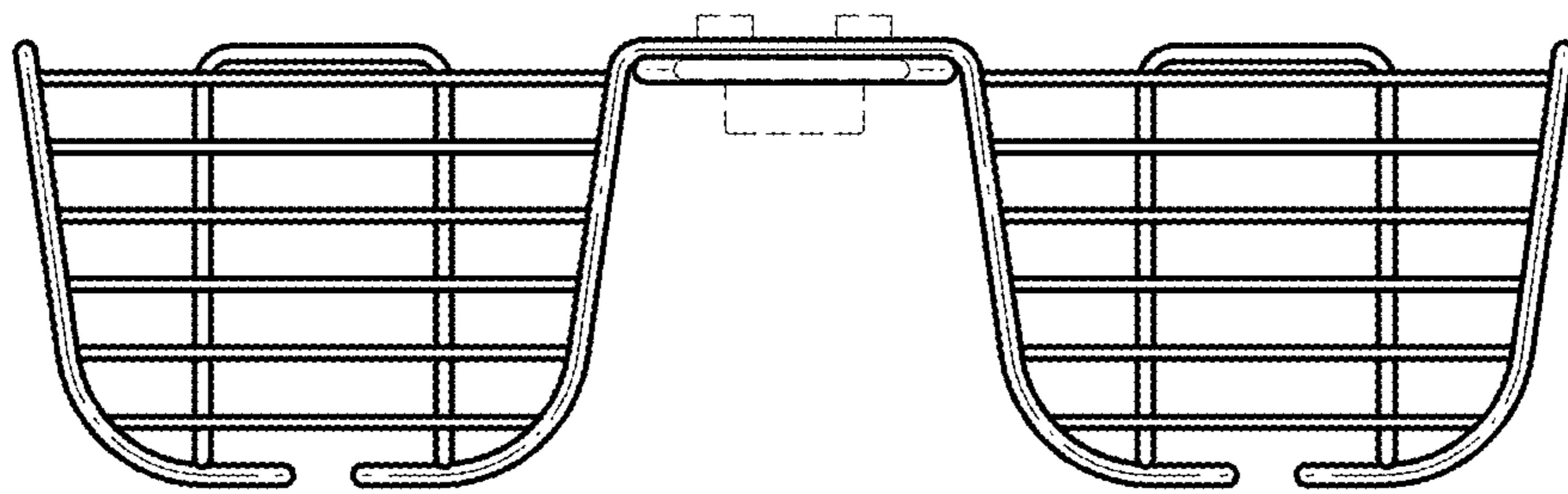




**FIG. 1**



**FIG. 2**



**FIG. 3**