



US00D787226S

(12) **United States Design Patent** (10) **Patent No.:** **US D787,226 S**
Goodman et al. (45) **Date of Patent:** **** May 23, 2017**

(54) **PAPER TOWEL HOLDER**
(71) Applicant: **Spectrum Diversified Designs, Inc.**,
Streetsboro, OH (US)
(72) Inventors: **Sheldon H. Goodman**, Solon, OH
(US); **Phaysouk Xayoiphonh**, Akron,
OH (US)
(73) Assignee: **SPECTRUM DIVERSIFIED**
DESIGNS, LLC, Streetsboro, OH (US)
(**) Term: **14 Years**
(21) Appl. No.: **29/519,006**
(22) Filed: **Mar. 2, 2015**
(51) **LOC (10) Cl.** **20-02**
(52) **U.S. Cl.**
USPC **D6/521**
(58) **Field of Classification Search**
USPC D6/518-523; 206/389, 391; 211/13.1,
211/59.1, 45, 890.1, 16, 85.5, 86.01,
211/87.01, 88.04, 100, 105.1, 105.2, 106,
211/113, 123, 181.1, 182-183; 242/570,
242/590, 597.7, 309.1, 309.2; D25/45;
D8/300, 370, 315; 108/28-29
CPC A47K 10/3836; A47K 2010/3863; B26F
3/02; Y10T 225/282
See application file for complete search history.

D474,633 S * 5/2003 Ancona D6/521
D474,634 S * 5/2003 Ancona D6/521
D474,635 S * 5/2003 Ancona D6/521
D576,825 S * 9/2008 Goodman D6/521
D582,709 S * 12/2008 Goodman D6/521
D628,836 S * 12/2010 Guindi D6/521
D628,837 S * 12/2010 Goodman D6/521
D628,838 S * 12/2010 Goodman D6/521
D631,271 S * 1/2011 Goodman D6/521
D653,889 S * 2/2012 Guindi D6/521
D660,629 S * 5/2012 Goodman D6/521
D667,662 S * 9/2012 Goodman D6/521
D667,663 S * 9/2012 Goodman D6/521
D698,571 S * 2/2014 Tawil D6/520
D699,046 S * 2/2014 Goodman D6/521
D711,664 S * 8/2014 Goodman D6/521
D716,070 S * 10/2014 Goodman D6/521
D717,564 S * 11/2014 Goodman D6/521
D723,832 S * 3/2015 Goodman D6/521

* cited by examiner

Primary Examiner — David Muller
Assistant Examiner — Nathan Johnston
(74) *Attorney, Agent, or Firm* — Benesch, Friedlander,
Coplan & Aronoff LLP

(57) **CLAIM**

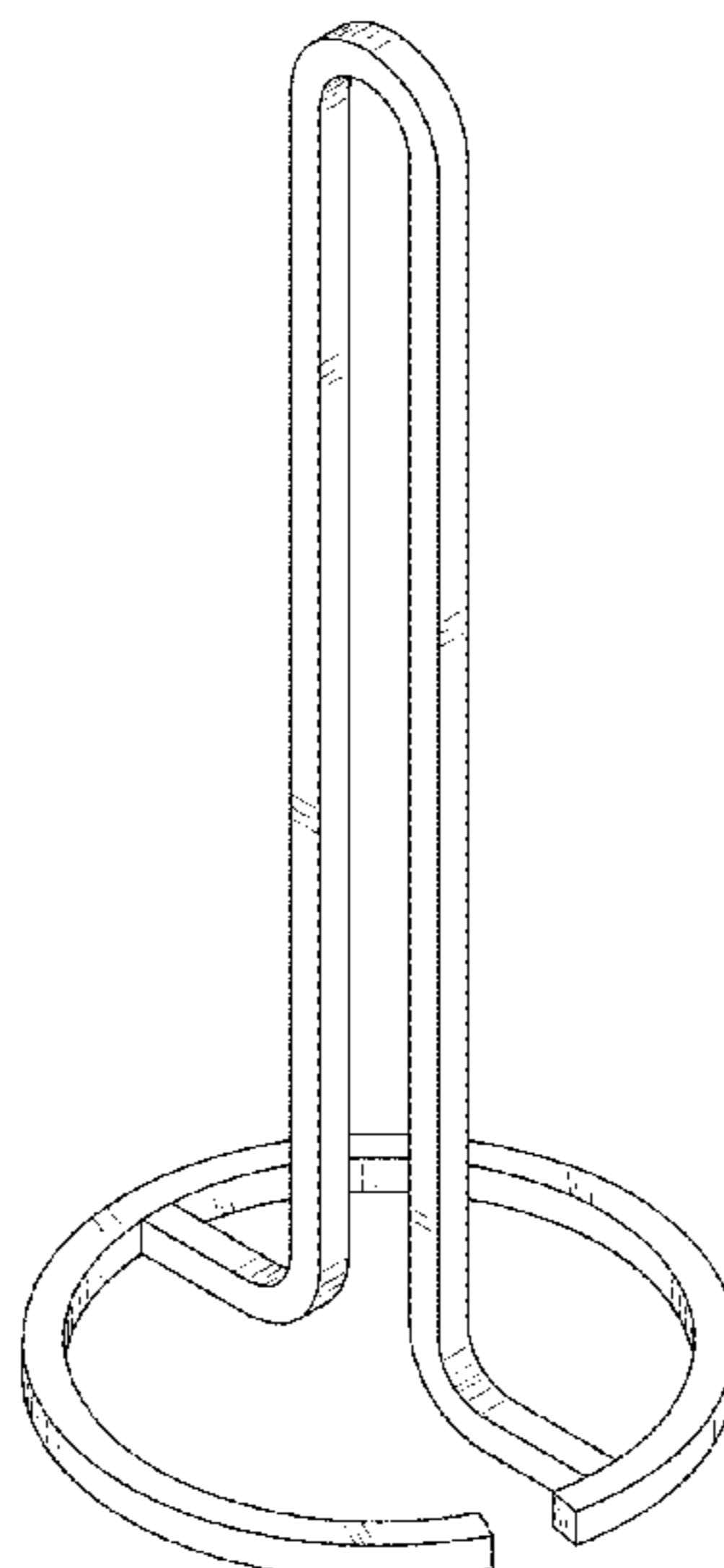
What is claimed is the ornamental design for a paper towel holder, as shown and described.

DESCRIPTION

FIG. 1 is a perspective view of a paper towel holder showing a new design;
FIG. 2 is a right side elevation view thereof;
FIG. 3 is a front elevation view thereof;
FIG. 4 is a left side elevation view thereof;
FIG. 5 is a cross-sectional view taken along line 5-5 of FIG. 3;
FIG. 6 is a top plan view thereof; and,
FIG. 7 is a bottom plan view thereof.

1 Claim, 2 Drawing Sheets

(56) **References Cited**
U.S. PATENT DOCUMENTS
1,699,935 A * 1/1929 Warnes A47J 29/06
211/181.1
D390,054 S * 2/1998 Goodman D6/521
D395,567 S * 6/1998 Hollinger D6/521
D405,304 S * 2/1999 Goodman D6/521
D412,803 S * 8/1999 Goodman D6/521
D438,737 S * 3/2001 Goodman D6/522
D474,361 S * 5/2003 Ancona D6/521



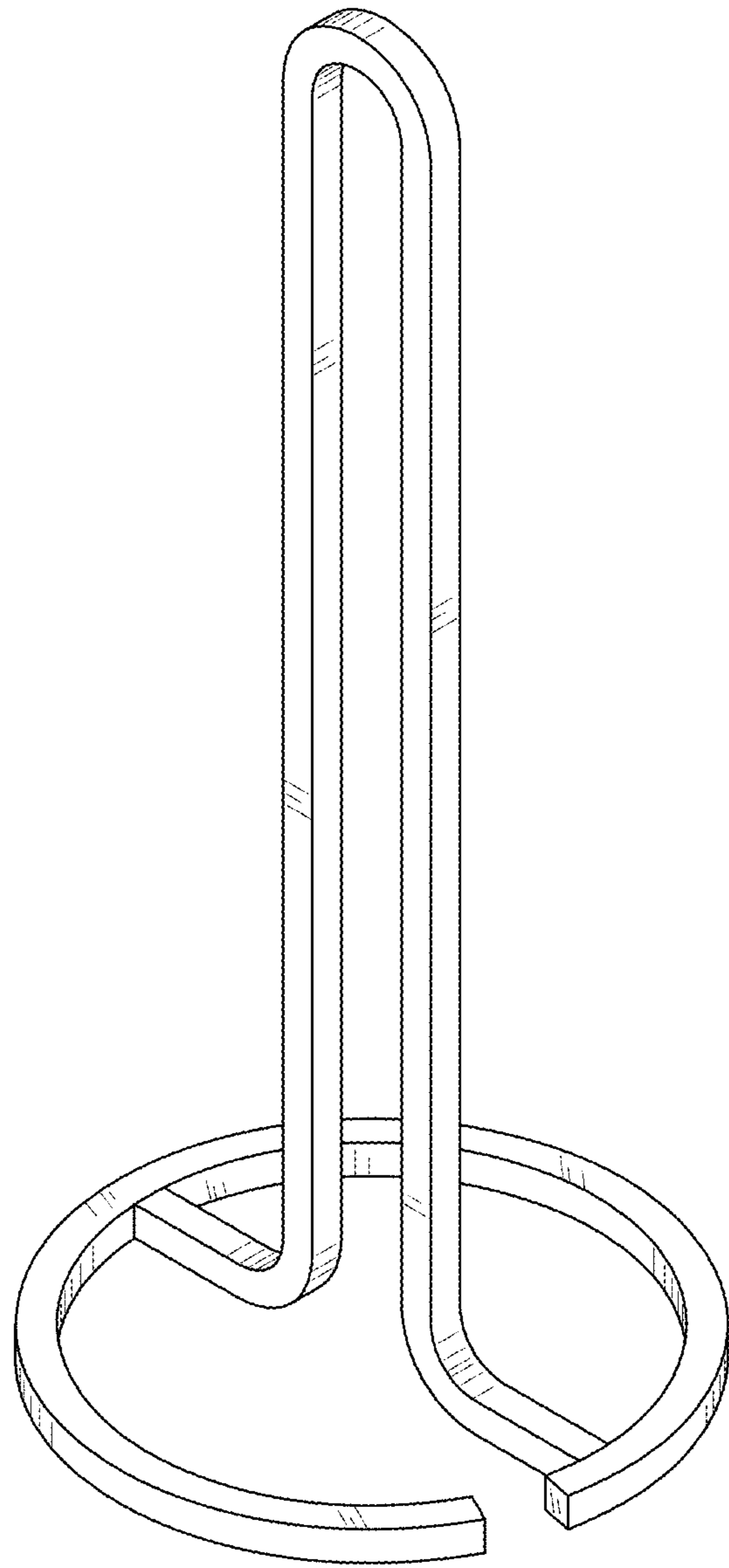


FIG 1

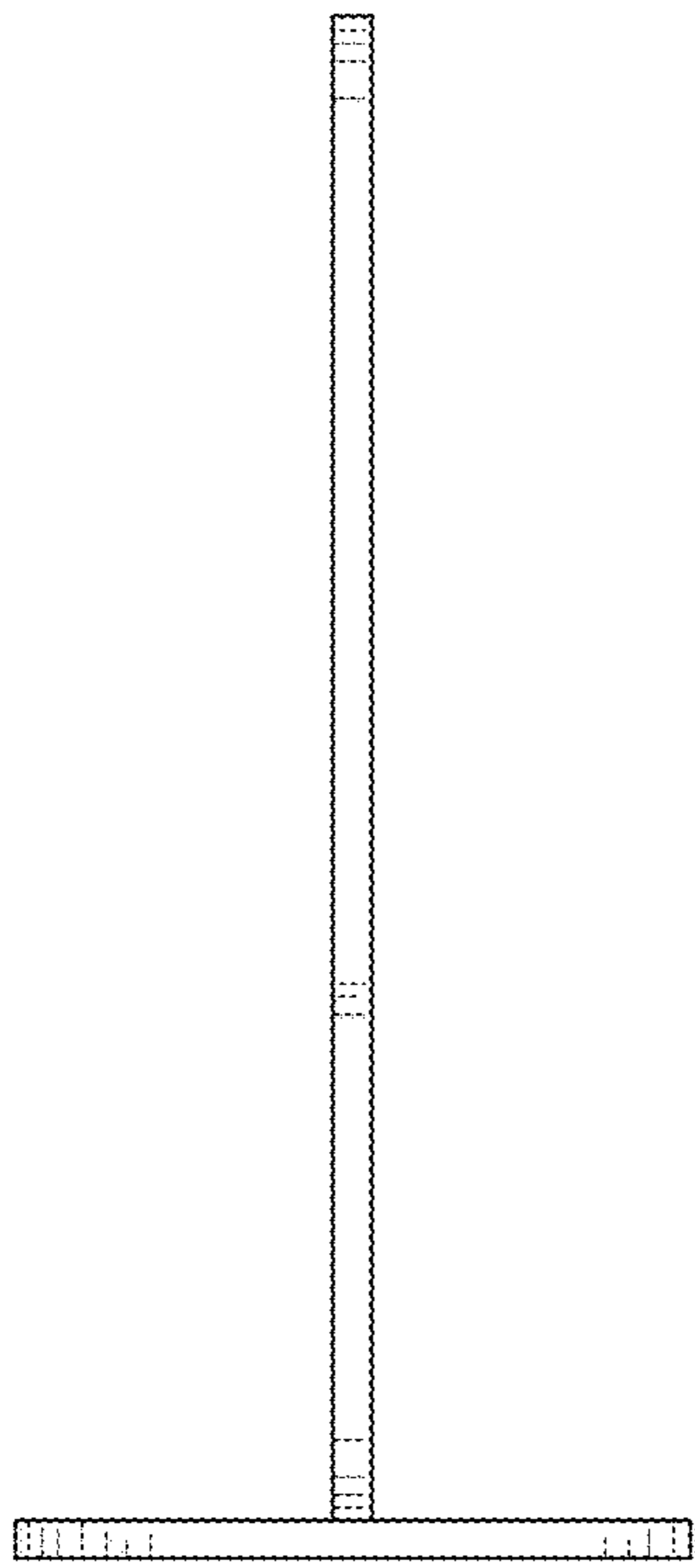


FIG 2

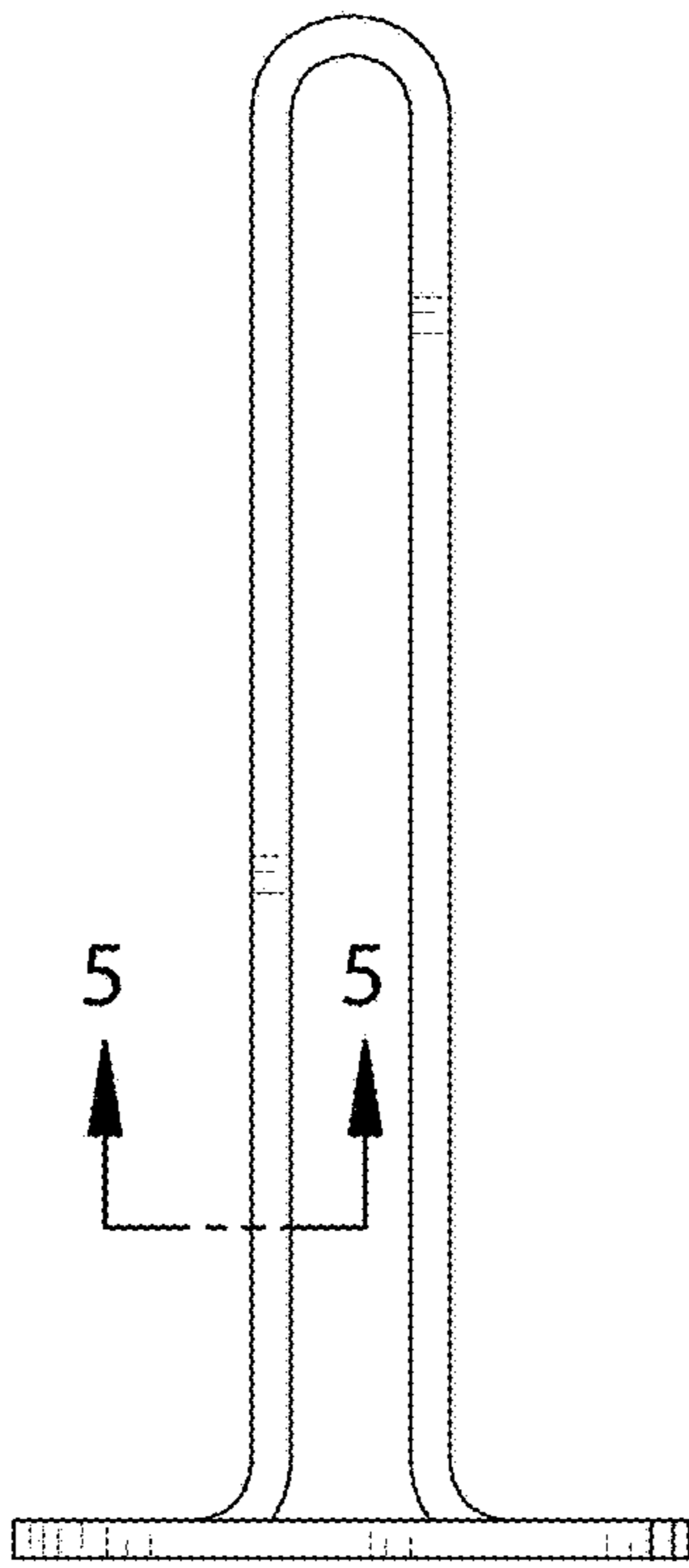


FIG 3

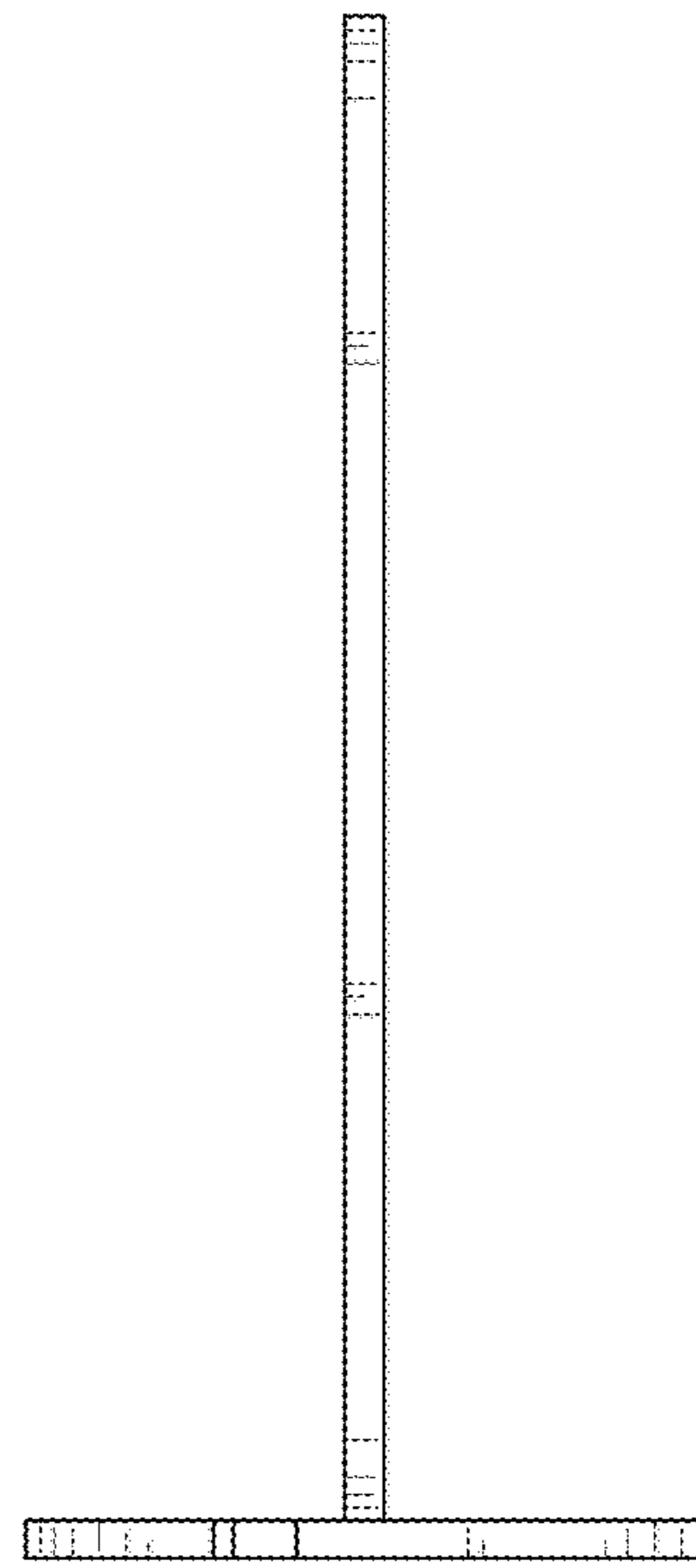


FIG 4

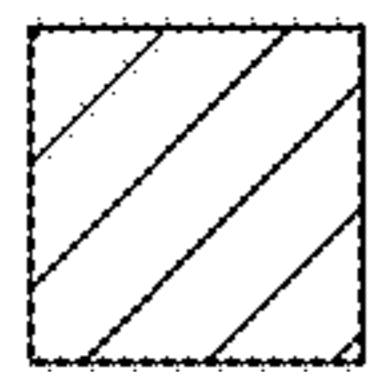


FIG 5

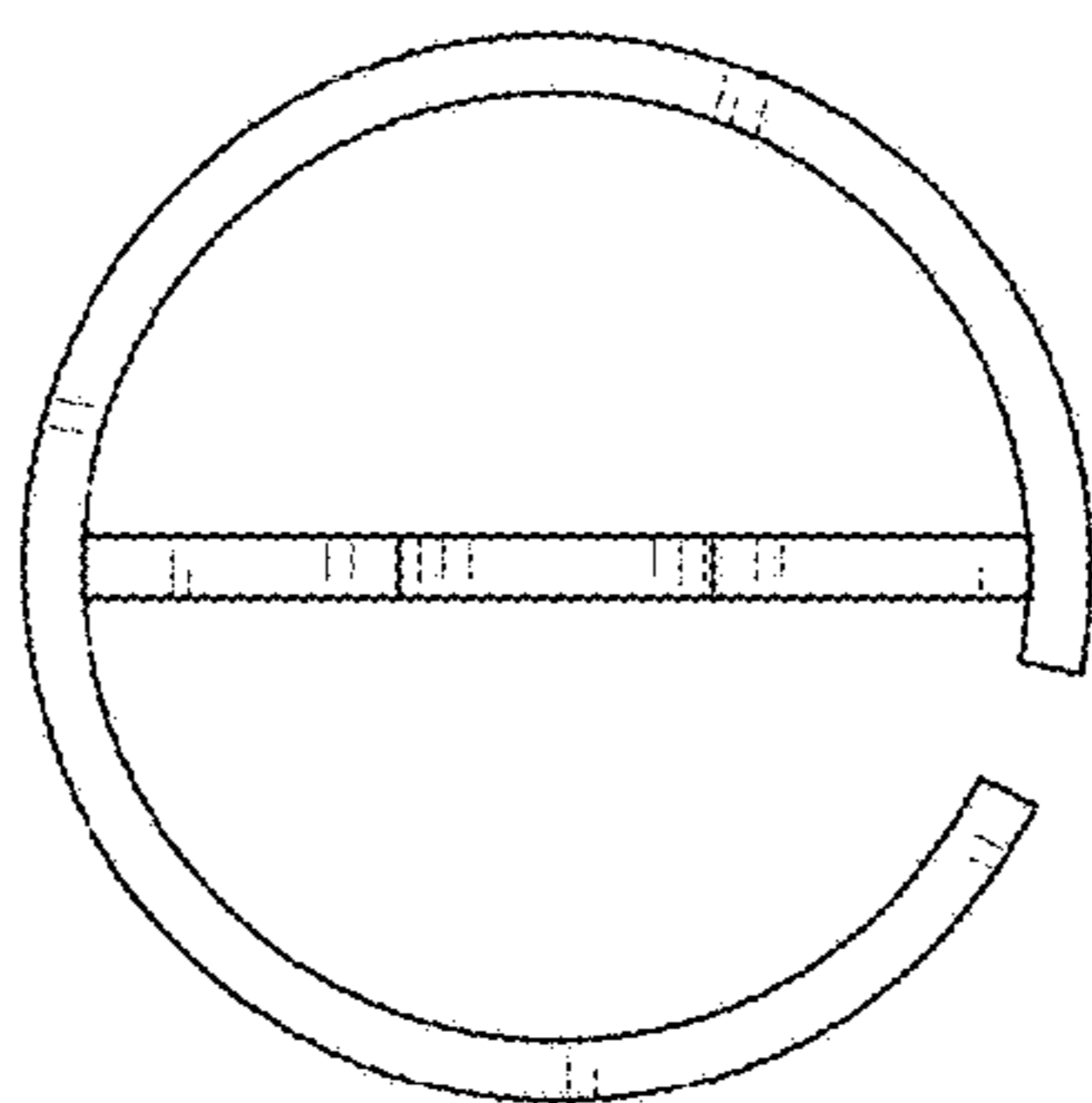


FIG 6

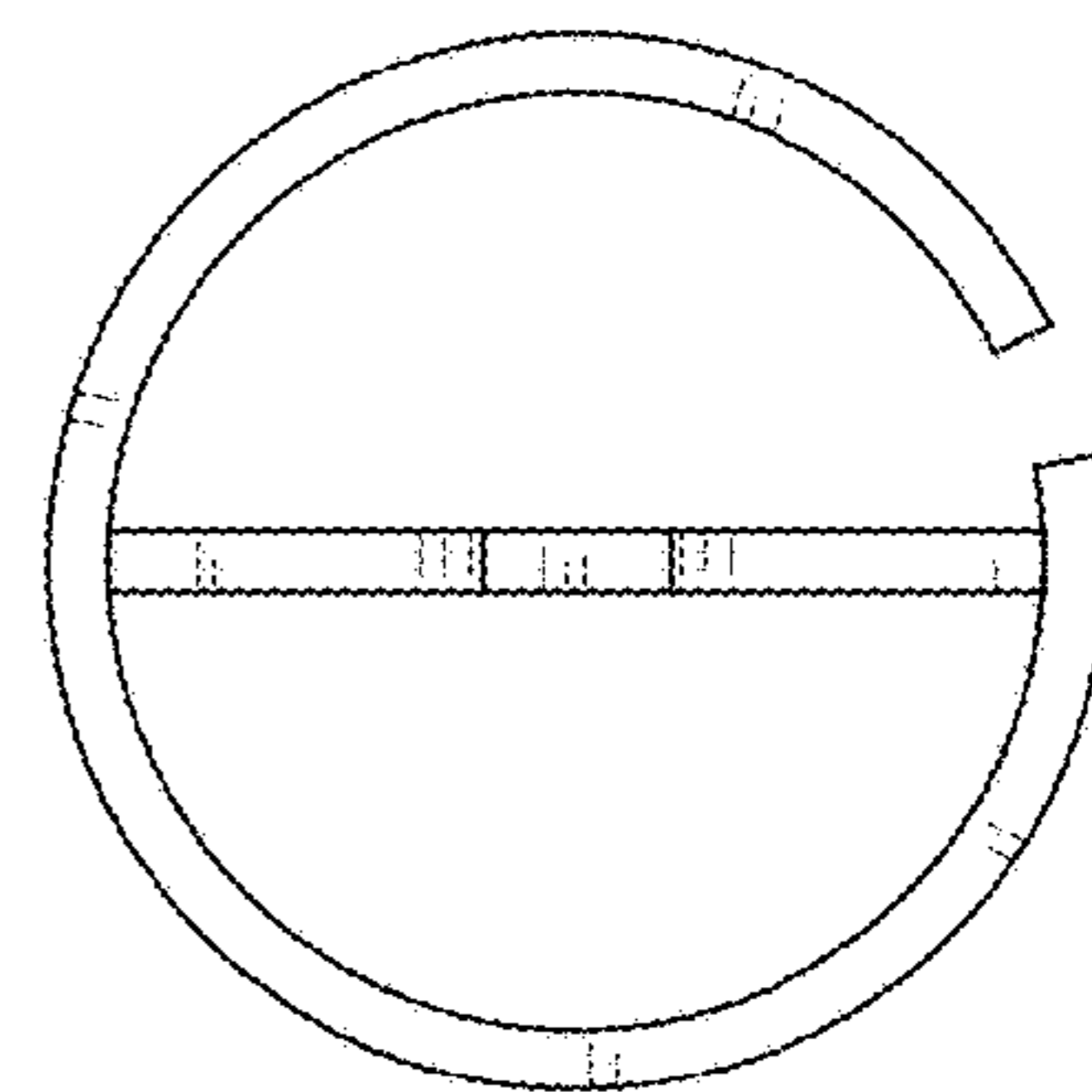


FIG 7