



US00D787224S

(12) **United States Design Patent** (10) **Patent No.:** **US D787,224 S**
Bracho (45) **Date of Patent:** **** May 23, 2017**

(54) **CONTAINMENT APPARATUS**

(71) Applicant: **Jodi Bracho**, North Wales, PA (US)

(72) Inventor: **Jodi Bracho**, North Wales, PA (US)

(**) Term: **15 Years**

(21) Appl. No.: **29/592,702**

(22) Filed: **Feb. 1, 2017**

(51) **LOC (10) Cl.** **06-01**

(52) **U.S. Cl.**
USPC **D6/512**

(58) **Field of Classification Search**

USPC D6/512, 300, 333, 335, 339, 390-392,
D6/491; D3/201, 304, 305, 306;
D12/129, 412, 419; D16/237, 239, 200,
D16/241; D26/118, 120-124
CPC B65D 21/086; B65D 11/18; B65D
2519/00587; B65D 37/00; B65D 1/225;
B65D 63/00; A45F 2003/205; A45F 3/20;
D06F 95/002; A61J 1/1493; A47G
2019/2277

See application file for complete search history.

(56) **References Cited**

U.S. PATENT DOCUMENTS

2,672,614	A	3/1954	Zimmerman	
2,767,403	A	10/1956	Givens	
4,456,302	A	6/1984	Knoedler et al.	
5,348,368	A	9/1994	Garcia et al.	
D398,161	S	9/1998	Rosenbaum	
D449,447	S *	10/2001	Kellogg	D3/306
6,360,761	B1	3/2002	Zheng	
D494,367	S *	8/2004	Yang	D3/305
D547,950	S *	8/2007	Kellogg	D3/305
7,716,749	B2	5/2010	Perazzo	
8,727,435	B2	5/2014	Centracco et al.	
2005/0247415	A1	11/2005	Conforti	

OTHER PUBLICATIONS

Everafterguide, Tray Haven High Chair and Stroller Adaptable Containment Barrier—Blue, Mar. 24, 2017, Everafterguide.com, URL:https://www.everafterguide.com/tray-haven-high-chair-and-stroller-adaptable-containment-barrier-blue-9a56e27e45dcbb06.html, 1 page, retrieved on Mar. 24, 2017.*

* cited by examiner

Primary Examiner — Wan Laymon

Assistant Examiner — Mark Booker

(74) *Attorney, Agent, or Firm* — Design IP

(57) **CLAIM**

The ornamental design for a containment apparatus, as shown and described.

DESCRIPTION

FIG. 1 is a front perspective view of a containment apparatus showing my new design;

FIG. 2 is a front view thereof;

FIG. 3 is a rear view thereof;

FIG. 4 is a left side view thereof;

FIG. 5 is a right side view thereof;

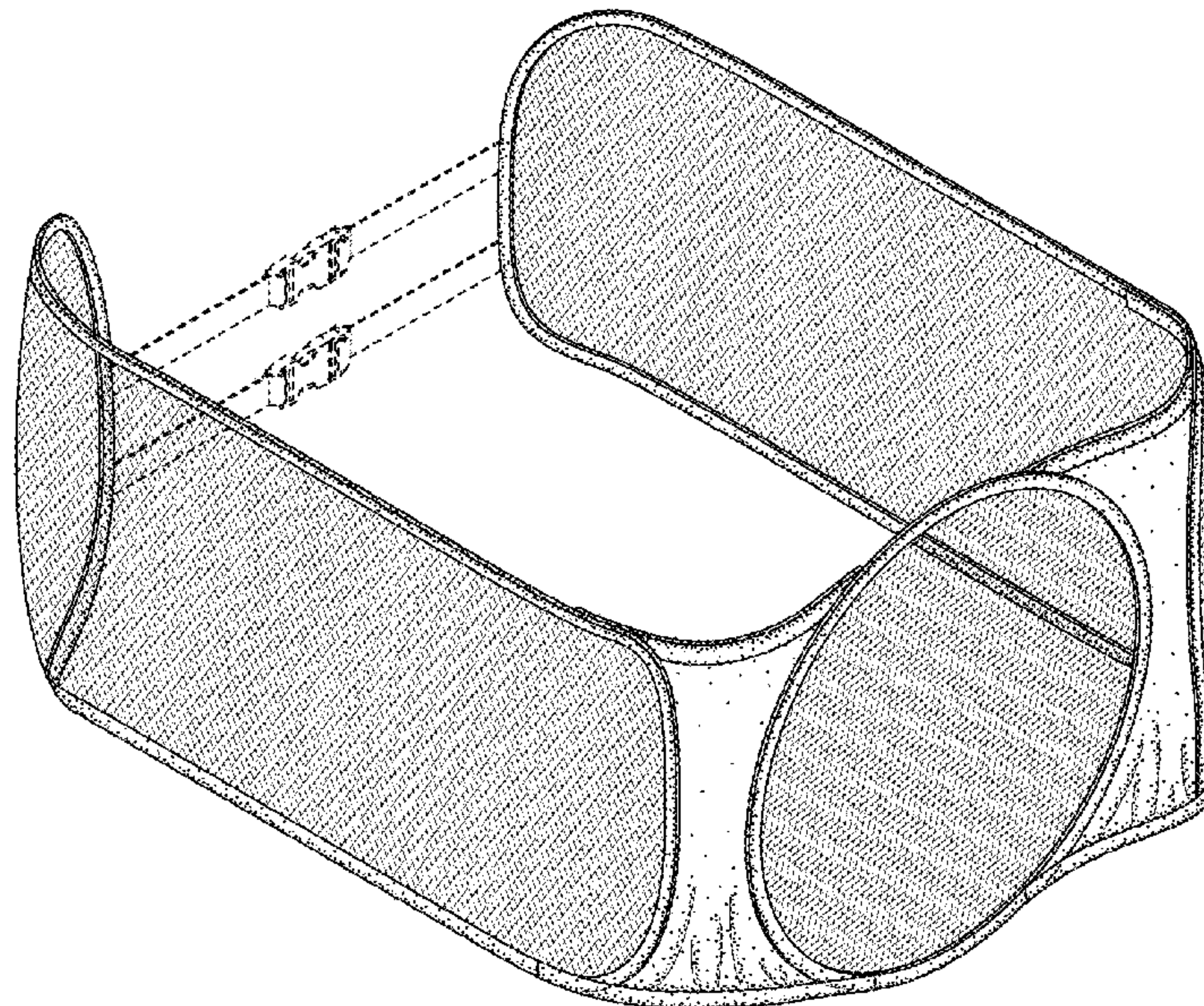
FIG. 6 is a top view thereof;

FIG. 7 is a bottom view thereof; and,

FIG. 8 is an additional front perspective view thereof, showing additional environmental subject matter with which the claimed design may be used.

The broken line showing of portions of the containment apparatus in FIGS. 1-3, and 6-8 represents environmental subject matter and forms no part of the claimed design. The broken line showing of a high chair in FIG. 8 represents environmental subject matter and forms no part of the claimed design.

1 Claim, 8 Drawing Sheets



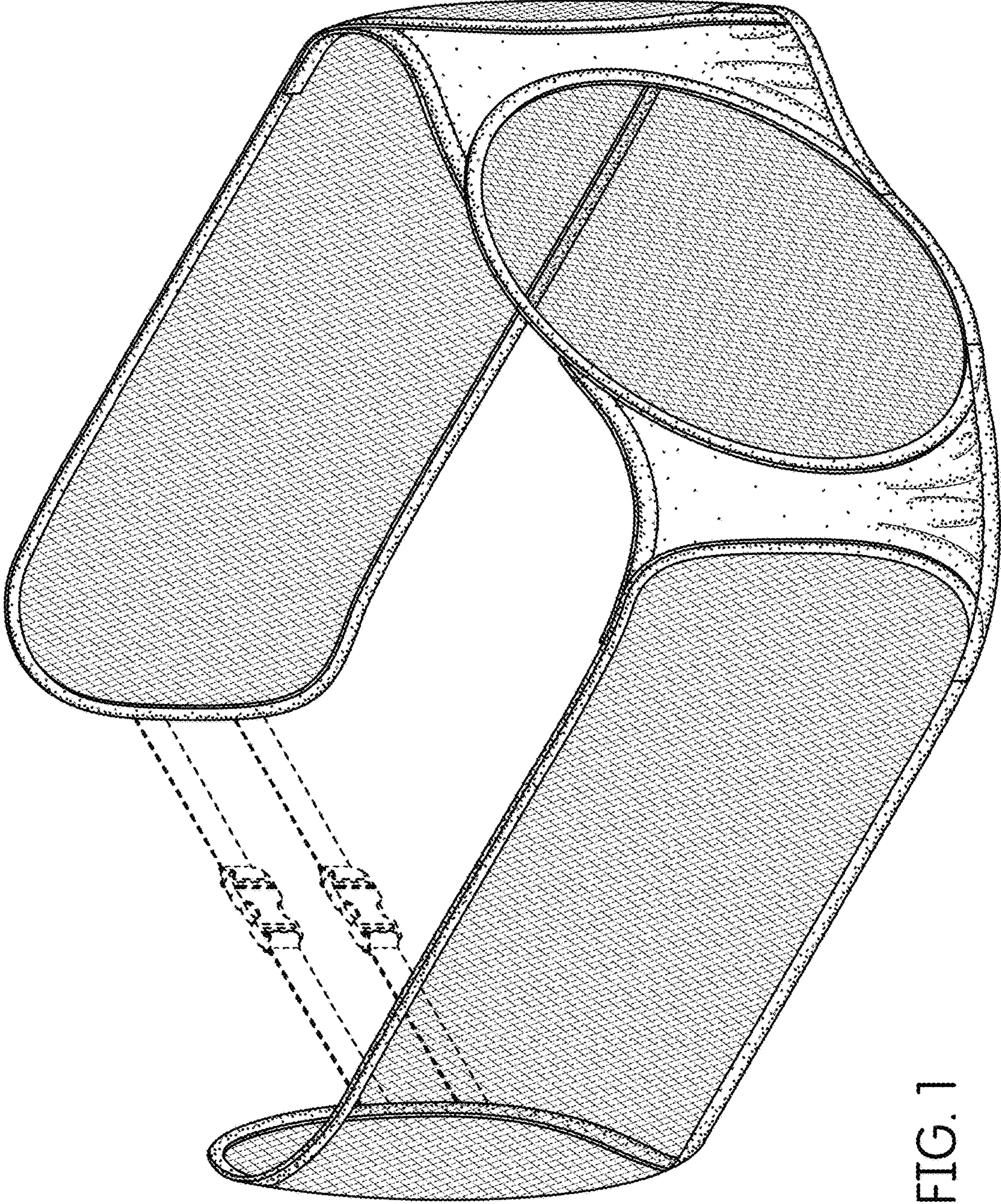


FIG. 1

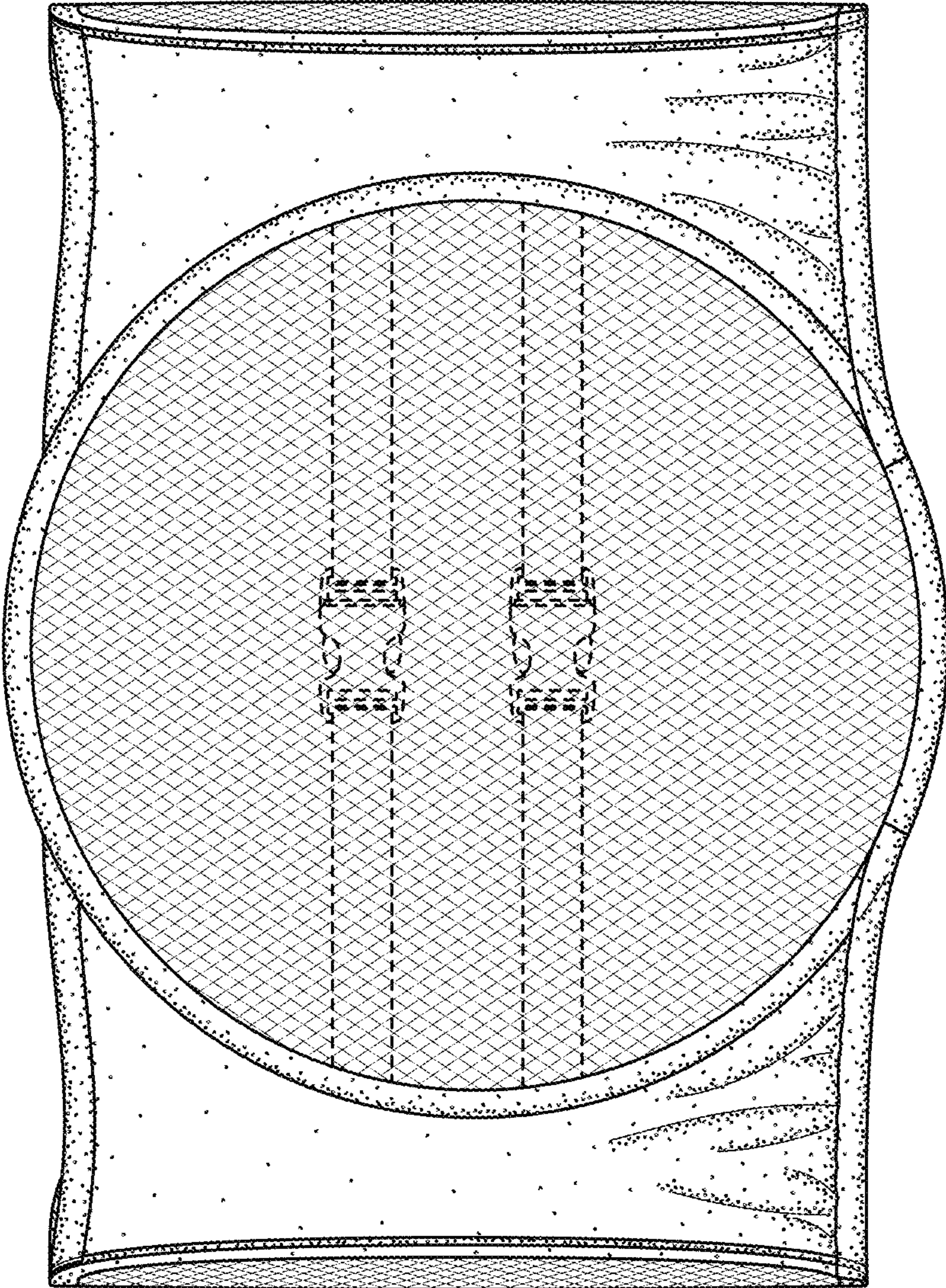


FIG. 2

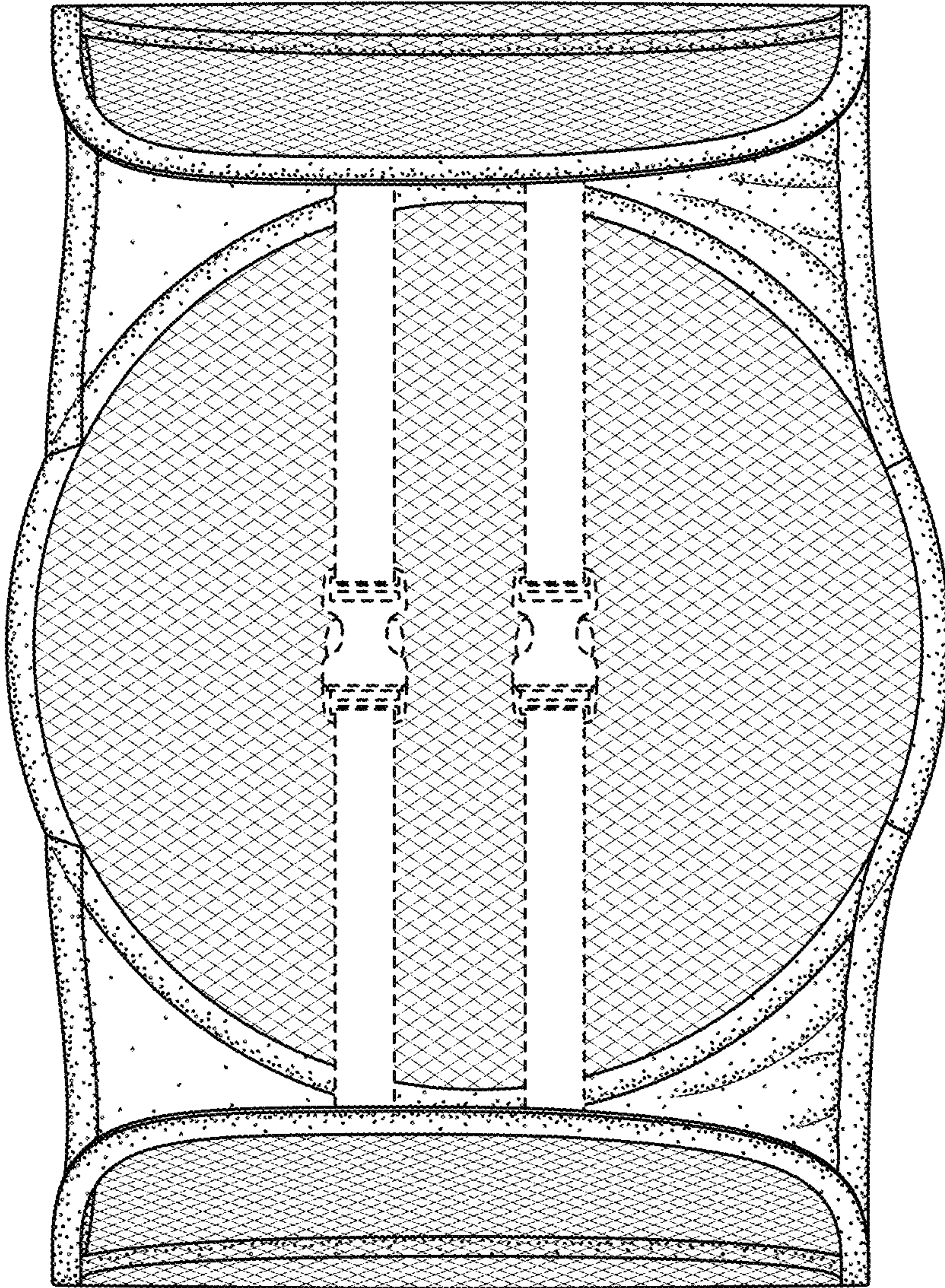


FIG. 3

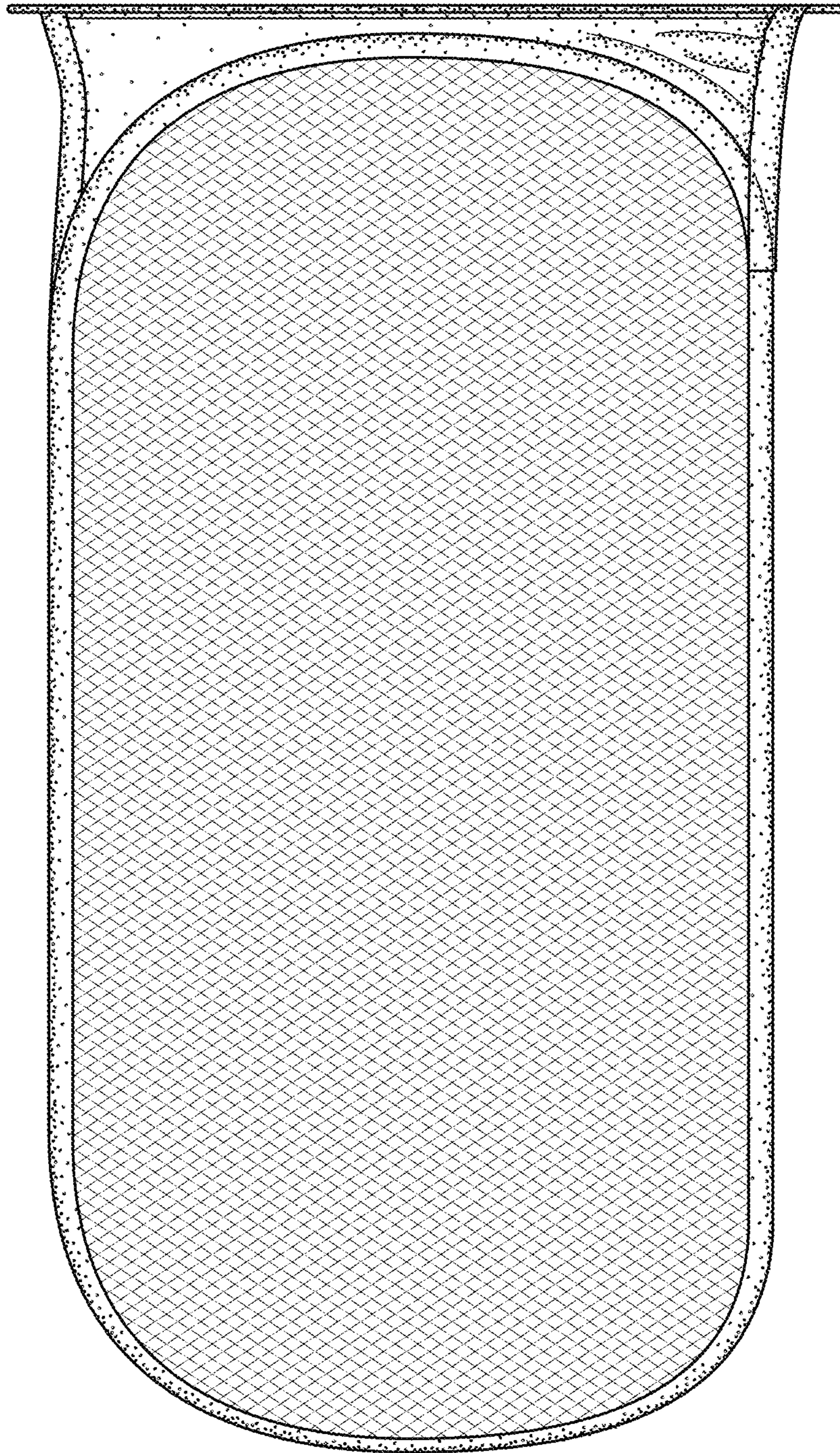


FIG. 4

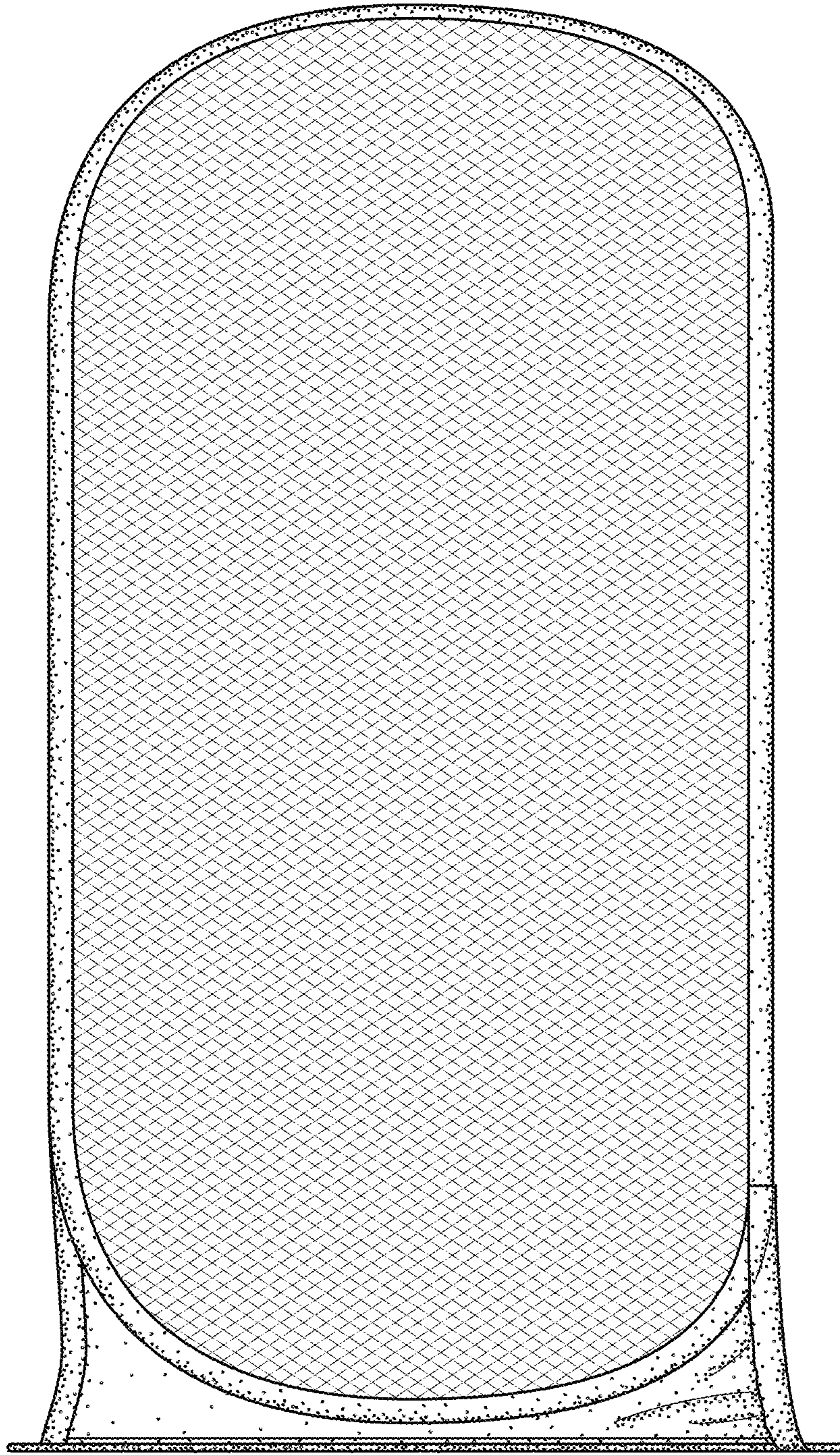


FIG. 5

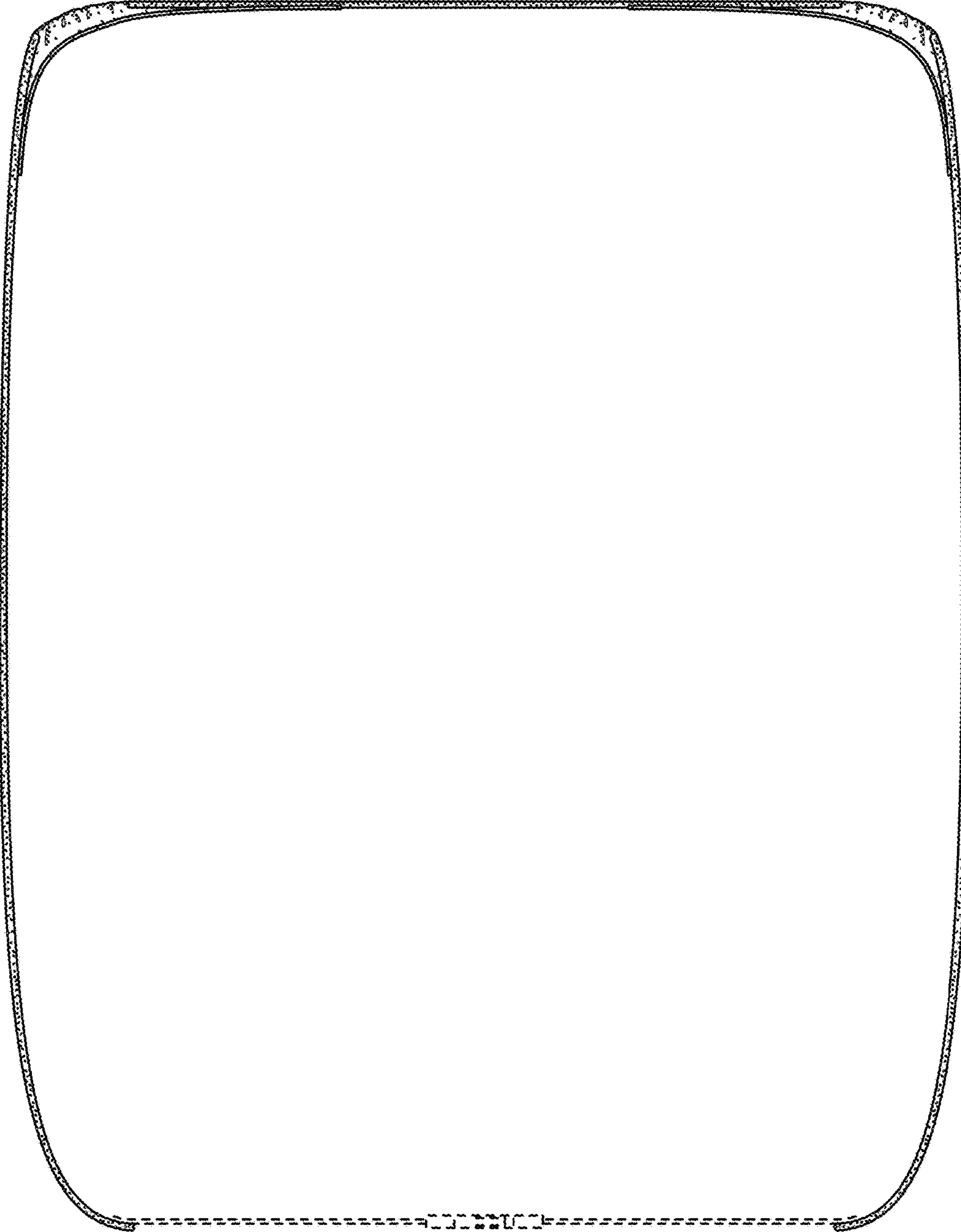


FIG. 6

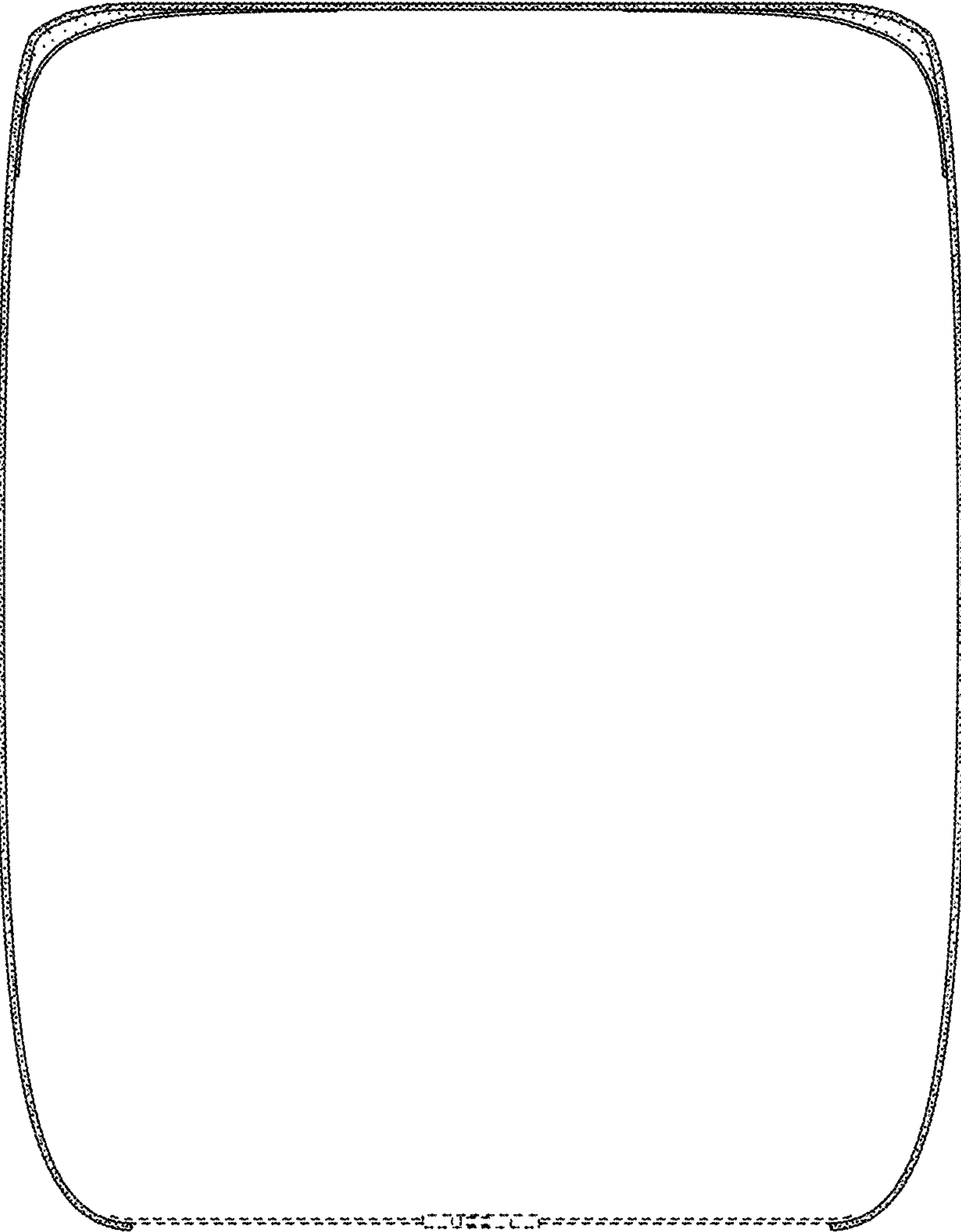


FIG. 7

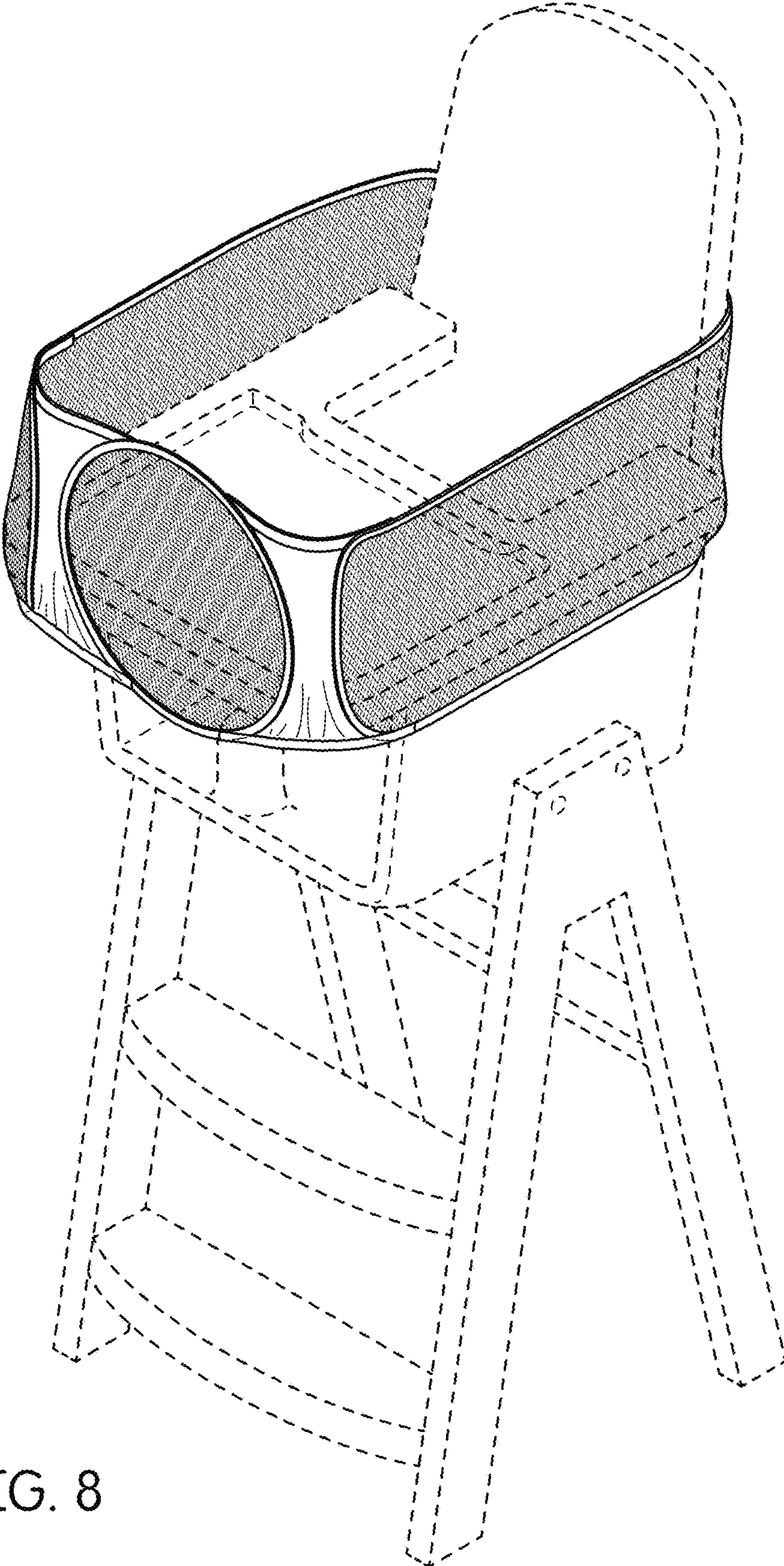


FIG. 8