



US00D787223S

(12) **United States Design Patent** (10) **Patent No.:** **US D787,223 S**
Lu (45) **Date of Patent:** **** May 23, 2017**

(54) **MULTIFUNCTIONAL TABLE BOARD**
(71) Applicant: **Dongguan Weihong Hardware and Plastic Products Co., Ltd.**, Dongguan (CN)
(72) Inventor: **Wei Lu**, Dongguan (CN)
(73) Assignee: **DONGGUAN WEIHONG HARDWARE AND PLASTIC PRODUCTS CO., LTD.**, Dongguan (CN)

D380,944 S * 7/1997 Nielsen D12/425
D382,746 S * 8/1997 Meier D6/406.1
D445,395 S * 7/2001 Okerlund D12/400
D472,728 S * 4/2003 Harris D6/406.3
D481,350 S * 10/2003 McCoy D12/400
D588,830 S * 3/2009 Chochinov D6/406.3
D626,239 S * 10/2010 Lia D24/185
D714,073 S * 9/2014 Pittman D6/406.2
8,979,190 B2 * 3/2015 Madrigal A47C 7/70
297/161
D731,219 S * 6/2015 Spoelhof D6/341
D739,665 S * 9/2015 Kapp D6/513
D749,869 S * 2/2016 Wenji D6/406.2
D772,235 S * 11/2016 McGrath D14/447

(**) Term: **15 Years**

* cited by examiner

(21) Appl. No.: **29/552,822**

Primary Examiner — Kelley Donnelly

(22) Filed: **Jan. 26, 2016**

(74) *Attorney, Agent, or Firm* — Shimokaji IP

(51) **LOC (10) Cl.** **06-06**

(52) **U.S. Cl.**
USPC **D6/406.2**

(57) **CLAIM**

The ornamental design for a multifunctional table board, as shown and described.

(58) **Field of Classification Search**
USPC D6/512–514, 553, 685–686, 691, 704, D6/707.19, 716.12; D12/400, 415–416; D7/545, 550.1, 554.3, 554.4, 698
CPC A47G 23/06; A47G 23/08; A47G 29/093
See application file for complete search history.

DESCRIPTION

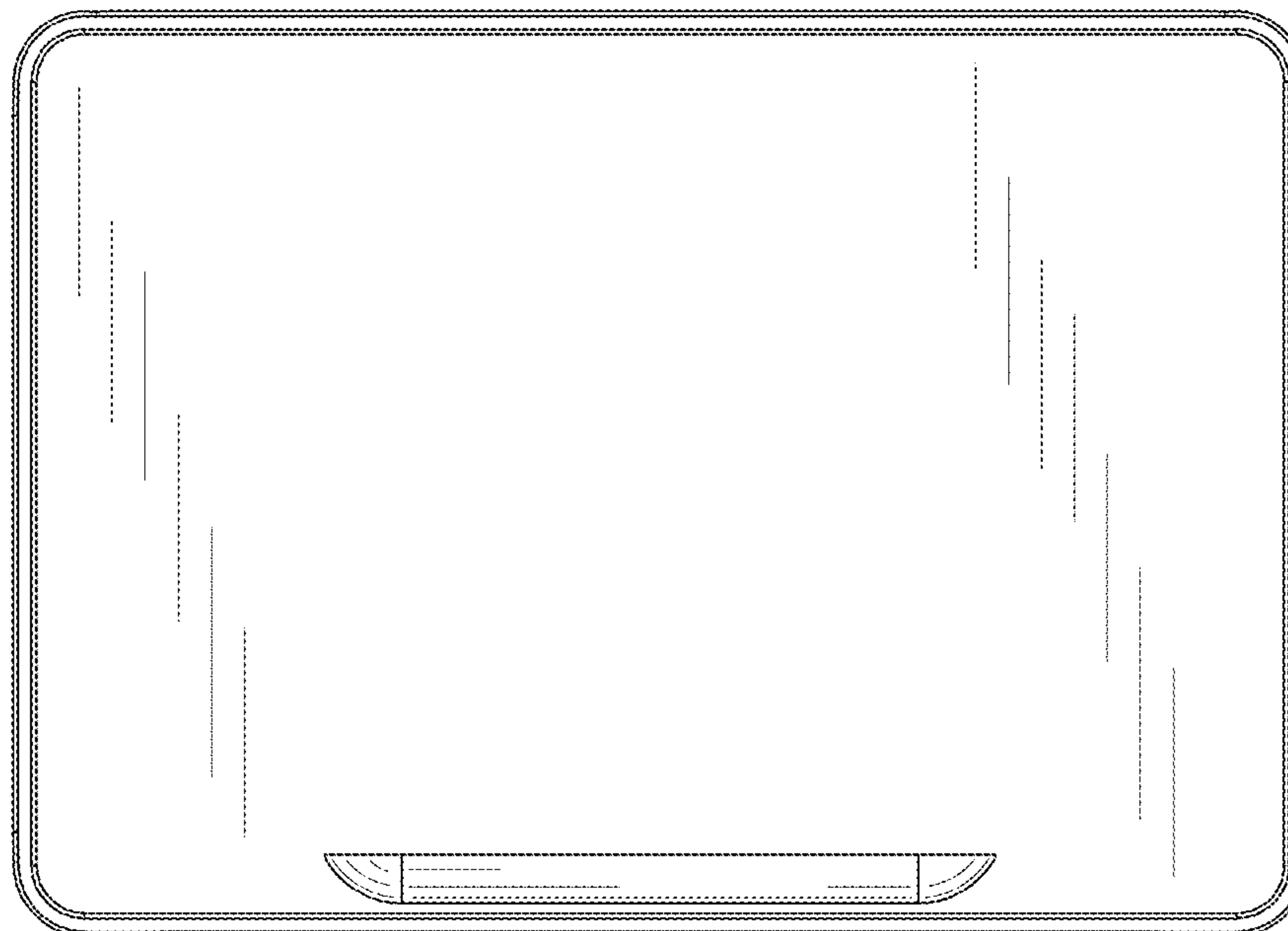
FIG. 1 is a front view of a multifunctional table board showing my new design;
FIG. 2 is a rear view thereof;
FIG. 3 is a left side view thereof;
FIG. 4 is a right side view thereof;
FIG. 5 is a top plan view thereof;
FIG. 6 is a bottom plan view thereof;
FIG. 7 is a first perspective view thereof; and,
FIG. 8 is a second perspective view thereof.
The portion shown in broken lines is for illustrative purposes only and forms no part of the claimed design.

(56) **References Cited**

U.S. PATENT DOCUMENTS

3,026,159 A * 3/1962 Miller B25H 3/06
108/1
D273,070 S * 3/1984 Welsch D6/707.19
D323,560 S * 1/1992 Boyce D24/183
D377,275 S * 1/1997 Diletto D6/406.2

1 Claim, 4 Drawing Sheets



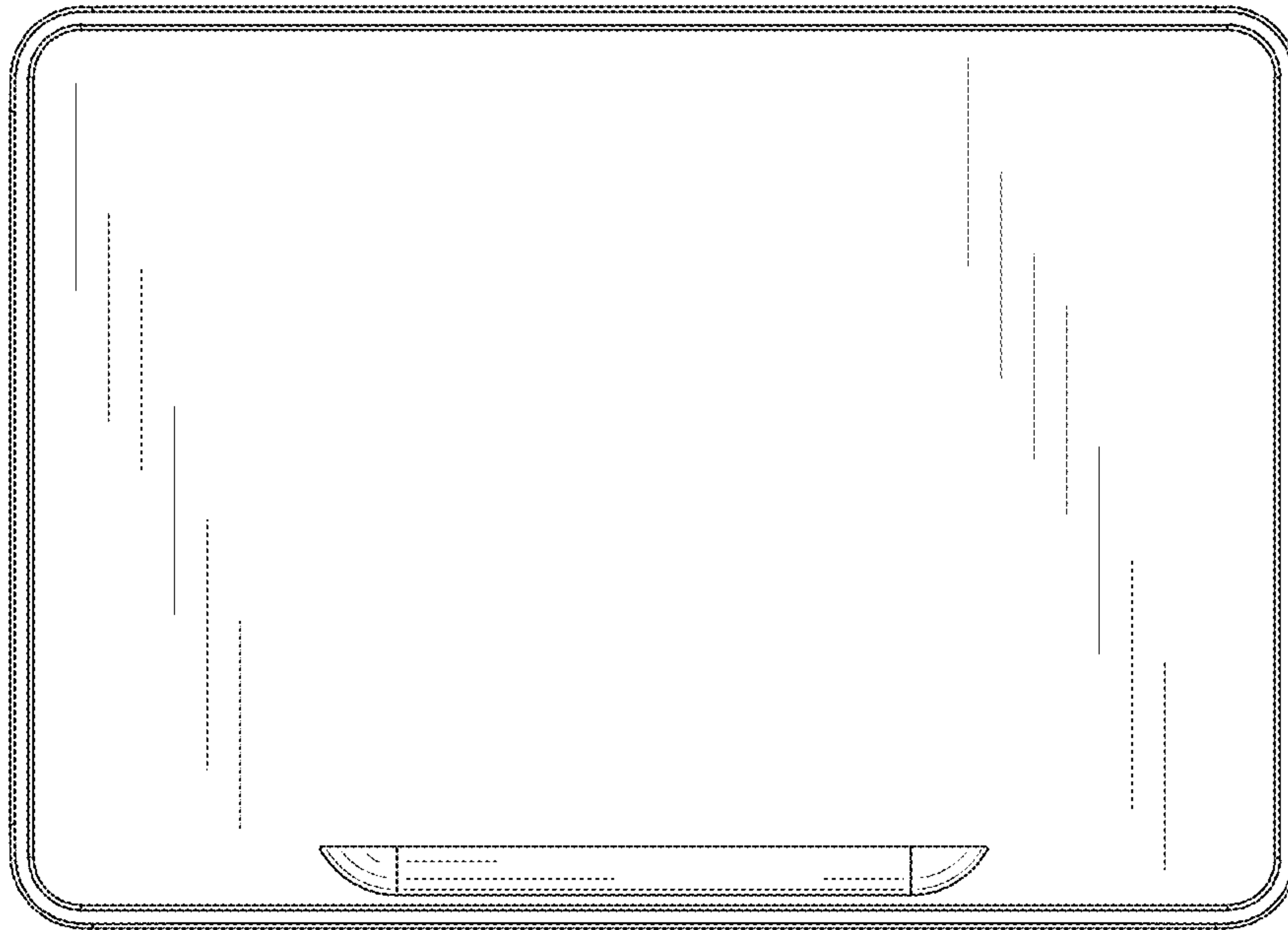


FIG. 1

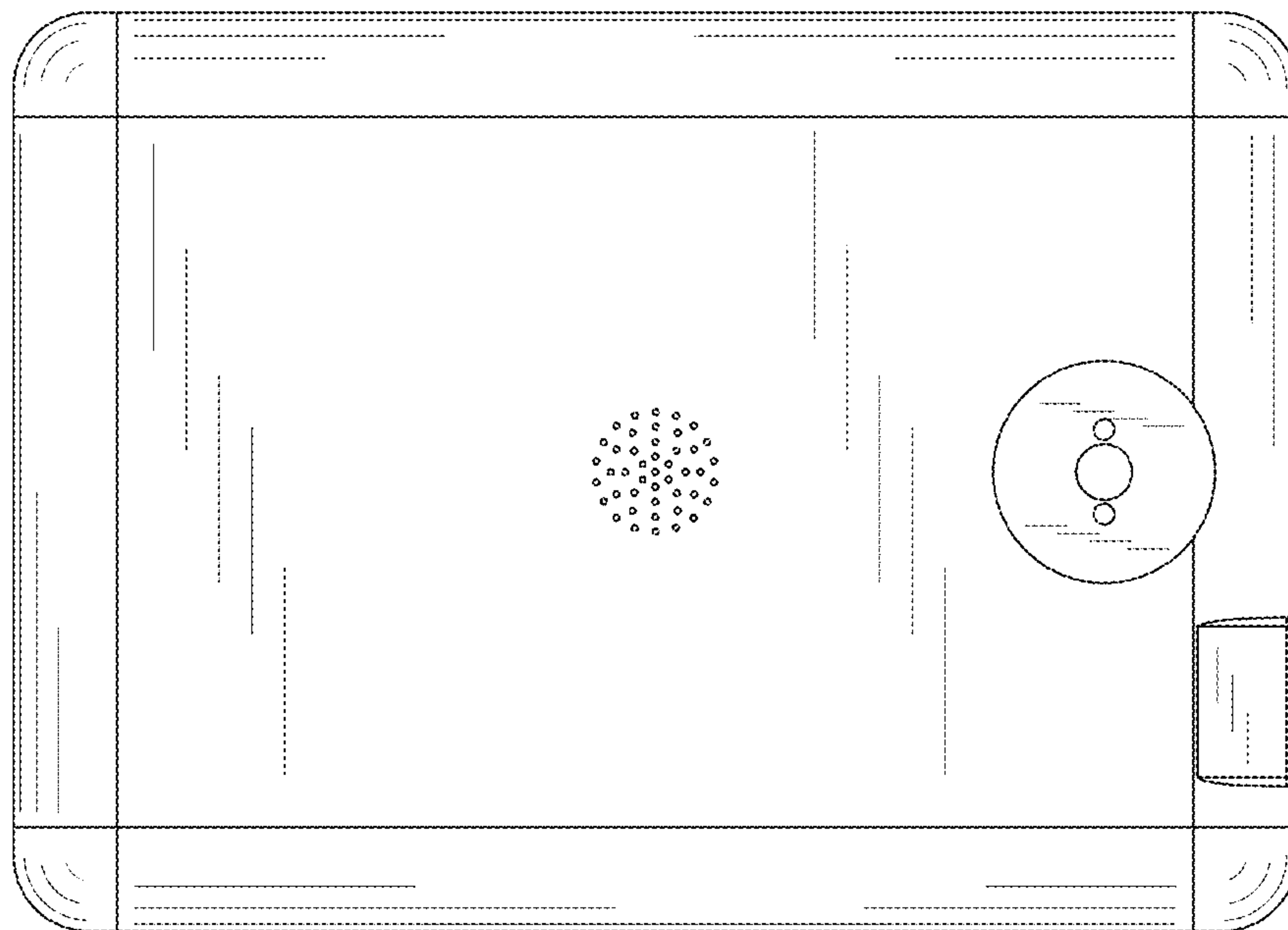


FIG. 2

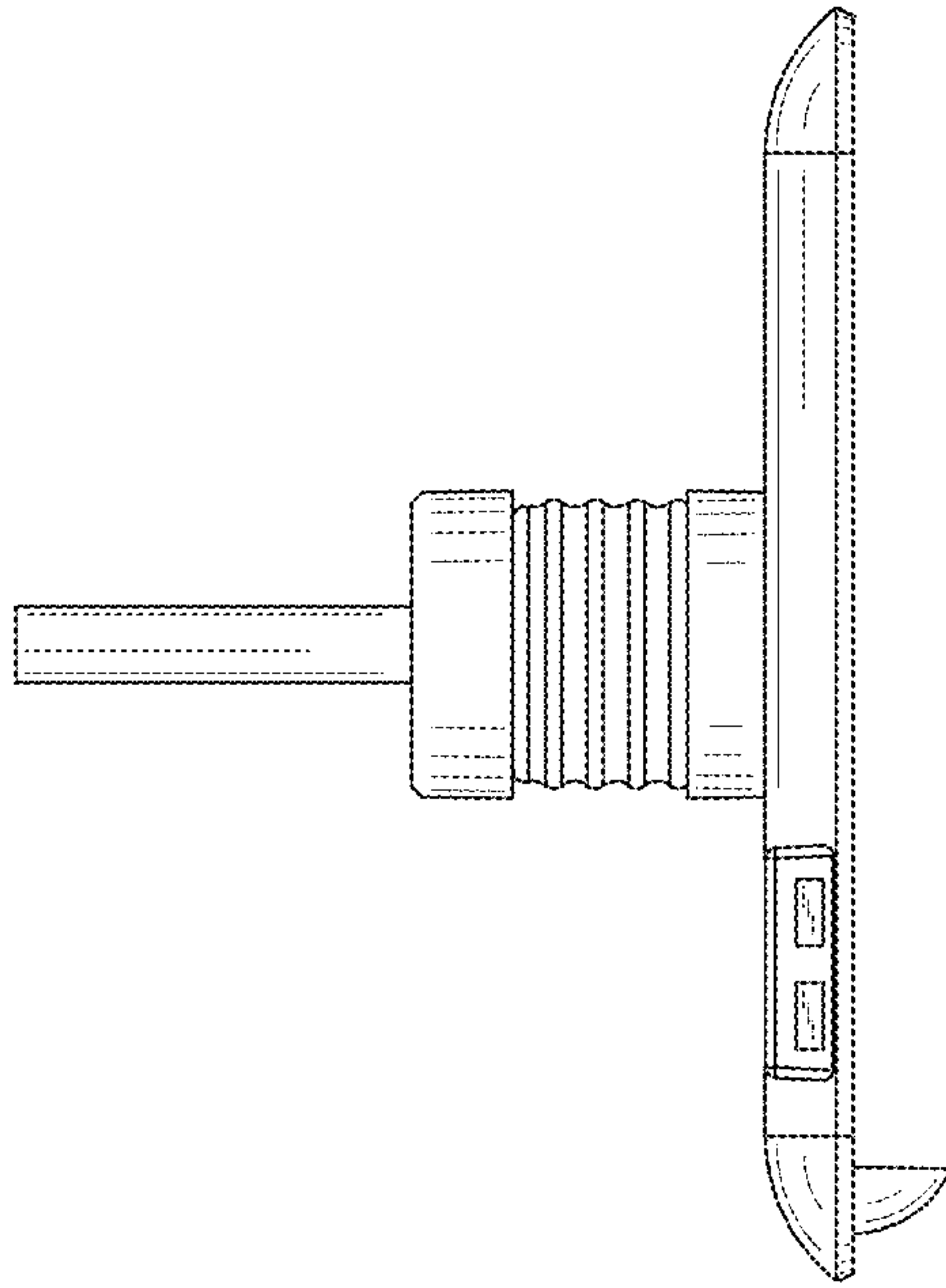


FIG.3

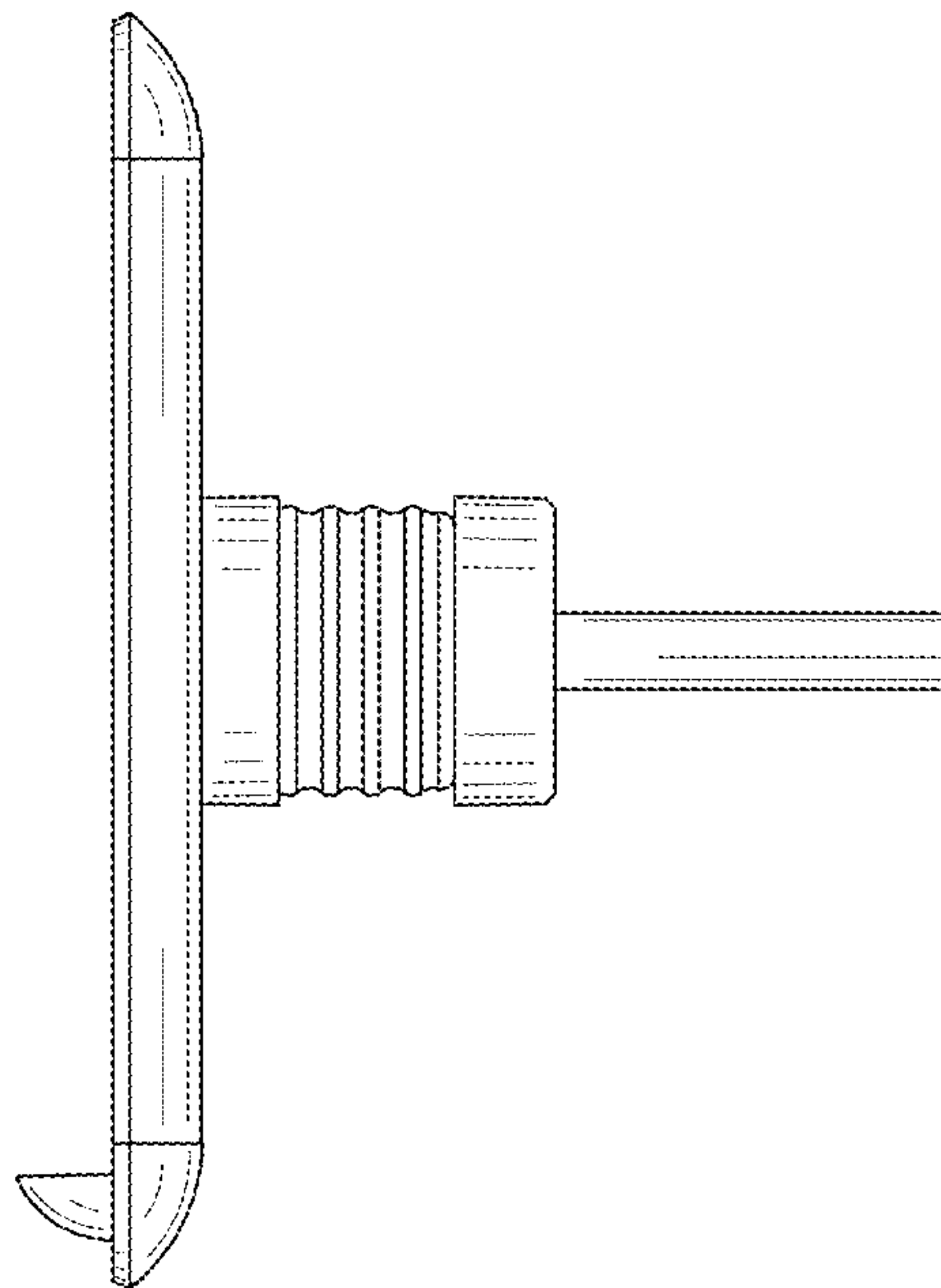


FIG.4

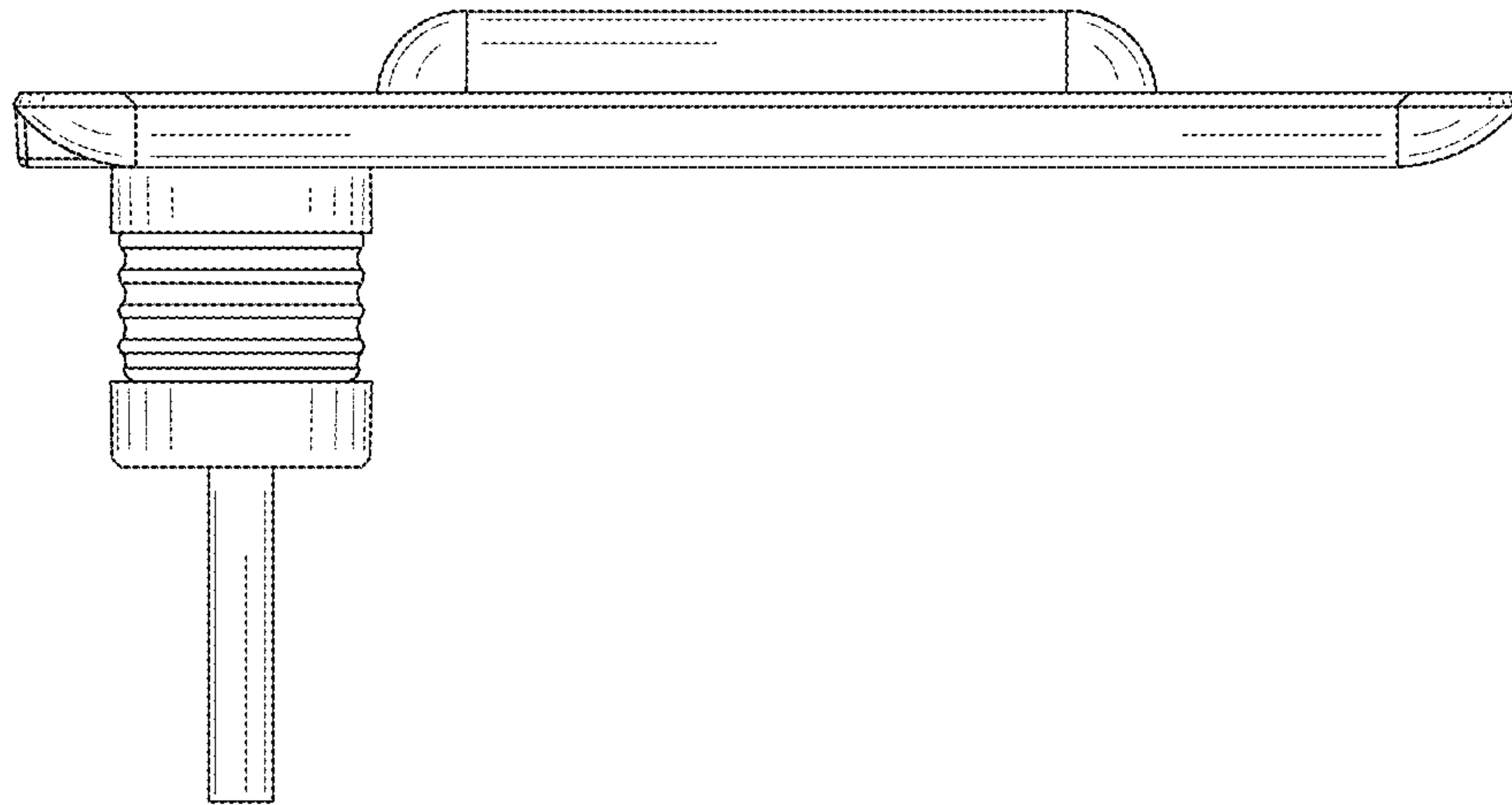


FIG. 5

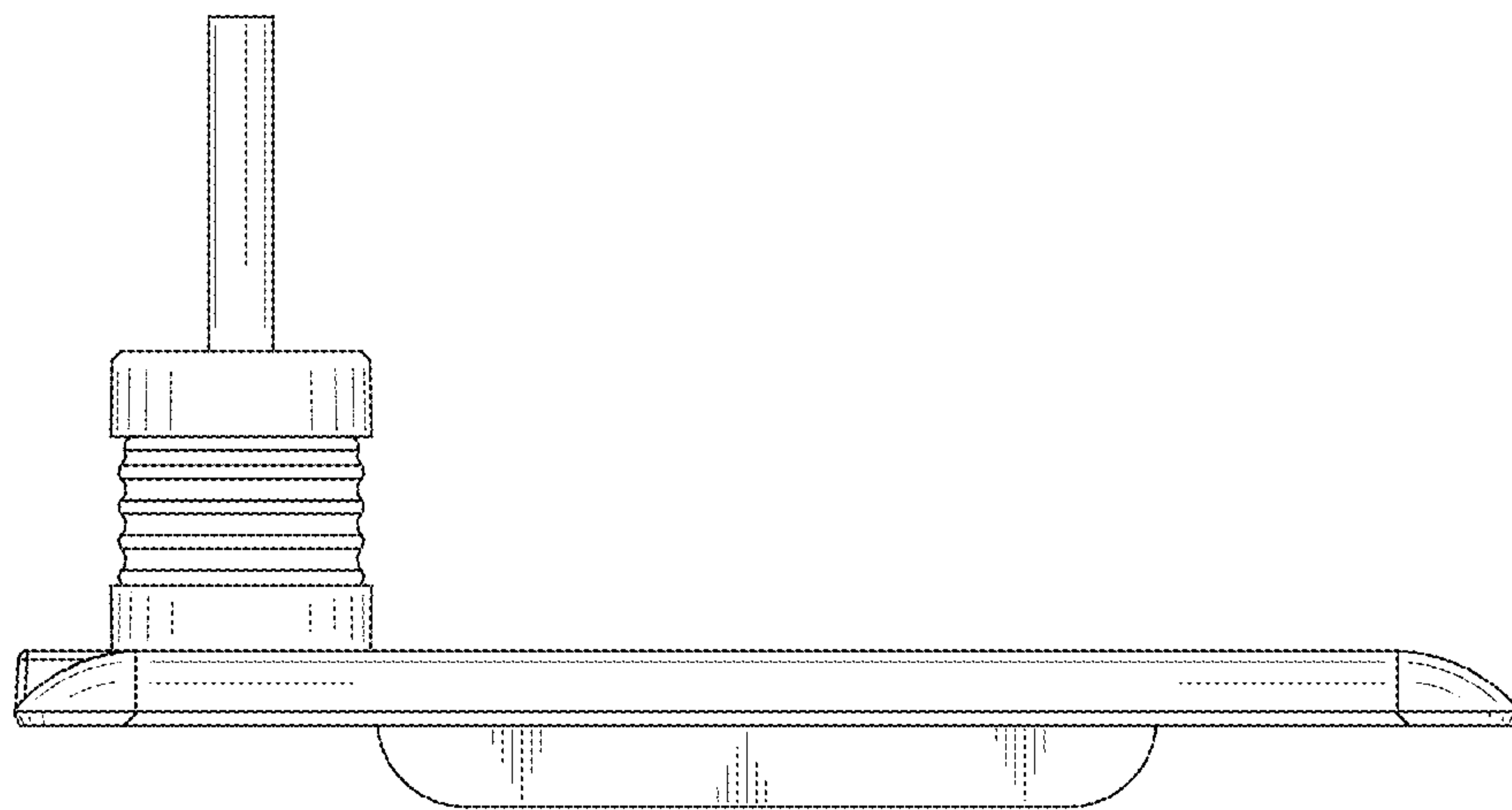


FIG. 6

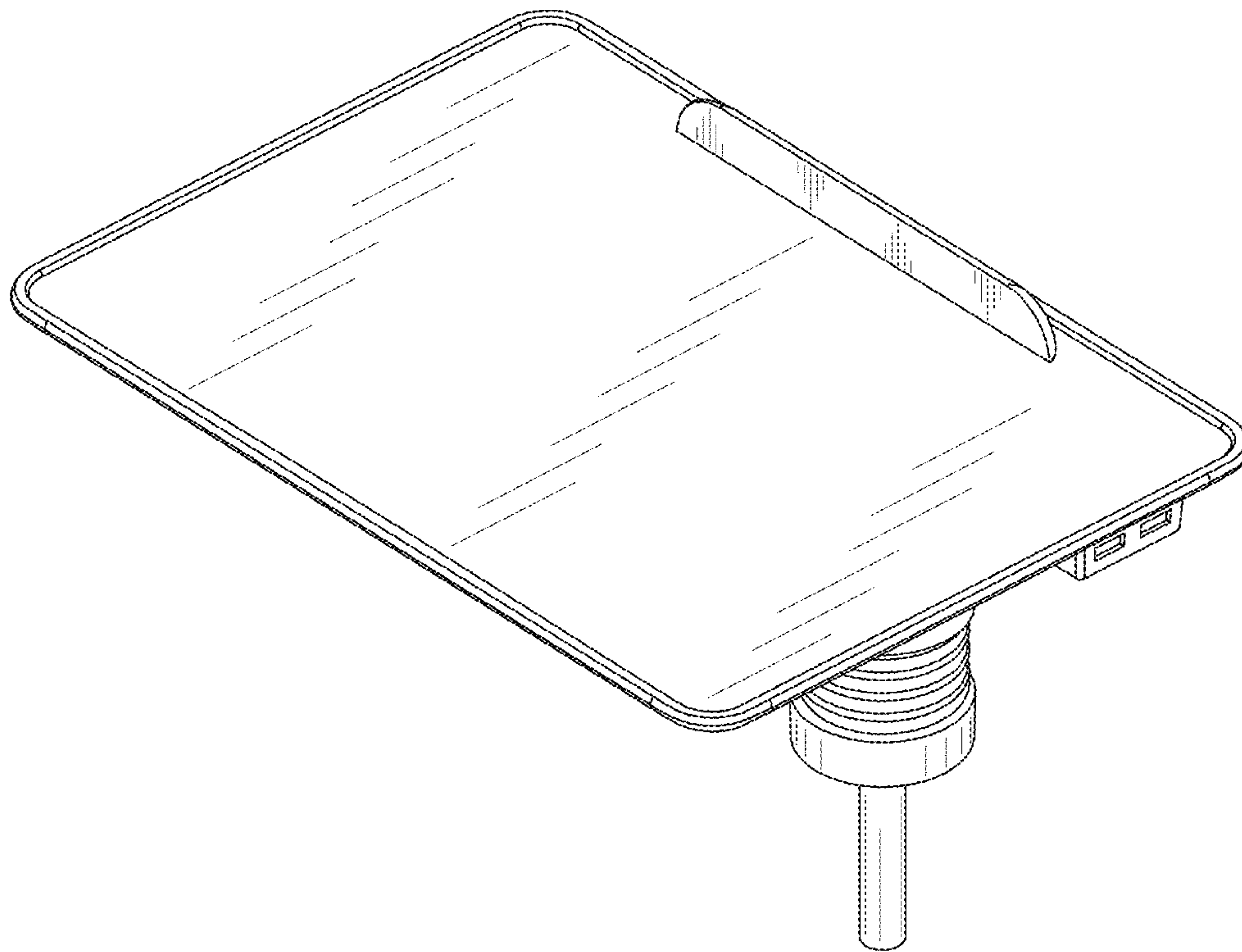


FIG. 7

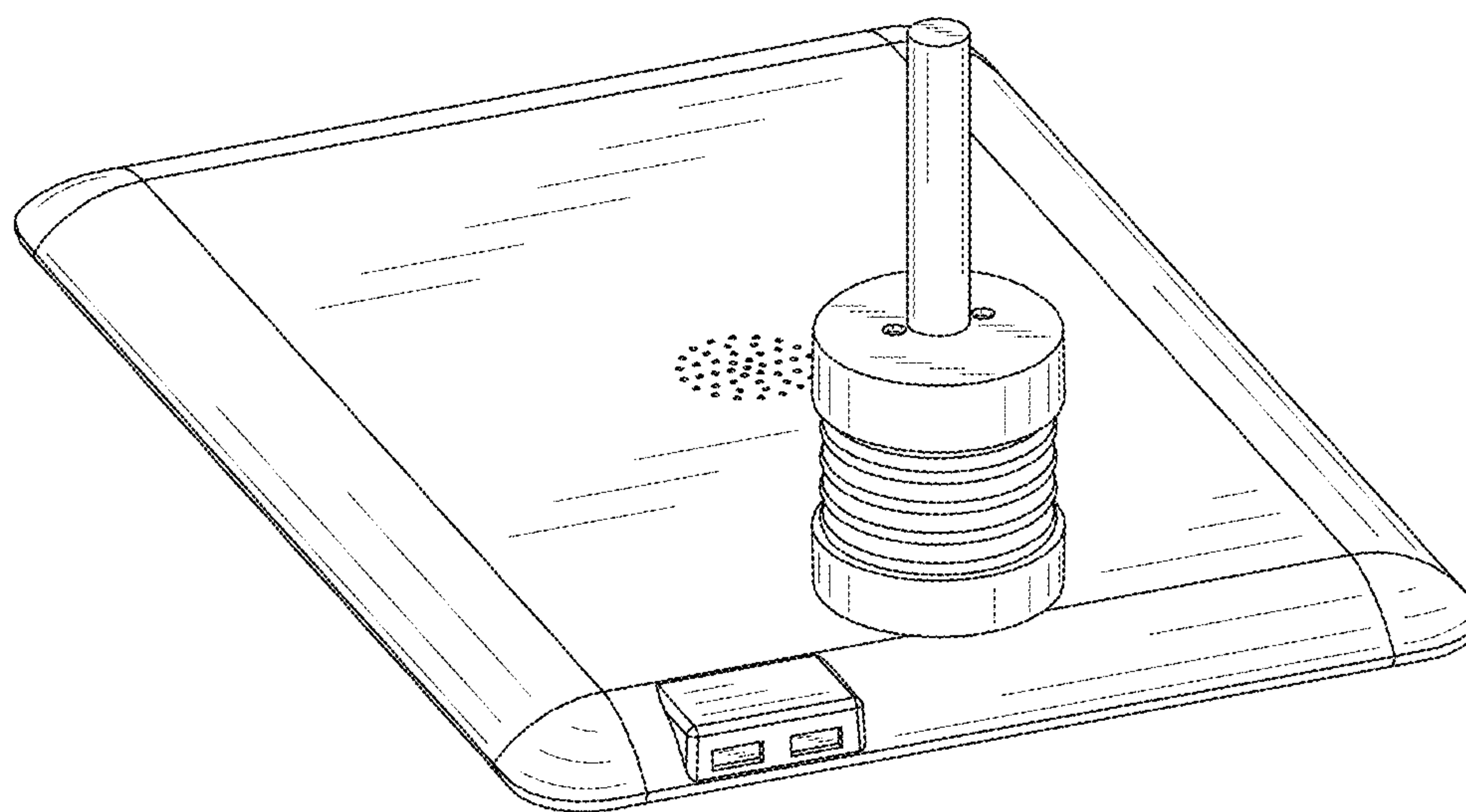


FIG. 8