



US00D787219S

(12) **United States Design Patent**
Bettin

(10) **Patent No.:** **US D787,219 S**

(45) **Date of Patent:** **** May 23, 2017**

(54) **CHAIR**

(71) Applicant: **Dario Bettin**, Bari (IT)

(72) Inventor: **Dario Bettin**, Bari (IT)

(**) Term: **15 Years**

(21) Appl. No.: **29/537,969**

(22) Filed: **Aug. 31, 2015**

(51) **LOC (10) Cl.** **06-01**

(52) **U.S. Cl.**
USPC **D6/380; D6/379**

(58) **Field of Classification Search**
USPC D6/364–368, 374, 716, 379–380; 297/56,
297/135, 284.4, 344.19, 353, 411.2,
297/452.18, 452.24, 452.26, 452.28,
297/452.32–452.33, 452.37
CPC A47C 7/02; A47C 7/44; A47C 7/46; A47C
7/48; A47C 7/54; A47C 7/386; A47C
7/462; A47C 1/10; A47C 1/031; B60N
2/02; B60N 2/22; B60N 2/44
See application file for complete search history.

(56) **References Cited**

U.S. PATENT DOCUMENTS

D332,707 S * 1/1993 Muller D6/373
D430,976 S * 9/2000 Tow D6/368
D433,578 S * 11/2000 Saul D6/373

D463,149 S * 9/2002 Levy D6/375
D475,211 S * 6/2003 Neil D6/374
D481,550 S * 11/2003 Astle D6/374
D482,540 S * 11/2003 Ashby D6/374
D541,068 S * 4/2007 Foster D6/374
D565,856 S * 4/2008 Kimmel D6/368
D593,761 S * 6/2009 Kaloustian D6/374
8,132,860 B2 * 3/2012 Fookes A47C 7/54
297/411.2
D731,805 S * 6/2015 Citterio D6/373
2015/0137566 A1 * 5/2015 Wagner A47C 7/021
297/135
2015/0230614 A1 * 8/2015 Leng A47C 7/02
297/56

* cited by examiner

Primary Examiner — Manpreet Matharu

Assistant Examiner — Keith Wilson

(74) *Attorney, Agent, or Firm* — Egbert Law Offices,
PLLC

(57) **CLAIM**

The ornamental design for a chair, as shown and described.

DESCRIPTION

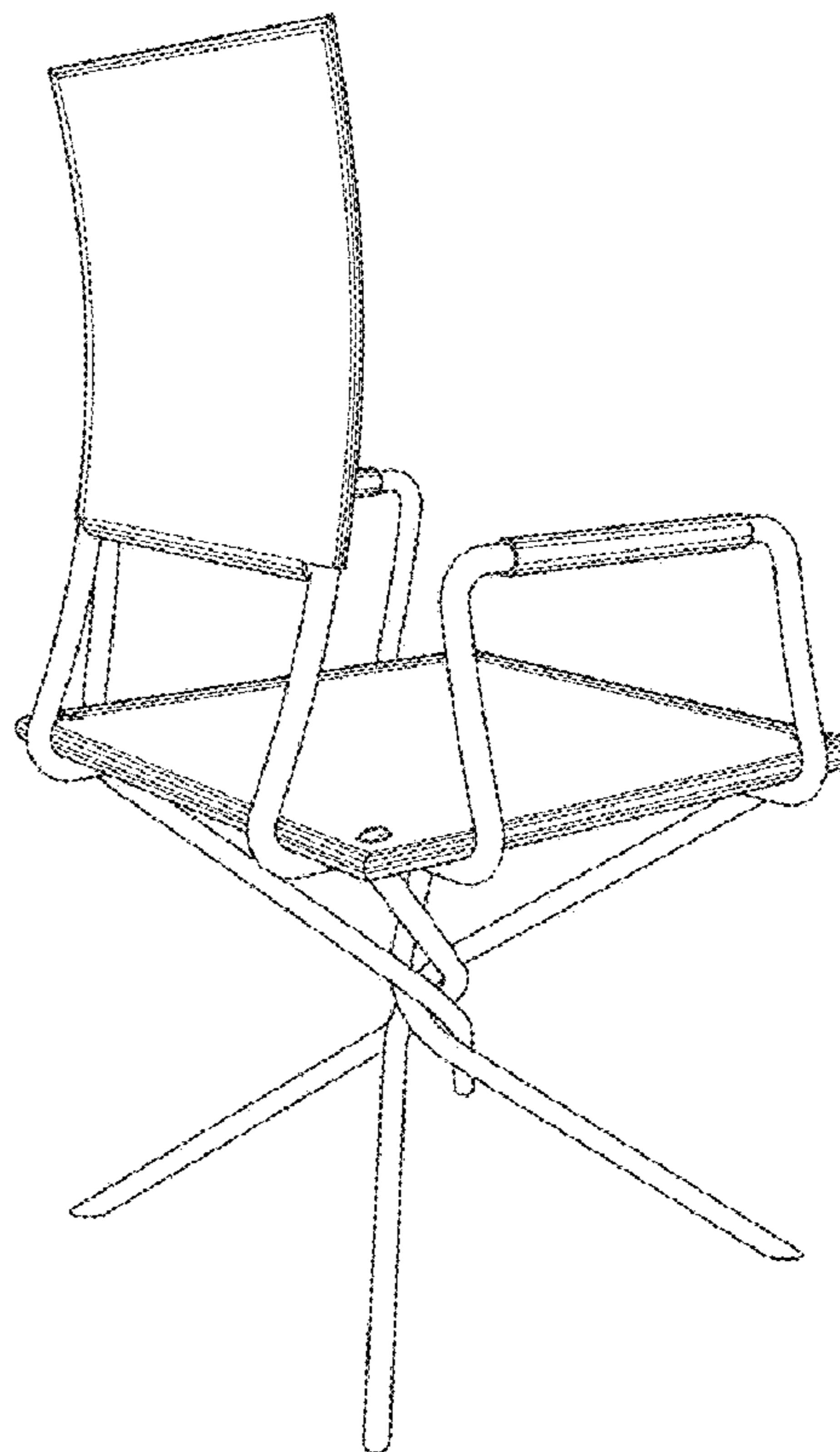
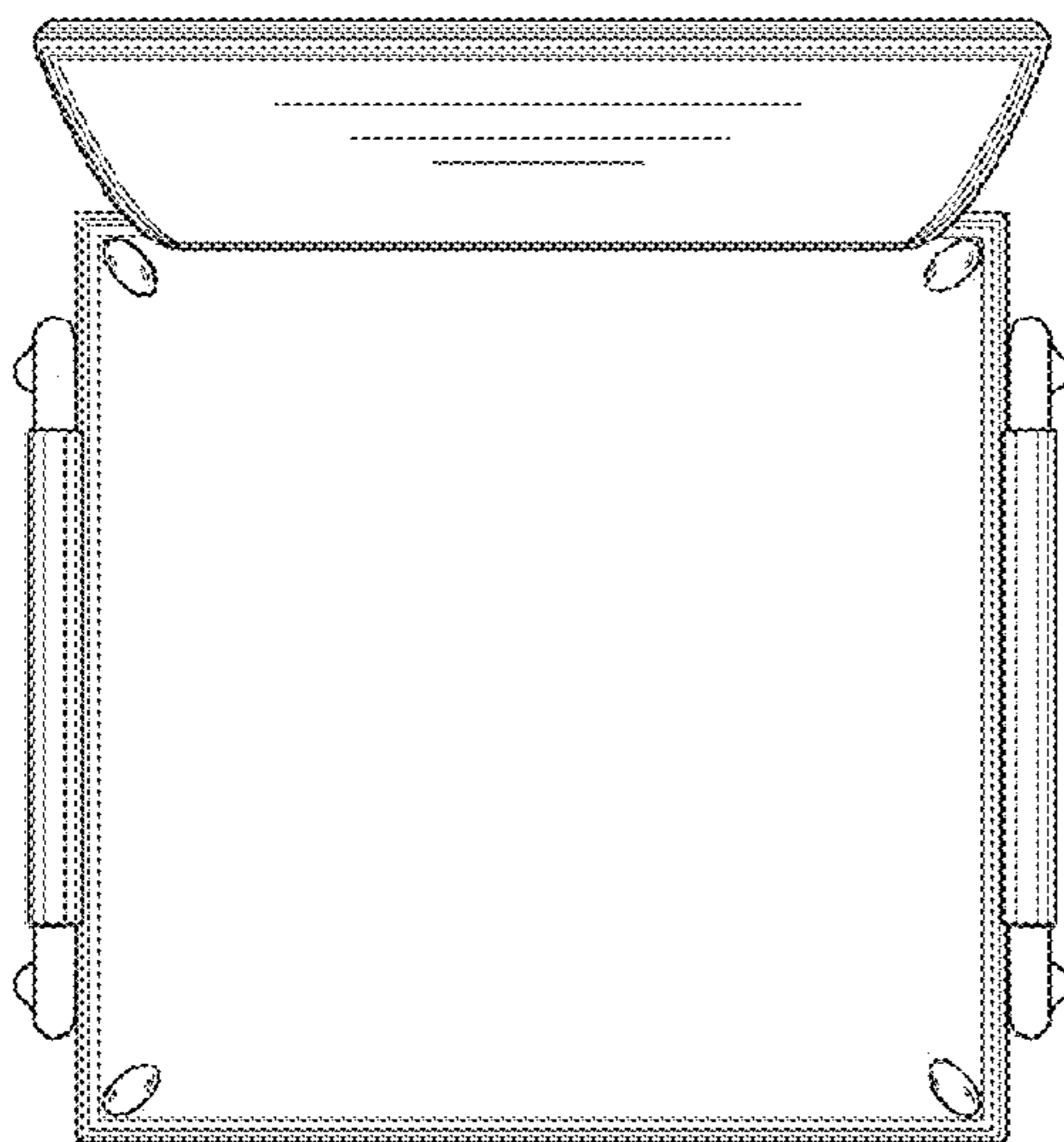
FIG. 1 is a front perspective view of a chair showing my new design.

FIG. 2 is a top view thereof;

FIG. 3 is a side perspective view thereof, an opposite side perspective view being a mirror image thereof; and,

FIG. 4 is a rear perspective view thereof.

1 Claim, 2 Drawing Sheets



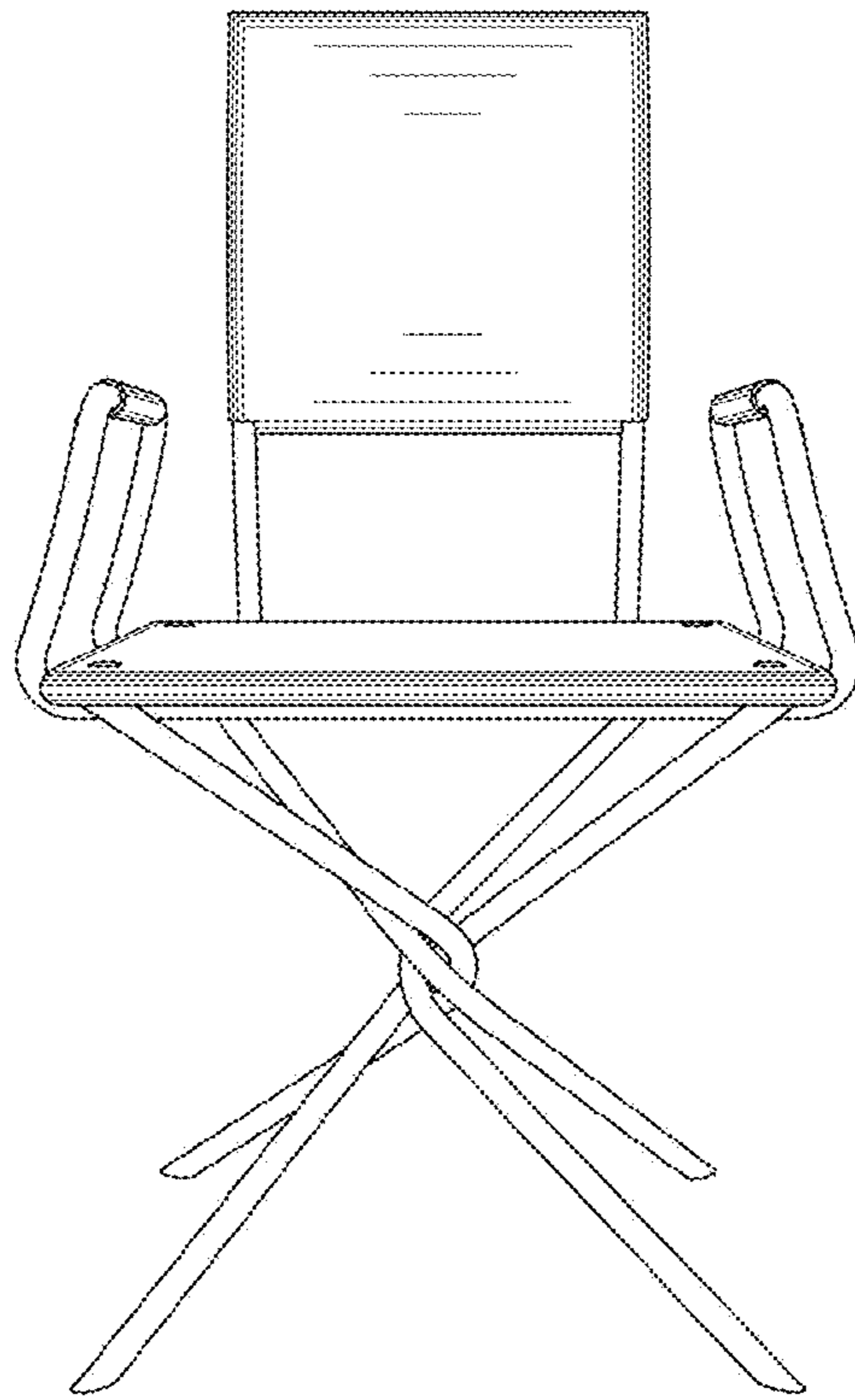


FIG. 1

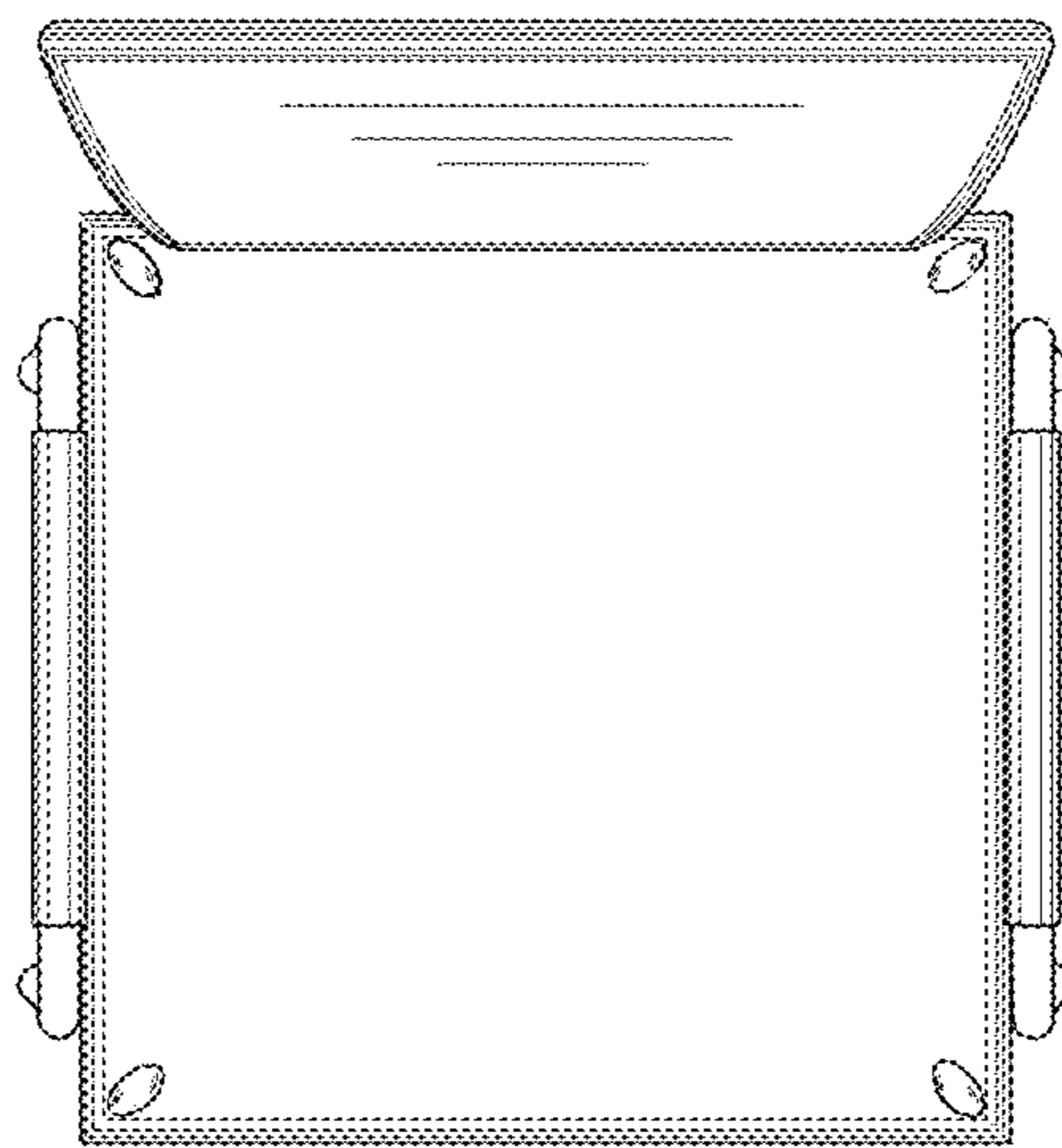


FIG. 2

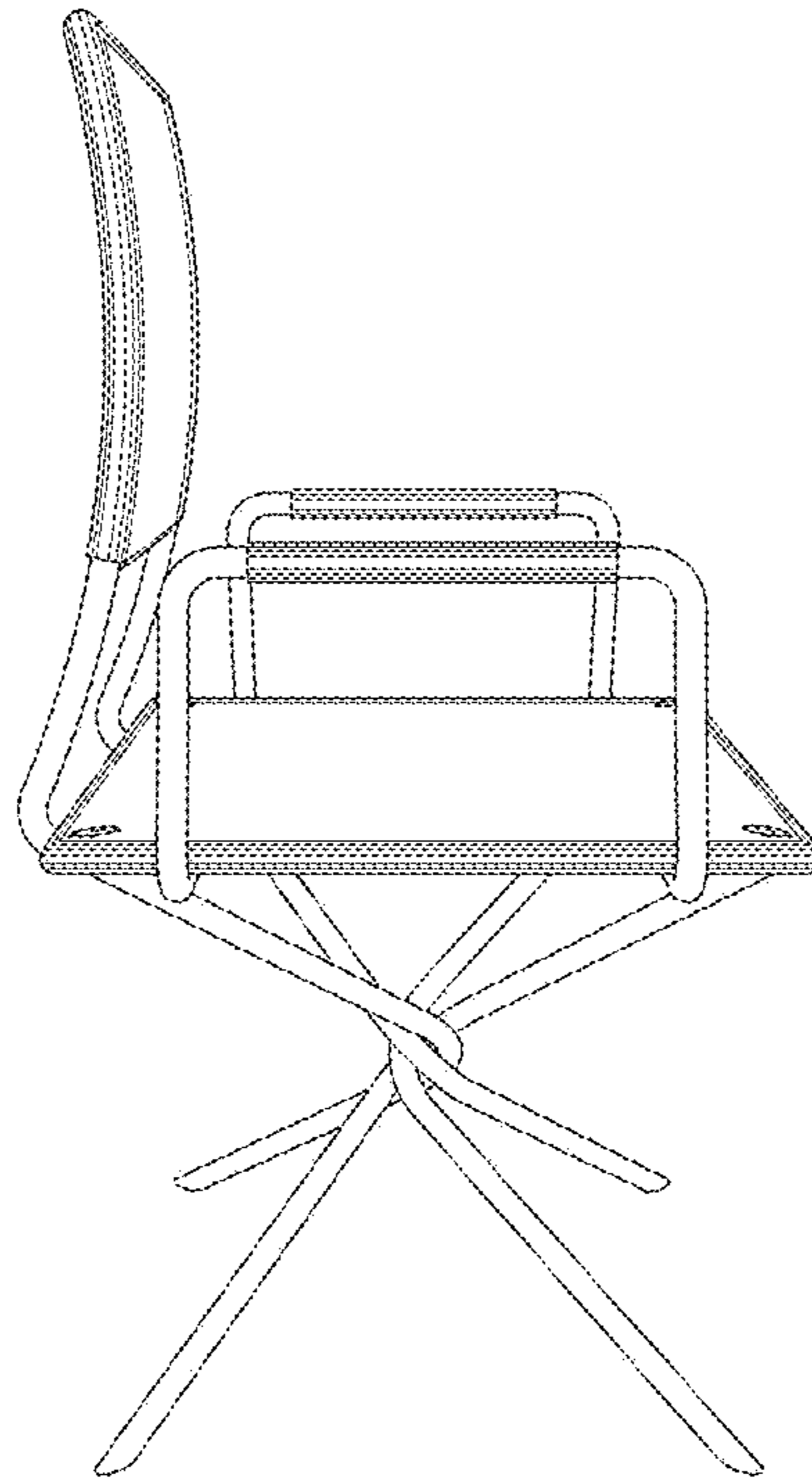


FIG. 3

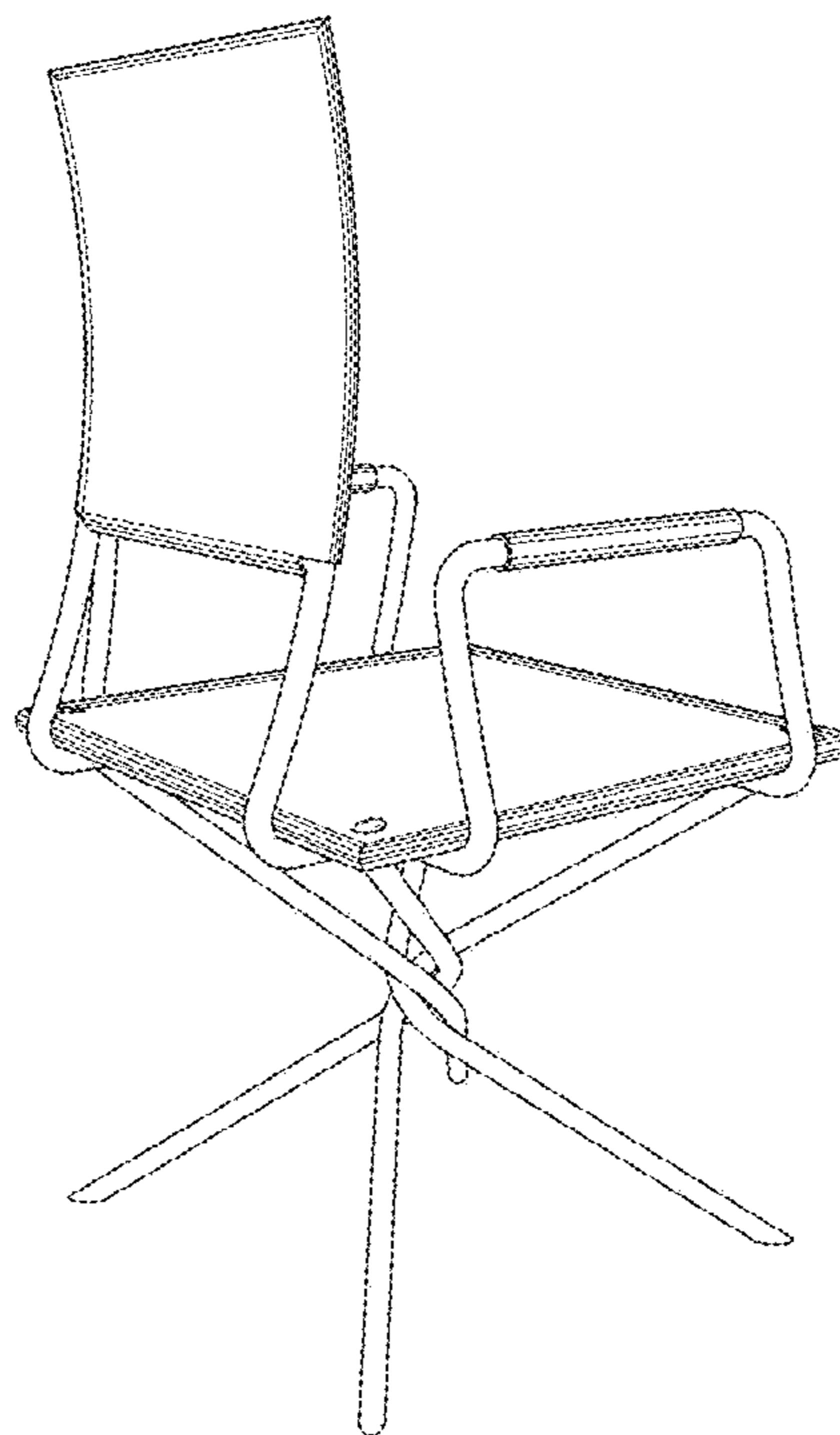


FIG. 4