



US00D787218S

(12) **United States Design Patent** (10) **Patent No.:** **US D787,218 S**  
**Barceló** (45) **Date of Patent:** **\*\* May 23, 2017**

(54) **CHAIR**  
(71) Applicant: **RESINAS OLOT, S.L.**, Les Preses (ES)  
(72) Inventor: **David Carrasco Barceló**, Barcelona (ES)  
(73) Assignee: **Resinas Olot, S.L.**, Les Preses (ES)  
(\*\*) Term: **15 Years**  
(21) Appl. No.: **29/532,730**

D234,653 S \* 4/1975 Morishita ..... D6/375  
D243,572 S 3/1977 Offredi  
D270,406 S 9/1983 Schultz  
4,548,441 A 10/1985 Ogg  
4,648,653 A 3/1987 Rowland  
D333,739 S \* 3/1993 Yeh ..... D6/379  
D390,024 S 2/1998 DeJule  
D430,415 S 9/2000 Schultz  
D443,578 S 6/2001 Lovitt, Jr.  
D446,960 S \* 8/2001 Lovegrove ..... D6/380  
D502,613 S \* 3/2005 Piretti ..... D6/374  
D582,693 S \* 12/2008 da Costa ..... D6/380  
D601,831 S \* 10/2009 Wu ..... D6/380  
D718,967 S \* 12/2014 Young ..... D6/716  
D724,859 S \* 3/2015 Young ..... D6/379

(22) Filed: **Jul. 9, 2015**  
(51) **LOC (10) Cl.** ..... **06-01**  
(52) **U.S. Cl.**  
USPC ..... **D6/380**  
(58) **Field of Classification Search**  
USPC ..... D6/334-336, 374, 375, 376, 379, 380,  
D6/716, 716.1, 716.2, 716.3, 716.4  
CPC .... A47C 3/04; A47C 4/02; A47C 4/03; A47C  
5/04; A47C 5/06; A47C 7/54  
See application file for complete search history.

\* cited by examiner

*Primary Examiner* — Mimoso De  
(74) *Attorney, Agent, or Firm* — Lathrop & Gage L.L.P.

(57) **CLAIM**

The ornamental design for a chair, as shown and described.

**DESCRIPTION**

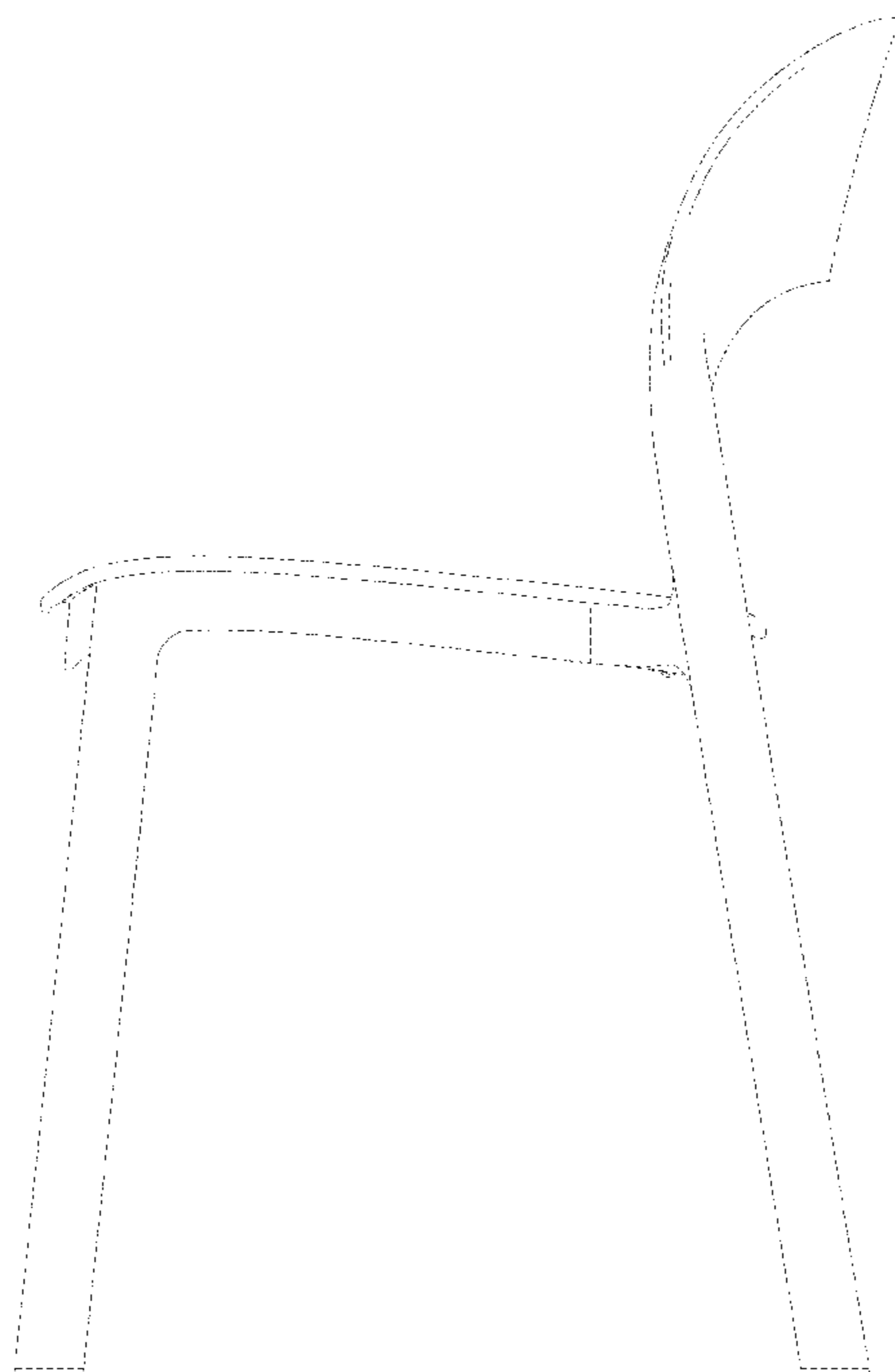
FIG. 1 is a left side view of a chair of the invention.  
FIG. 2 is a front view of the chair of FIG. 1.  
FIG. 3 is a right side view of the chair of FIG. 1.  
FIG. 4 is a back view of the chair of FIG. 1.  
FIG. 5 is a top view of the chair of FIG. 1.  
FIG. 6 is a bottom view of the chair of FIG. 1.  
FIG. 7 is a front perspective view of the chair of FIG. 1; and,  
FIG. 8 is a back perspective view of the chair of FIG. 1.  
The broken lines in the drawings depict environmental subject matter only and form no part of the claimed design.

(56) **References Cited**

U.S. PATENT DOCUMENTS

D181,241 S 10/1957 Swanson  
D183,009 S 6/1958 Mackintosh  
D200,638 S 3/1965 Midyette, Jr.  
D213,438 S 3/1969 Koch  
D227,960 S \* 7/1973 Ekuan ..... D6/374  
D227,961 S \* 7/1973 Ekuan ..... D6/374  
D227,962 S \* 7/1973 Ekuan ..... D6/374  
D234,241 S \* 2/1975 Onoguchi ..... D6/380

**1 Claim, 8 Drawing Sheets**



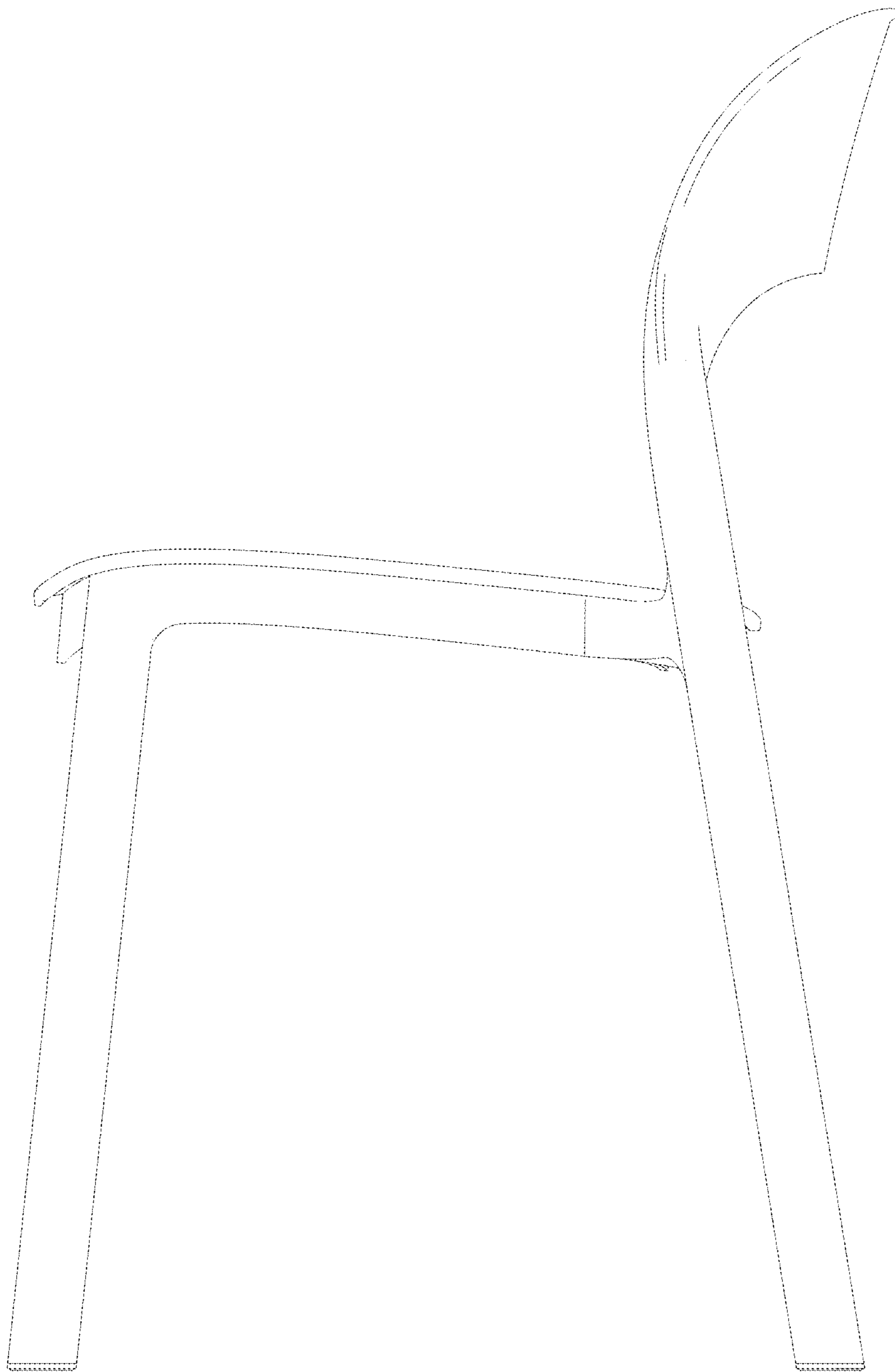


FIG. 1

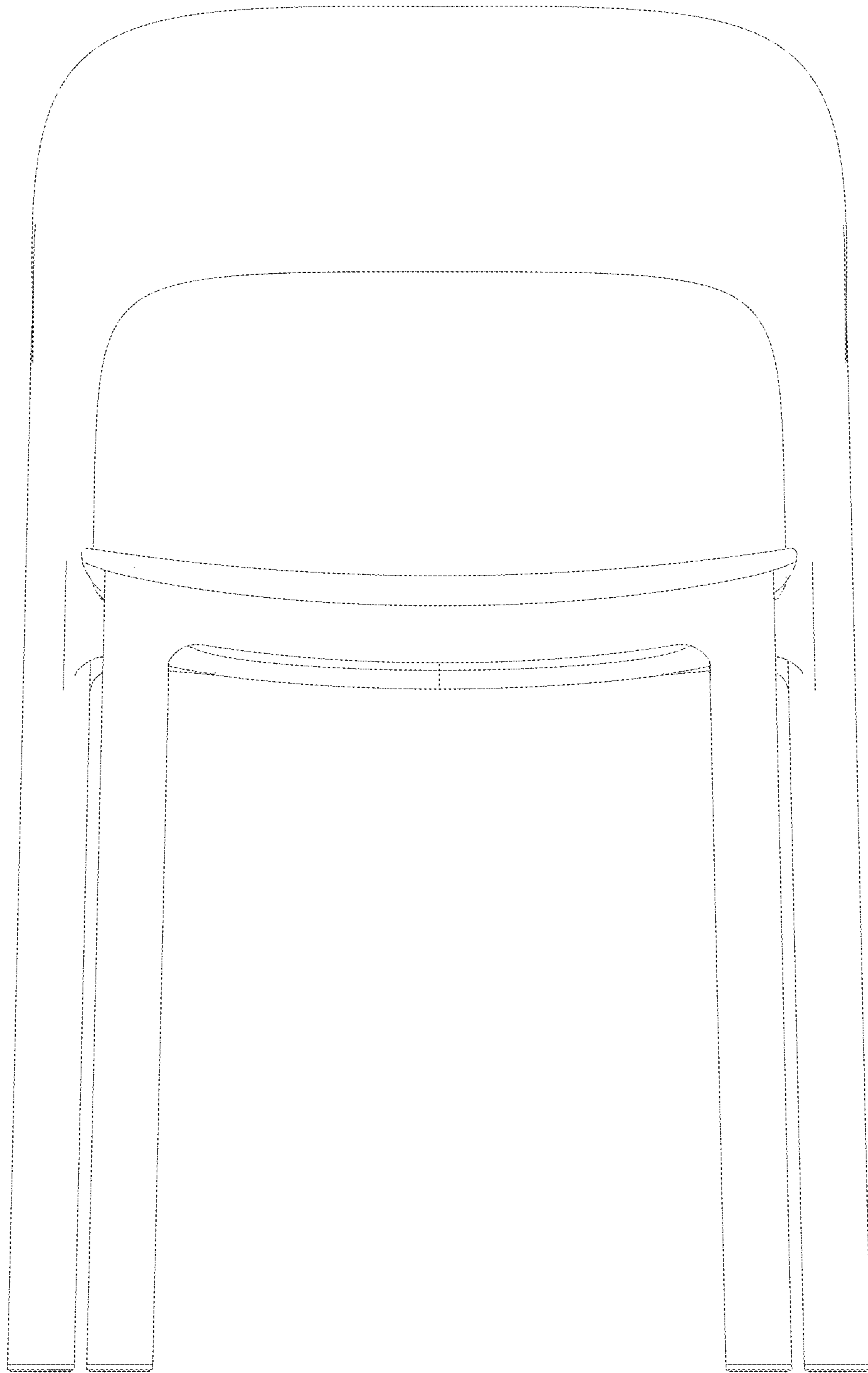


FIG. 2

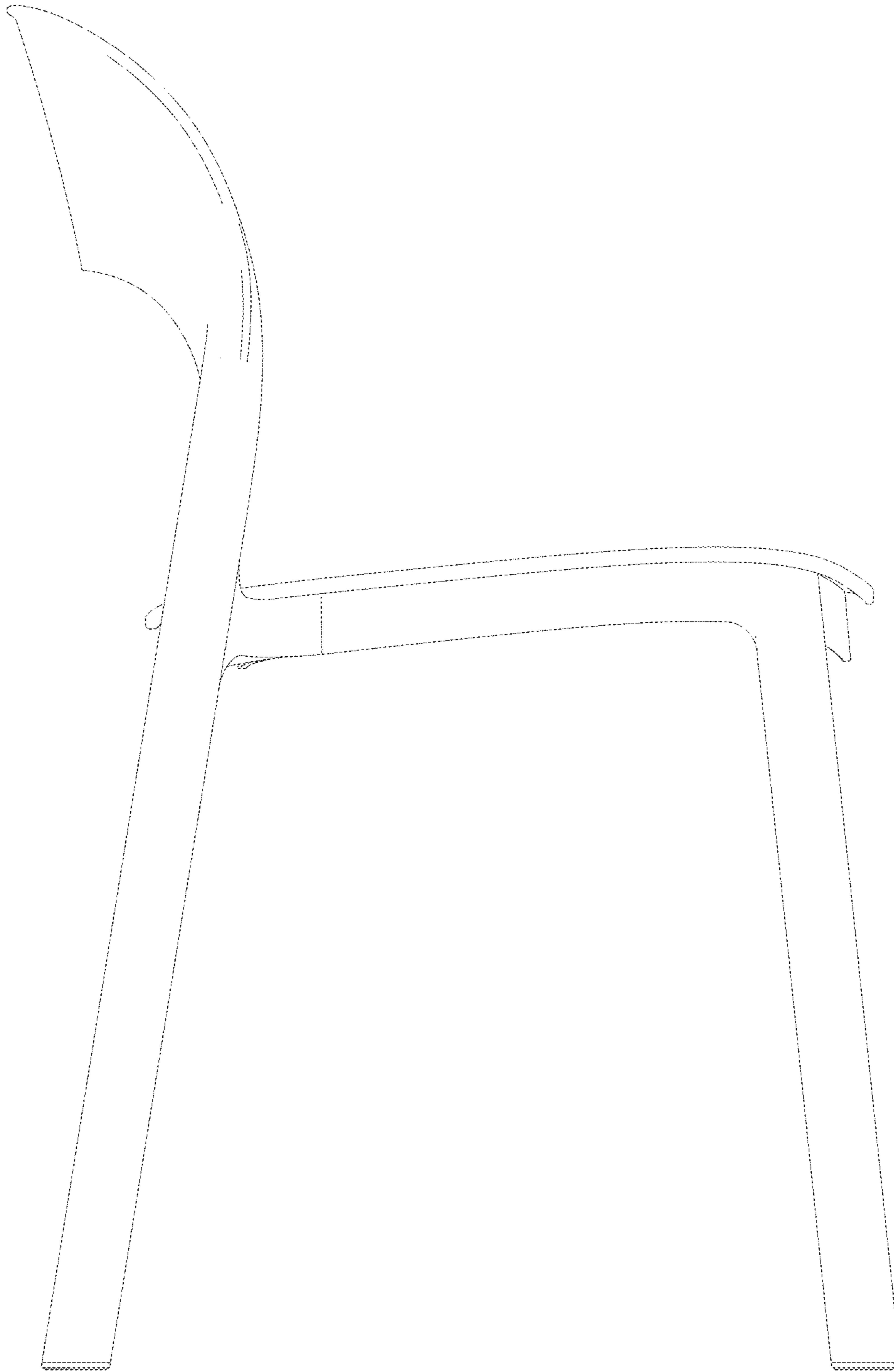


FIG. 3

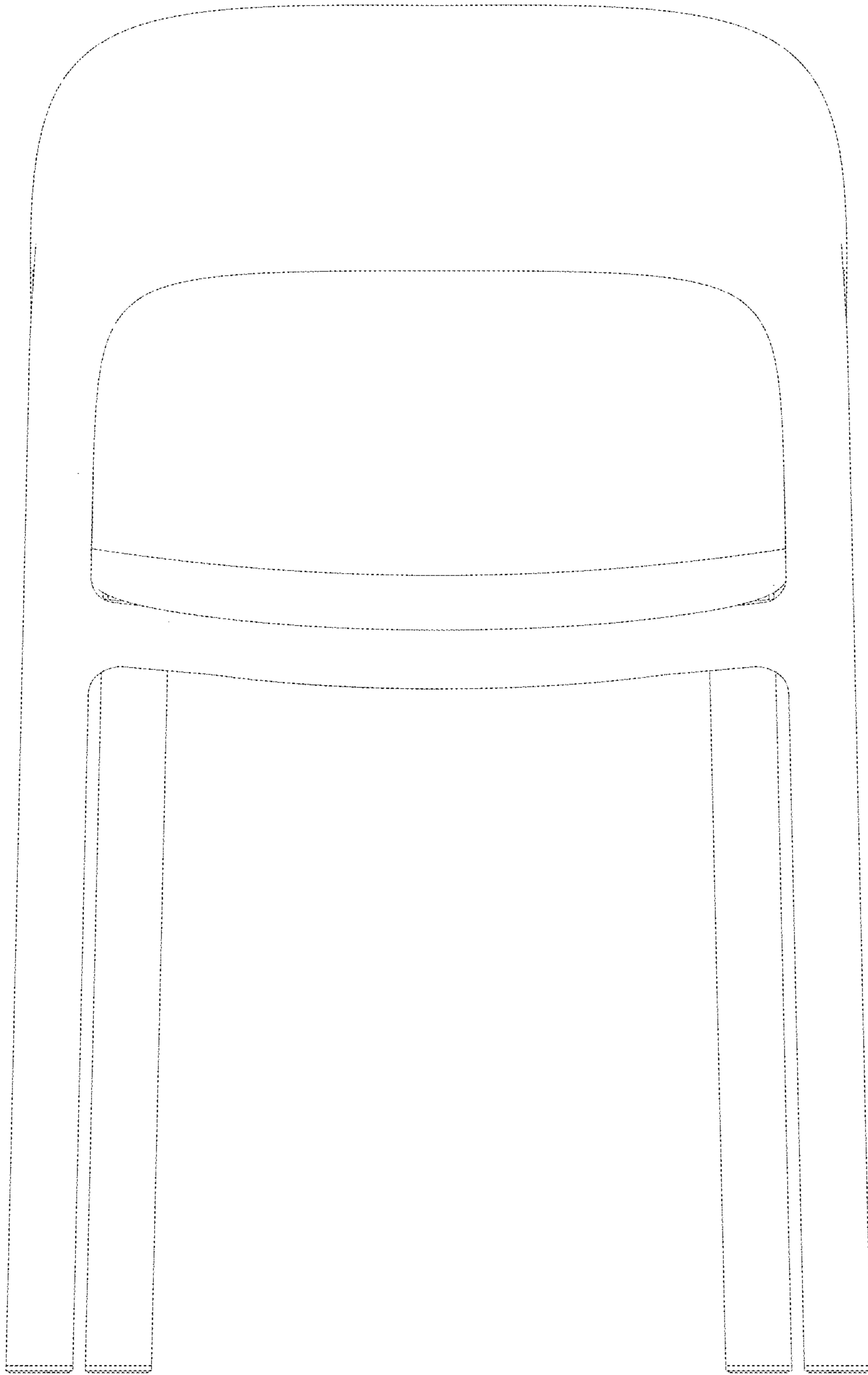


FIG. 4

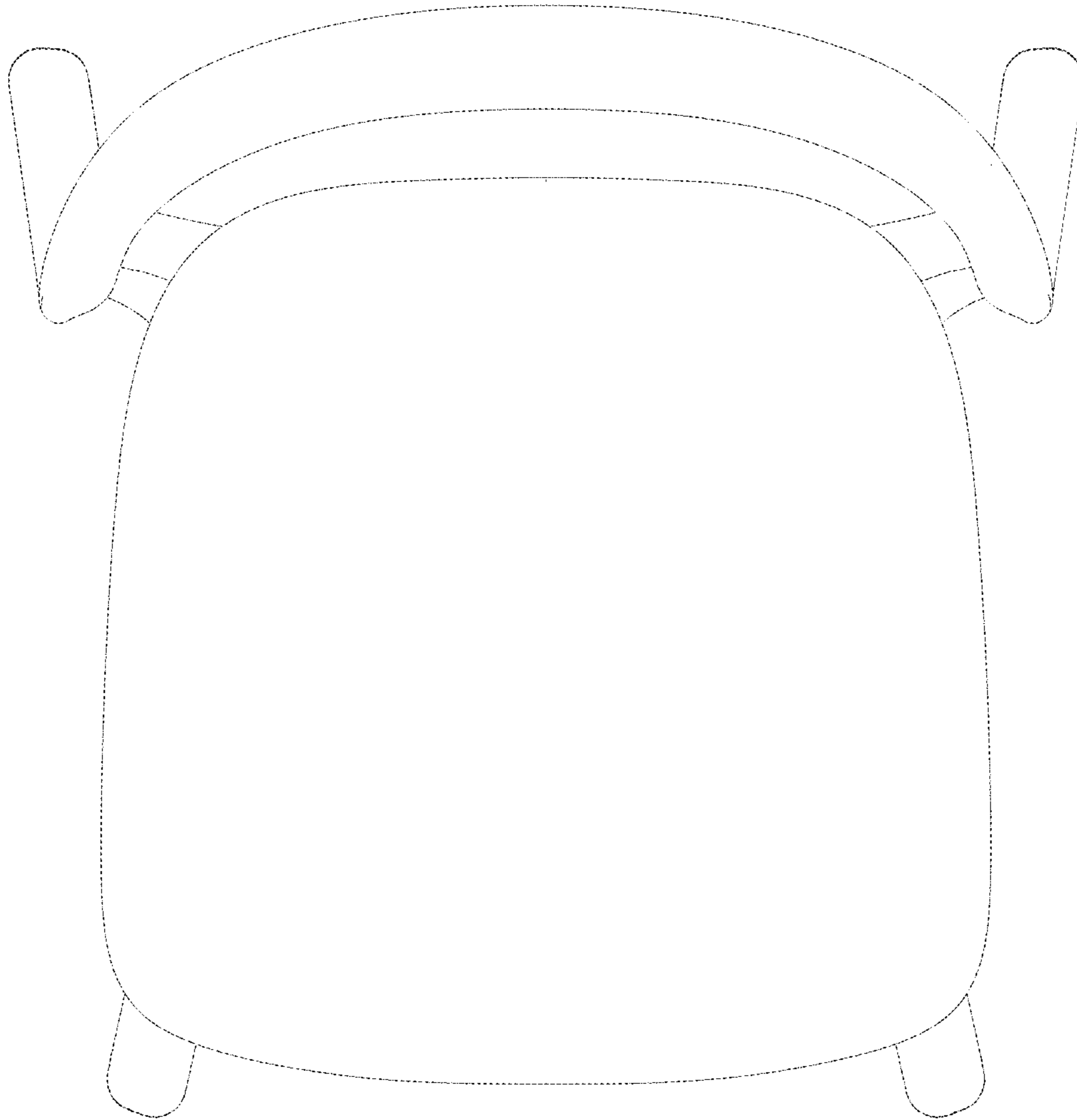


FIG. 5

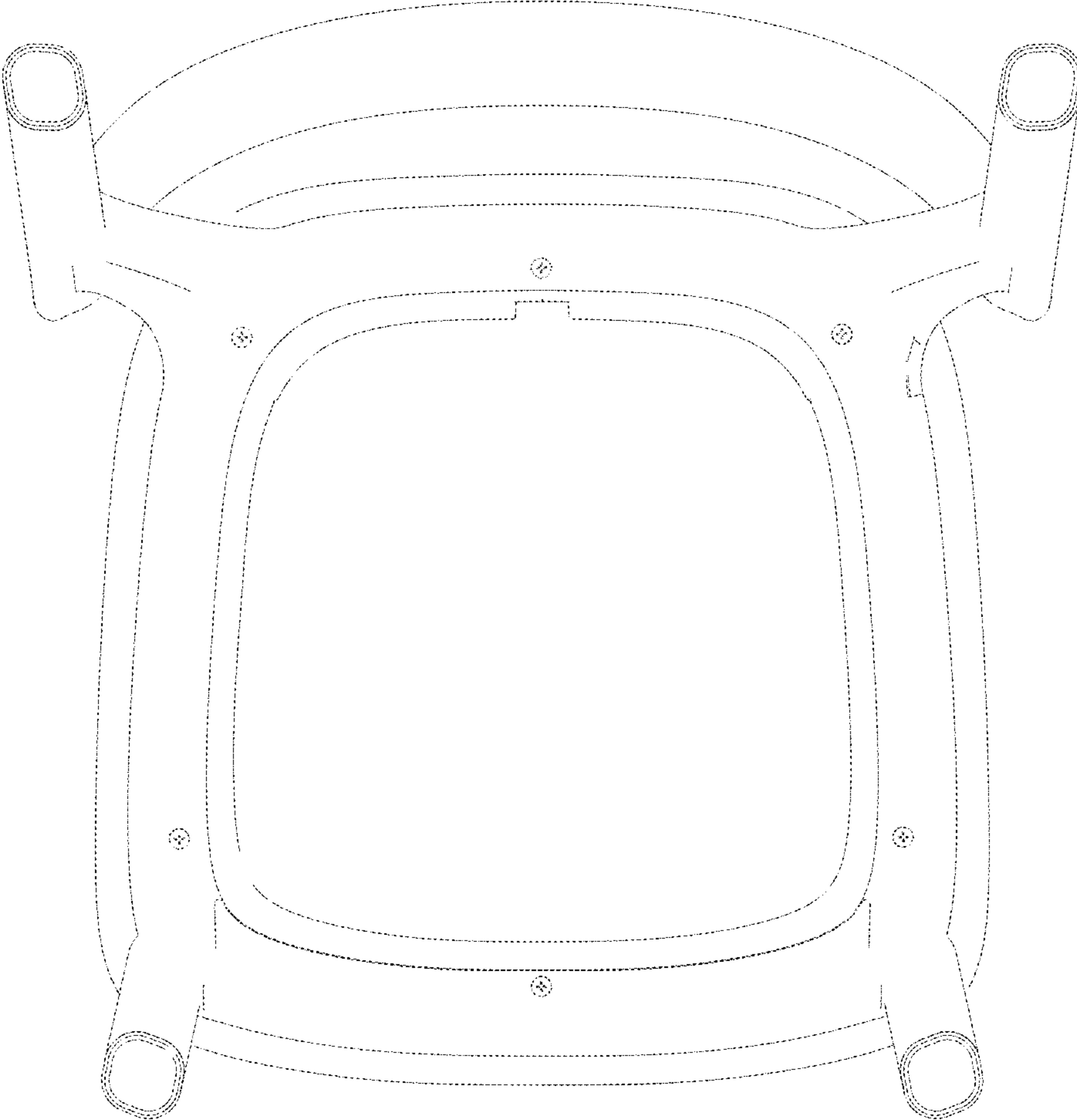


FIG. 6

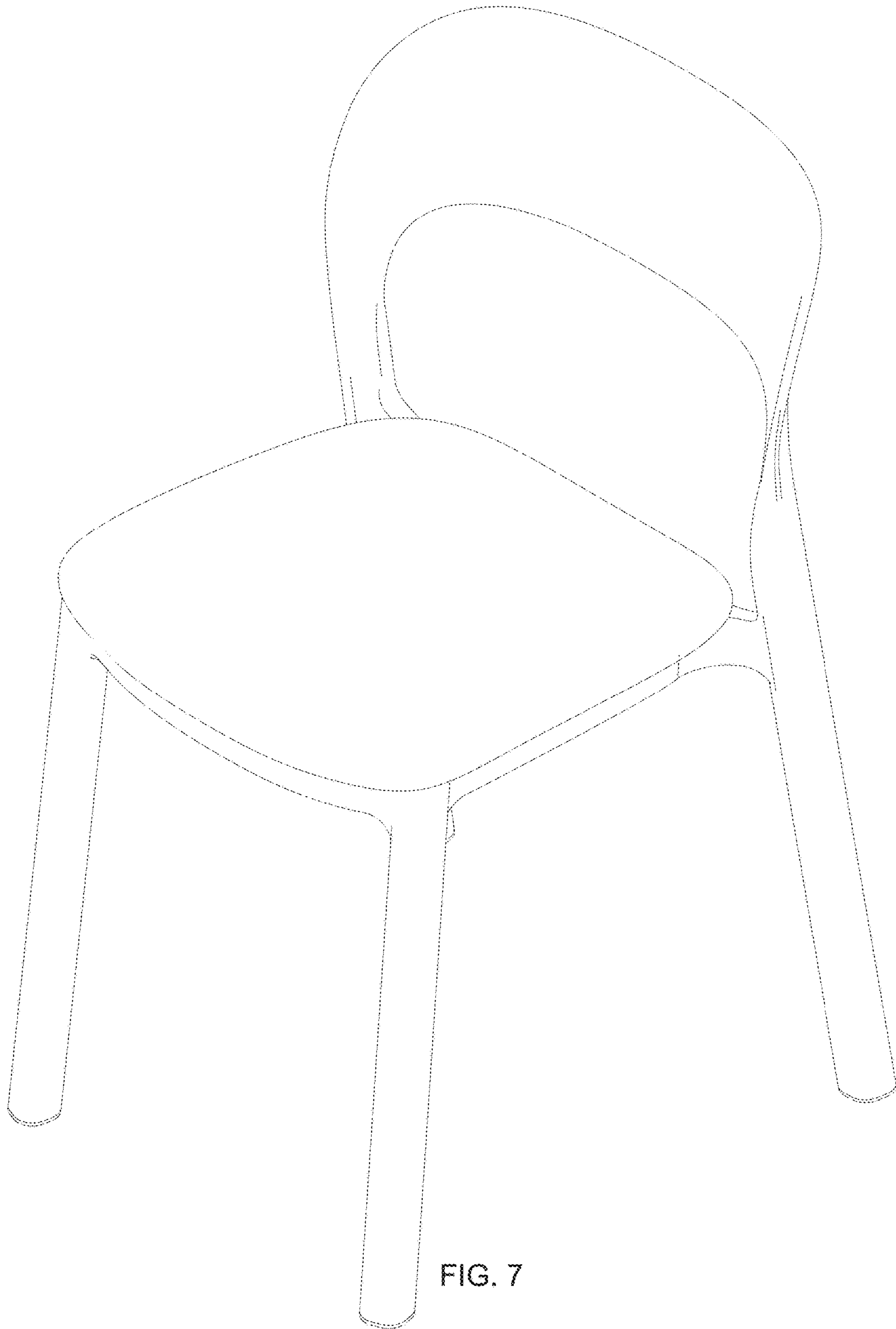


FIG. 7



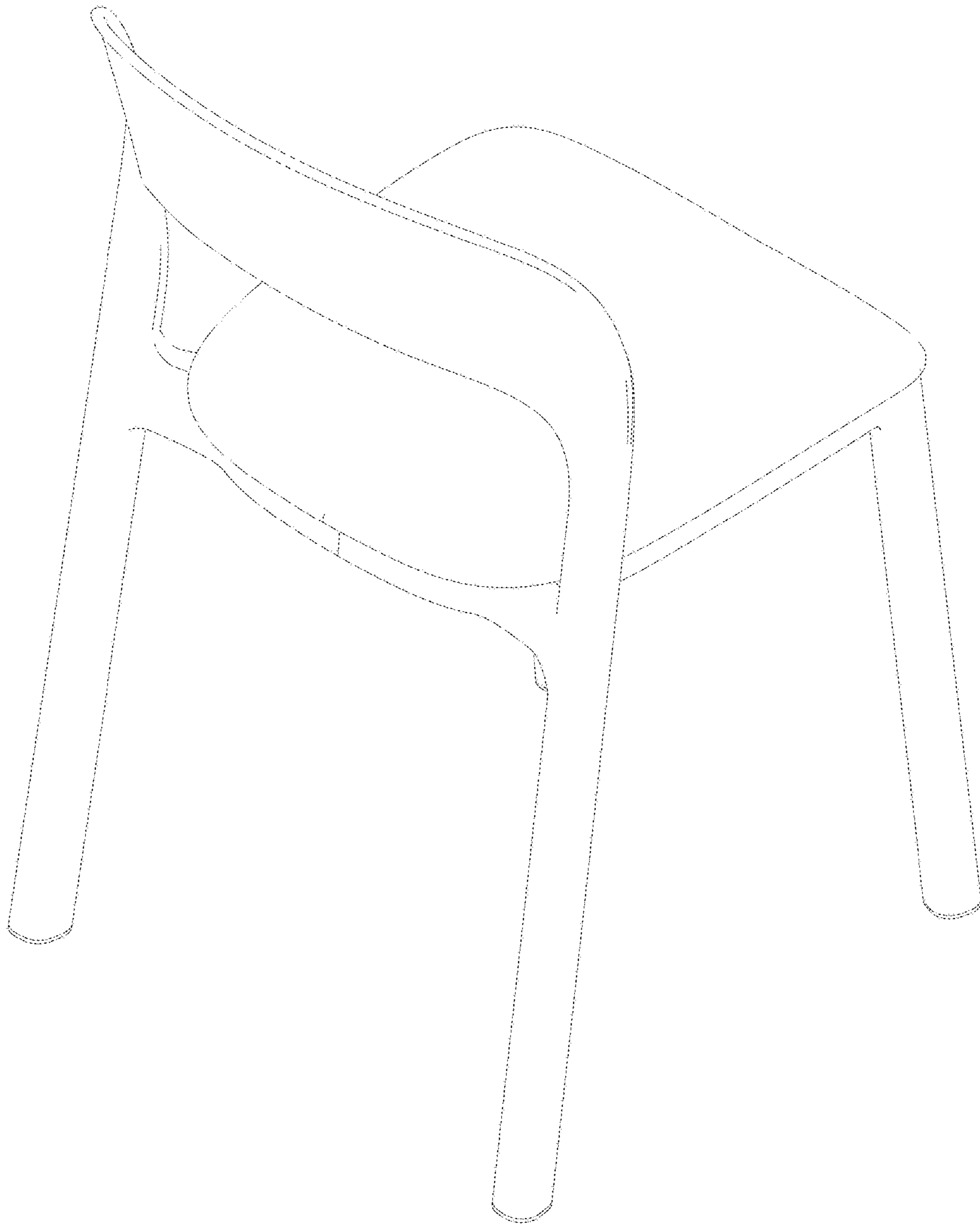


FIG. 8