



US00D787212S

(12) **United States Design Patent**
Schwary

(10) **Patent No.:** **US D787,212 S**

(45) **Date of Patent:** **** May 23, 2017**

(54) **CYCLE SEAT**

(71) Applicant: **S R Schwary**, Camas, WA (US)

(72) Inventor: **S R Schwary**, Camas, WA (US)

(**) Term: **15 Years**

(21) Appl. No.: **29/564,284**

(22) Filed: **May 11, 2016**

(51) **LOC (10) Cl.** **06-01**

(52) **U.S. Cl.**
USPC **D6/354**

(58) **Field of Classification Search**
USPC D6/340, 354; D12/110, 111
CPC ... B62J 1/002; B62J 1/005; B62J 1/007; B62J
1/26

See application file for complete search history.

(56) **References Cited**

U.S. PATENT DOCUMENTS

4,773,705 A	9/1988	Terranova
5,295,727 A	3/1994	Kao
D370,132 S	5/1996	Urias
6,074,002 A	6/2000	Hansen

D429,907 S *	8/2000	Minkow	D6/354
D430,745 S *	9/2000	Minkow	D6/354
6,131,994 A	10/2000	Yates		
D454,259 S *	3/2002	Yates	D6/354
6,652,025 B2	11/2003	Sylvester		
D609,480 S	2/2010	Ascher		
D620,721 S *	8/2010	Kenney	D6/354
8,668,259 B2	3/2014	Ulrich		
2007/0262623 A1	11/2007	Fortt		

* cited by examiner

Primary Examiner — George D Kirschbaum

Assistant Examiner — Natasha Vujcic

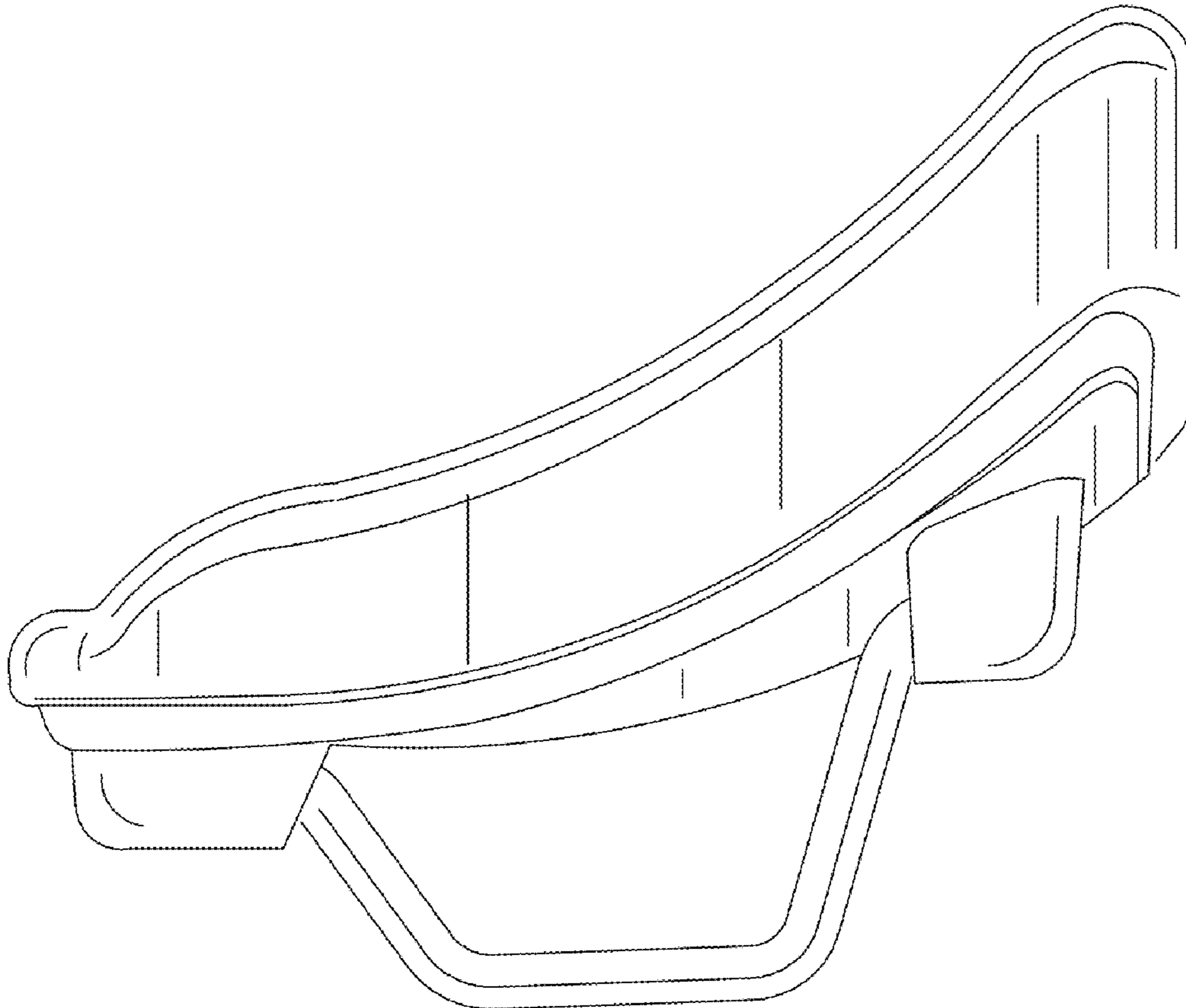
(57) **CLAIM**

The ornamental design for a cycle seat, as shown and described.

DESCRIPTION

FIG. 1 is a left side view of a cycle seat showing my new design;
FIG. 2 is a right side view of the cycle seat;
FIG. 3 is a front view of the cycle seat;
FIG. 4 is a back view of the cycle seat;
FIG. 5 is a top view of the cycle seat;
FIG. 6 is a bottom view of the cycle seat; and,
FIG. 7 is a top front side perspective view of the cycle seat.

1 Claim, 7 Drawing Sheets



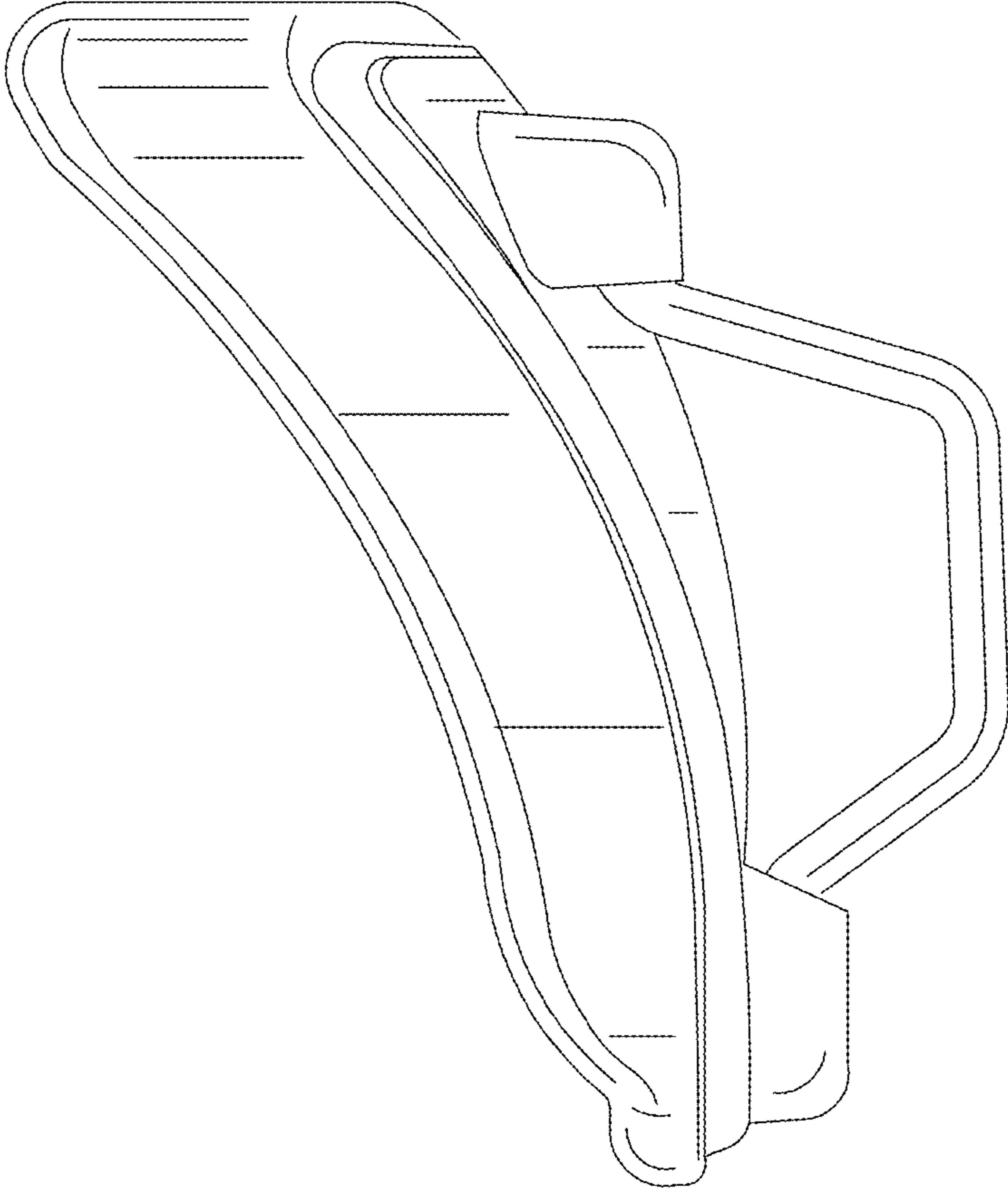


FIG. 1

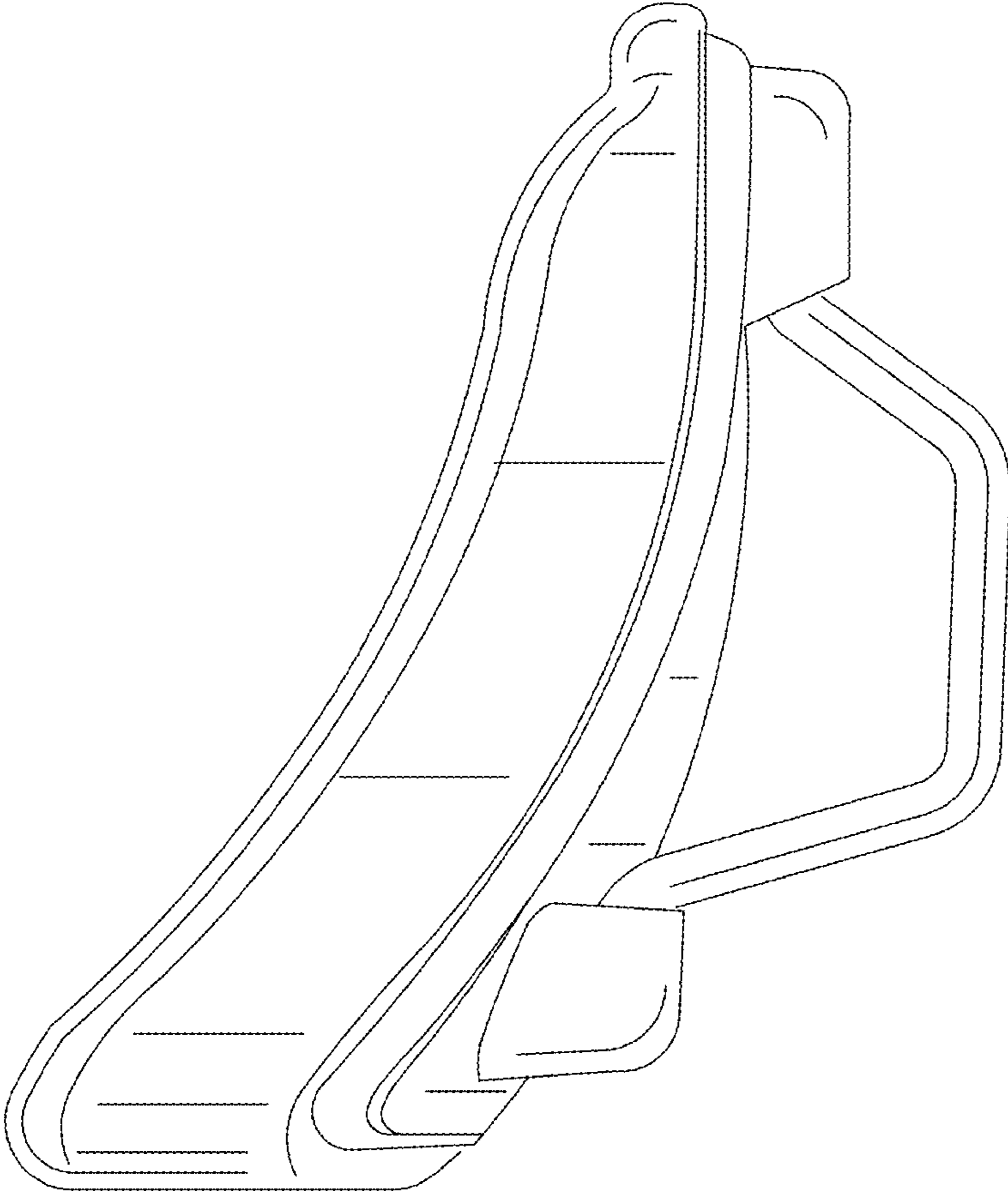


FIG. 2

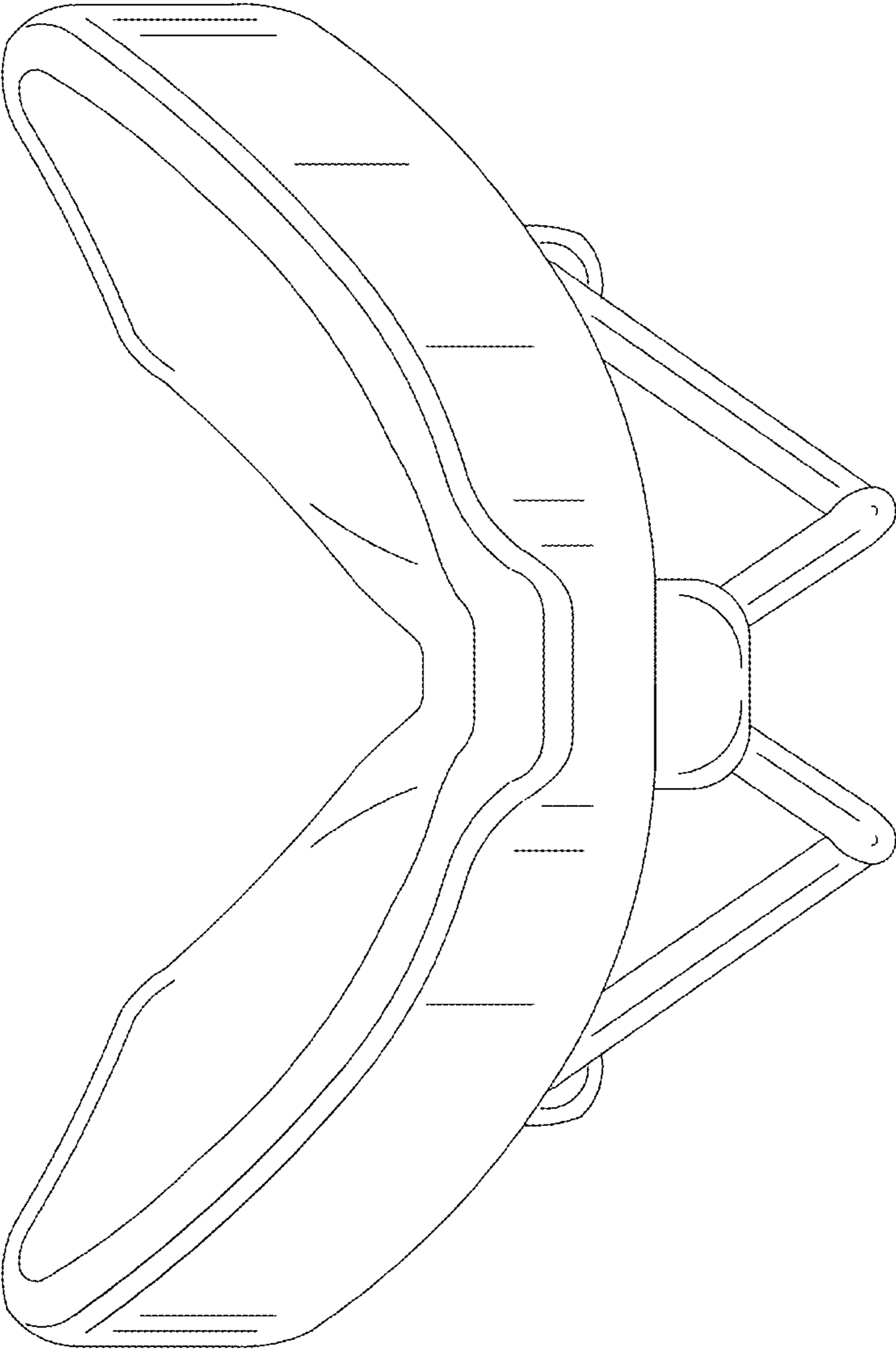


FIG. 3

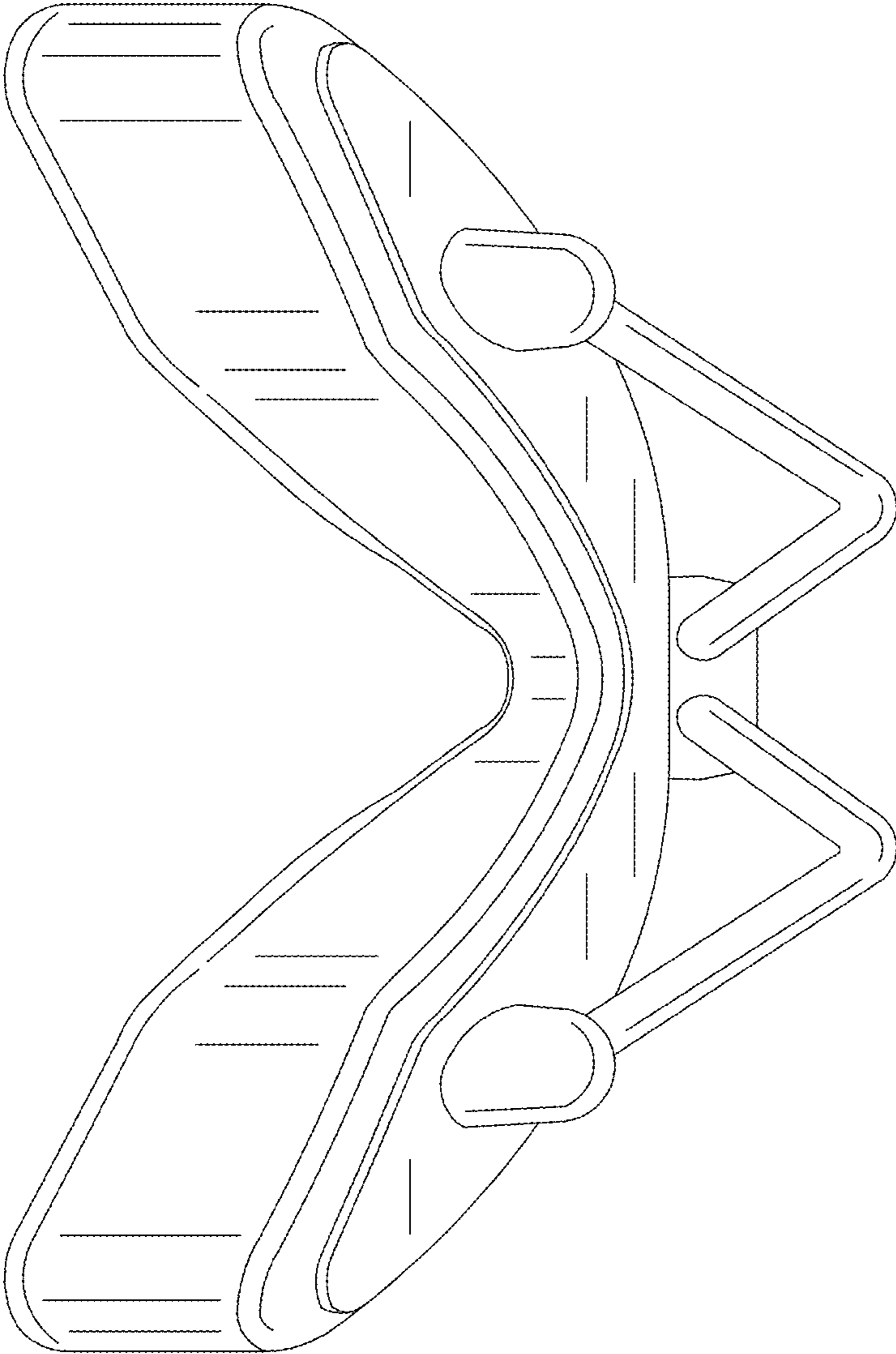


FIG. 4

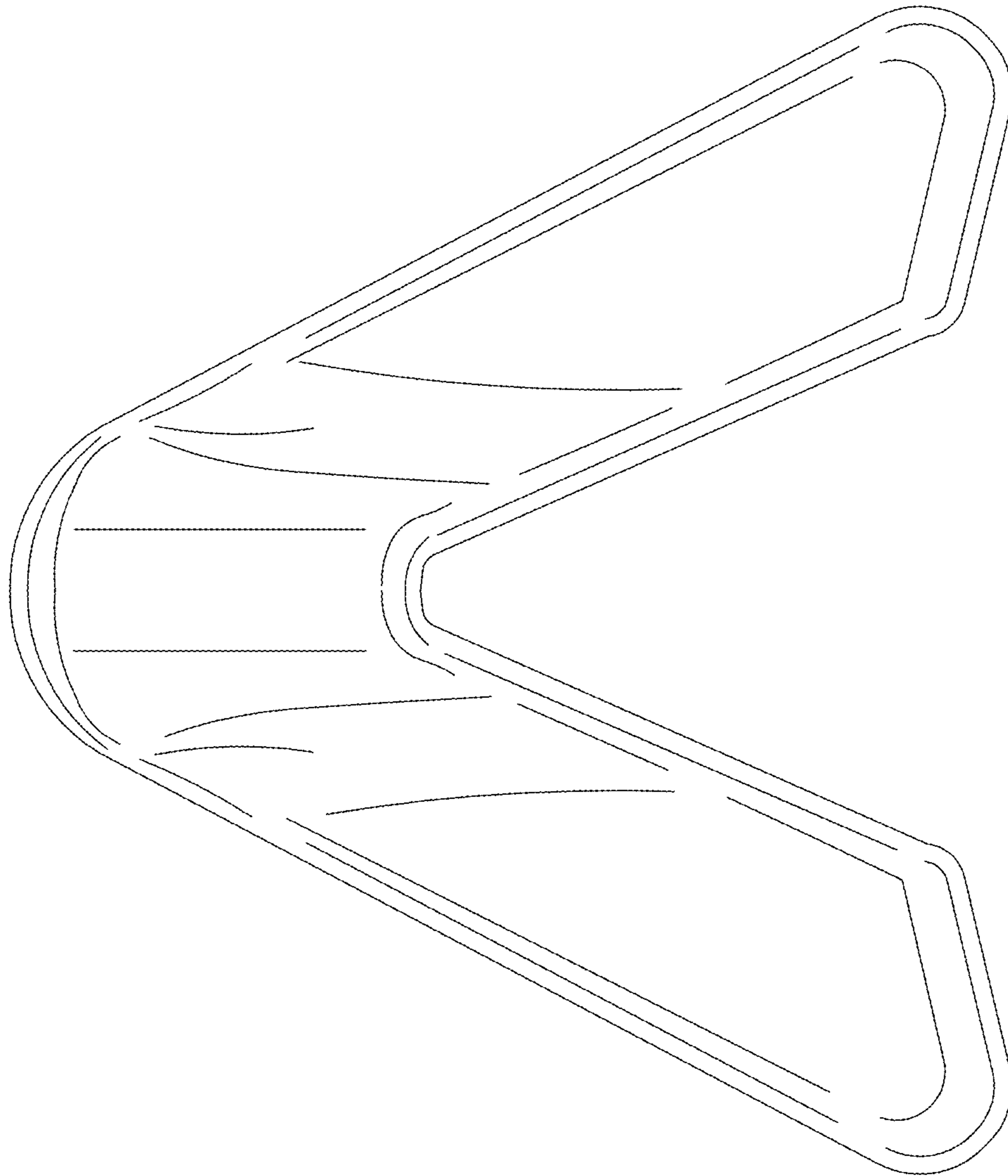


FIG. 5

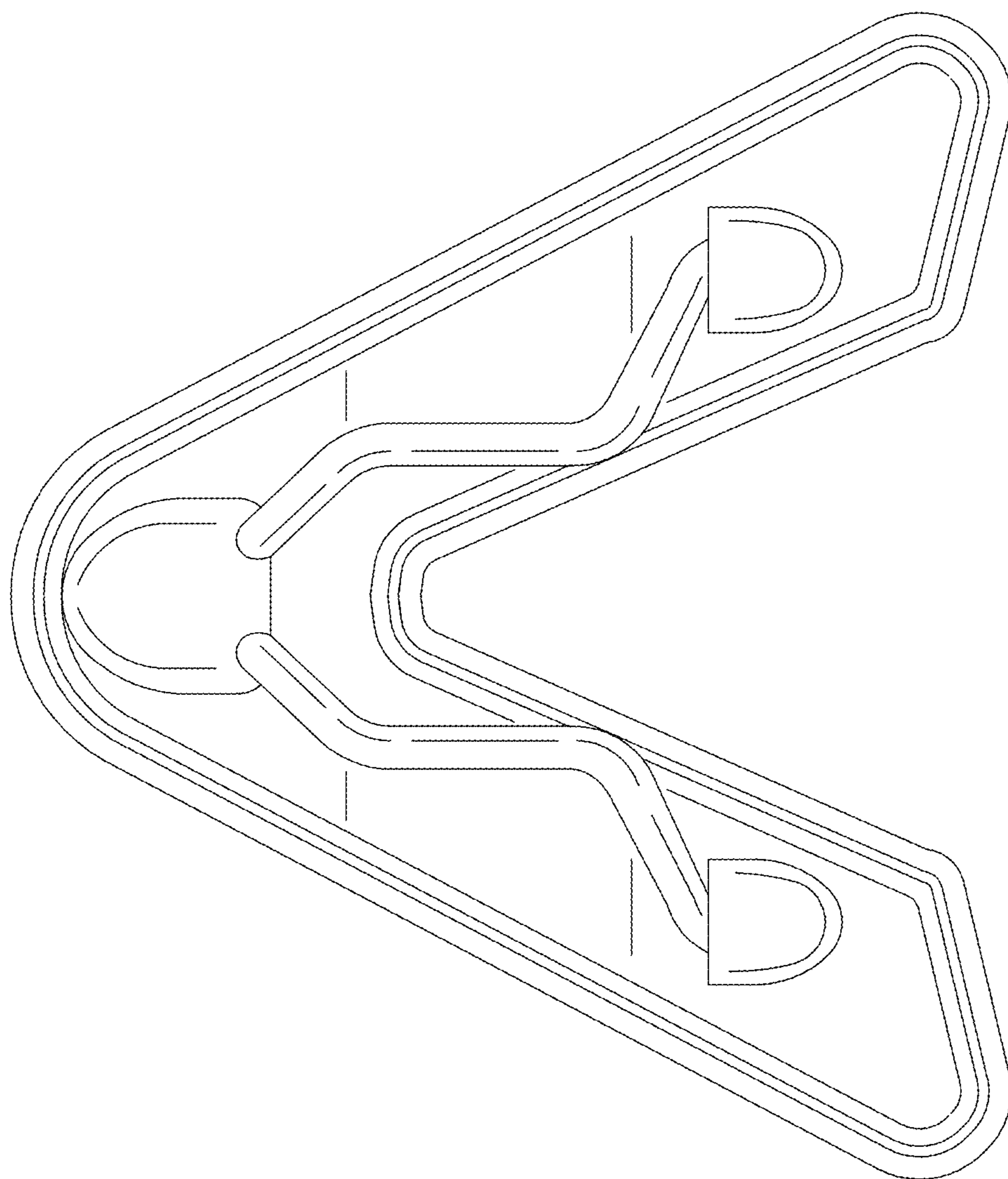


FIG. 6

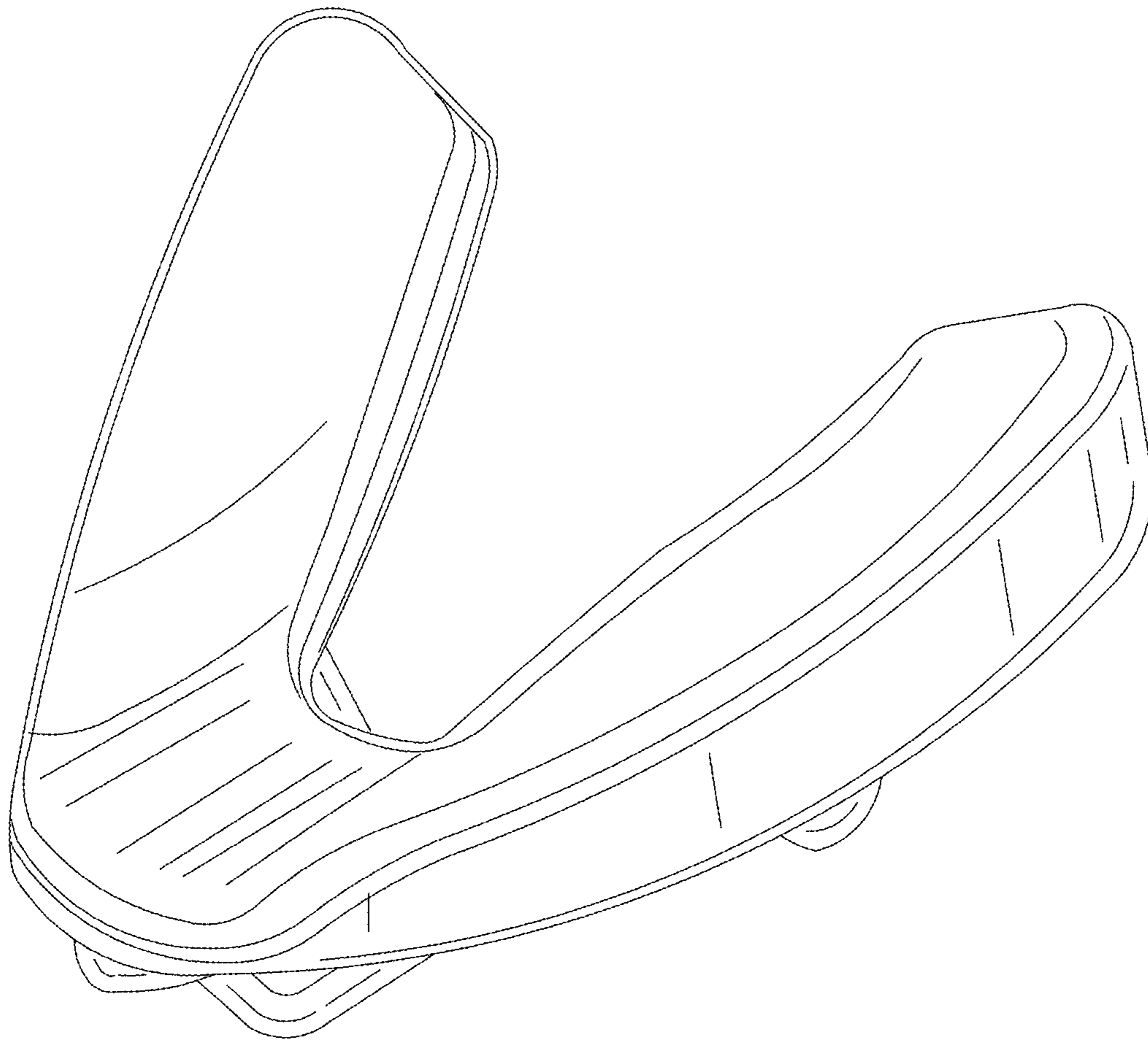


FIG. 7