



US00D787206S

(12) **United States Design Patent** (10) **Patent No.:** **US D787,206 S**
Webb (45) **Date of Patent:** **** May 23, 2017**

(54) **FURNITURE**
(71) Applicant: **Roger Webb**, London (GB)
(72) Inventor: **Roger Webb**, London (GB)
(**) Term: **15 Years**
(21) Appl. No.: **29/552,078**

D698,179 S * 1/2014 Nguyen D6/381
D698,564 S * 2/2014 Behar D6/381
D714,068 S * 9/2014 Kapka D6/337
D716,576 S * 11/2014 Wieland D6/381
D740,039 S * 10/2015 Bouroullec D6/335
D753,928 S * 4/2016 Webb D6/378
D761,576 S * 7/2016 Agati D6/338
D761,577 S * 7/2016 Agati D6/338
D764,826 S * 8/2016 Webb D6/381

(22) Filed: **Jan. 20, 2016**
(30) **Foreign Application Priority Data**

Jul. 24, 2015 (EM) 001437537

(51) **LOC (10) Cl.** **06-01**
(52) **U.S. Cl.**
USPC **D6/335**

(58) **Field of Classification Search**
USPC D6/334, 335, 336, 337, 338, 341, 349,
D6/355, 361, 367, 369, 374, 375, 376,
D6/378, 381, 384, 389, 708.1, 716, 716.1,
D6/716.2, 716.4, 716.5
CPC A47C 17/36; A47C 17/00; A47C 17/14;
A47C 7/42; A47C 13/005; A47C 17/12;
A47C 13/00; A47B 85/00; A47B 85/04;
A47B 17/00; A47B 87/00; A47B 87/02;
A47B 83/00; A47B 83/001; A47B
87/0215

See application file for complete search history.

(56) **References Cited**

U.S. PATENT DOCUMENTS

6,796,614 B1 * 9/2004 Paul A47C 7/42
297/118
D537,263 S * 2/2007 Berry D6/381
D559,576 S * 1/2008 Bauchet D6/381
D560,919 S * 2/2008 Simons, Jr. D6/381
D675,458 S * 2/2013 Martin D6/381
D687,241 S * 8/2013 Beucler D6/381

OTHER PUBLICATIONS

Collection Tryst, posted at Anlburo.fr, posted on Sep. 11, 2014, [online], [site visited Oct. 6, 2016]. Available from Internet, <URL: <http://anlburo.fr/bulle-de-communication/186-collection-tryst.html>>.*

(Continued)

Primary Examiner — Thomas Johannes
Assistant Examiner — Catherine Ho
(74) *Attorney, Agent, or Firm* — The Belles Group, P.C.

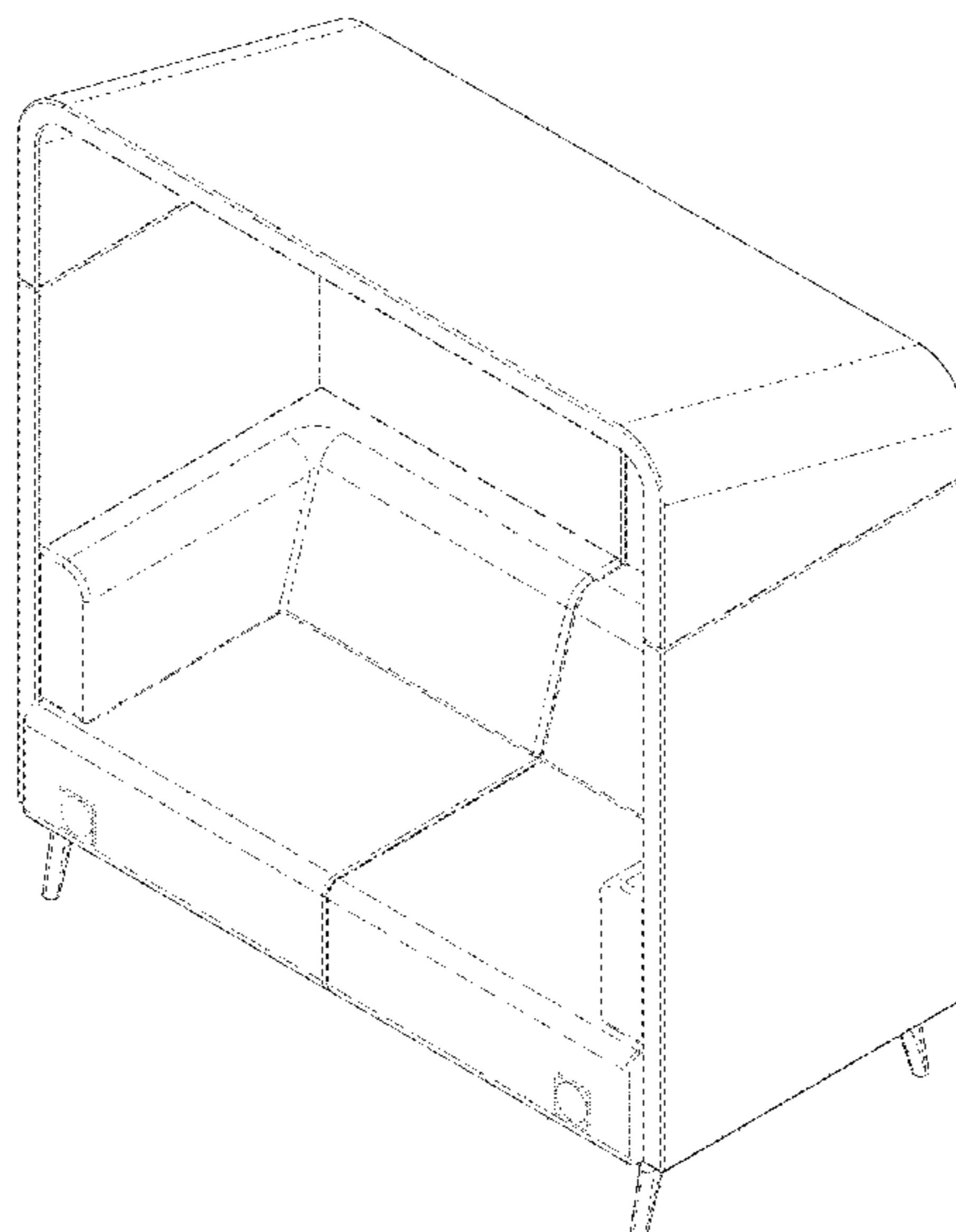
(57) **CLAIM**

I claim the ornamental design for furniture, as shown and described.

DESCRIPTION

FIG. 1 is a front perspective view of furniture showing my new design;
FIG. 2 is a rear perspective view thereof;
FIG. 3 is a front view thereof;
FIG. 4 is a rear view thereof;
FIG. 5 is a right-side view thereof, the left-side view being a mirror image of the right-side view;
FIG. 6 is a top view thereof; and,
FIG. 7 is a bottom view thereof.
The broken line portion of the drawings is included to show portions of the article that form no part of the claimed design.

1 Claim, 7 Drawing Sheets



(56)

References Cited

OTHER PUBLICATIONS

Boss Design Cocoon, posted at Officefurniturescene.co.uk, posted on Jun. 8, 2013, [online], [site visited Oct. 6, 2016]. Available from Internet, <URL: <http://officefurniturescene.co.uk/shop/office-chairs/boss-design-chairs/boss-design-cocoon/>>.*

Zew Handcrafted Foldable Bamboo Portable Garden Sling Chair with Canvas, posted at Amazon.com, posted on Aug. 29, 2014, [online], [site visited Oct. 6, 2016]. Available from Internet, <URL: <https://www.amazon.com/Zew-Handcrafted-Foldable-Bamboo-Portable/dp/B00IA8ICJU>>.*

Top/Rattan & Wicker Furniture/Daybed sofa with canopy, posted at Householdgallery.com, posted on May 5, 2015, [online], [site visited Oct. 6, 2016]. Available from Internet, <URL: <http://householdgallery.com/products/130-daybed-sofa-with-canopy.aspx>>.*

* cited by examiner

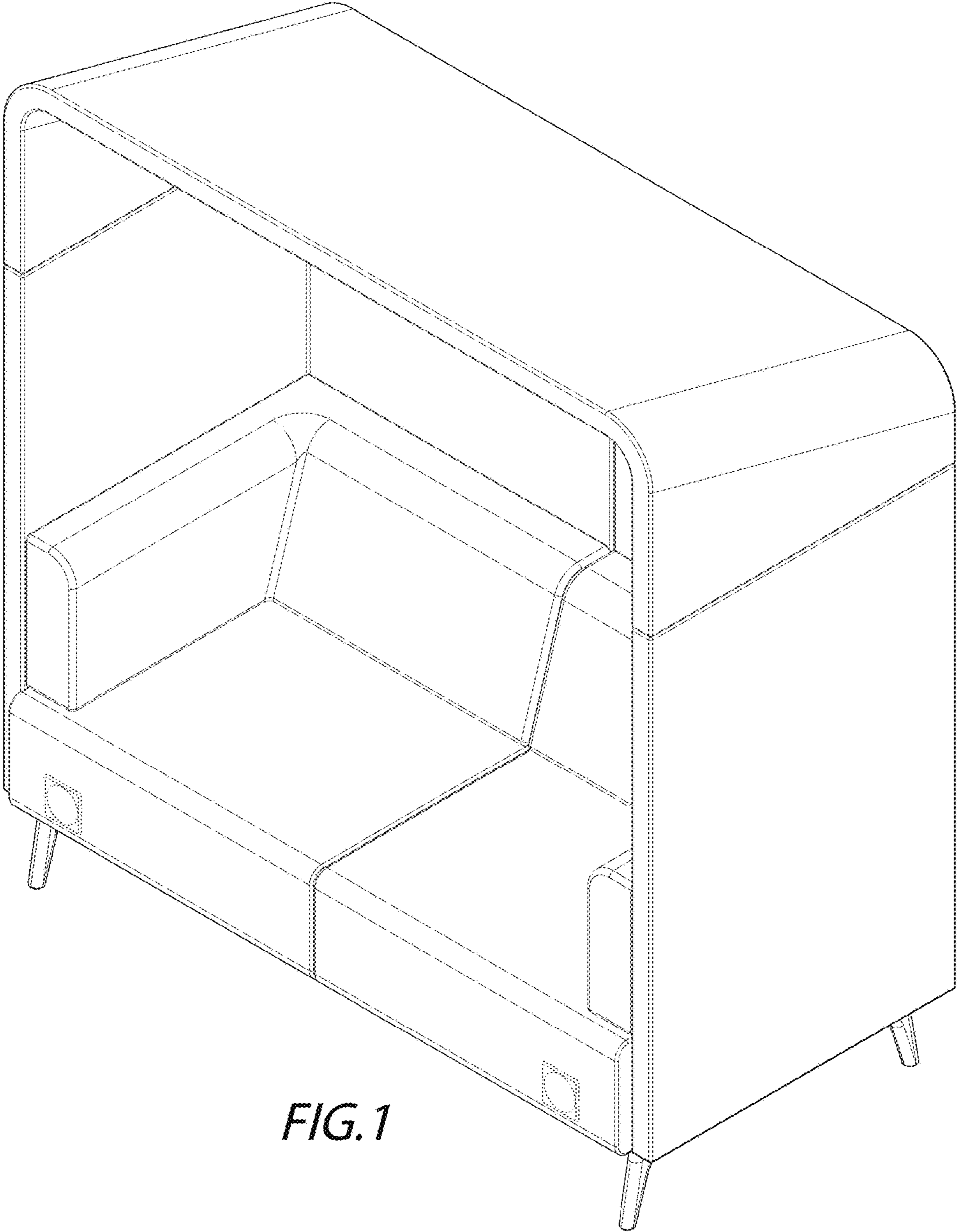


FIG. 1

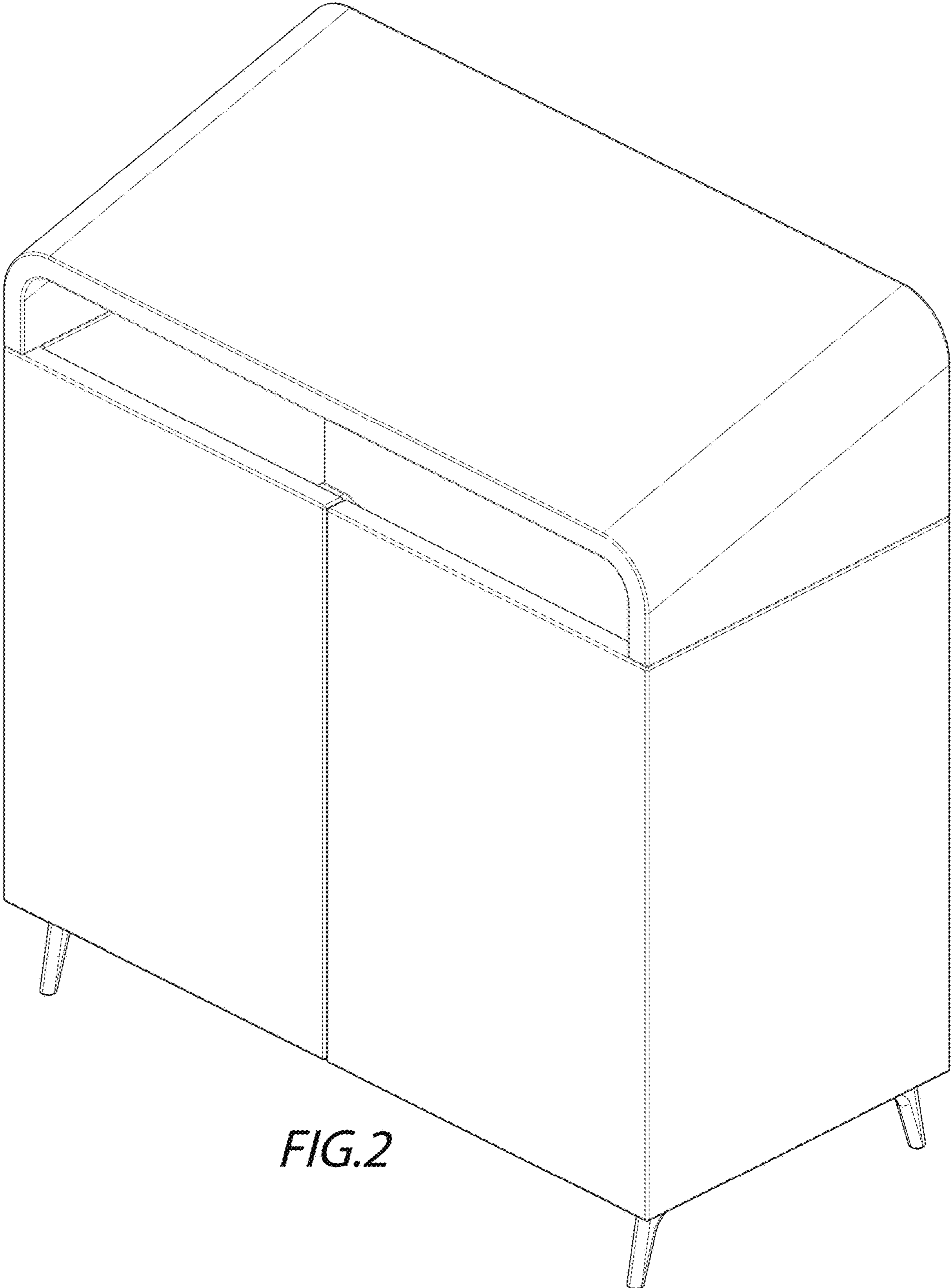


FIG. 2

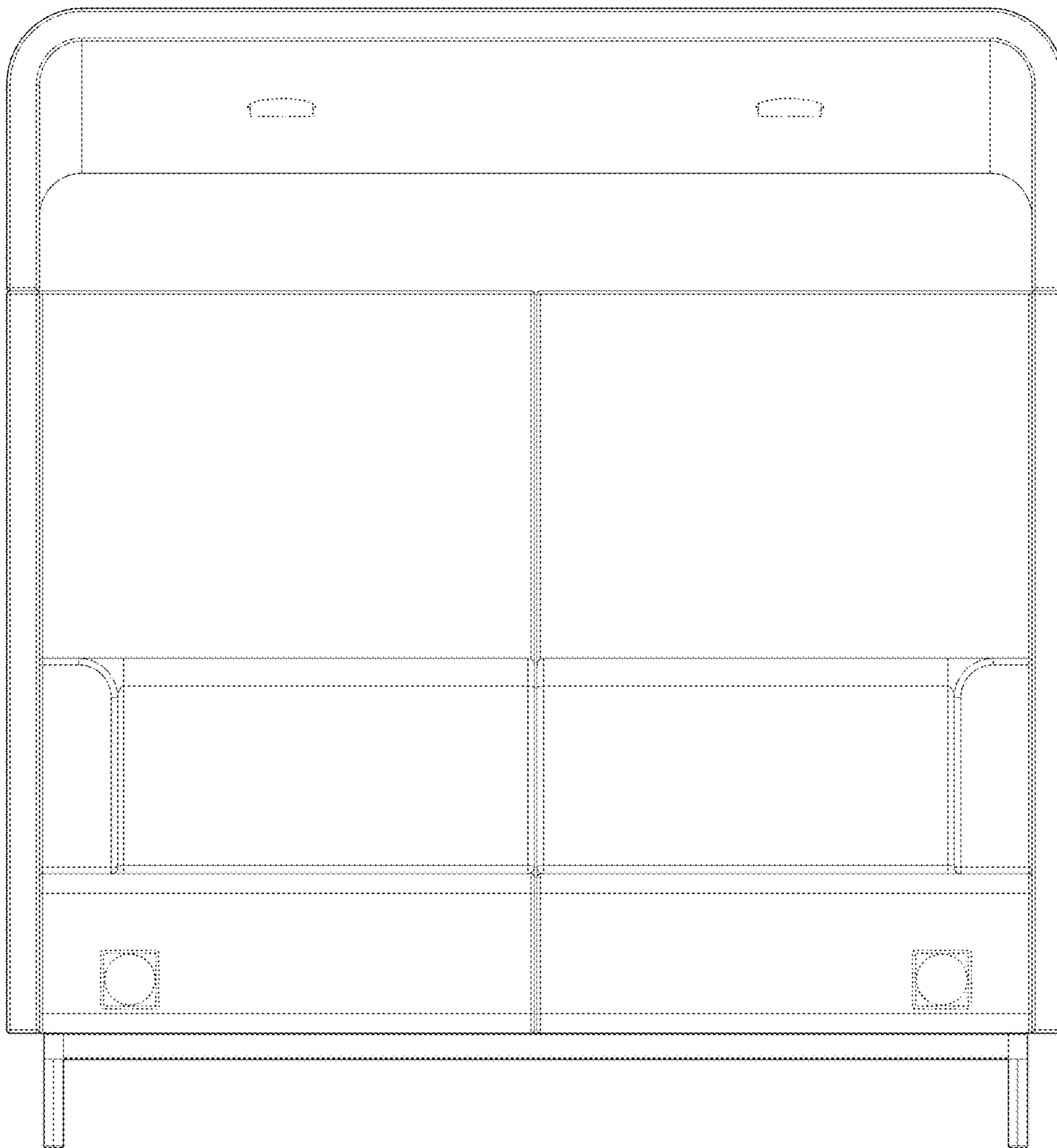


FIG. 3

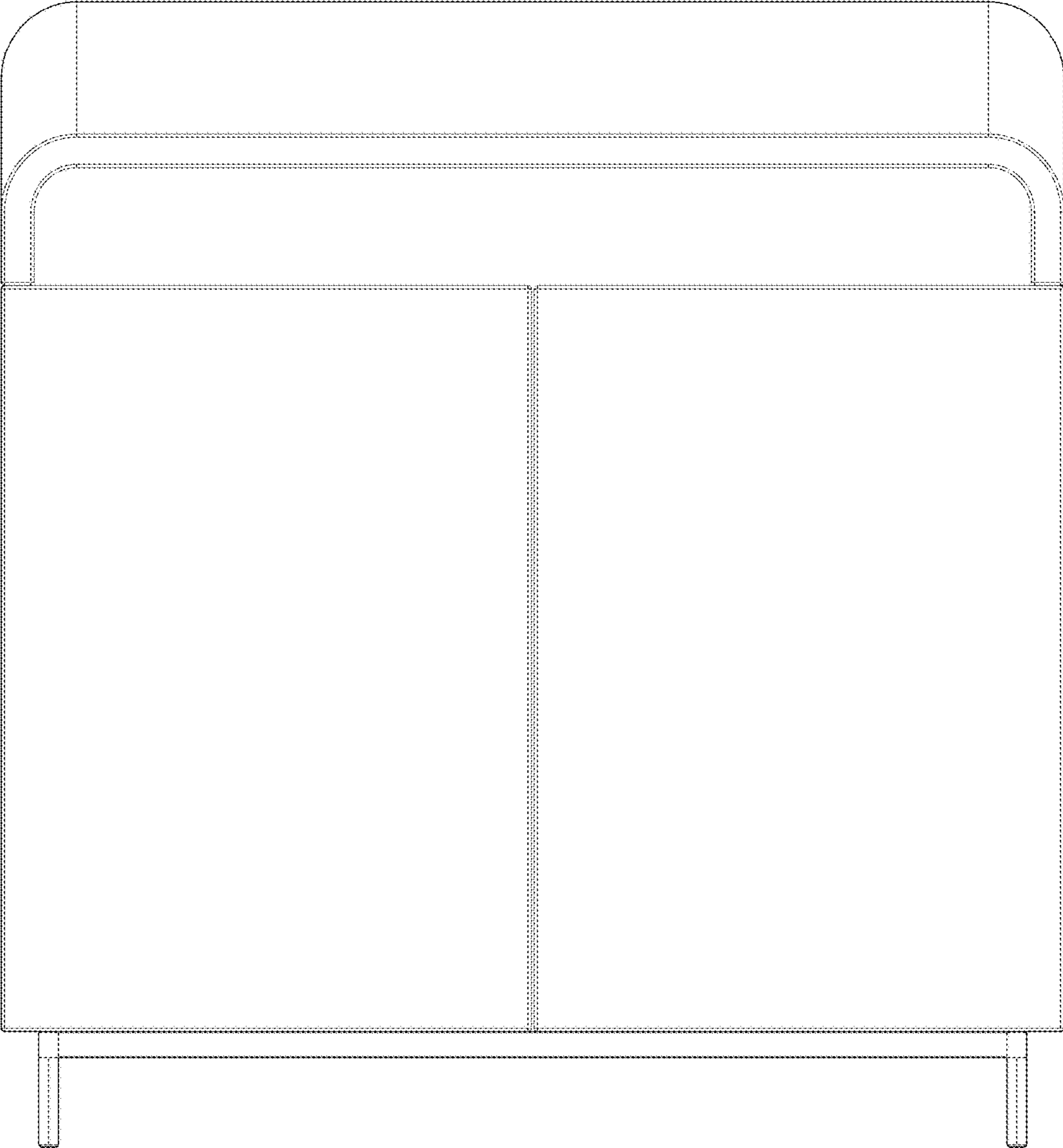


FIG.4

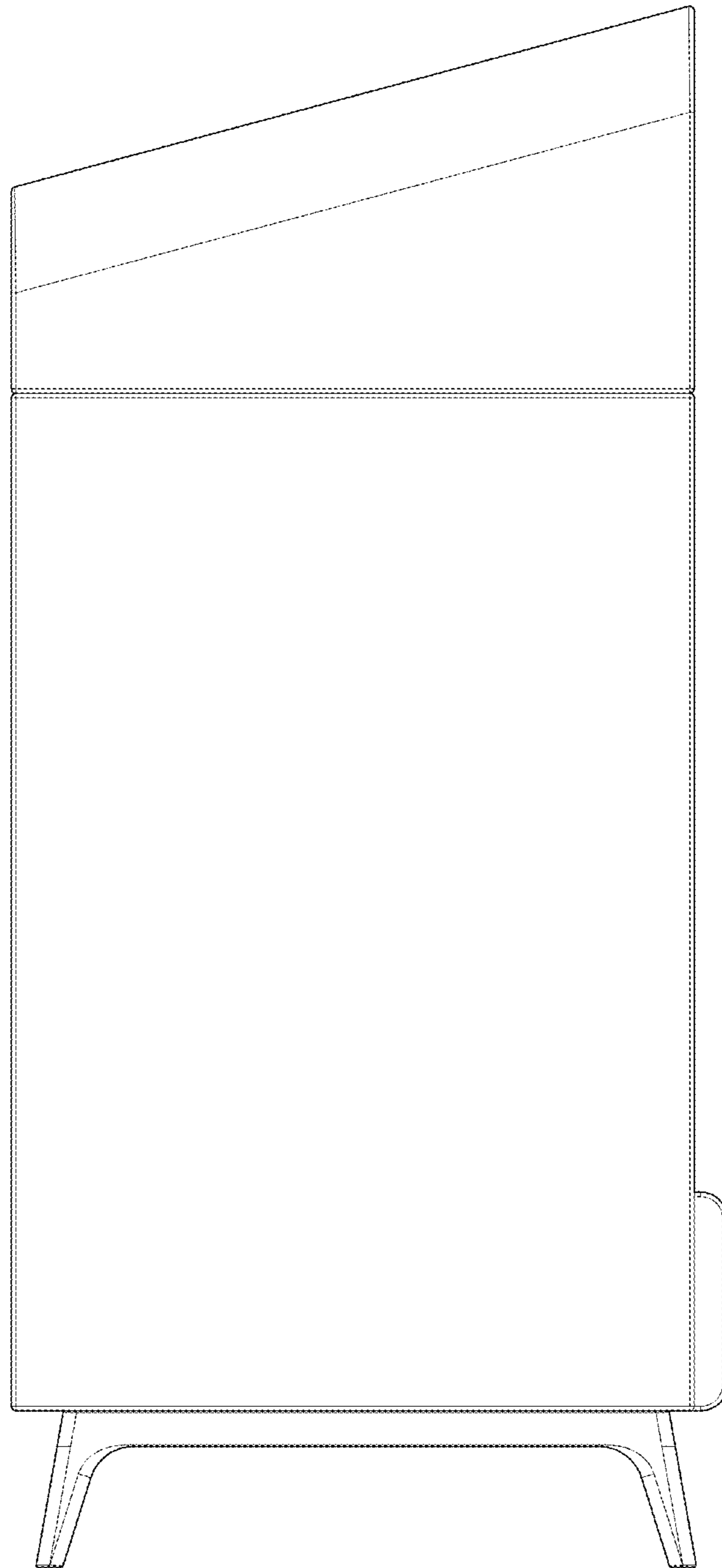


FIG. 5

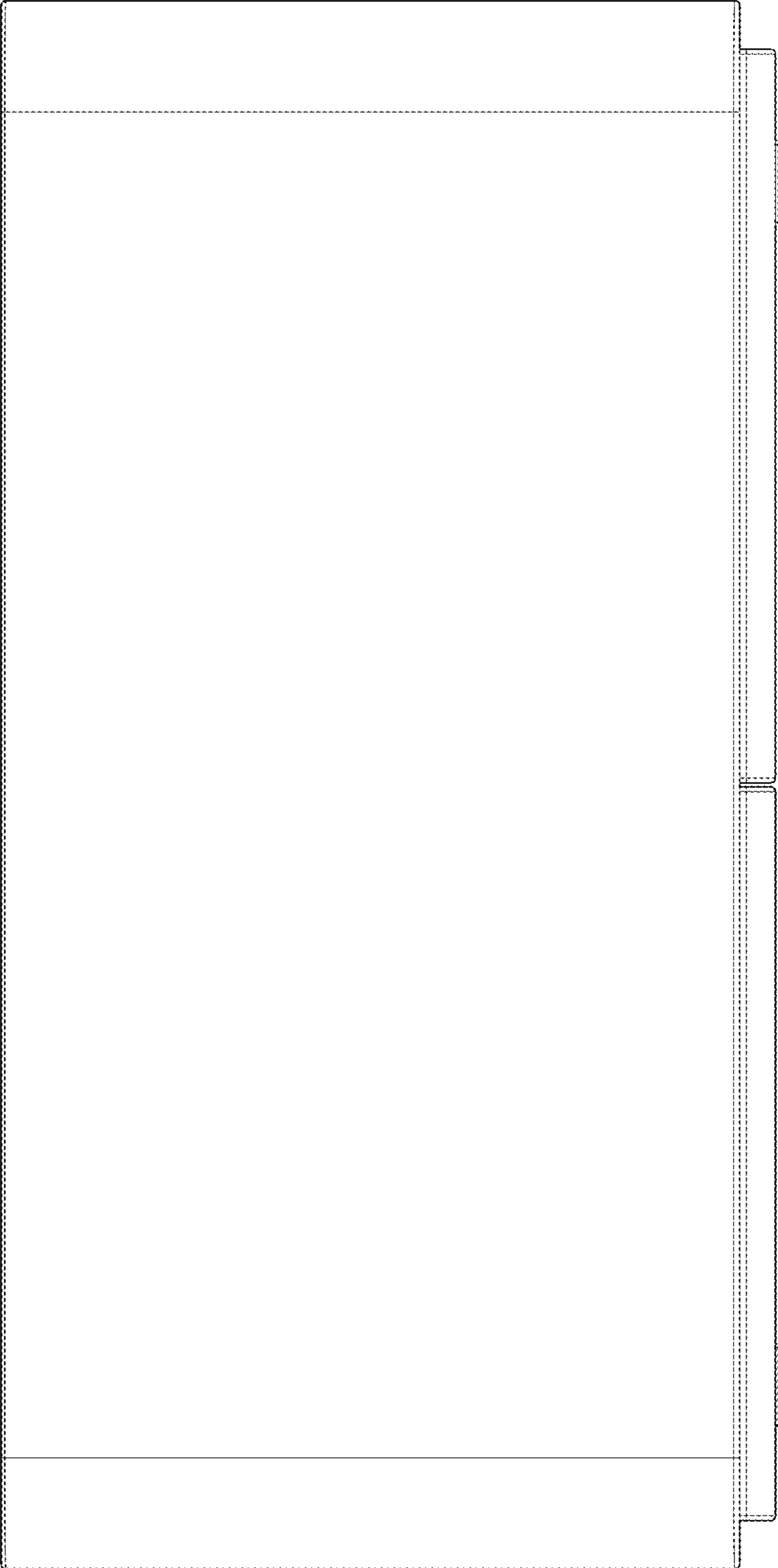


FIG.6

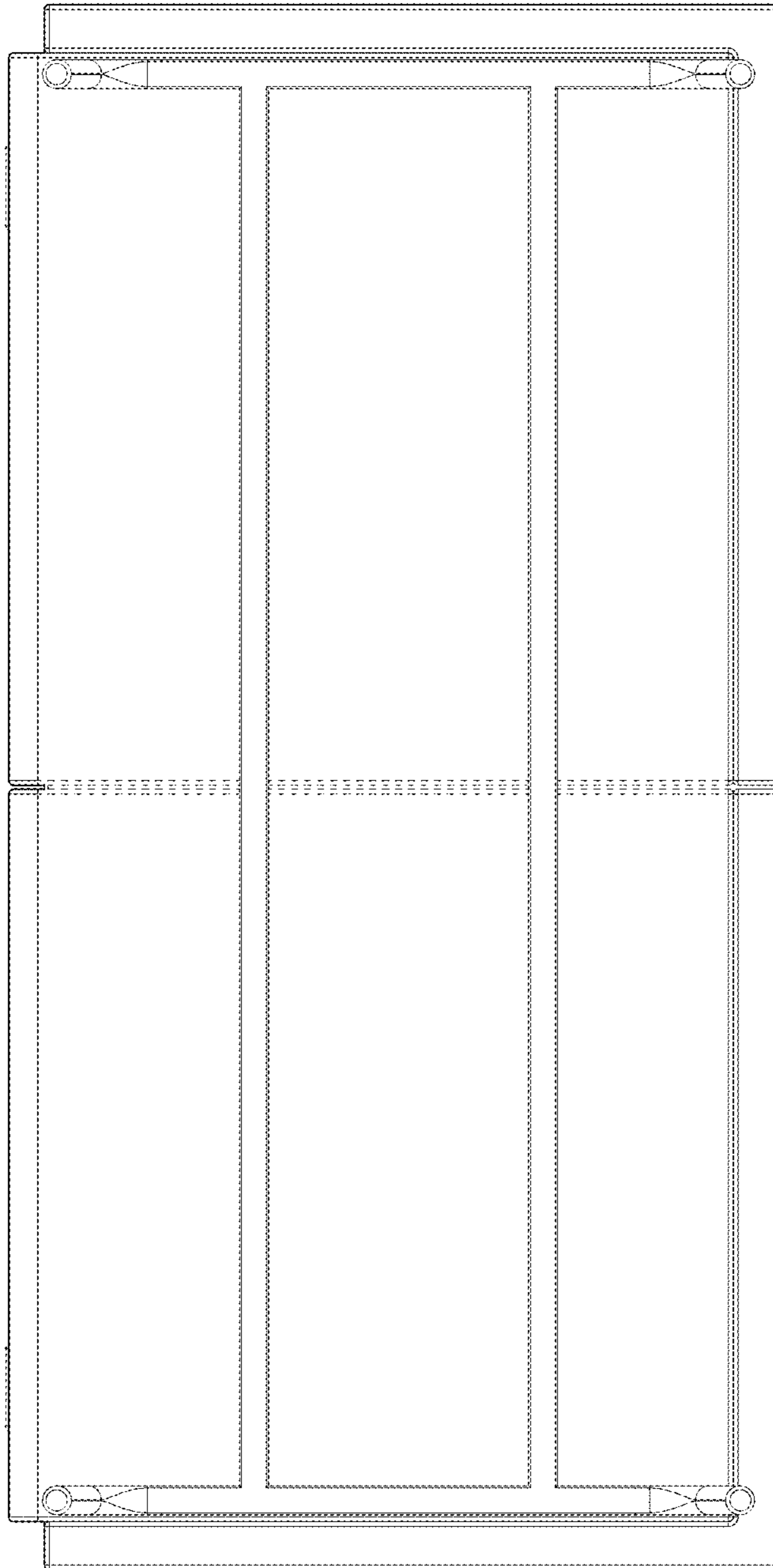


FIG. 7