



US00D787205S

(12) **United States Design Patent**
Attia et al.

(10) **Patent No.:** **US D787,205 S**
(45) **Date of Patent:** **** May 23, 2017**

- (54) **RELAXATION APPARATUS
MICROENVIRONMENT ENCLOSURE**
- (71) Applicants: **Sarah Beth Attia**, Santa Monica, CA
(US); **Steven Joyner**, Los Angeles, CA
(US); **Jason Pilarski**, Los Angeles, CA
(US)
- (72) Inventors: **Sarah Beth Attia**, Santa Monica, CA
(US); **Steven Joyner**, Los Angeles, CA
(US); **Jason Pilarski**, Los Angeles, CA
(US)
- (**) Term: **15 Years**
- (21) Appl. No.: **29/534,576**
- (22) Filed: **Jul. 29, 2015**
- (51) **LOC (10) Cl.** **06-01**
- (52) **U.S. Cl.**
USPC **D6/335**
- (58) **Field of Classification Search**
USPC D6/334, 335, 336, 360, 361, 367, 368,
D6/371-375, 379-381, 716, 716.1-716.8;
D21/236; D24/202
CPC A47C 7/00; A47C 7/62; A47C 7/18; A47C
7/54; A47C 4/00; A47C 4/028; A47C
4/28; A47C 3/16; A47C 3/04; A47C 3/12;
A47C 1/02; A47C 1/14
See application file for complete search history.

(56) **References Cited**

U.S. PATENT DOCUMENTS

- 3,620,570 A * 11/1971 Wilson B63C 9/30
297/411.42
- 3,999,801 A * 12/1976 Walters A47C 27/086
297/133
- D272,280 S * 1/1984 McKay D23/202
- D273,541 S * 4/1984 Powell D6/335
- D275,605 S * 9/1984 Taylor D23/277

- 4,470,631 A * 9/1984 Powell A47C 7/66
297/184.11
- 4,826,245 A * 5/1989 Entratter A47C 7/72
248/917
- D317,650 S * 6/1991 Soder D24/202
- 5,171,059 A * 12/1992 Patrick A47C 7/66
135/901
- D346,070 S * 4/1994 Kither D6/333
- D453,834 S * 2/2002 Daffer D24/202
- D549,981 S * 9/2007 Kreiss D6/381
- D557,948 S * 12/2007 Ng D6/716.8
- D571,564 S * 6/2008 Schmidt D6/335
- D653,468 S * 2/2012 Hsieh D6/367
- D706,046 S * 6/2014 Habiche D6/361
- 8,777,311 B1 * 7/2014 Laurel, Jr. A47D 1/00
297/217.3
- D719,369 S * 12/2014 Sampietro D6/381
- D744,256 S * 12/2015 Schoors D25/16
- D747,418 S * 1/2016 Wards D21/325

(Continued)

OTHER PUBLICATIONS

Attia, Sarah. "Somadome Reshoot Small." YouTube. YouTube, Feb. 22, 2014. Web. Feb. 6, 2017. <<https://www.youtube.com/watch?v=hPUUpFxfVfM>>.*

Primary Examiner — Deanna L Pratt

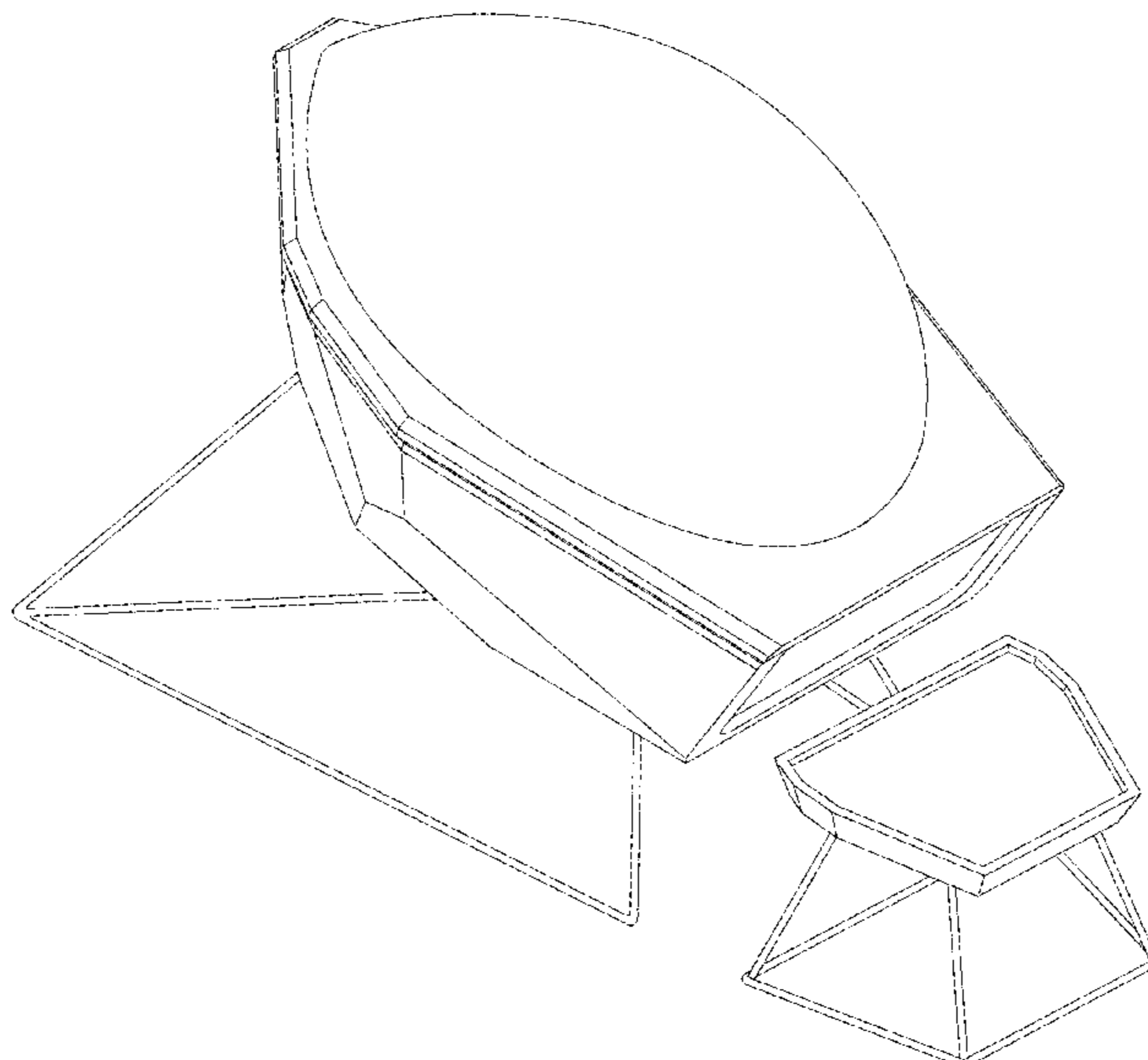
(57) **CLAIM**

We claim the ornamental design for a relaxation apparatus microenvironment enclosure, as shown and described.

DESCRIPTION

FIG. 1 is a front elevation view showing our design; FIG. 2 is a left side elevation view thereof; FIG. 3 is a rear elevation view thereof; FIG. 4 is right side elevation view thereof; FIG. 5 is a top plan view thereof; FIG. 6 is a bottom plan view thereof; and, FIG. 7 is a right perspective view thereof.

1 Claim, 7 Drawing Sheets



(56)

References Cited

U.S. PATENT DOCUMENTS

D761,575 S * 7/2016 Preston D6/335
D773,842 S * 12/2016 Frankel D6/368

* cited by examiner

FIG 1

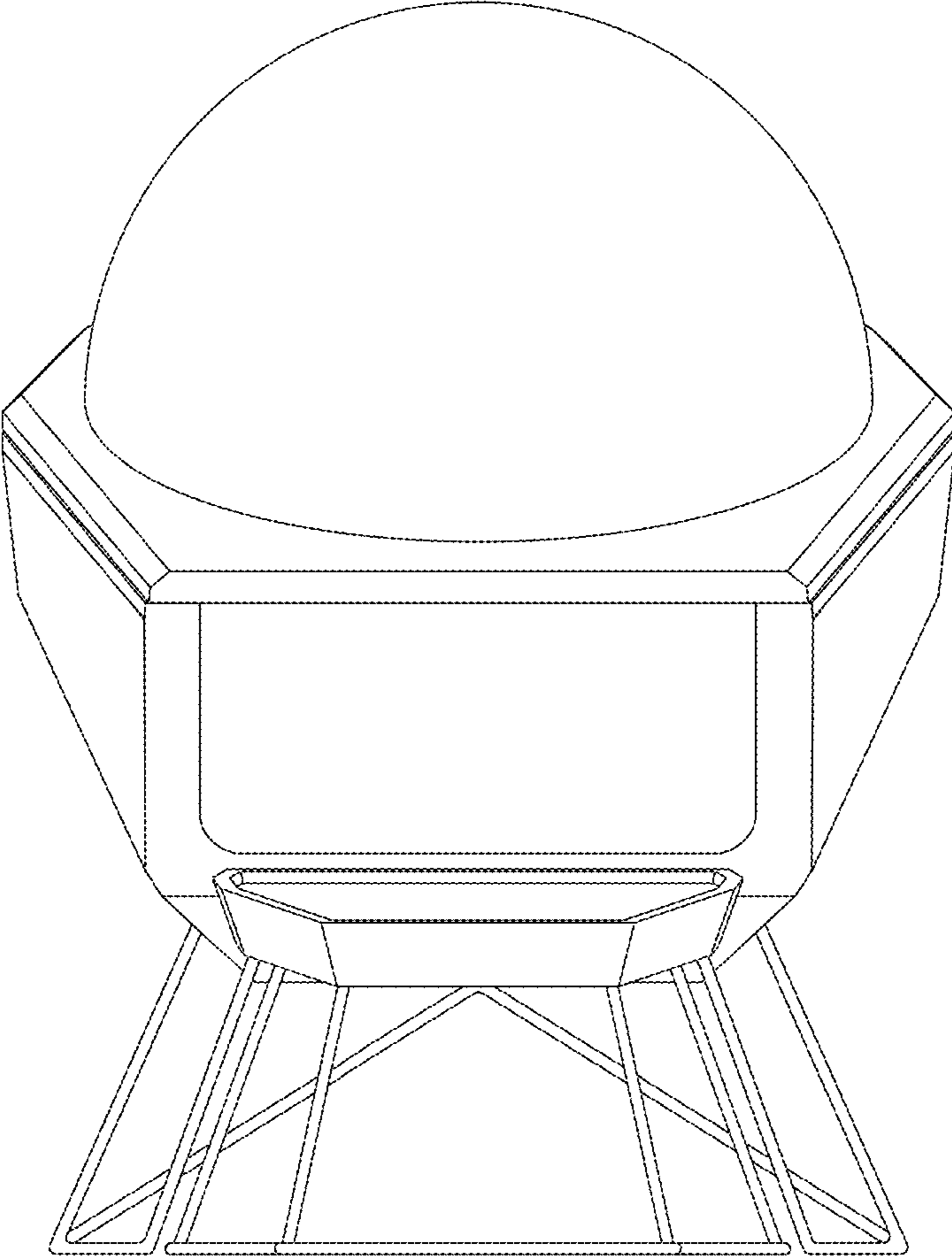


FIG 2

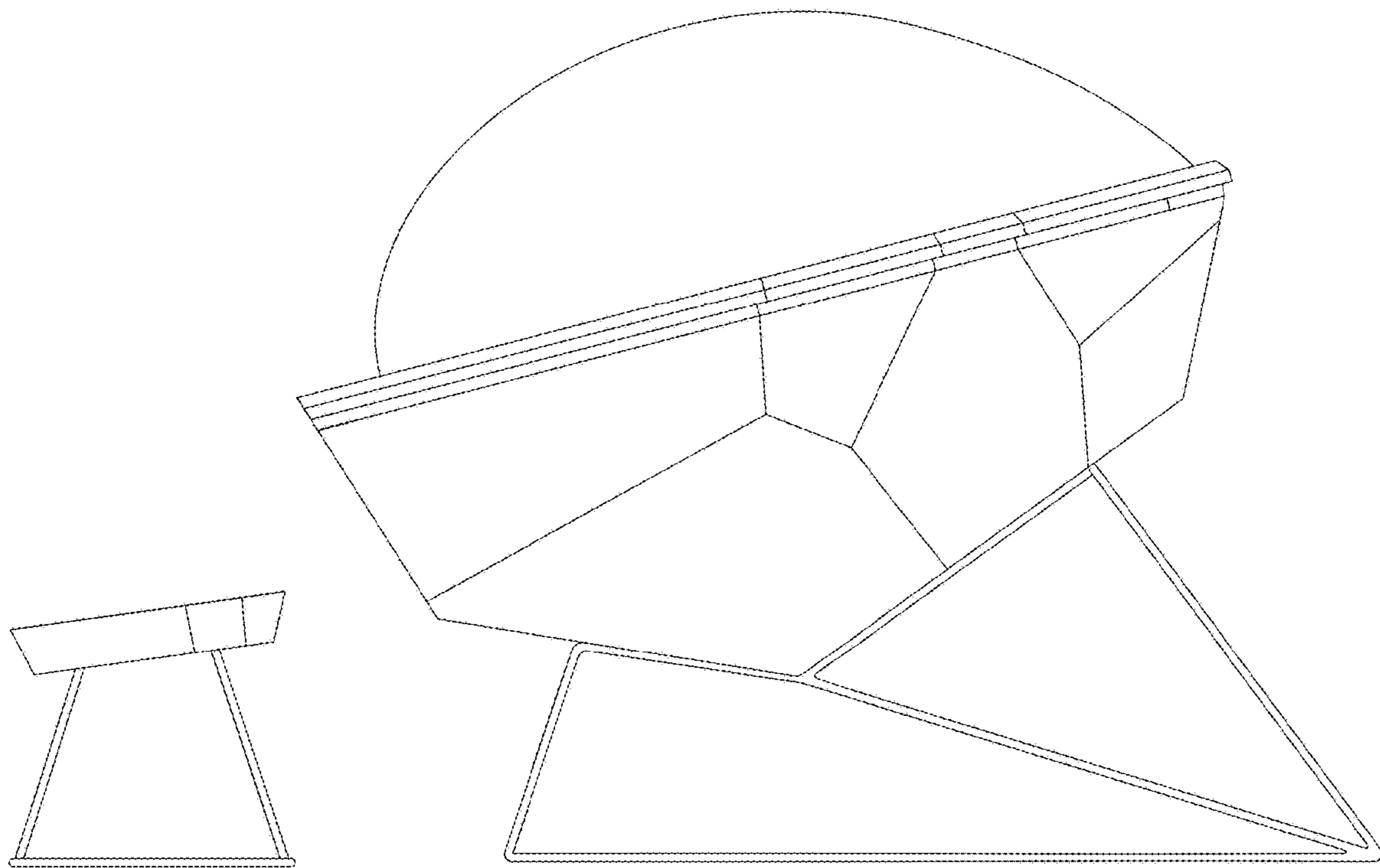


FIG 3

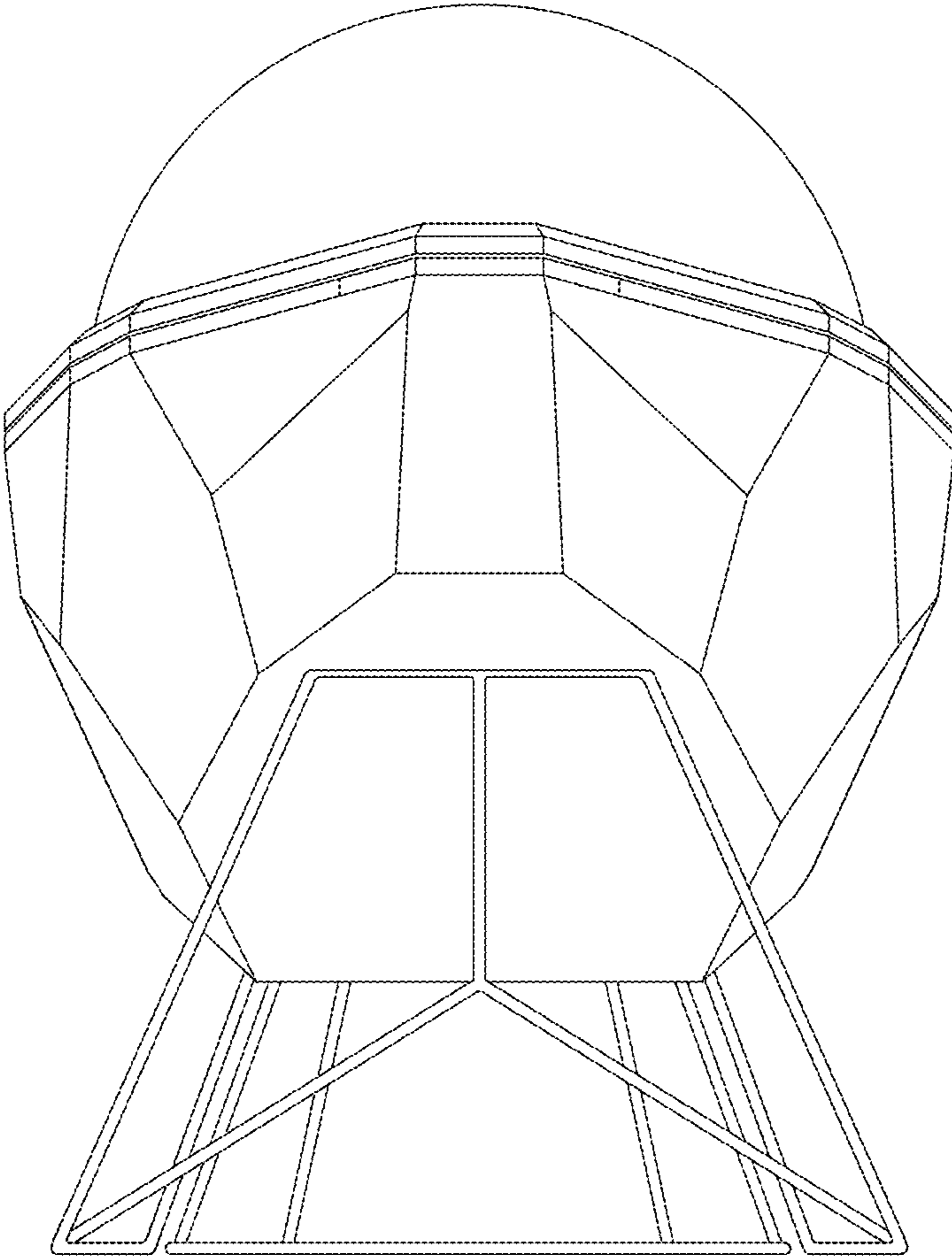


FIG 4

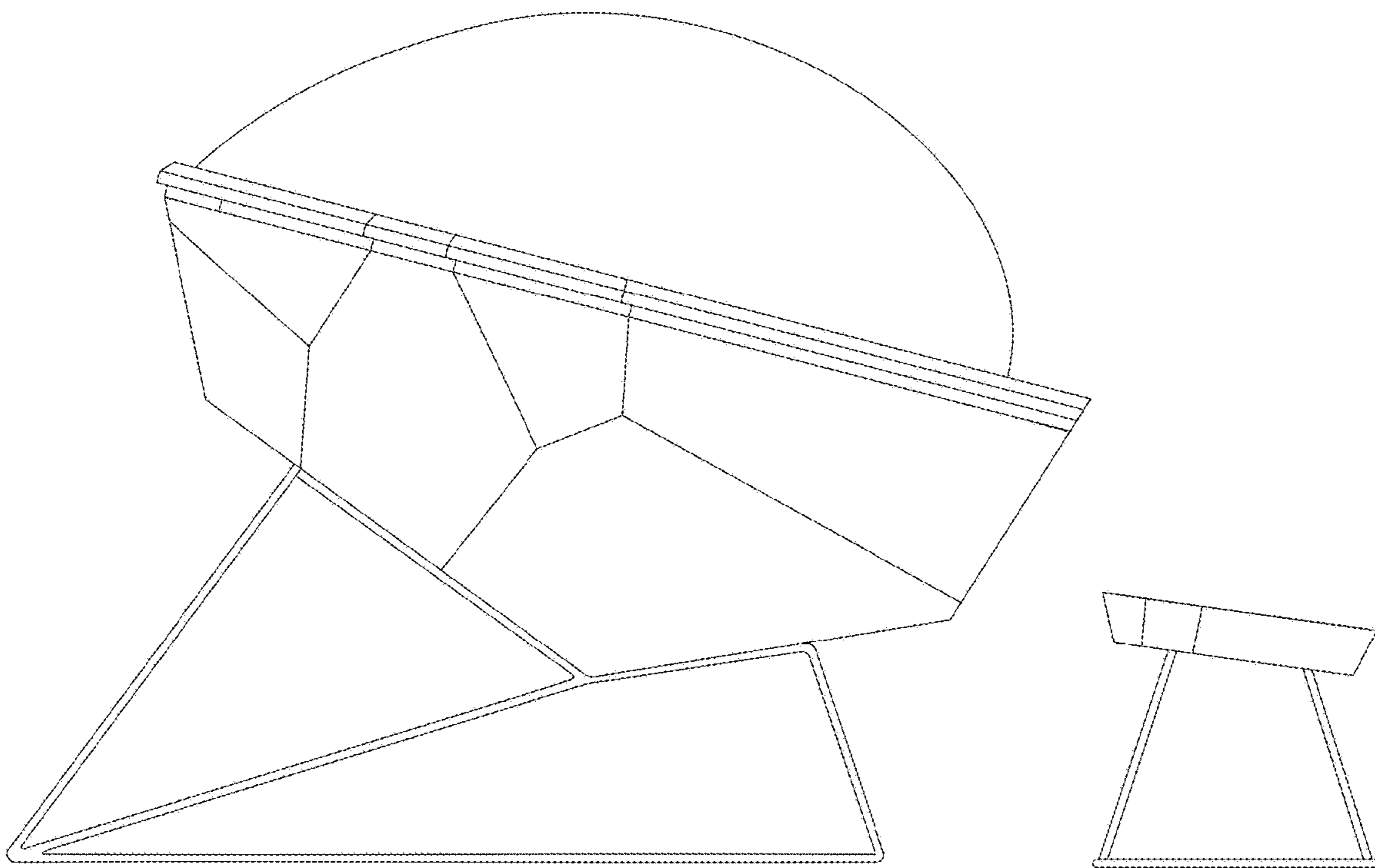


FIG 5

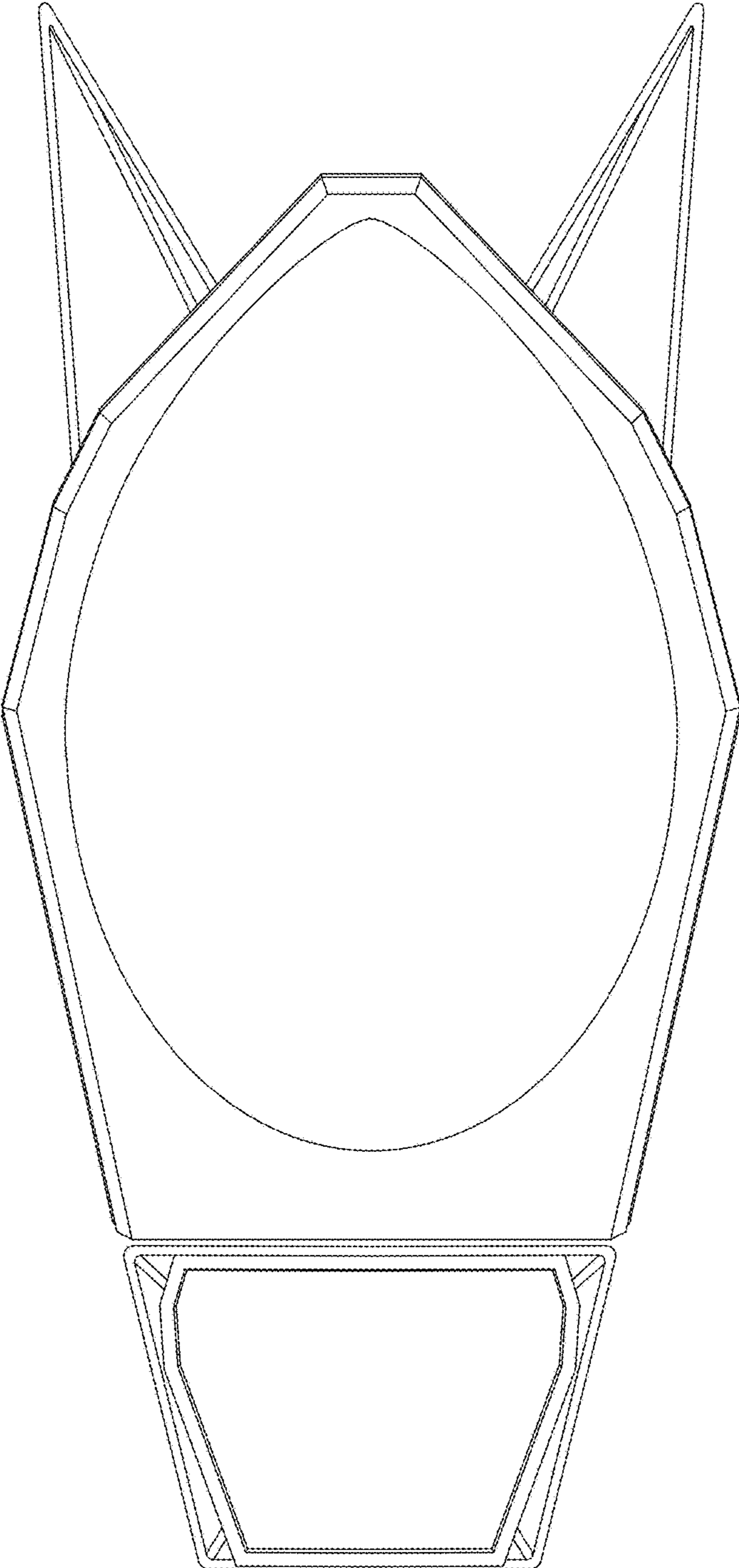


FIG 6

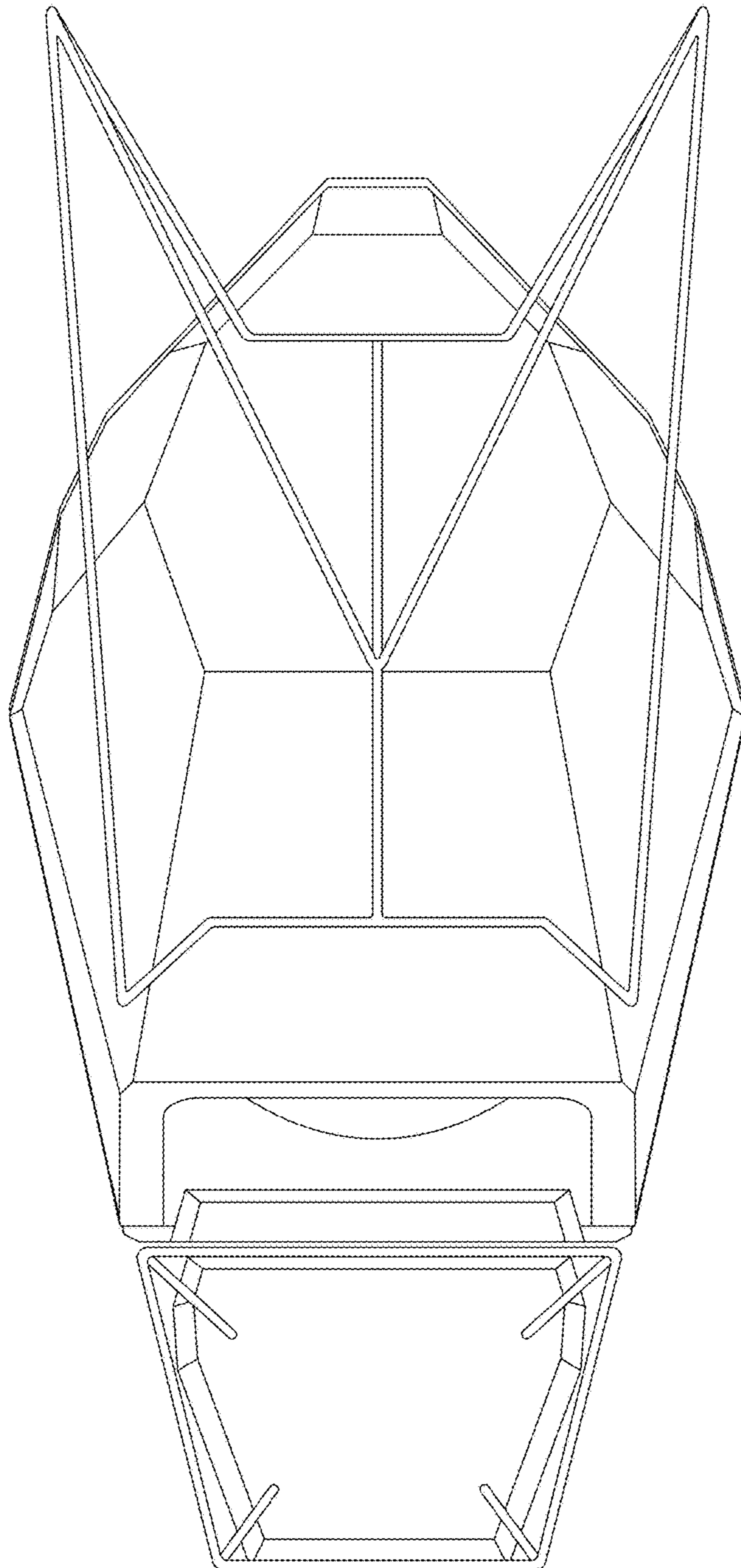


FIG 7

