



US00D787198S

(12) **United States Design Patent**  
**Lin**

(10) **Patent No.:** **US D787,198 S**

(45) **Date of Patent:** **\*\* May 23, 2017**

- (54) **COMB FOR BLOW-DRYING**
- (71) Applicant: **Show Charm Precision Electronics (Shen zhen) Co. Ltd**, Shenzhen, Guangdong (CN)
- (72) Inventor: **Weixiong Lin**, Guangdong (CN)
- (73) Assignee: **SHOW CHARM PRECISION ELECTRONICS (SHEN ZHEN) CO. LTD**, Shenzhen (CN)

D562,011 S *	2/2008	Meyer	.....	D4/130
D623,414 S *	9/2010	Wagner	.....	D4/104
D629,209 S *	12/2010	Taggart	.....	D4/133
D656,732 S *	4/2012	Vu	.....	D4/100
D669,690 S *	10/2012	Jacob	.....	D4/133
D684,375 S *	6/2013	Bona-Kustra	.....	D4/138
D685,193 S *	7/2013	Kaijun	.....	D4/199
D721,233 S *	1/2015	Schuler	.....	D4/133
D724,849 S *	3/2015	Schuler	.....	D4/133
D753,399 S *	4/2016	Owen	.....	D4/100
D763,579 S *	8/2016	Thomas	.....	D4/133
D766,589 S *	9/2016	Cheung	.....	D4/136

\* cited by examiner

(\*\*) Term: **15 Years**

*Primary Examiner* — Austin Murphy

(21) Appl. No.: **29/562,392**

(57) **CLAIM**

(22) Filed: **Apr. 26, 2016**

The ornamental design for a comb for blow-drying, as shown and described.

(51) **LOC (10) Cl.** ..... **04-99**

**DESCRIPTION**

(52) **U.S. Cl.** ..... **D4/199**

(58) **Field of Classification Search**  
 USPC ..... D3/228, 269, 300; D4/199, 138, 133, D4/100, 104; D9/702, 711, 712; 15/246, 15/247; 150/161; 206/15.3, 284, 361, 206/362.2, 362.3, 362.4; 428/34.3  
 CPC .. A46B 17/04; A46B 2200/202; B65D 25/105  
 See application file for complete search history.

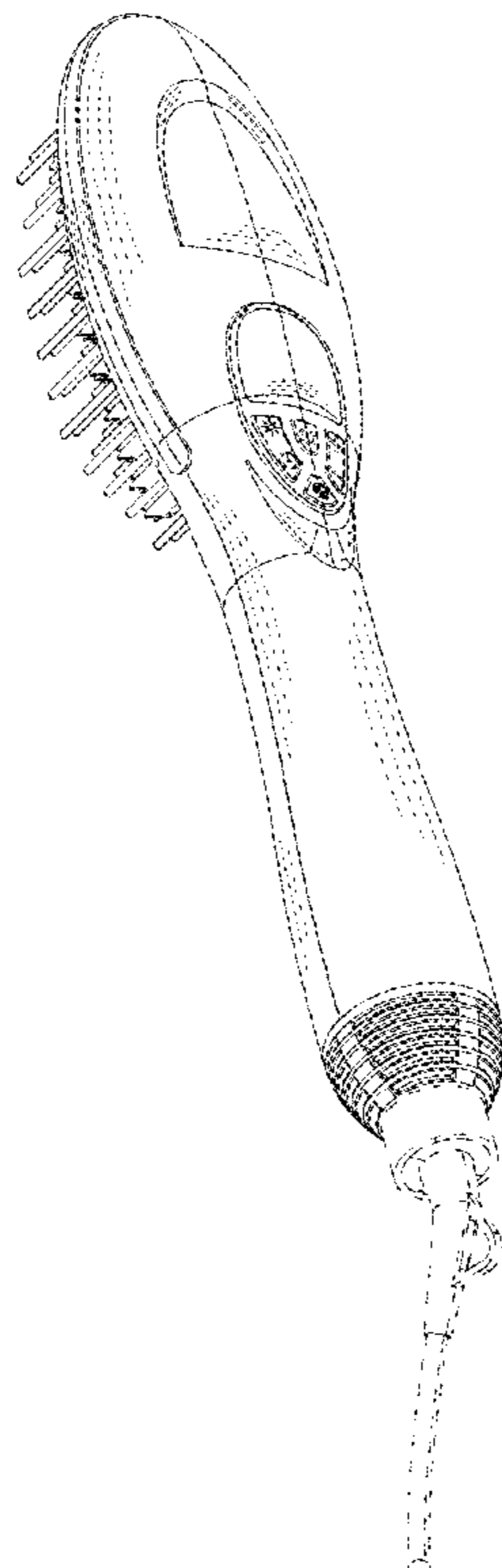
FIG. 1 is a front elevational view of a comb for blow-drying showing my new design;  
 FIG. 2 is a rear elevational view thereof;  
 FIG. 3 is a left side view thereof;  
 FIG. 4 is a right side view thereof;  
 FIG. 5 is a top plan view thereof;  
 FIG. 6 is an enlarged view of FIG. 5;  
 FIG. 7 is a first perspective view thereof;  
 FIG. 8 is a second perspective view thereof; and,  
 FIG. 9 is a third perspective view thereof.  
 The broken lines are for illustrative purposes only and form no part of the claimed design.

(56) **References Cited**

**U.S. PATENT DOCUMENTS**

D172,747 S *	8/1954	Glanvill et al.	.....	D4/199
D346,499 S *	5/1994	Berti	.....	D4/132

**1 Claim, 8 Drawing Sheets**



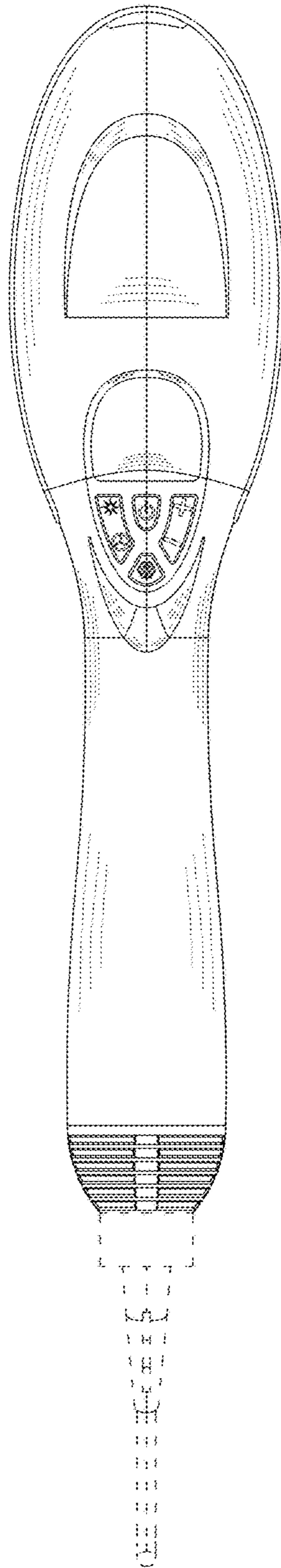


Fig.1

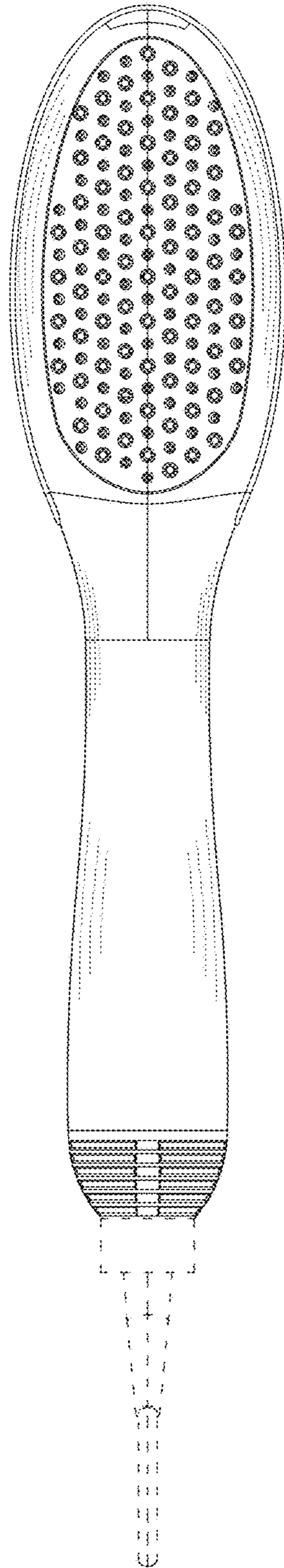


Fig.2

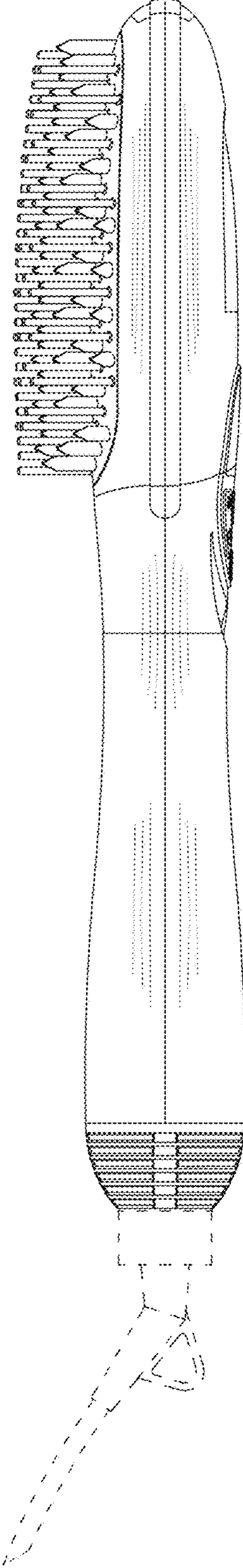


Fig.3

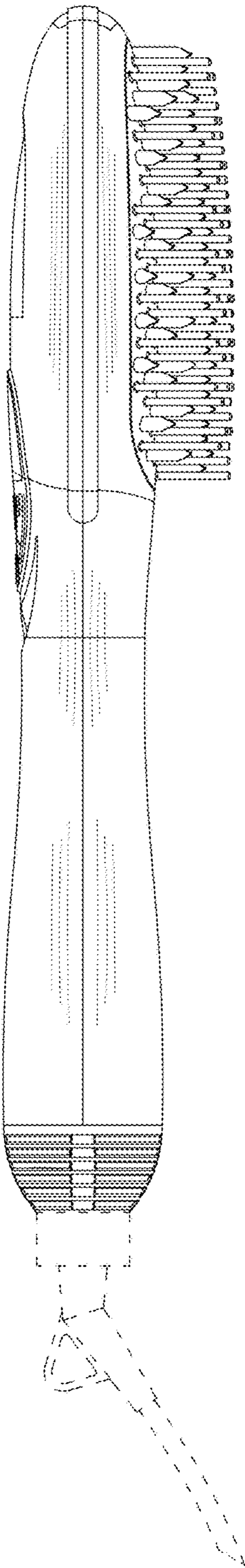


Fig.4



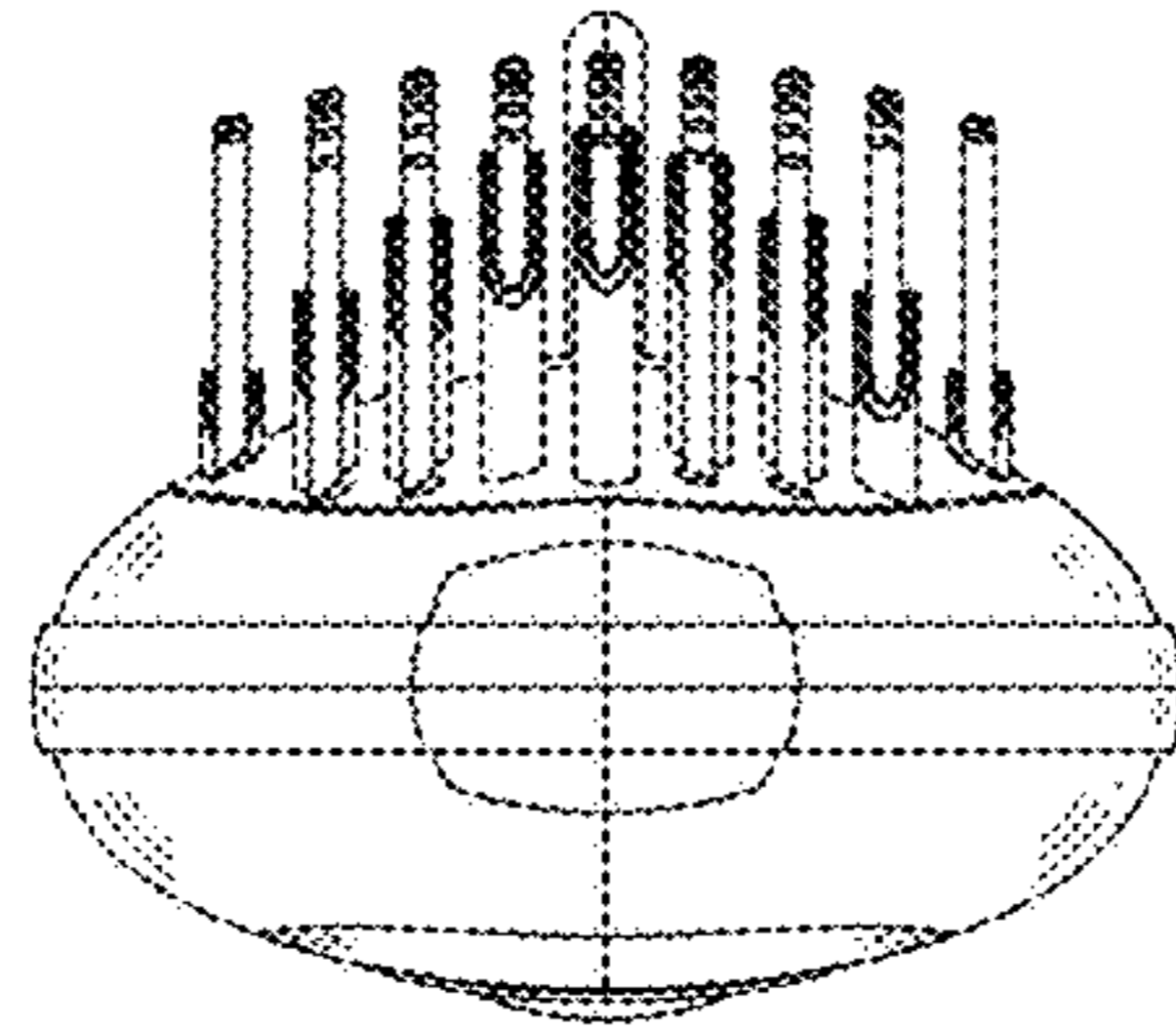


Fig.5

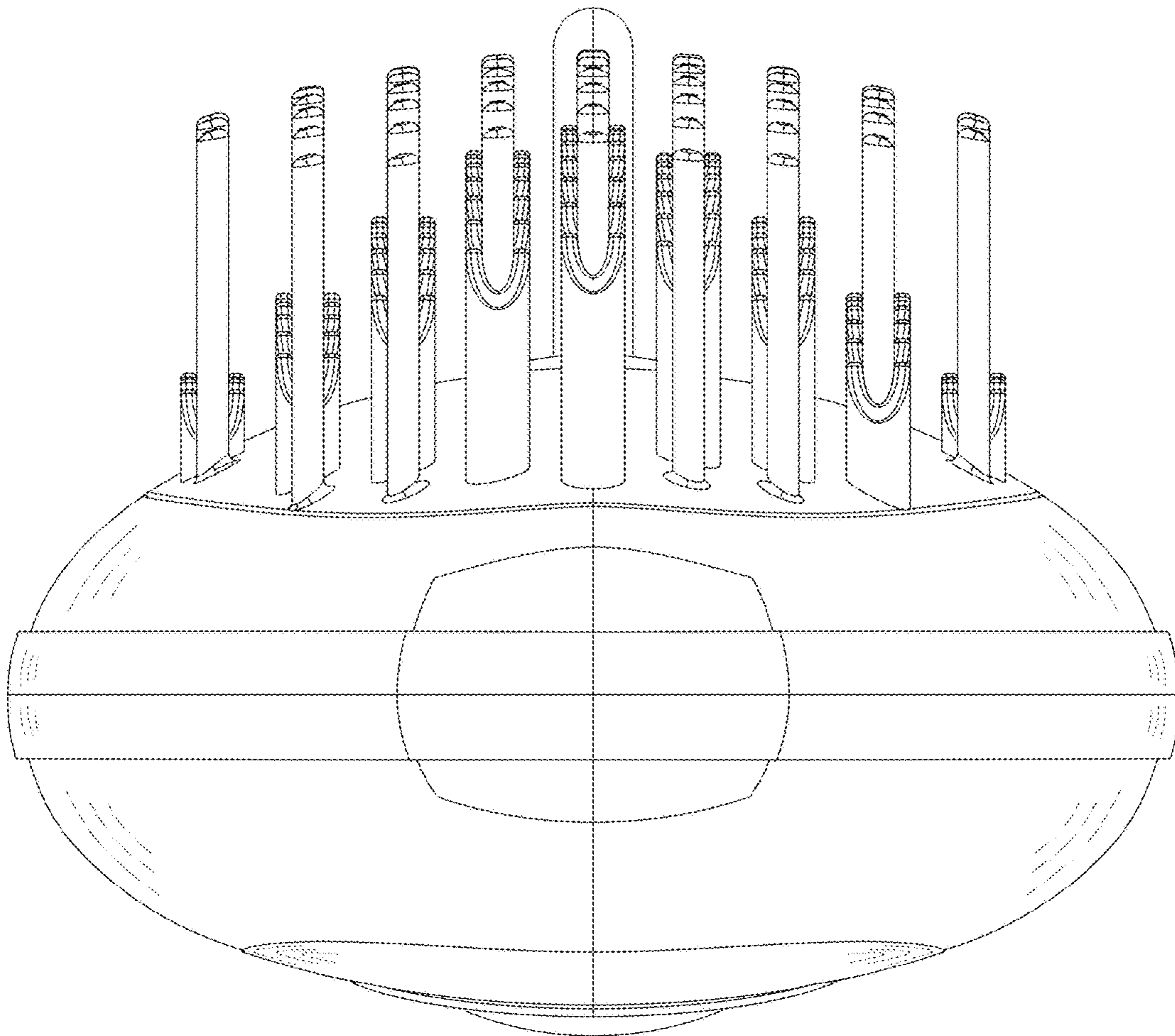


Fig.6

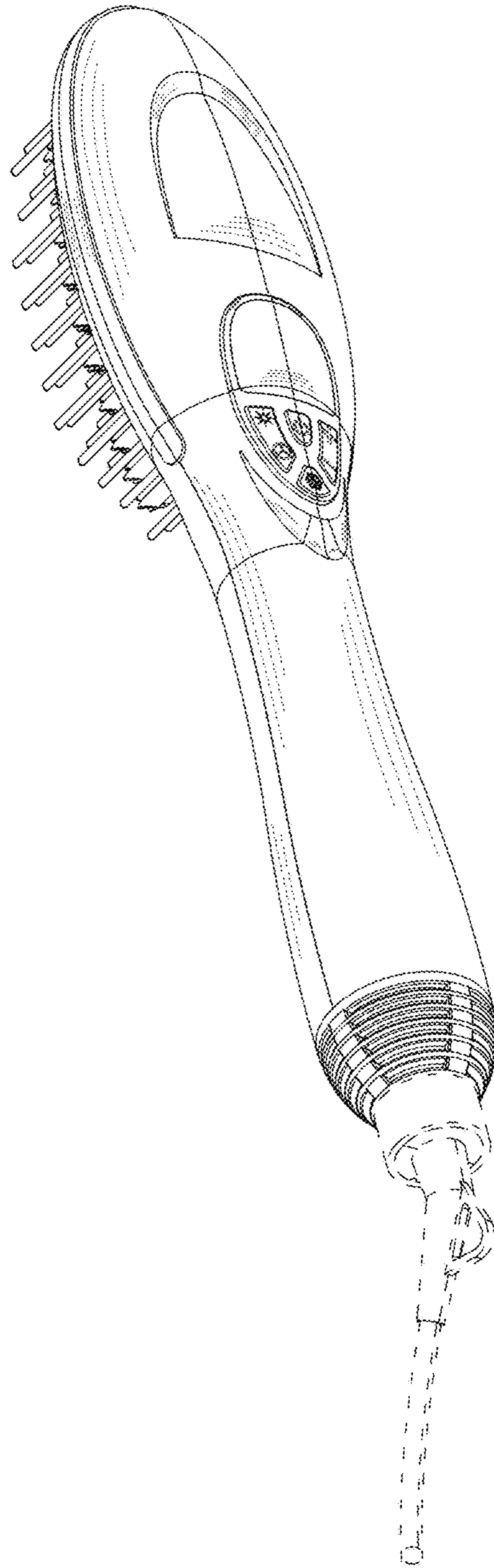


Fig. 7

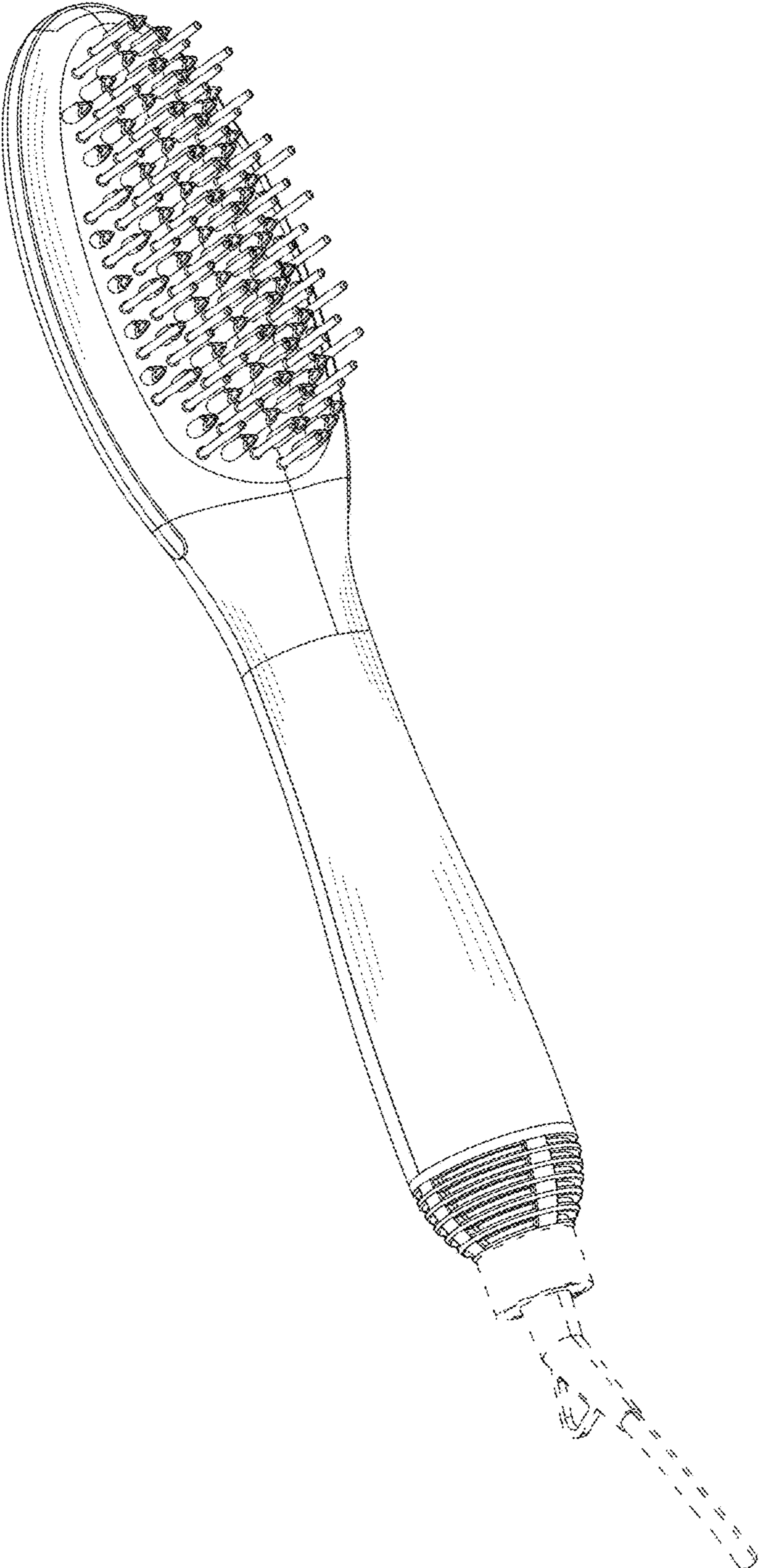


Fig. 8



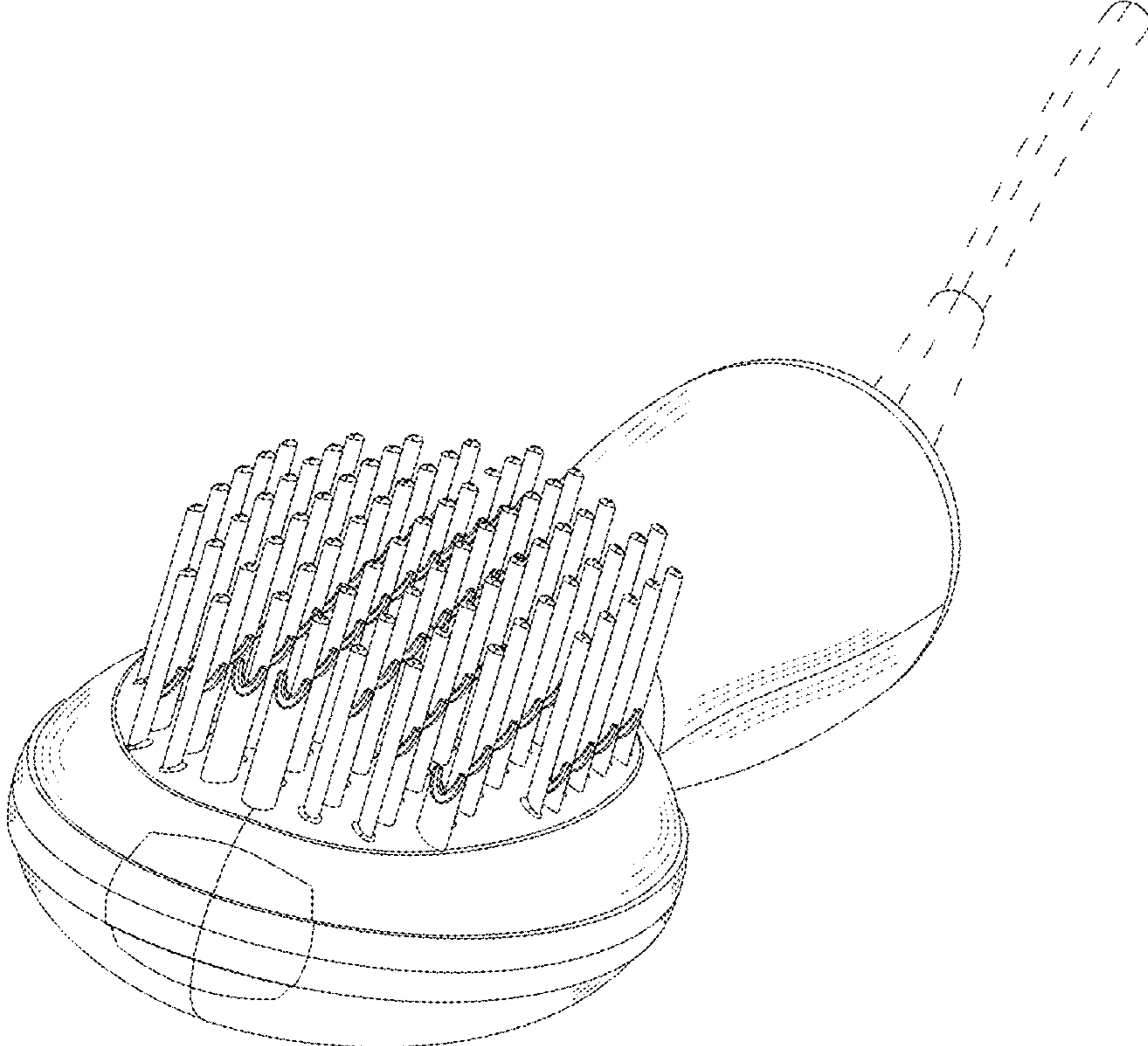


Fig. 9