



US00D787197S

(12) **United States Design Patent** (10) **Patent No.:** **US D787,197 S**
Sirpal (45) **Date of Patent:** **** May 23, 2017**

(54) **SELF-STANDING CLEANING TOOL**

4,358,123 A * 11/1982 Richards A47L 13/24
15/246

(71) Applicant: **Ranjiv Sirpal**, Brampton (CA)

4,741,149 A * 5/1988 vom Braucke A01G 1/12
15/111

(72) Inventor: **Ranjiv Sirpal**, Brampton (CA)

4,819,293 A * 4/1989 Nicholson A46B 5/0075
15/1.7

(73) Assignee: **Humanhaus Inc.**, Brampton, Ontario (CA)

(Continued)

(**) Term: **15 Years**

Primary Examiner — John Windmuller

Assistant Examiner — Steven Czyz

(74) *Attorney, Agent, or Firm* — Ridout & Maybee

(21) Appl. No.: **29/540,508**

(57) **CLAIM**

(22) Filed: **Sep. 25, 2015**

The ornamental design for a self-standing cleaning tool, as shown and described.

(51) **LOC (10) Cl.** **04-99**

(52) **U.S. Cl.**

USPC **D4/199**

(58) **Field of Classification Search**

USPC D4/116, 118, 121, 135, 138, 199;
D6/554; D32/15, 25, 38, 39, 50, 51, 52

CPC A46B 17/00; A46B 17/06; A46B 17/08;
A46B 15/0095; A46B 15/0097; F16M

11/06; F16M 11/10; F16M 11/12; B25H
1/0021; B25H 1/0028; B25H 1/0042

See application file for complete search history.

DESCRIPTION

FIG. 1 is a front and/or back perspective view of a self-standing cleaning tool, with the legs in the extended position, showing the new design;

FIG. 2 is a front and/or back perspective view from bottom to the top thereof;

FIG. 3 is a right elevational view thereof;

FIG. 4 is a front and/or back elevational view thereof;

FIG. 5 is a left elevational view thereof;

FIG. 6 is a top plan view thereof;

FIG. 7 is a bottom plan view thereof;

FIG. 8 is a front and/or back perspective view from the top to the bottom of the self-standing cleaning tool, with the legs in the contracted position, showing the new design;

FIG. 9 is a front and/or back perspective view from bottom to the top thereof;

FIG. 10 is a right elevational view thereof;

FIG. 11 is a front and/or back elevational view thereof;

FIG. 12 is a left elevational view thereof;

FIG. 13 is a top plan view thereof; and,

FIG. 14 is a bottom plan view thereof.

The broken lines depict portions of the article that form no part of the claimed design.

(56) **References Cited**

U.S. PATENT DOCUMENTS

539,357 A * 5/1895 Davis et al. F16M 11/10
248/688

892,525 A * 7/1908 Jorgensen et al. . A46B 15/0095
248/688

1,008,104 A * 11/1911 Ball et al. A46B 15/0095
248/688

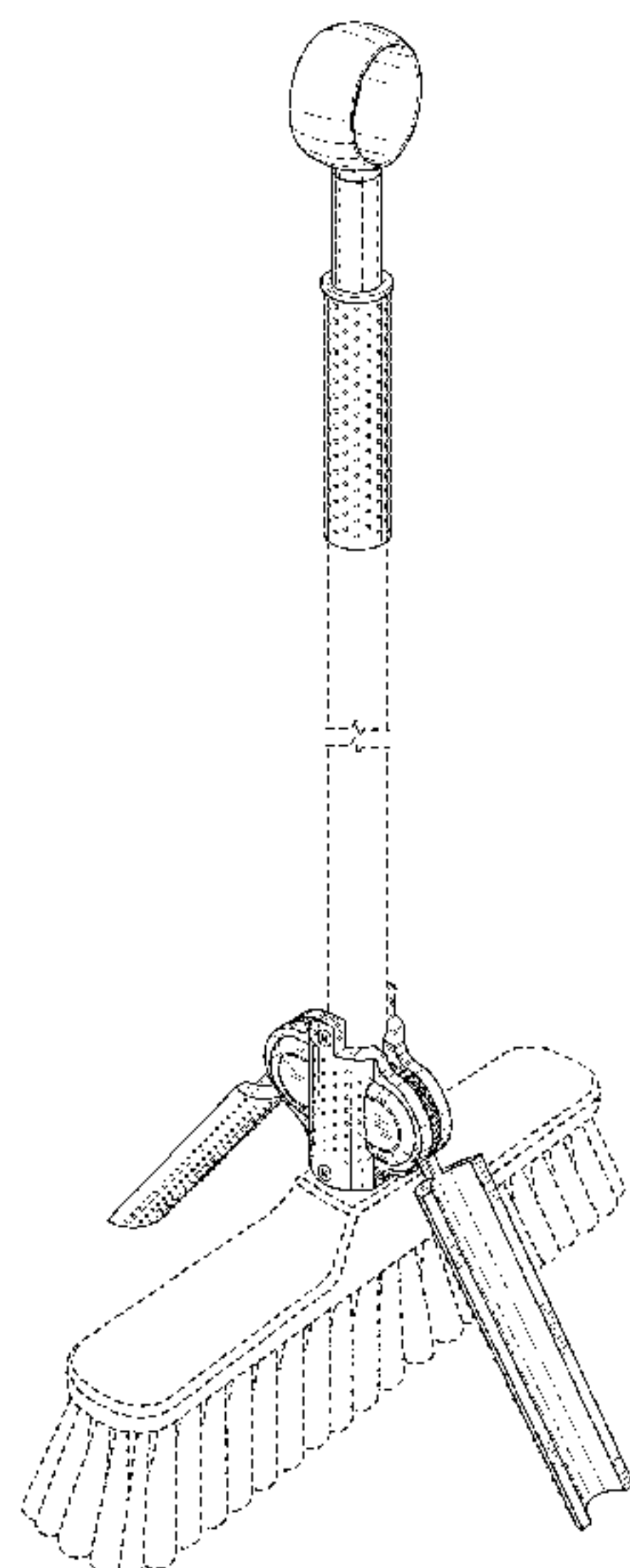
1,182,139 A * 5/1916 Brown et al. A46B 15/0095
248/688

1,752,400 A * 4/1930 Sund A46B 17/08
15/246

2,441,982 A * 5/1948 Turner A47L 13/51
248/113

3,704,479 A * 12/1972 Whitaker B25G 3/38
15/172

1 Claim, 12 Drawing Sheets



(56)

References Cited

U.S. PATENT DOCUMENTS

5,161,772 A * 11/1992 DiResta A46B 15/00
15/111
D374,352 S * 10/1996 Sartori D4/121
5,638,572 A * 6/1997 Canni Ferrari A47L 5/24
15/323
5,868,374 A * 2/1999 Lomando A46B 17/02
15/246
6,032,447 A * 3/2000 Shelton A01D 7/10
15/176.6
D456,147 S * 4/2002 Anderson D4/199
D509,066 S * 9/2005 Vosbikian D4/116
D635,774 S * 4/2011 Butts D4/100
D637,007 S * 5/2011 Miller D4/199
8,074,947 B2 * 12/2011 Cella A01B 1/00
211/70.6
D656,735 S * 4/2012 Zupan D4/116
D744,757 S * 12/2015 Schouten D4/115
D751,872 S * 3/2016 Brandon D8/1
2016/0249735 A1 * 9/2016 Reyes A46B 17/02

* cited by examiner

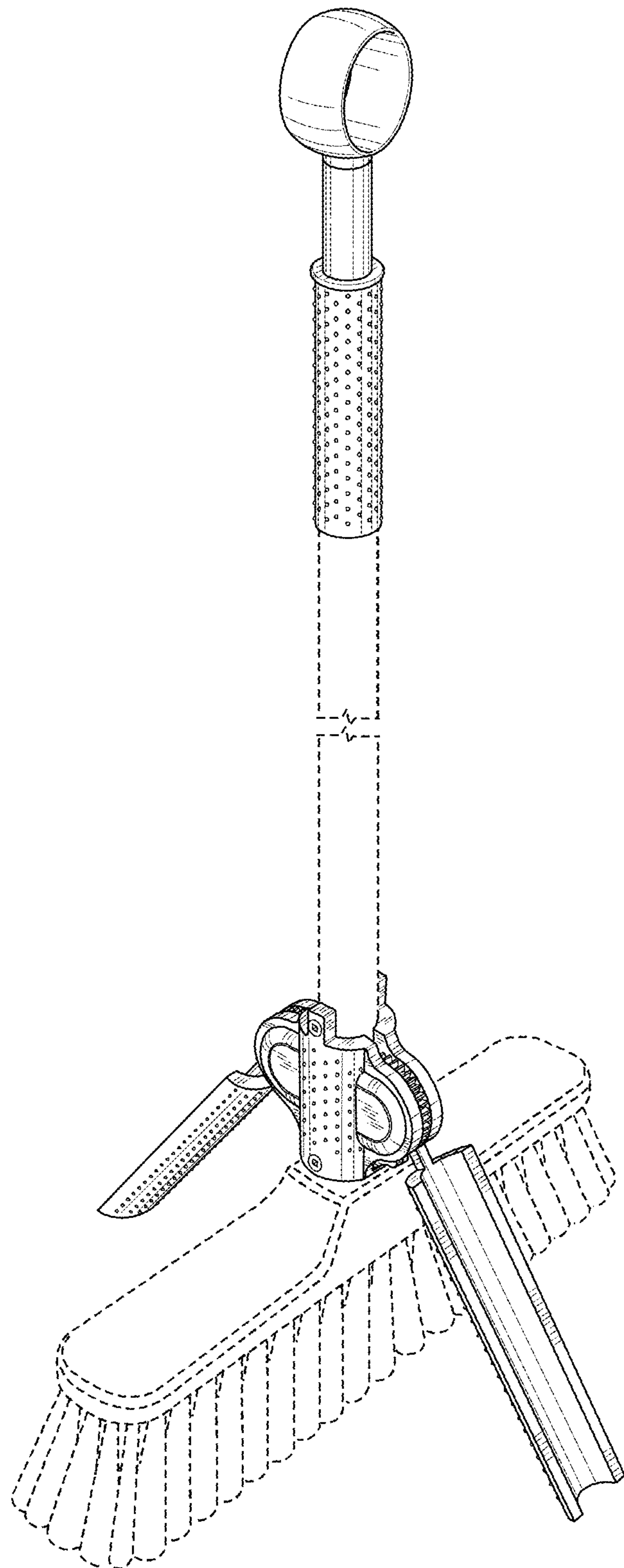


FIG. 1

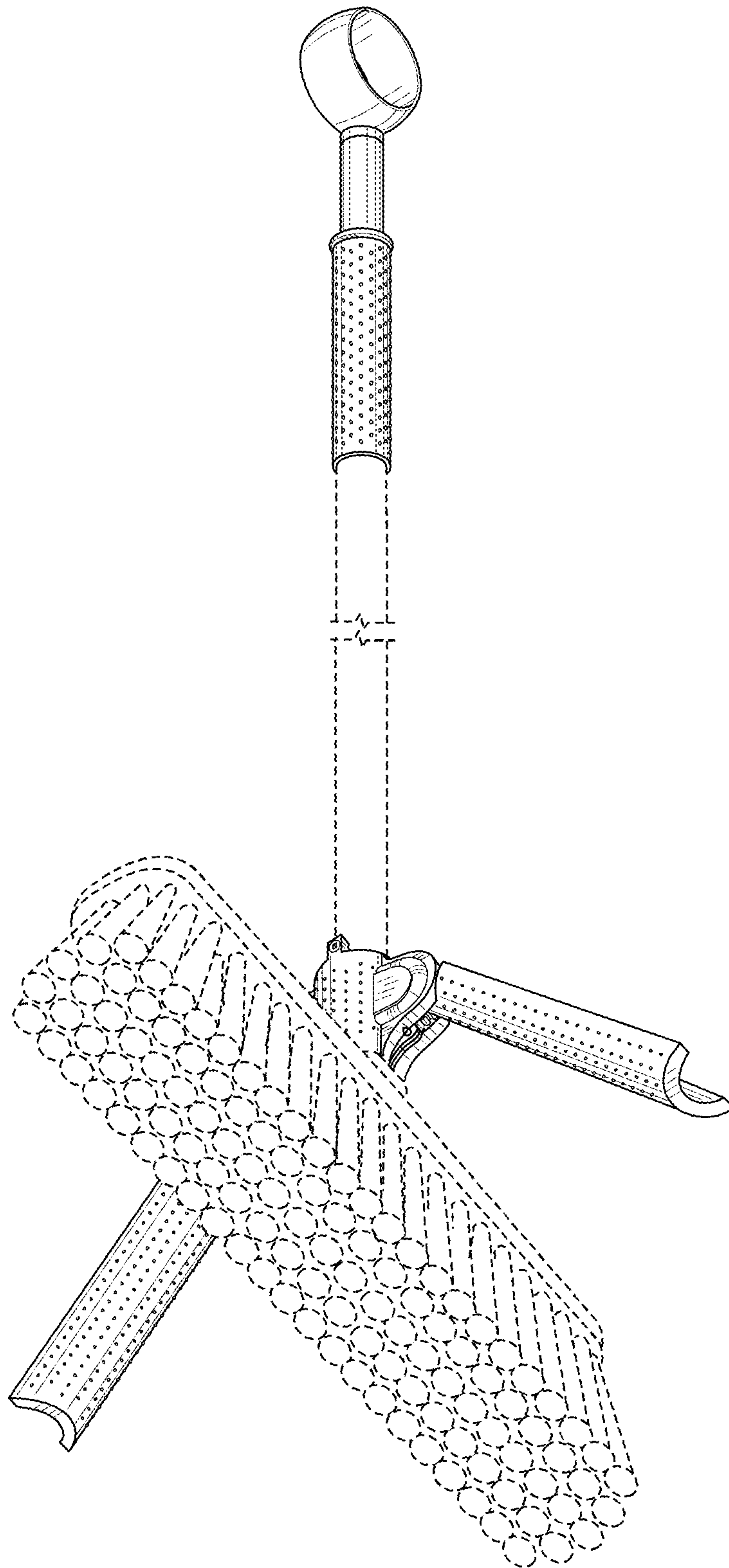


FIG. 2

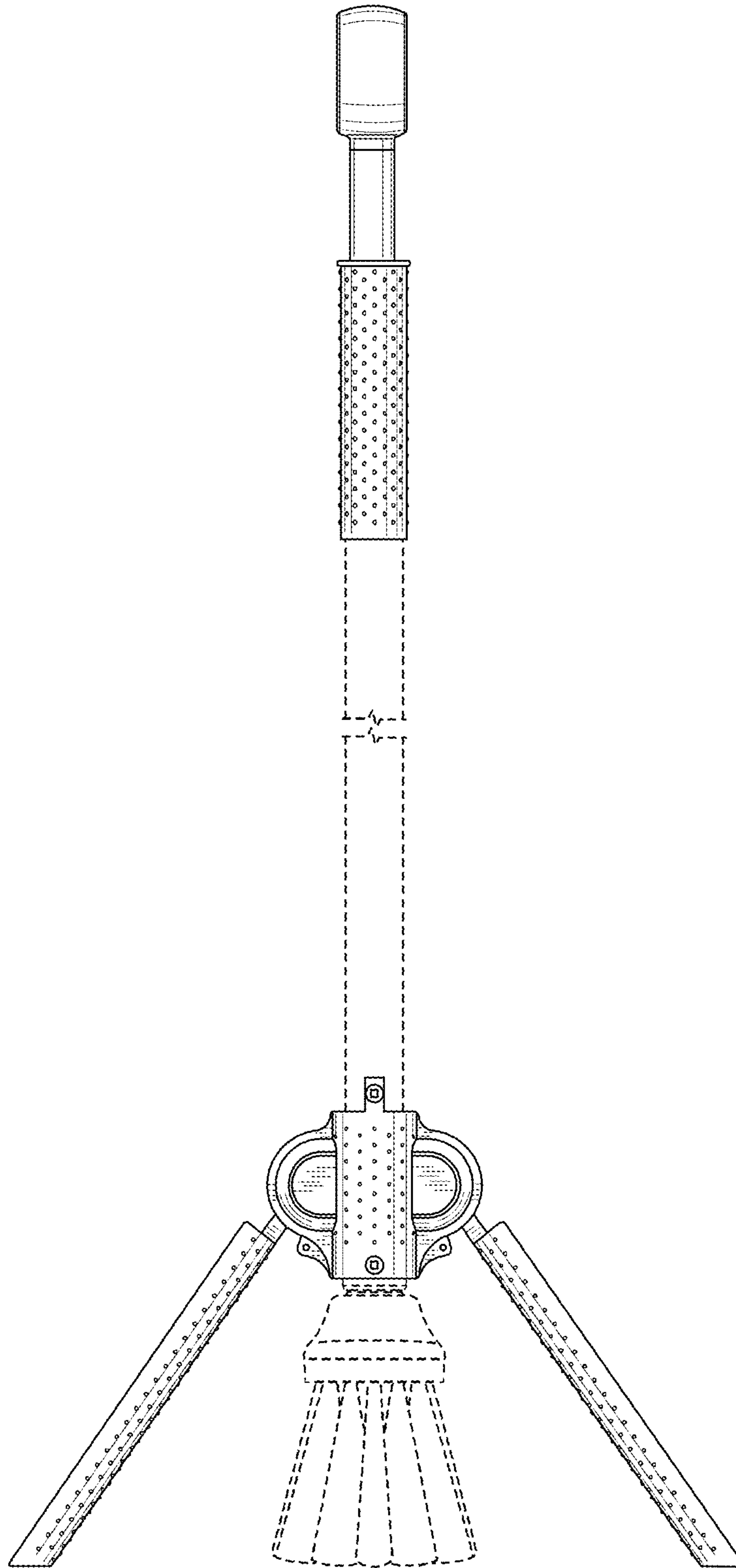


FIG. 3

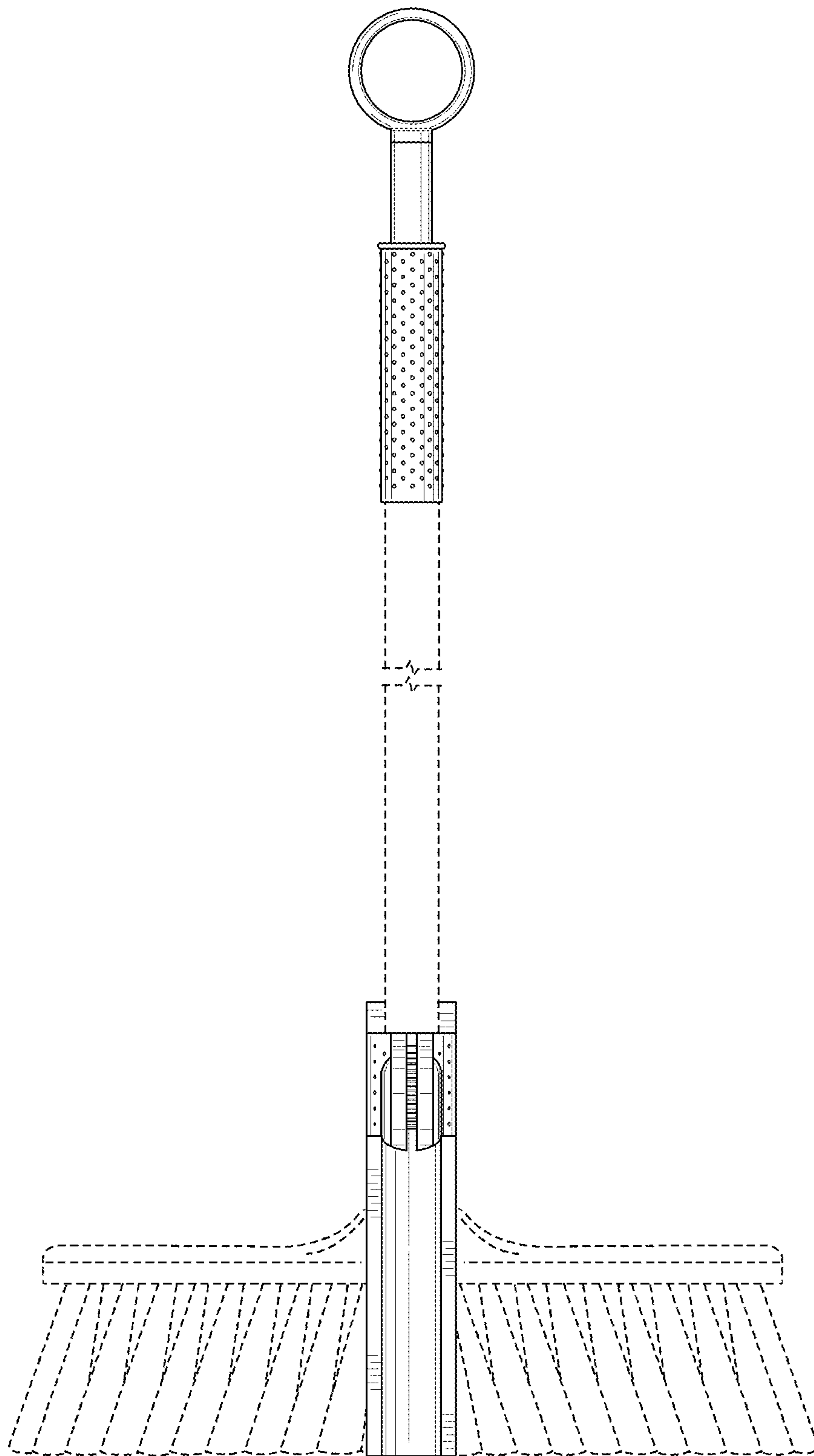


FIG. 4

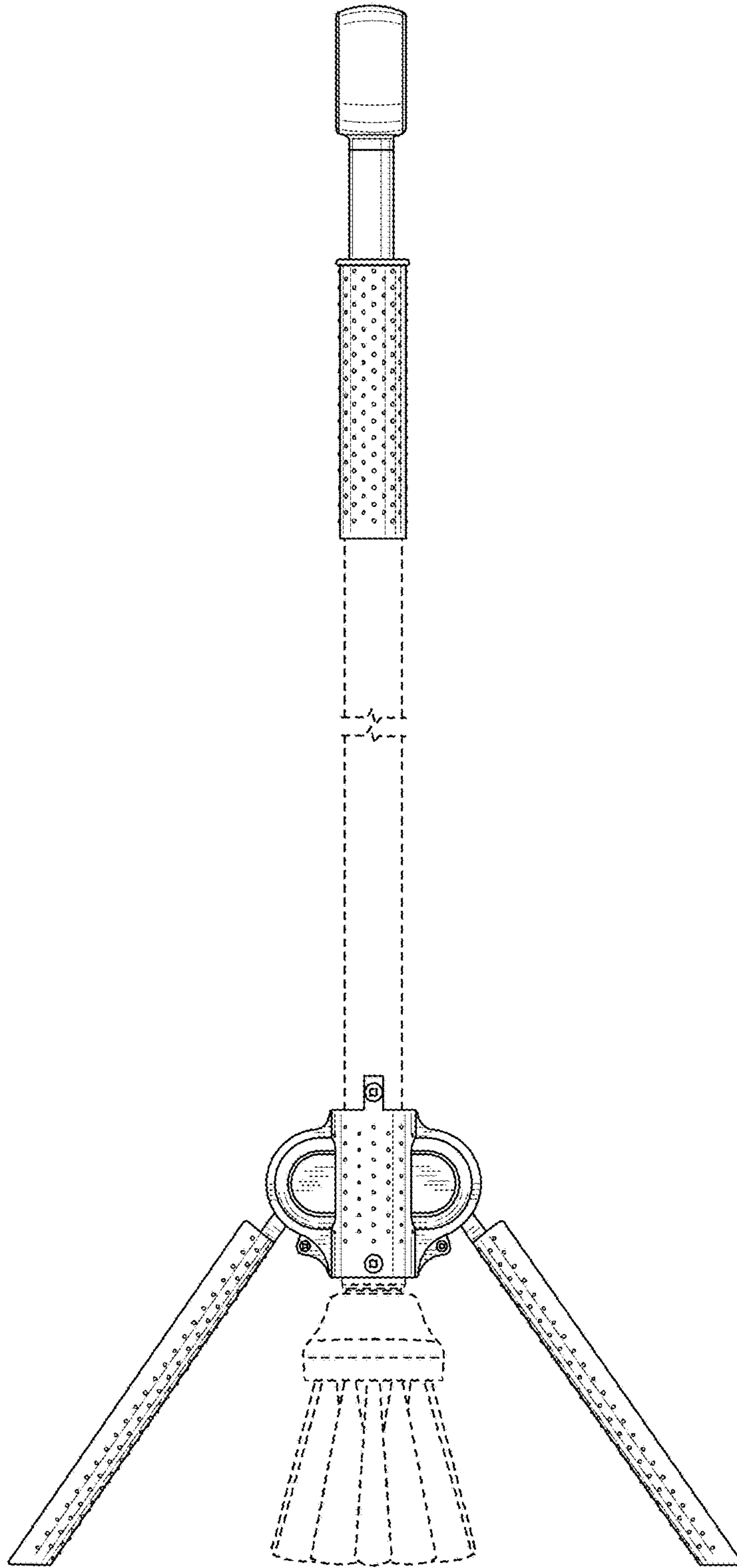


FIG. 5

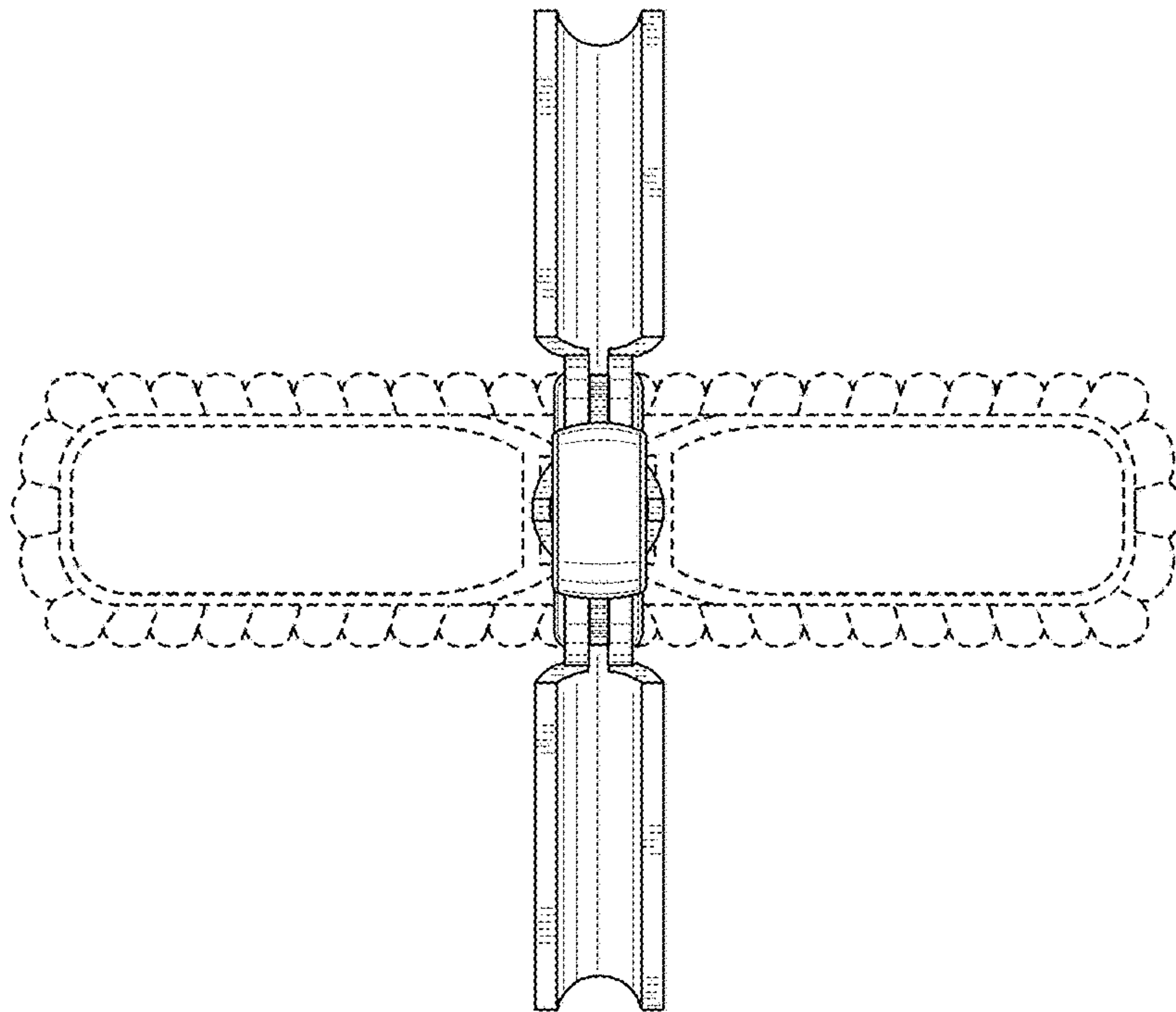


FIG. 6

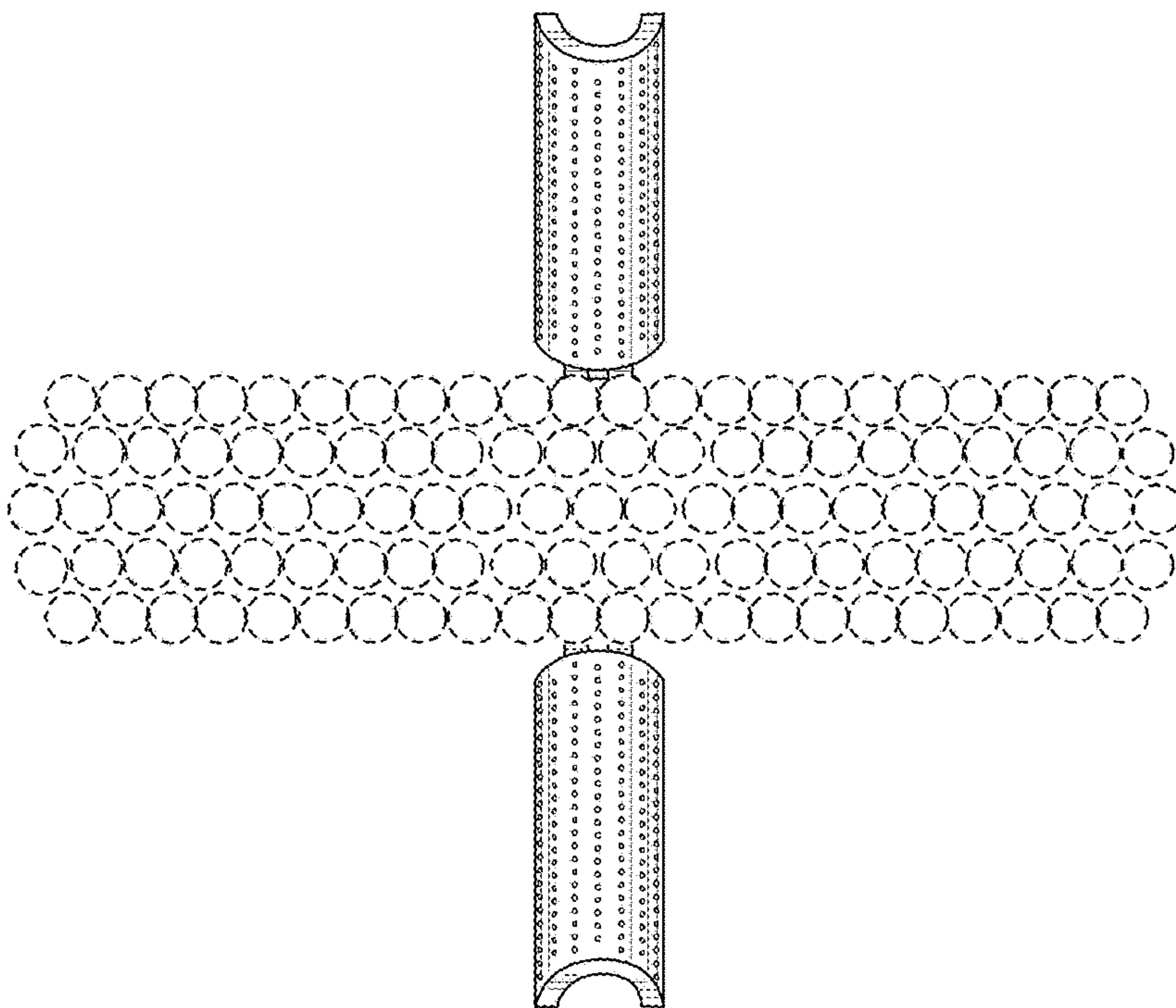


FIG. 7

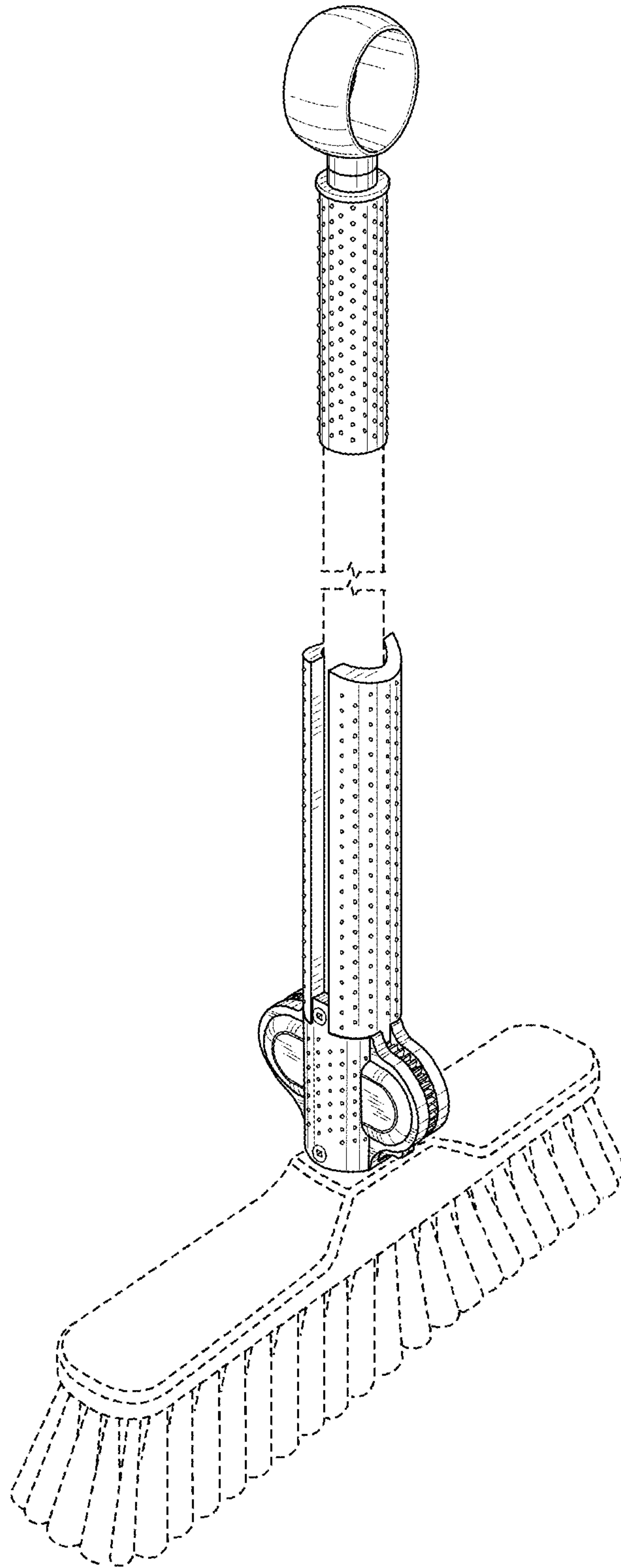


FIG. 8

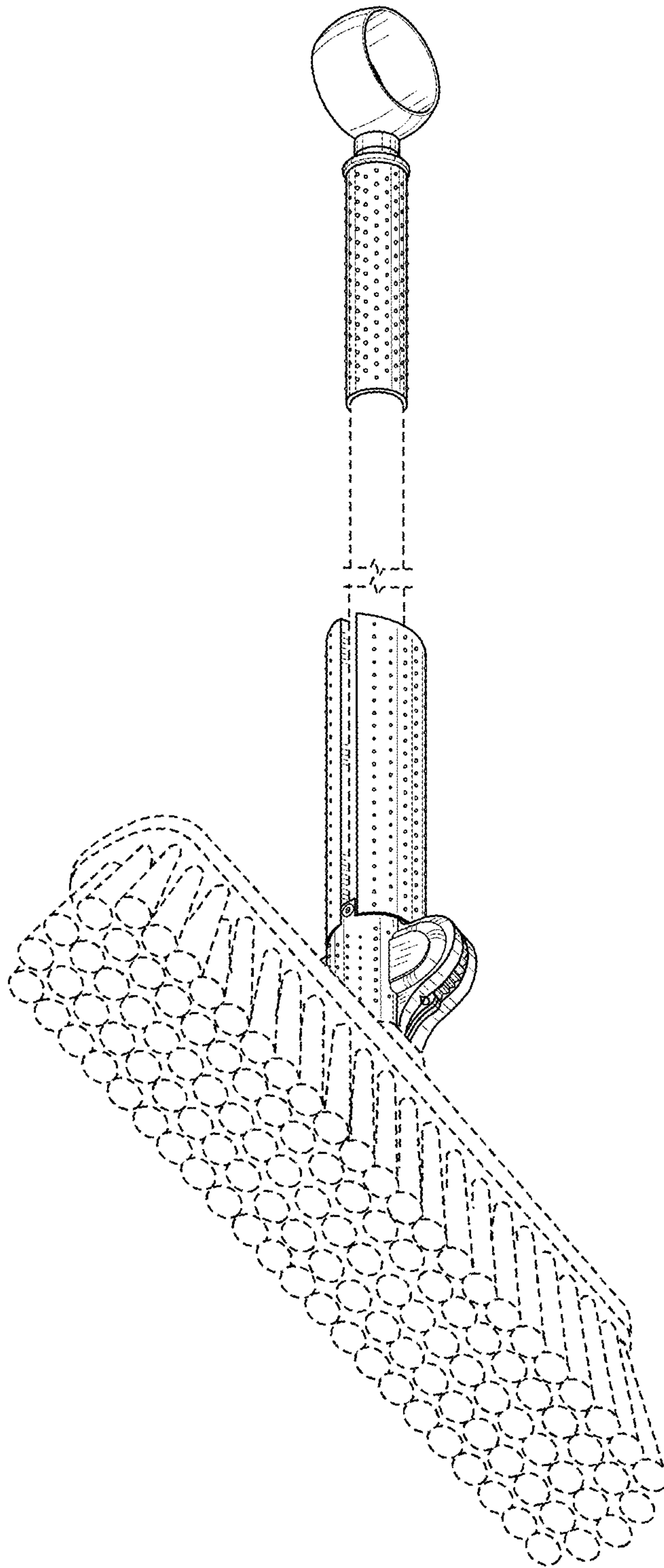


FIG. 9

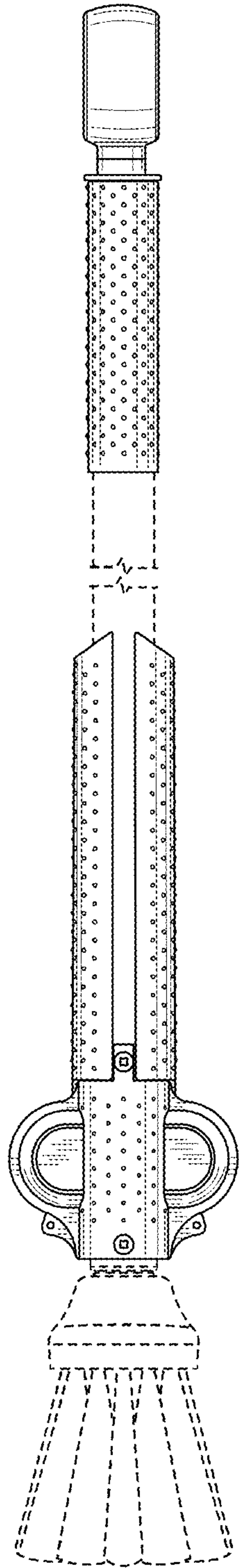


FIG. 10

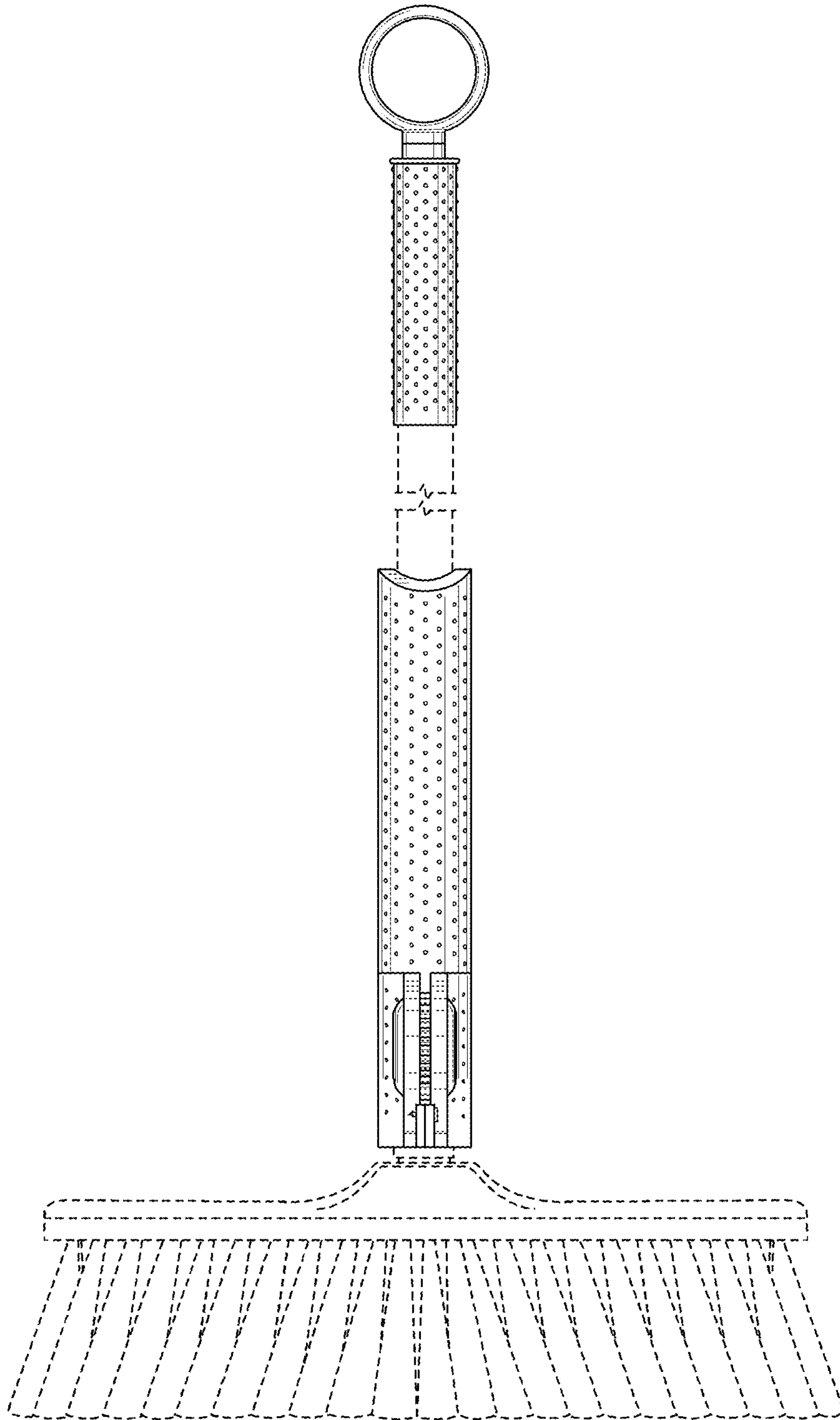


FIG. 11

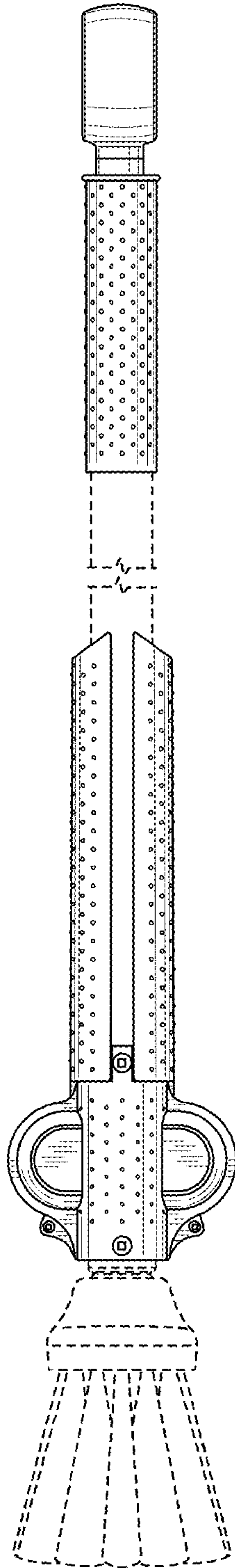


FIG. 12

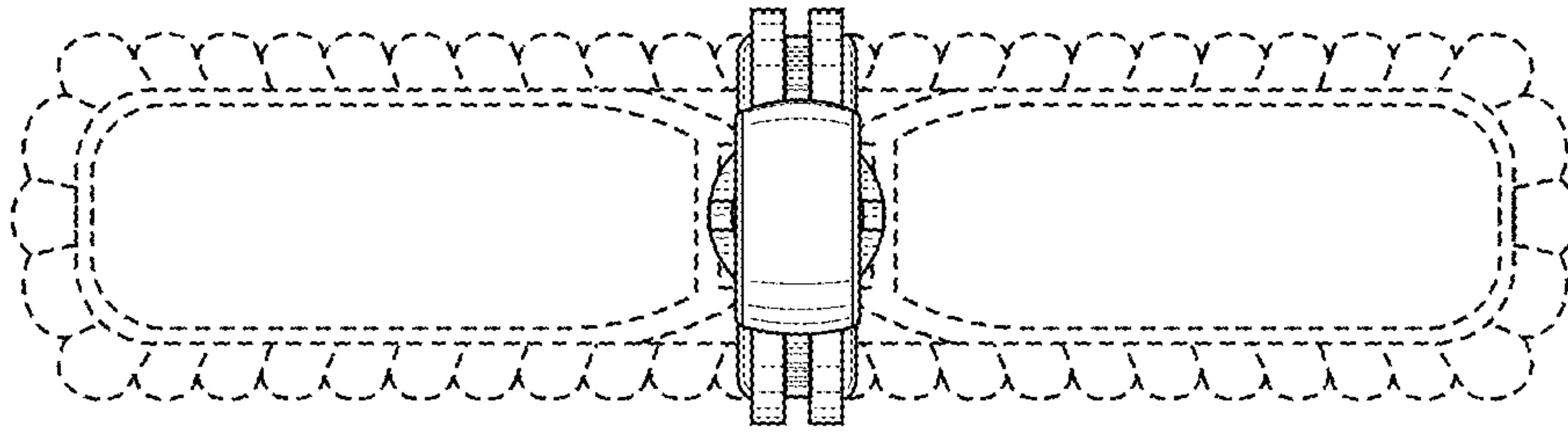


FIG. 13

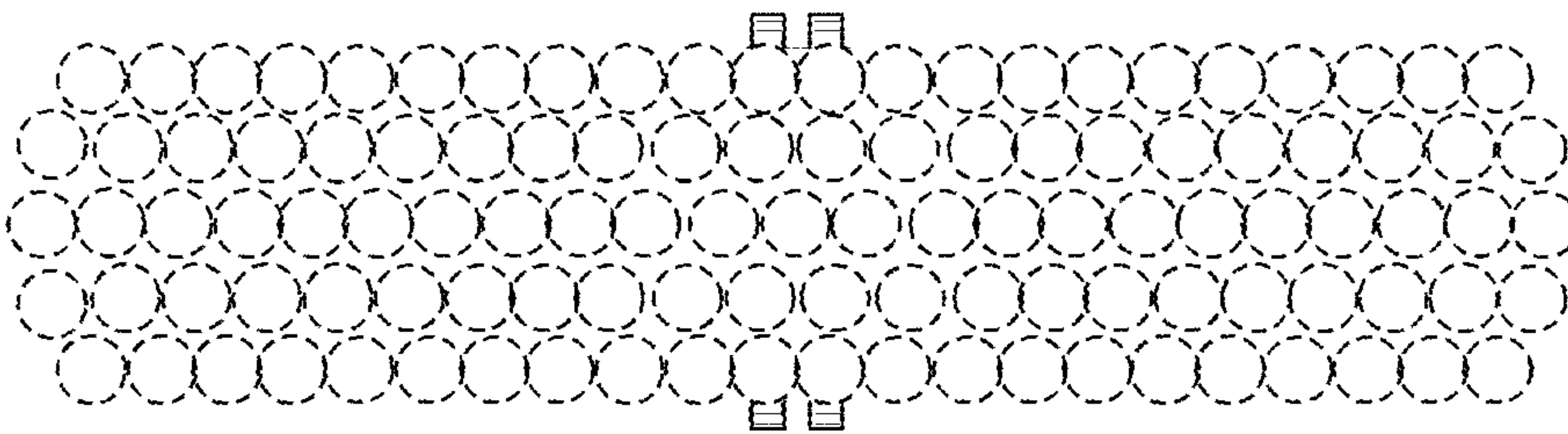


FIG. 14